



US00D345619S

# United States Patent [19]

[11] Patent Number: Des. 345,619

Hutz et al.

[45] Date of Patent: \*\* Mar. 29, 1994

[54] **SUSPENDED ADJUSTABLE LIGHTING FIXTURE**

[75] Inventors: **Rainer Hutz**, Grafelfing, Fed. Rep. of Germany; **Martin Schulz**, Jardine's Lookout, Hong Kong

[73] Assignee: **Function Form & Light Ltd.**, Kowloon, Hong Kong

[\*\*] Term: **14 Years**

[21] Appl. No.: **897,339**

[22] Filed: **Jun. 11, 1992**

[52] U.S. Cl. .... **D26/64; D26/63**

[58] Field of Search ..... **362/147, 269, 275, 285, 362/418, 419, 427; D26/60-66**

[56] **References Cited**

**U.S. PATENT DOCUMENTS**

- D. 254,575 3/1980 Strignano ..... D26/66
- D. 261,180 10/1981 Lugin ..... D26/66
- D. 316,154 4/1991 Gecchelin ..... D26/63
- 3,388,246 6/1968 Bailey ..... D26/64 X

*Primary Examiner*—Susan J. Lucas

*Attorney, Agent, or Firm*—John F. A. Earley; John F. A. Earley, III

[57] **CLAIM**

The ornamental design for a suspended adjustable lighting fixture, as shown and described.

**DESCRIPTION**

FIG. 1 is a view in front elevation of the suspended adjustable lighting fixture constructed in accordance with this invention.

FIG. 2 is a view in side elevation of the suspended adjustable lighting fixture looking from the left of FIG. 1;

FIG. 3 is a view in rear elevation of the suspended adjustable lighting fixture;

FIG. 4 is a view in side elevation looking from the left of FIG. 3;

FIG. 5 is a view in bottom plan of the suspended adjustable lighting fixture;

FIG. 6 is a view in top plan; and,

FIG. 7 is a view in perspective and shows the lower part of the lighting fixture at an angle to the horizontal. The broken lines are shown for illustrative purposes only.

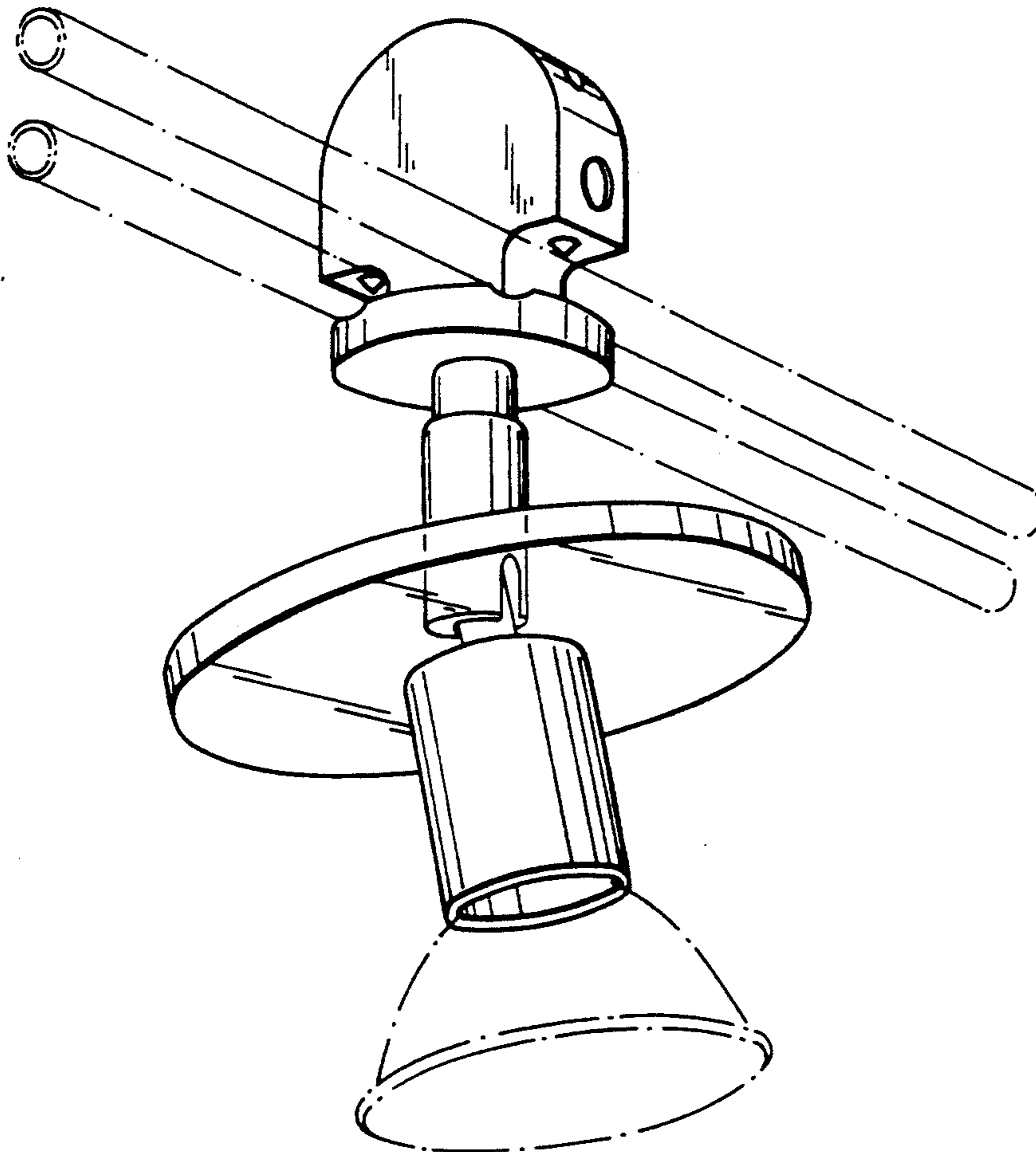


FIG. 2

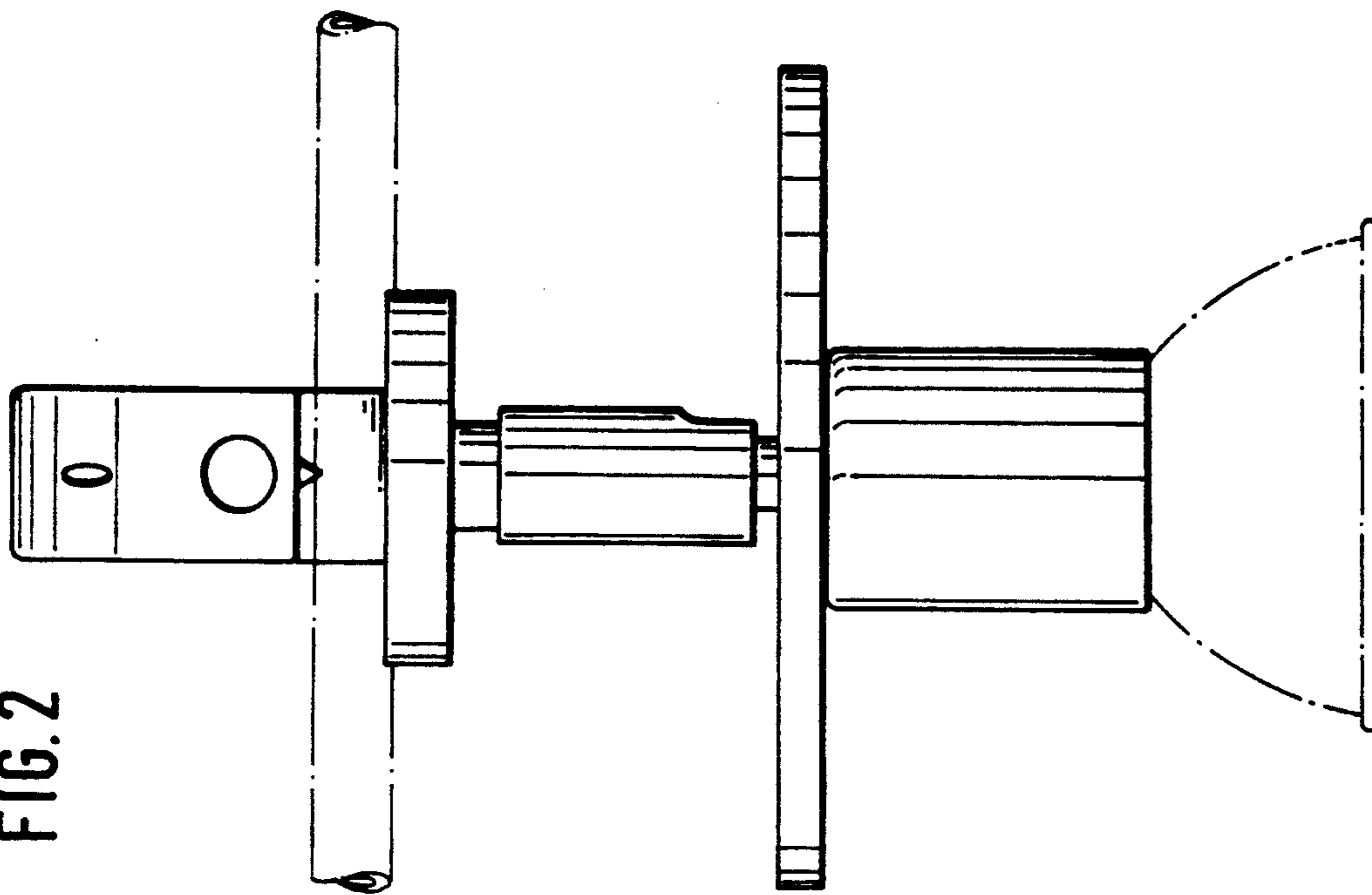


FIG. 1

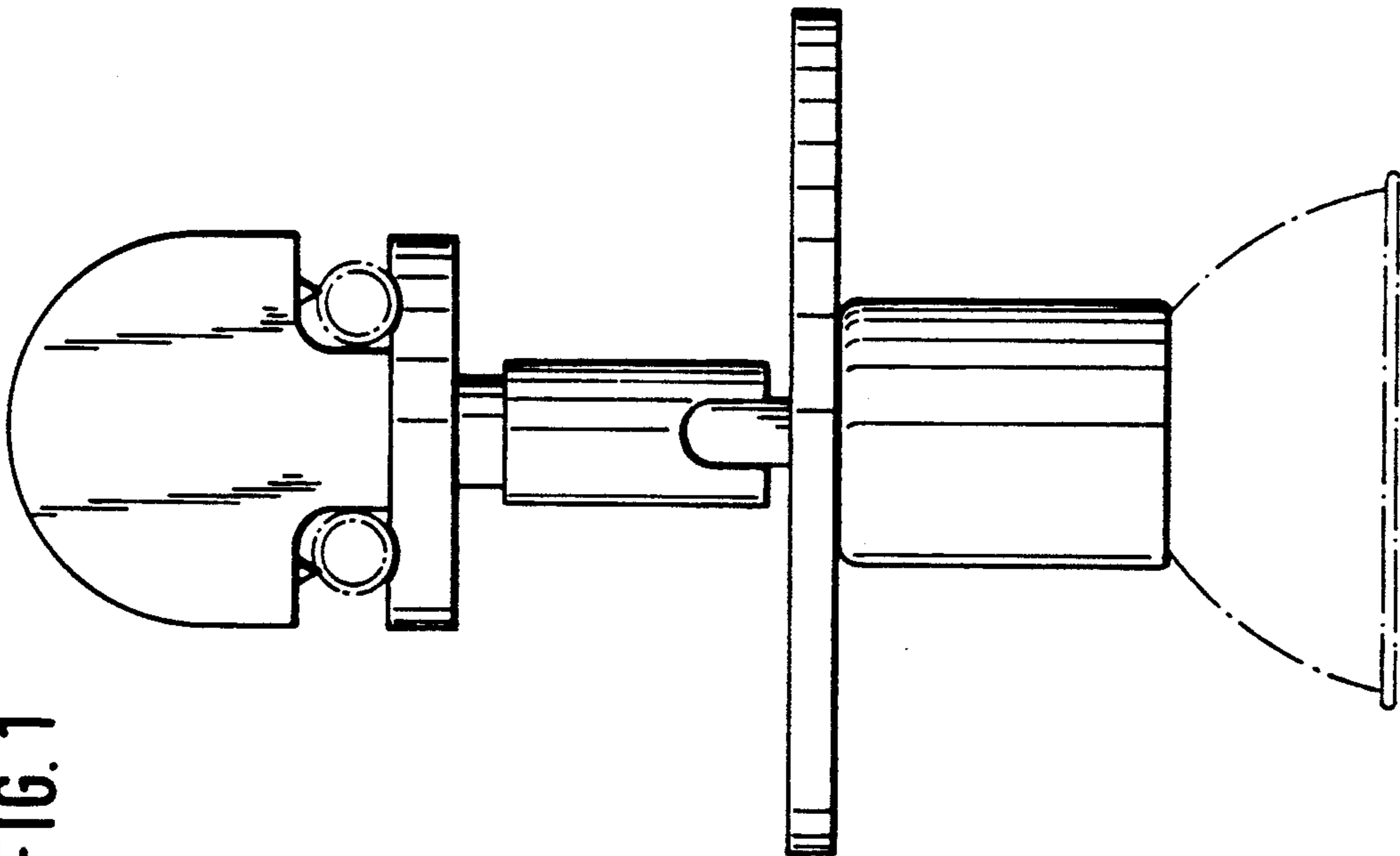


FIG. 4

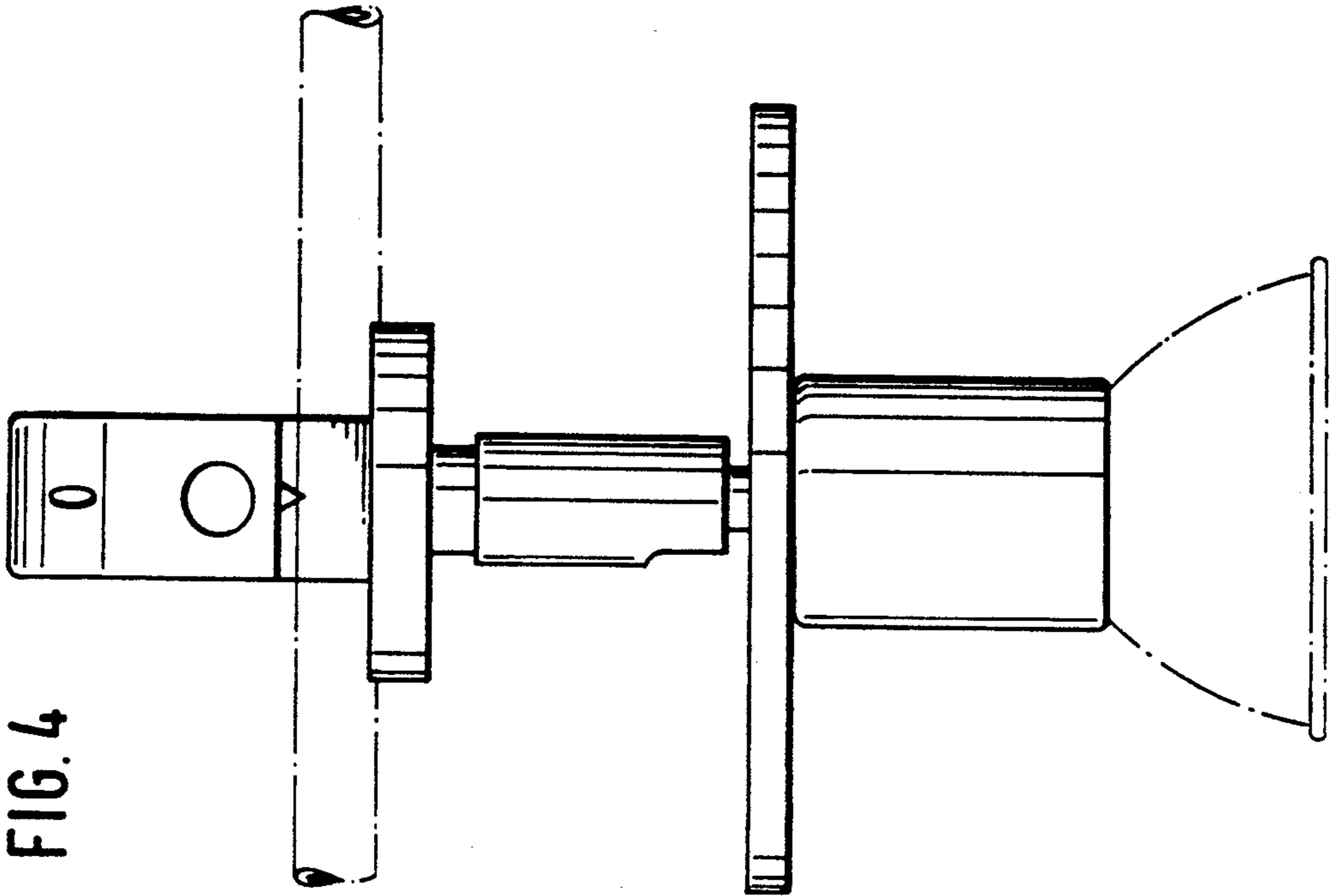


FIG. 3

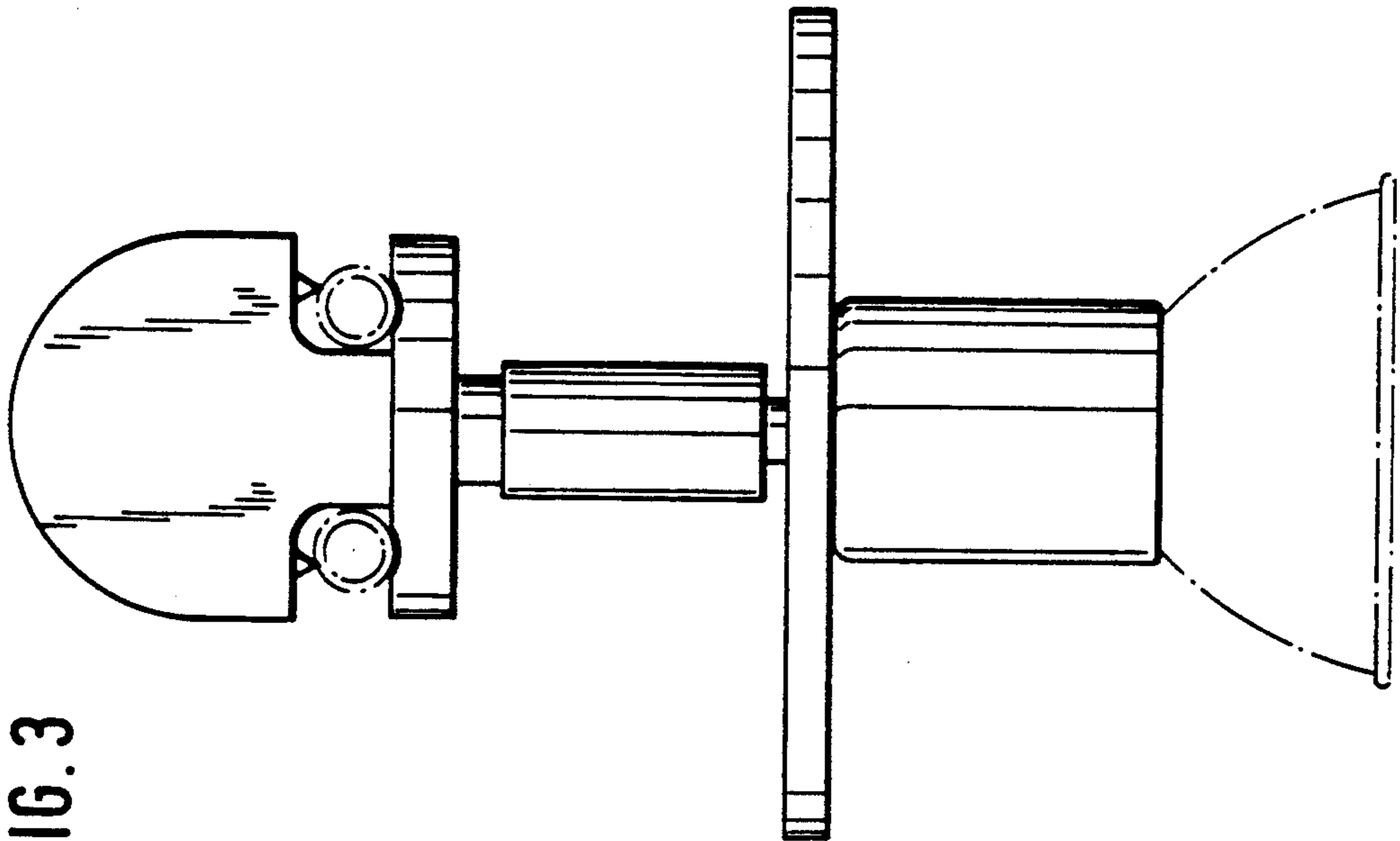


FIG. 6

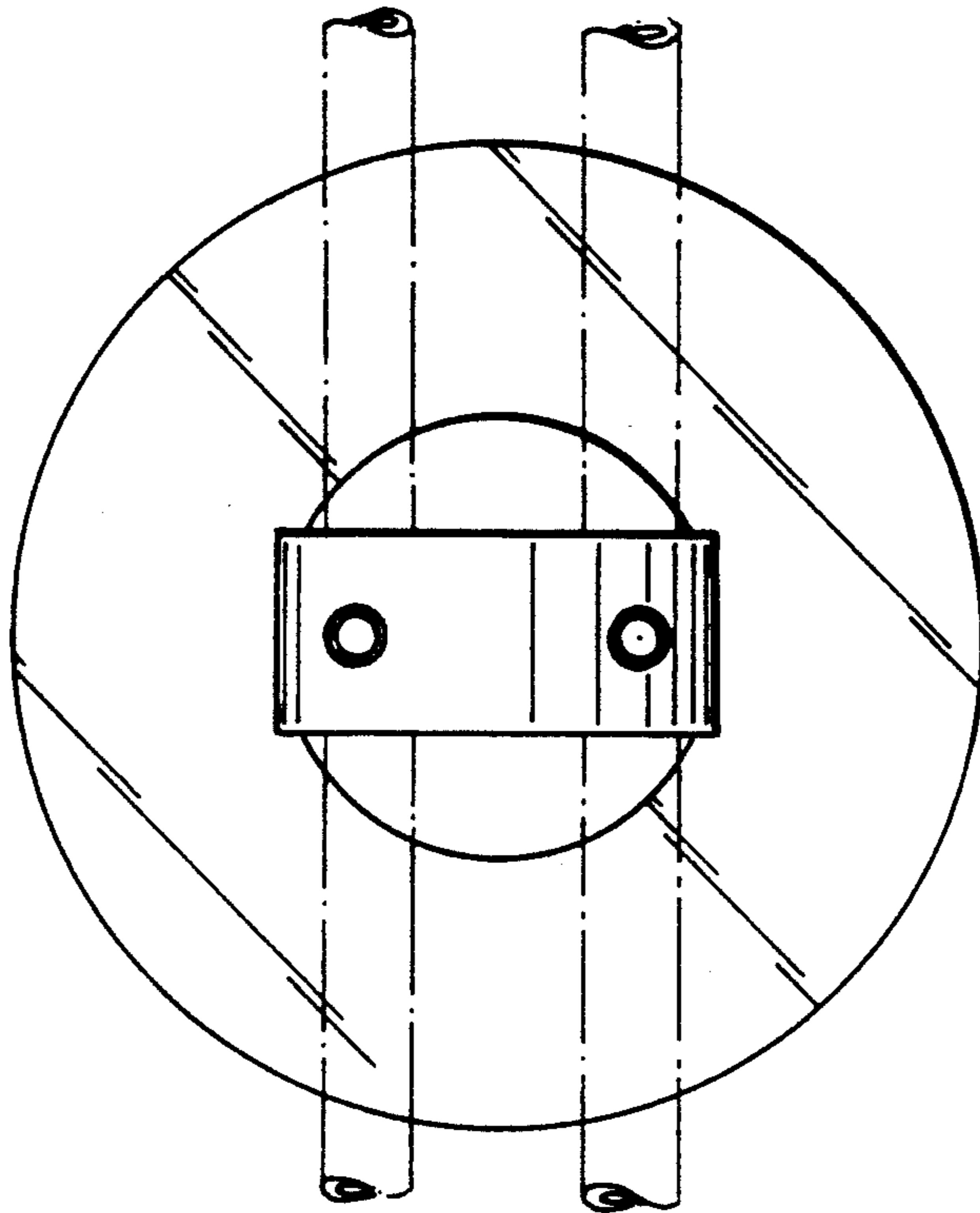


FIG. 5

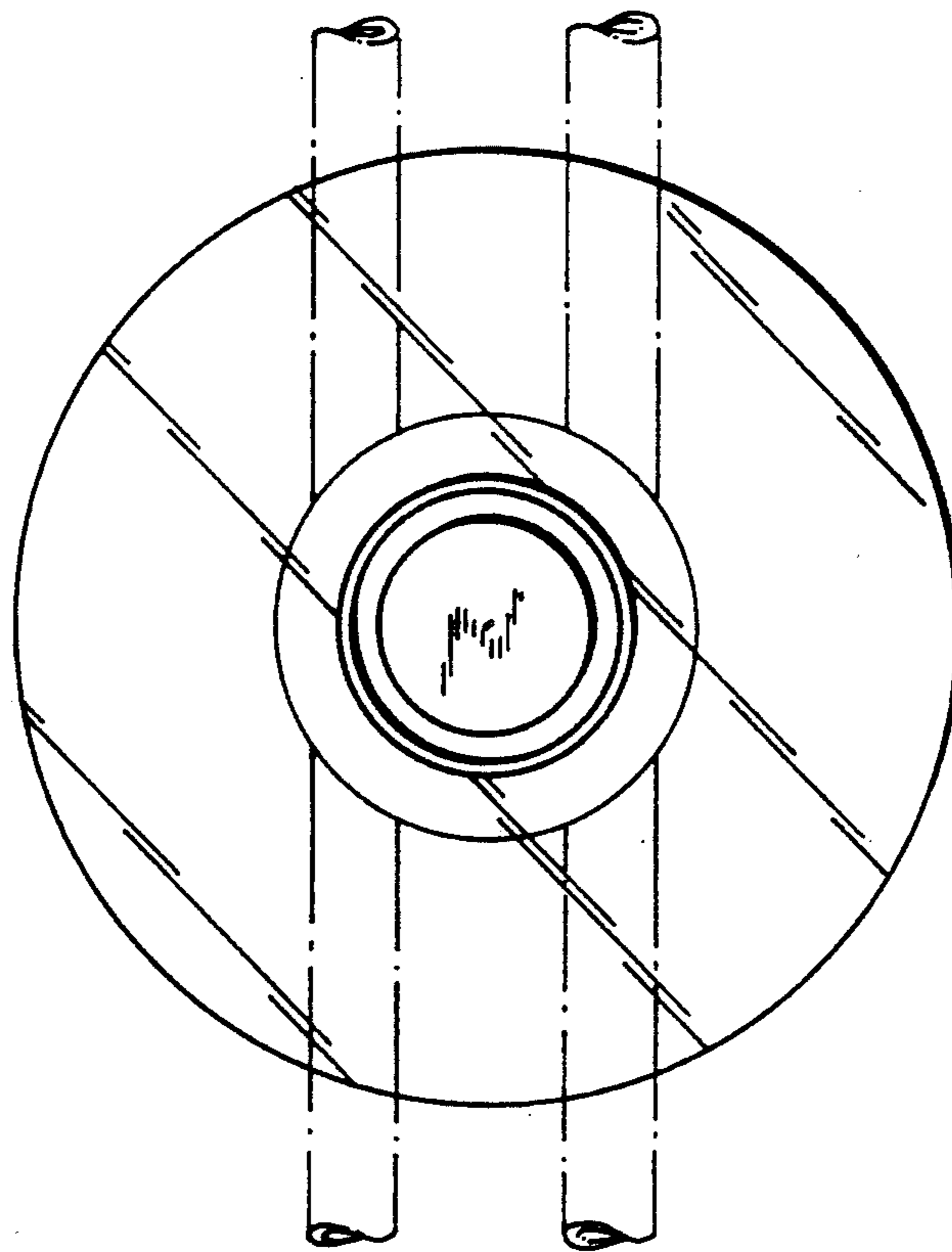


FIG. 7

