



US00D345618S

# United States Patent [19]

[11] Patent Number: **Des. 345,618**

Gonser et al.

[45] Date of Patent: **\*\* Mar. 29, 1994**

## [54] DENTAL OPERATORY LAMP

[75] Inventors: **Donald I. Gonser; Donald L. Shortledge**, both of Lancaster, Pa.

[73] Assignee: **Den-Tal-EZ, Inc.**, Audubon, Pa.

[\*\*] Term: **14 Years**

[21] Appl. No.: **851,157**

[22] Filed: **Mar. 13, 1992**

[52] U.S. Cl. .... **D26/63**

[58] Field of Search ..... 362/33, 147, 269, 275, 362/285, 418, 419, 427, 804; D26/60-65

## [56] References Cited

### U.S. PATENT DOCUMENTS

- 3,832,539 8/1974 Oram .
- 4,097,919 6/1978 Bobrick et al. .... 362/804 X
- 4,608,622 8/1986 Gonser .

## OTHER PUBLICATIONS

Den-Tal-Ez, Inc. brochure entitled "*The Anatomy of a Dental Operatory Light*", copyright 1990.

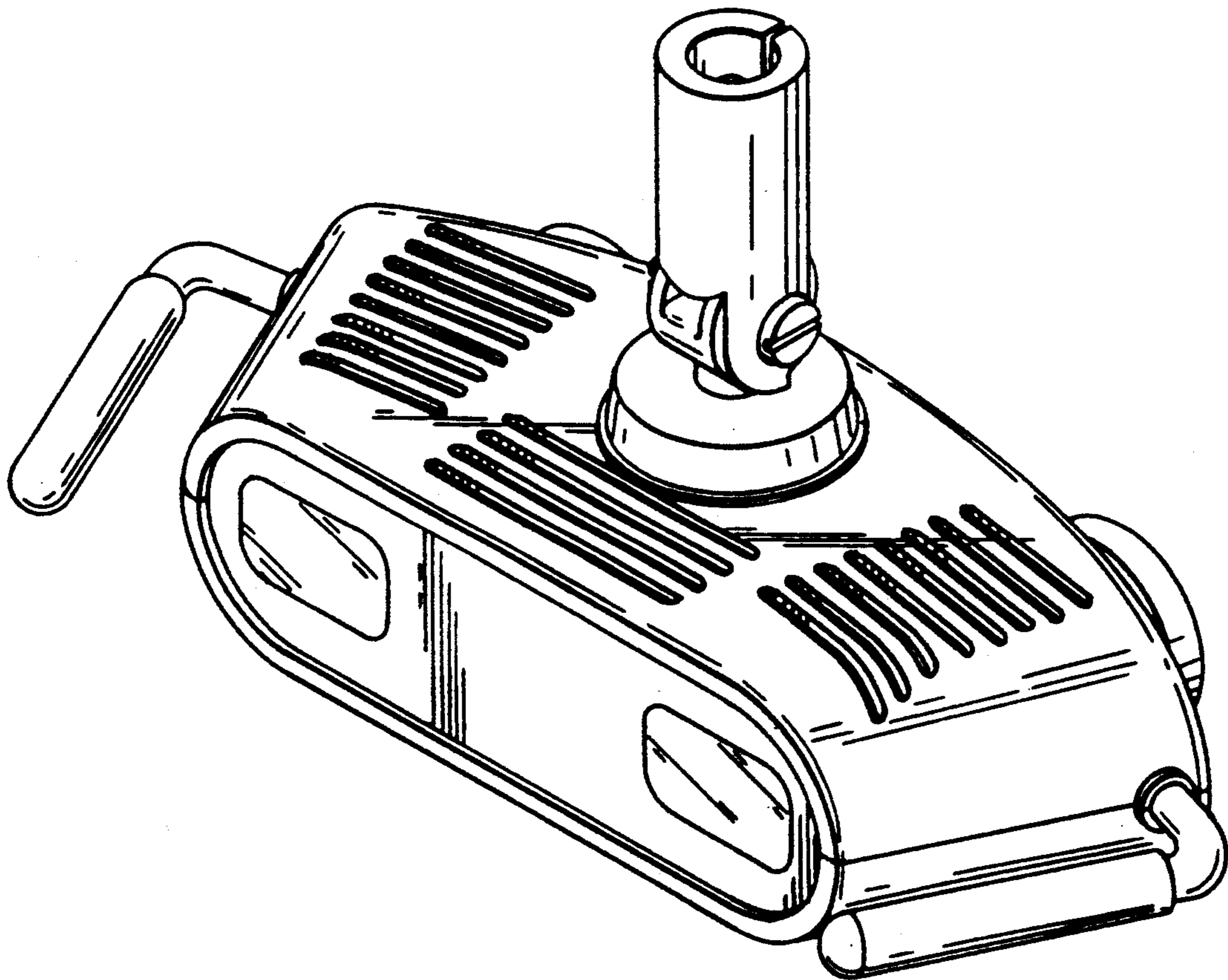
*Primary Examiner*—Susan J. Lucas  
*Attorney, Agent, or Firm*—Howson and Howson

## [57] CLAIM

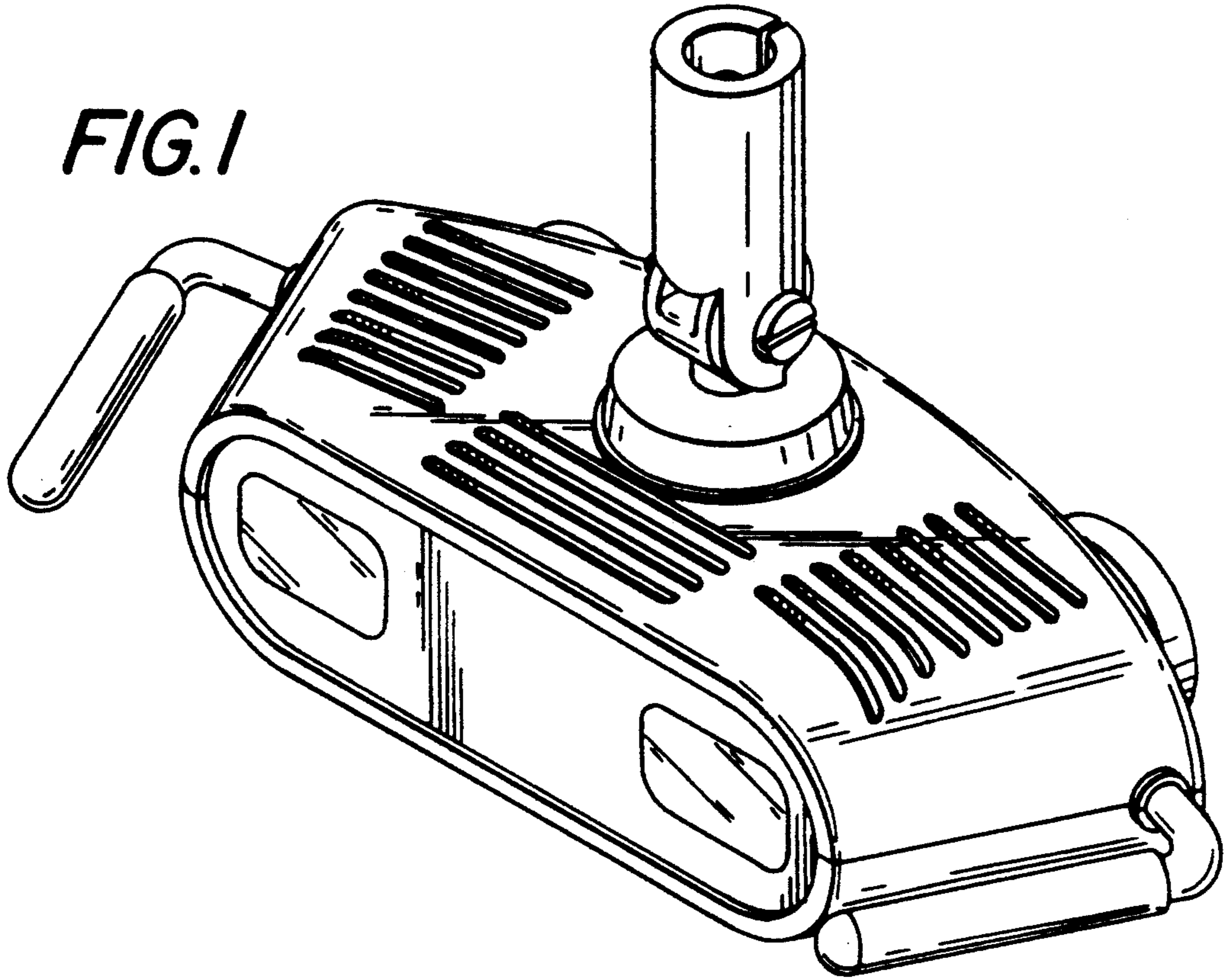
The ornamental design for a dental operatory lamp, as shown and described.

## DESCRIPTION

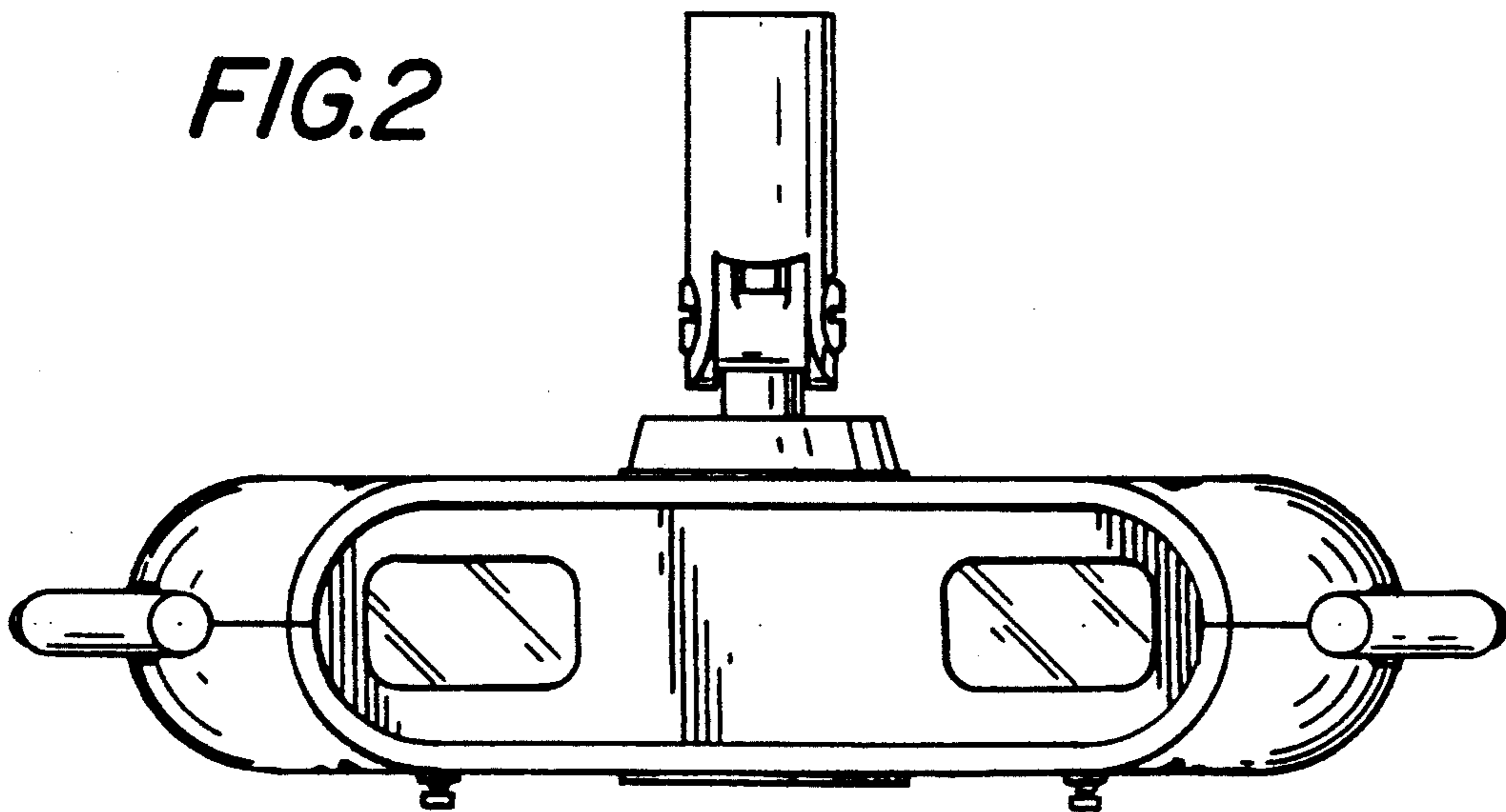
FIG. 1 is an isometric view of a dental operatory lamp embodying our new design;  
 FIG. 2 is a front elevation view thereof;  
 FIG. 3 is a top plan view thereof;  
 FIG. 4 is a bottom plan view thereof;  
 FIG. 5 is a rear elevation view thereof;  
 FIG. 6 is a left side elevation view thereof; and,  
 FIG. 7 is a right side elevation view thereof.



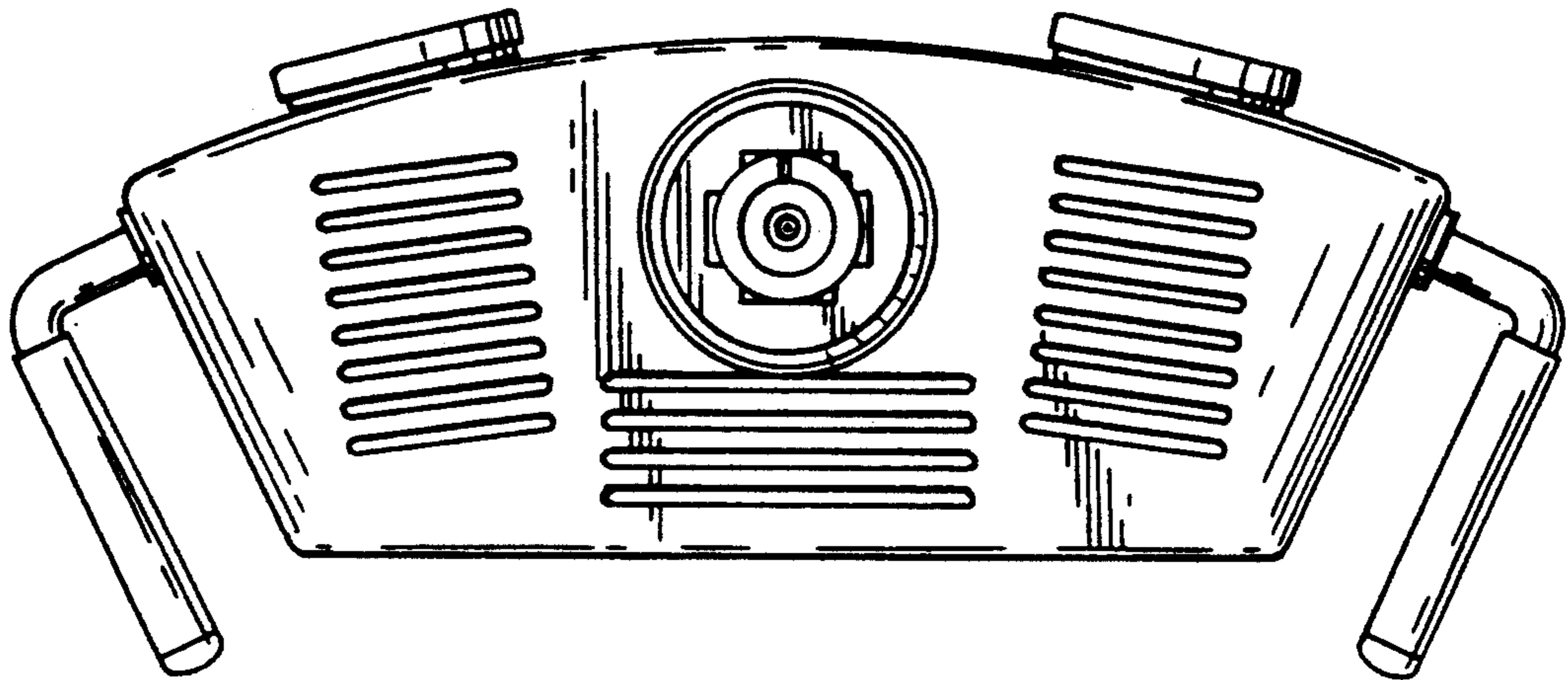
*FIG. 1*



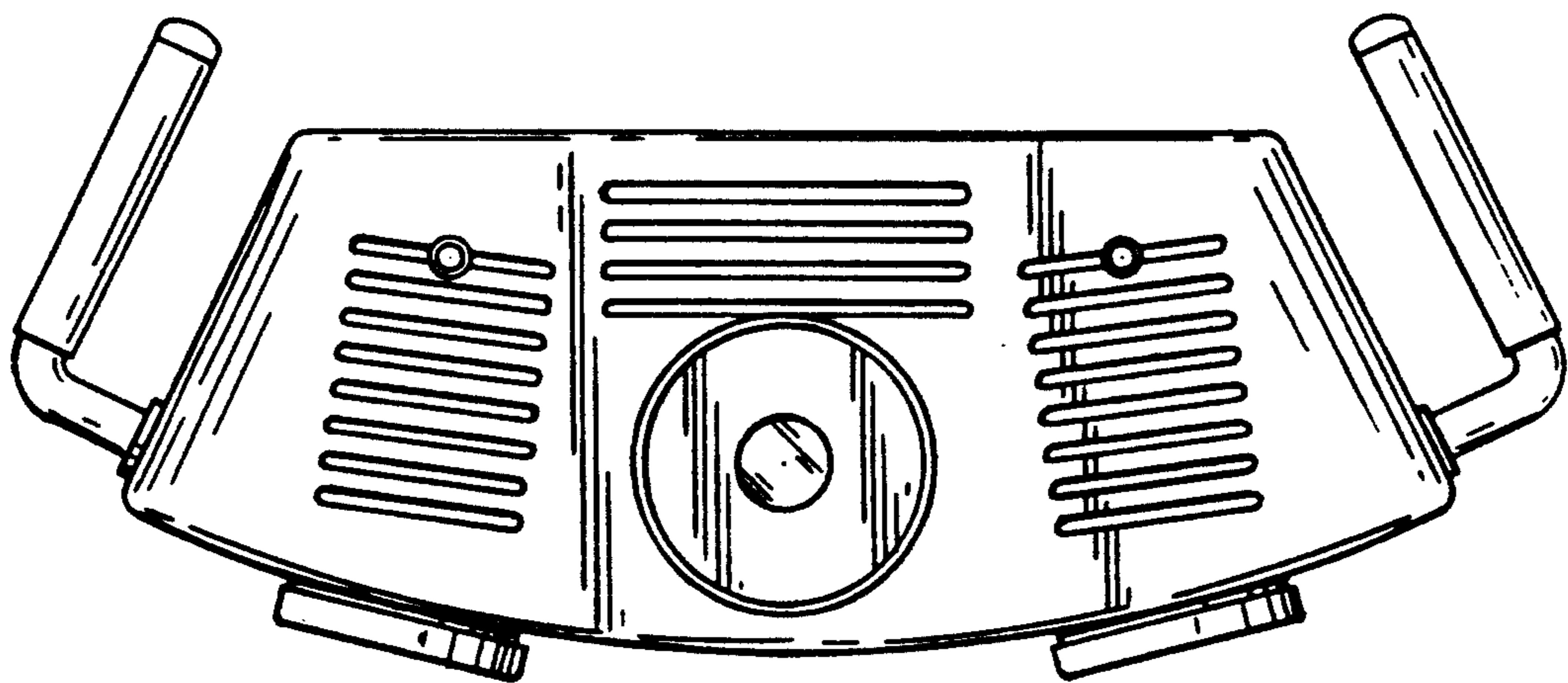
*FIG. 2*



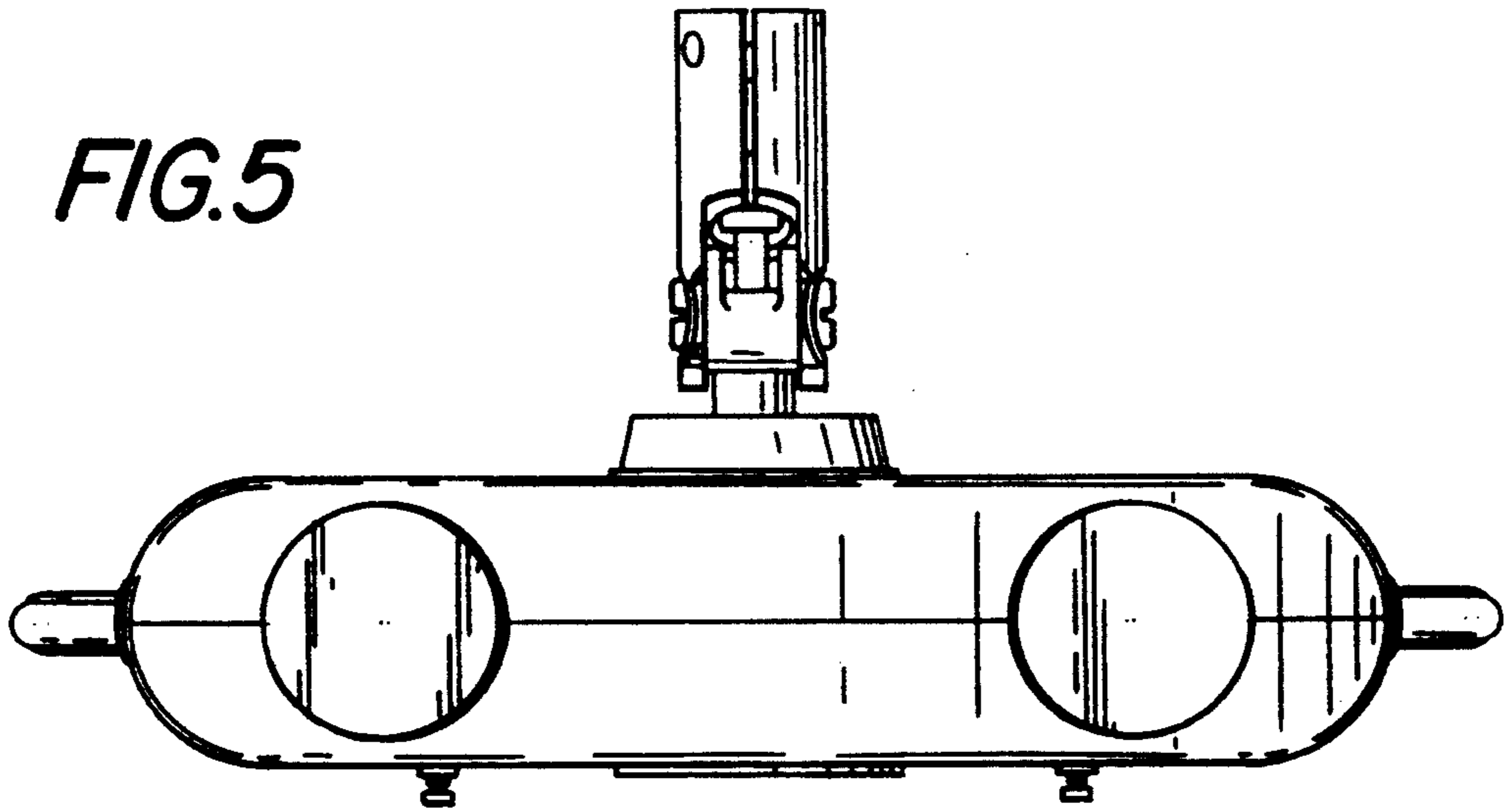
**FIG. 3**



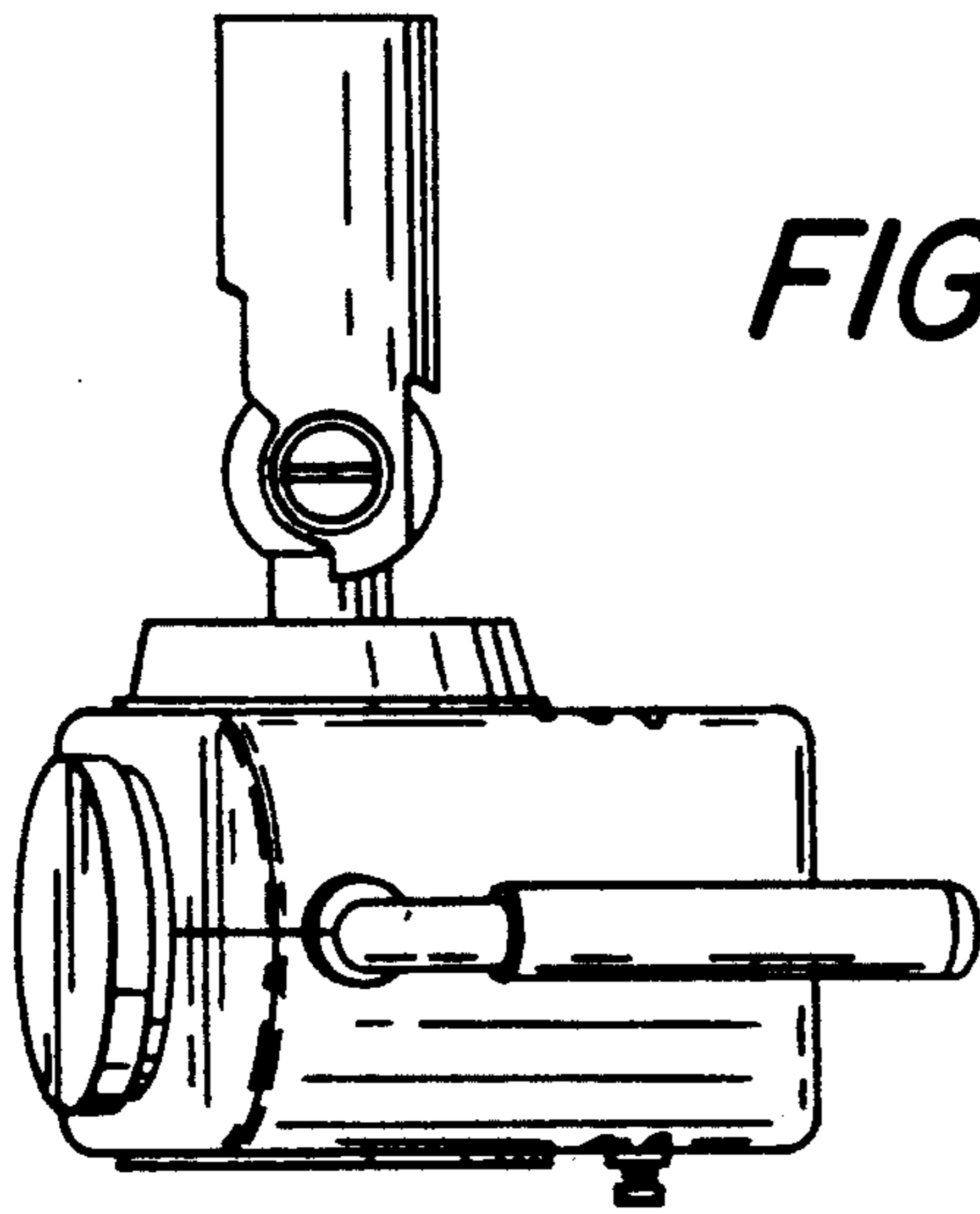
**FIG. 4**



*FIG.5*



*FIG.6*



*FIG.7*

