



US00D345614S

United States Patent [19]
Whitley, II

[11] **Patent Number: Des. 345,614**
[45] **Date of Patent: ** Mar. 29, 1994**

- [54] **MARINE BOW/COURTESY LIGHT**
- [75] **Inventor: Warwick M. Whitley, II, Lynn Haven, Fla.**
- [73] **Assignee: Attwood Corporation, Lowell, Mich.**
- [**] **Term: 14 Years**
- [21] **Appl. No.: 860,360**
- [22] **Filed: Mar. 30, 1992**
- [52] **U.S. Cl. D26/28**
- [58] **Field of Search 362/61, 80, 80.1, 83, 362/83.3; D26/28-36**

3,927,314 12/1975 Wiggerman .

OTHER PUBLICATIONS

Perko catalog, p. 5.
Perko catalog, Section A, pp. A2-A12, about 1981.
Attwood Product Catalog 1987/1988, pp. 27-38.
Attwood Catalog 1991-1992, pp. 25-38.

Primary Examiner—Susan J. Lucas
Attorney, Agent, or Firm—Price, Heneveld, Cooper, DeWitt & Litton

CLAIM

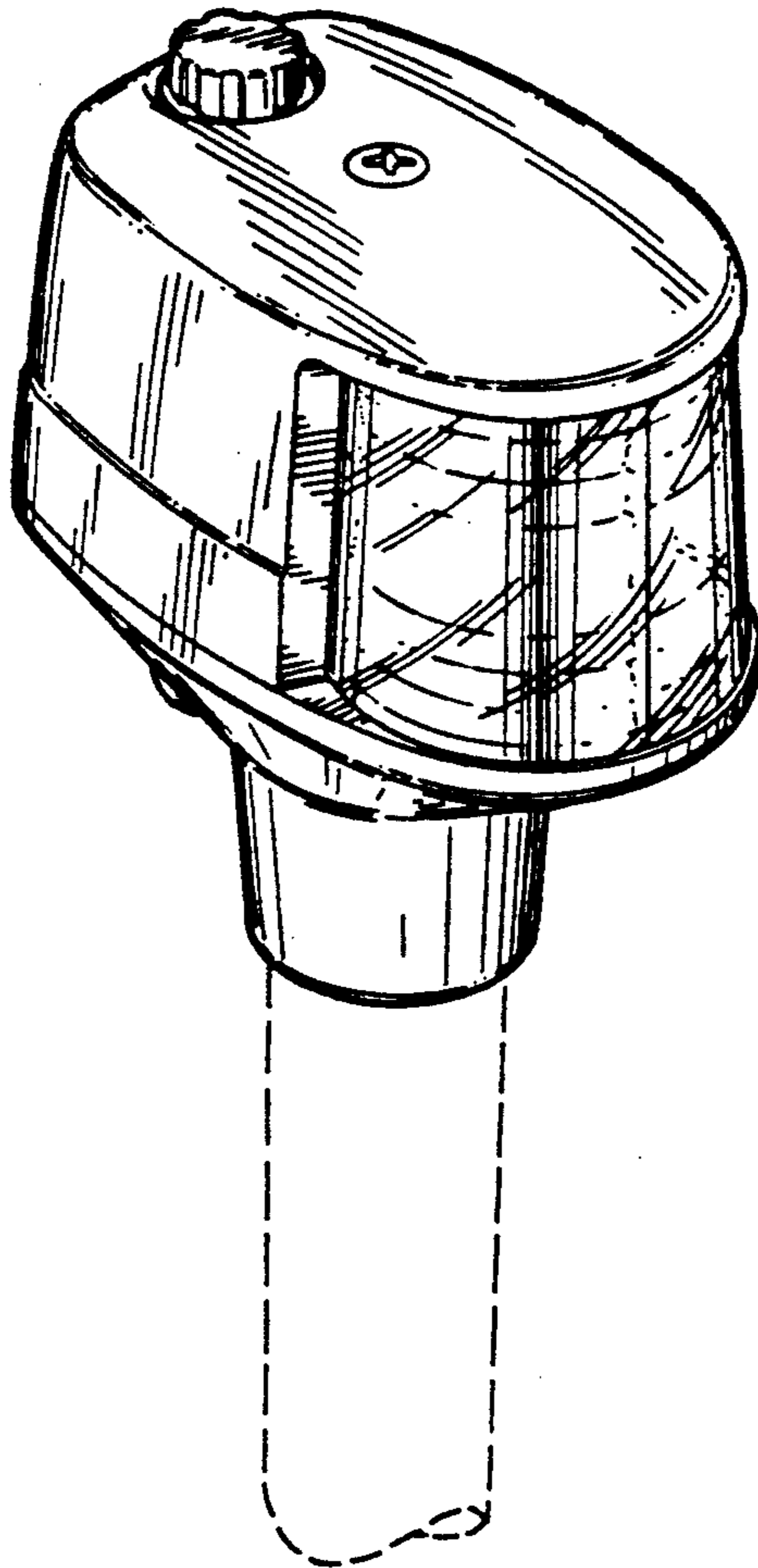
[57] The ornamental design for a marine bow/courtesy light, as shown and described.

DESCRIPTION

FIG. 1 is a front and side perspective view of a marine bow/courtesy light showing my new design;
FIG. 2 is a front elevational view thereof;
FIG. 3 is a rear elevational view thereof;
FIG. 4 is a side elevational view of one side thereof, the other side being a mirror image;
FIG. 5 is a top plan view thereof; and,
FIG. 6 is a bottom plan view thereof.

[56] **References Cited**
U.S. PATENT DOCUMENTS

D. 219,477	12/1970	Stewart .	
D. 220,120	3/1971	Stewart	D26/28
D. 231,795	6/1974	Brudy	D26/28
D. 294,973	3/1988	Bowman	D26/28
D. 294,974	3/1988	Gresens	D26/28
D. 295,680	5/1988	Whitley, II	D26/28
D. 309,784	8/1990	Whitley, II	D26/28
3,833,800	9/1974	Stewart et al.	362/61



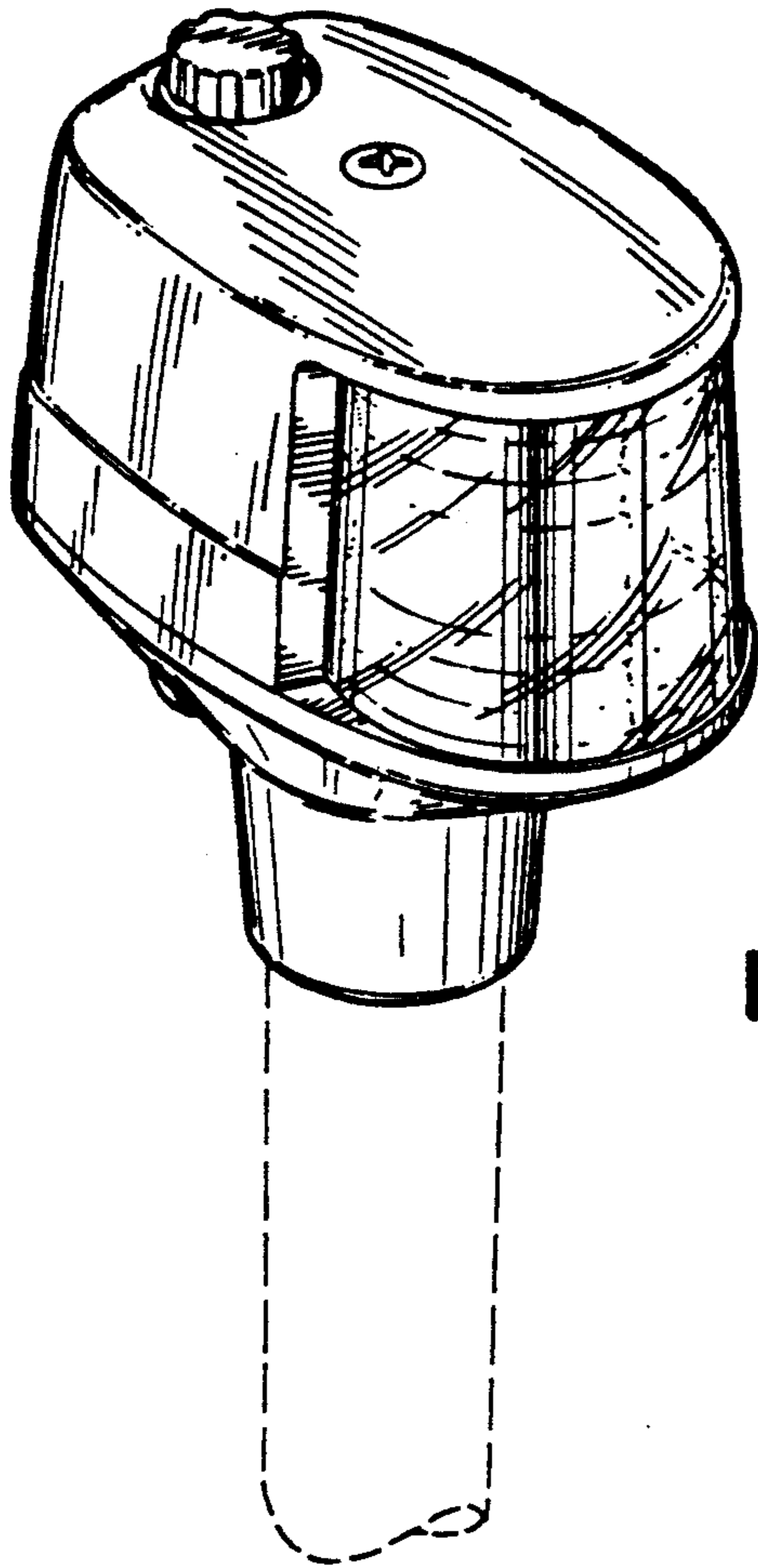


FIG. 1

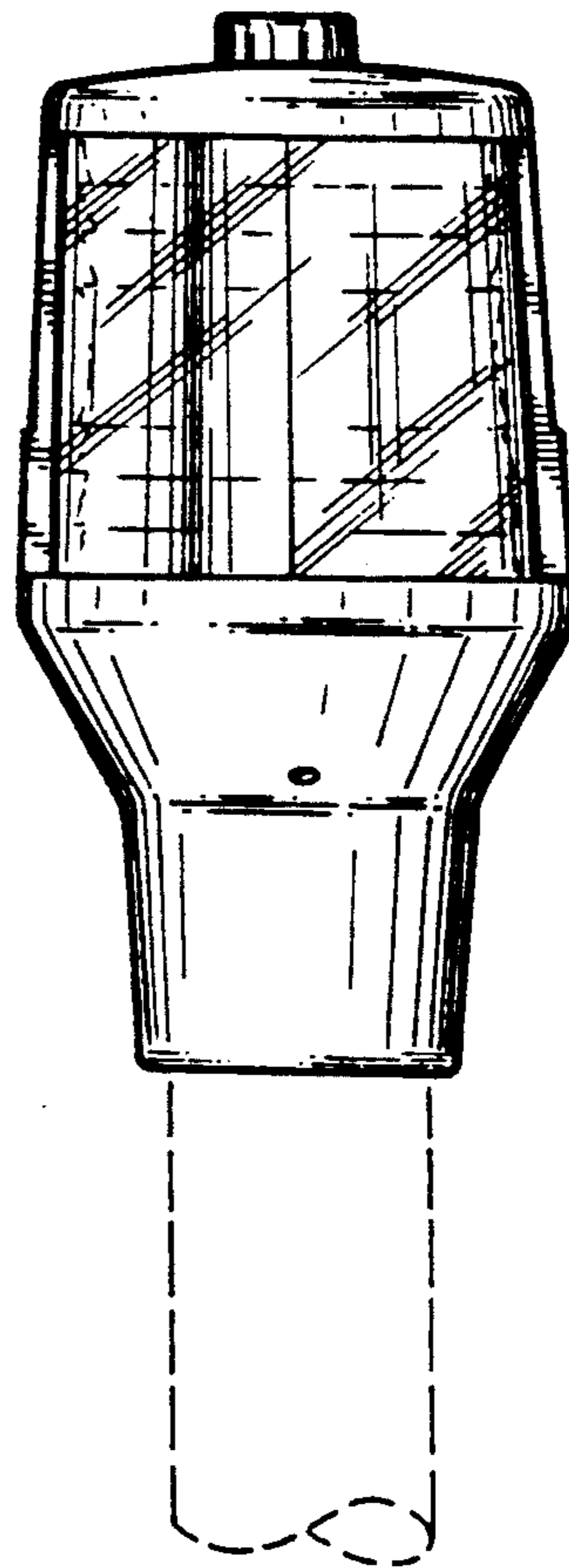


FIG. 2

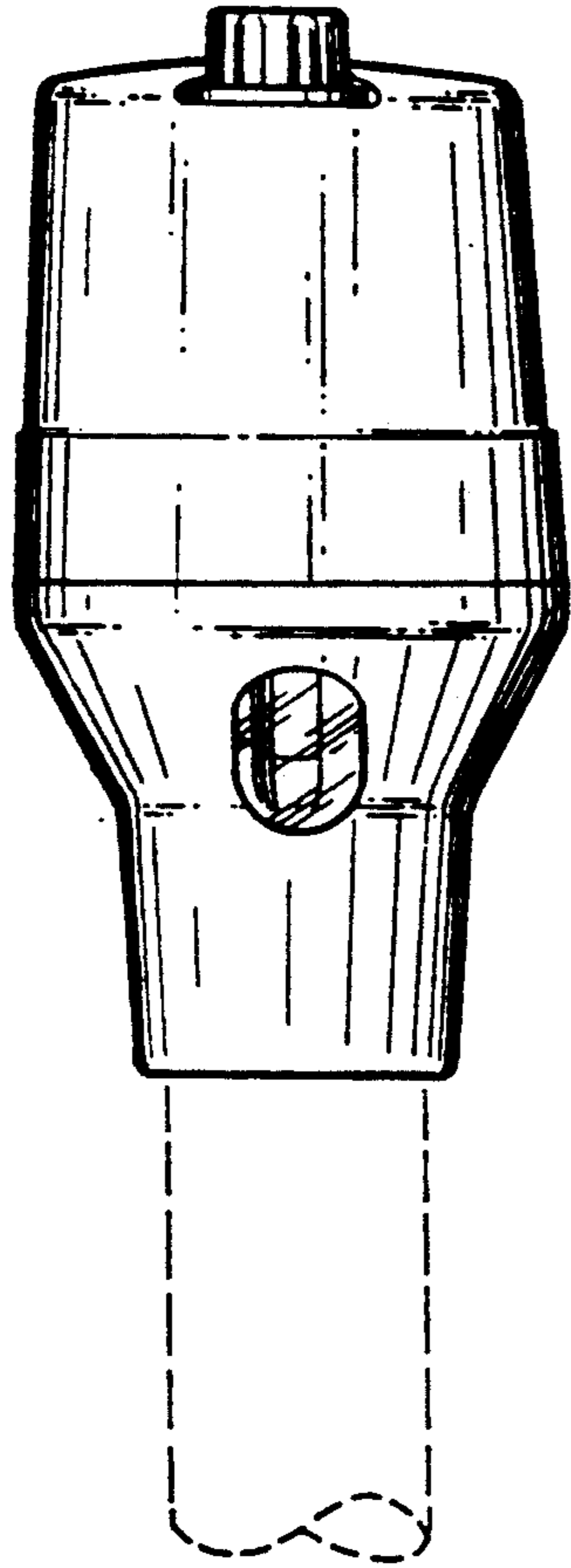


FIG. 3

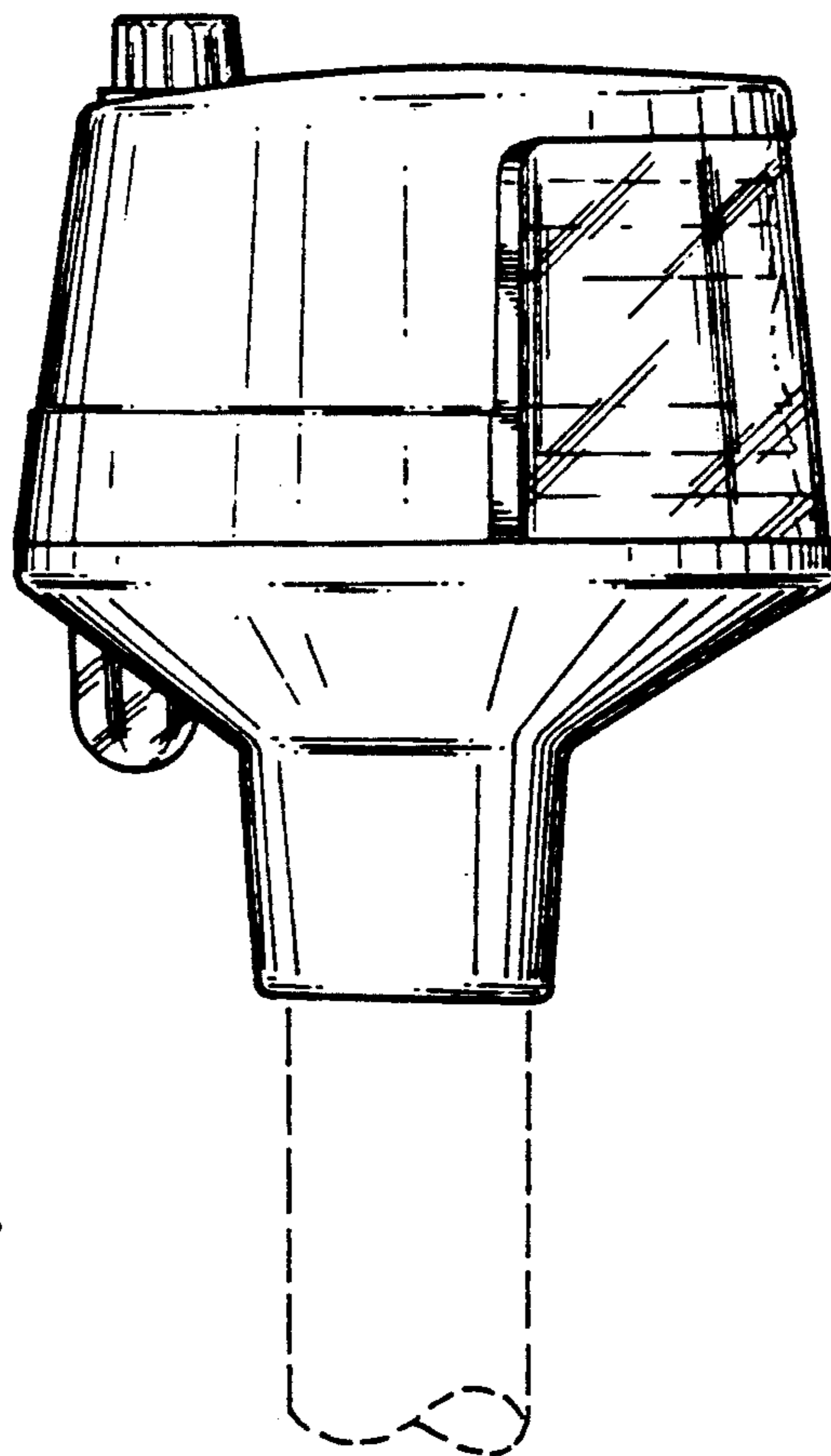


FIG. 4

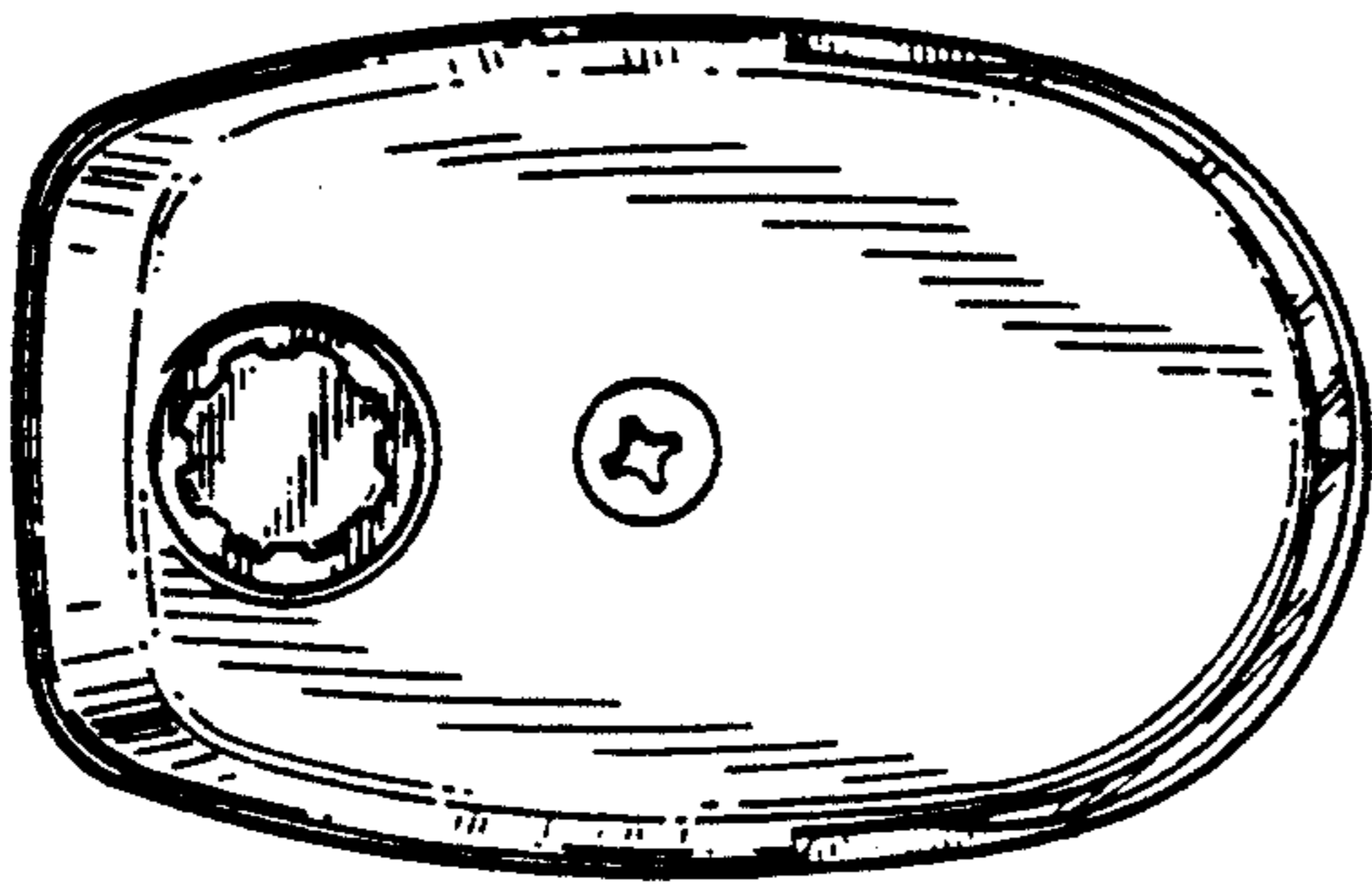


FIG. 5

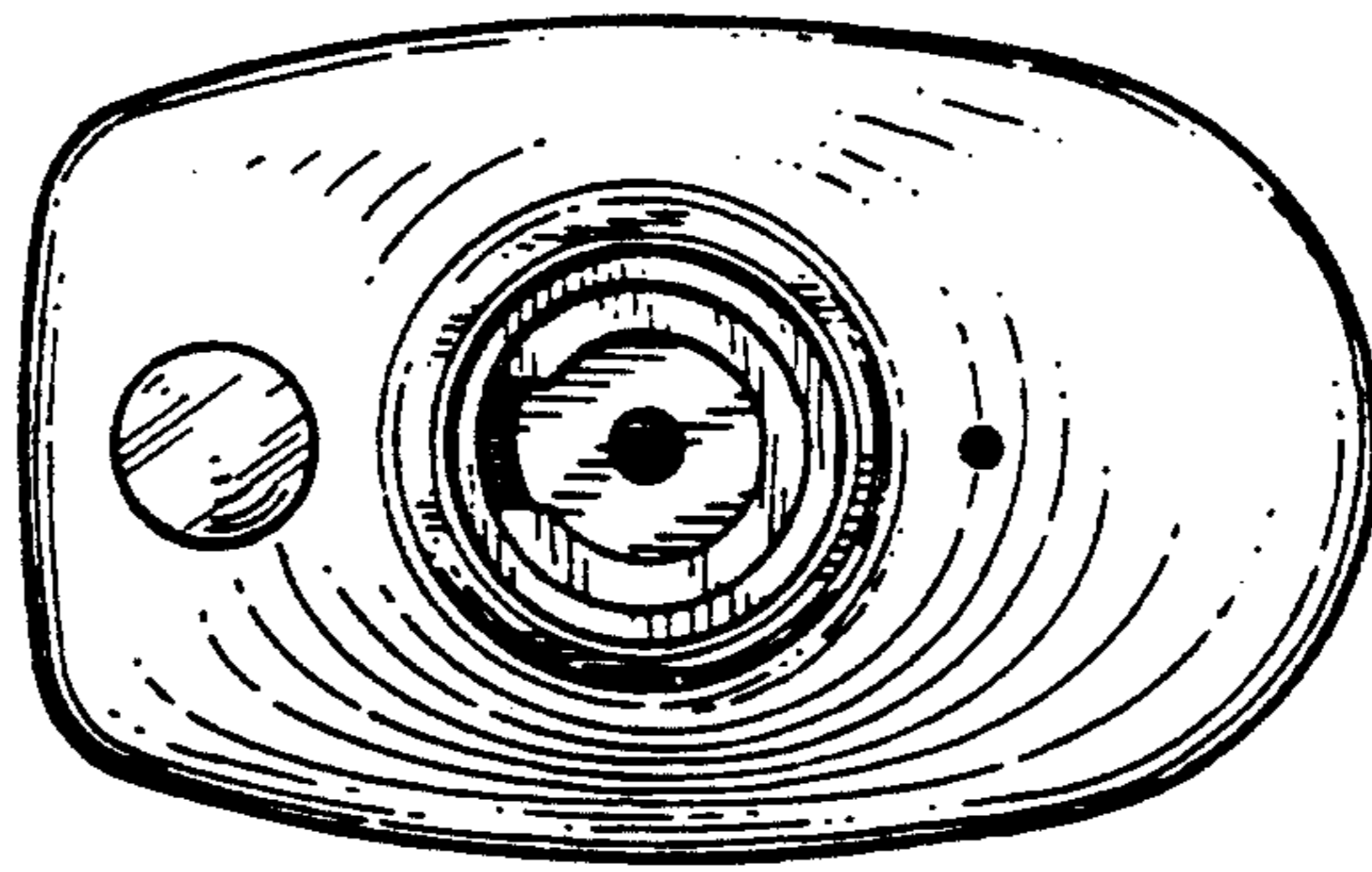


FIG. 6