



US00D345611S

United States Patent [19]
Long

[11] **Patent Number: Des. 345,611**
[45] **Date of Patent: ** Mar. 29, 1994**

[54] **SAMPLE CUP**

[75] **Inventor: Ernest W. Long, Concord, Mass.**

[73] **Assignee: PB Diagnostic Systems, Inc.,
Westwood, Mass.**

[**] **Term: 14 Years**

[21] **Appl. No.: 733,254**

[22] **Filed: Jul. 22, 1991**

[52] **U.S. Cl. D24/226; D24/224**

[58] **Field of Search D9/341; D7/672, 674,
D7/357; 422/58, 61, 63, 64, 67, 66, 68.1, 99,
101, 102; D24/226, 224; D15/90**

[56] **References Cited**

U.S. PATENT DOCUMENTS

D. 226,846	5/1973	Rosenburg	D24/226
D. 285,118	8/1986	Huang	D24/226
D. 309,779	8/1990	D'Aquino et al.	D24/226
D. 316,449	4/1991	D'Aquino et al.	D24/226

D. 321,940	11/1991	D'Aquino et al.	D24/226
D. 324,271	2/1992	Frenkel et al.	D24/226
4,751,184	4/1988	Higo et al.	435/287
4,799,599	1/1989	Herrmann	356/246 X
4,803,050	2/1989	Mack et al.	422/65
4,821,080	4/1989	Hayashi	356/318
4,849,177	7/1989	Jordan	422/64

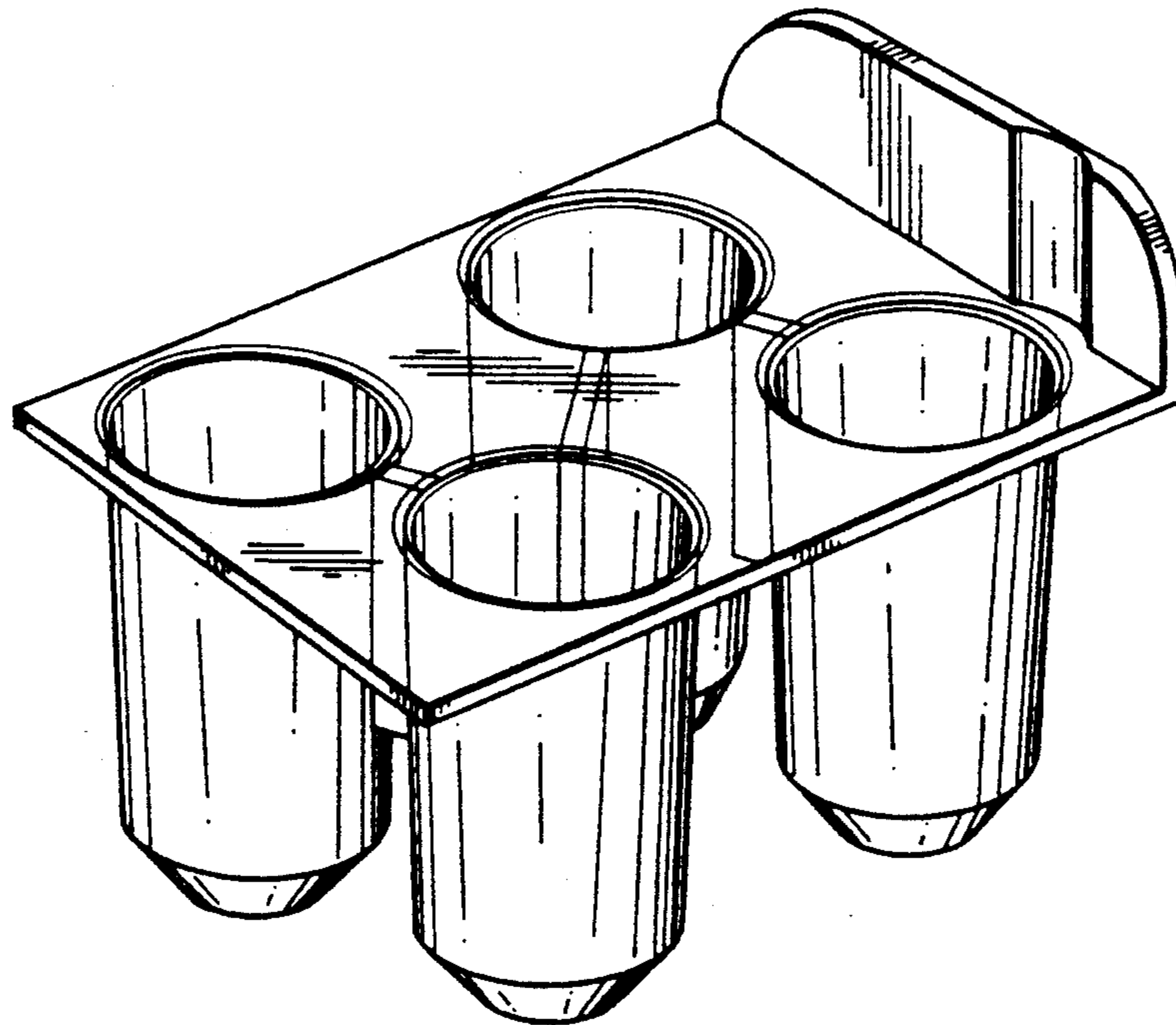
Primary Examiner—A. Hugo Word
Assistant Examiner—I. Simmons

[57] **CLAIM**

The ornamental design for a sample cup, as shown and described.

DESCRIPTION

FIG. 1 is a right front perspective view of a sample cup; FIG. 2 is a top elevational view thereof; FIG. 3 is a right side elevational view thereof; FIG. 4 is a left side elevational view thereof; FIG. 5 is a front elevational view thereof; FIG. 6 is a back elevational view thereof; and, FIG. 7 is a bottom elevation view thereof.



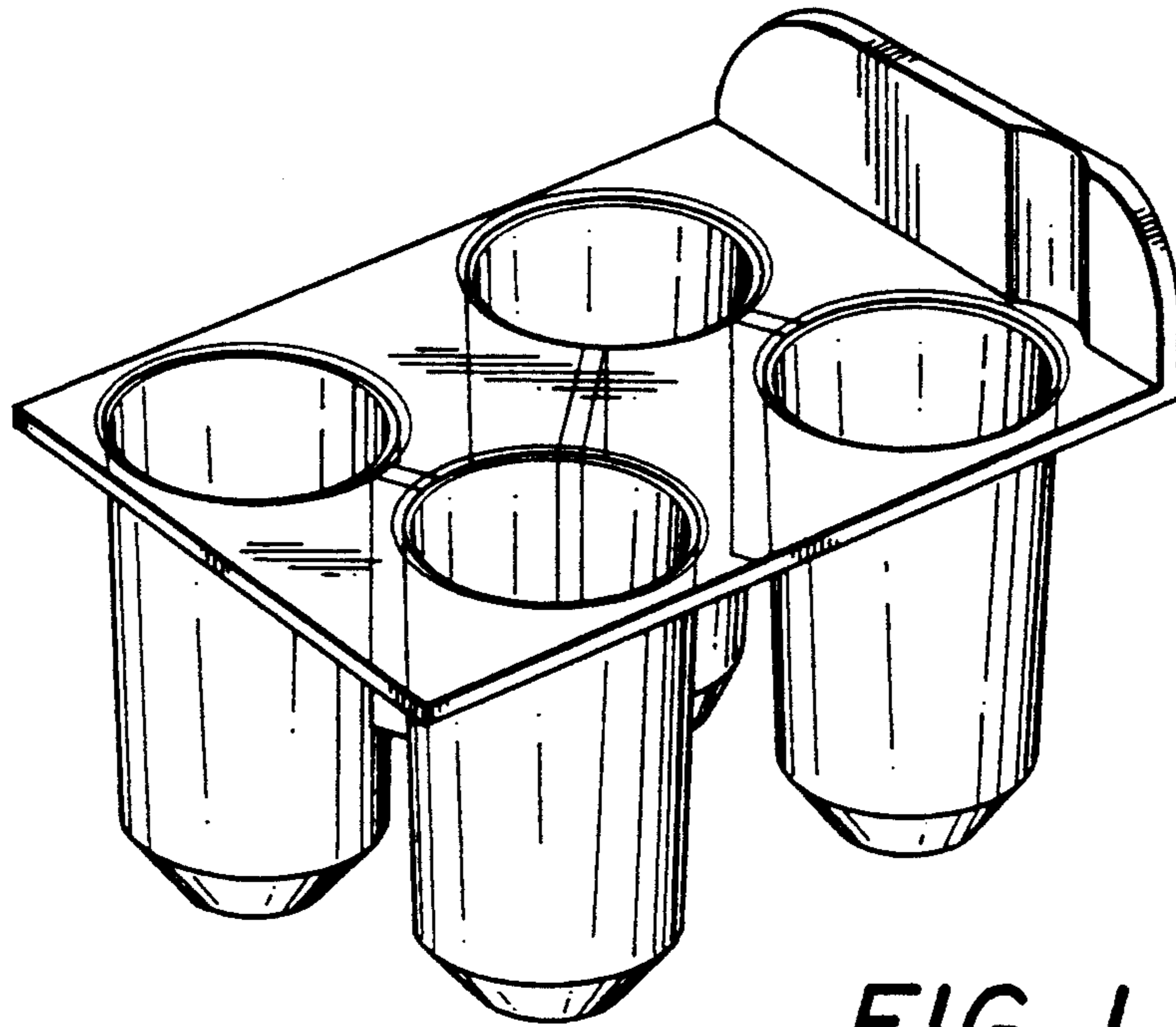


FIG. 1

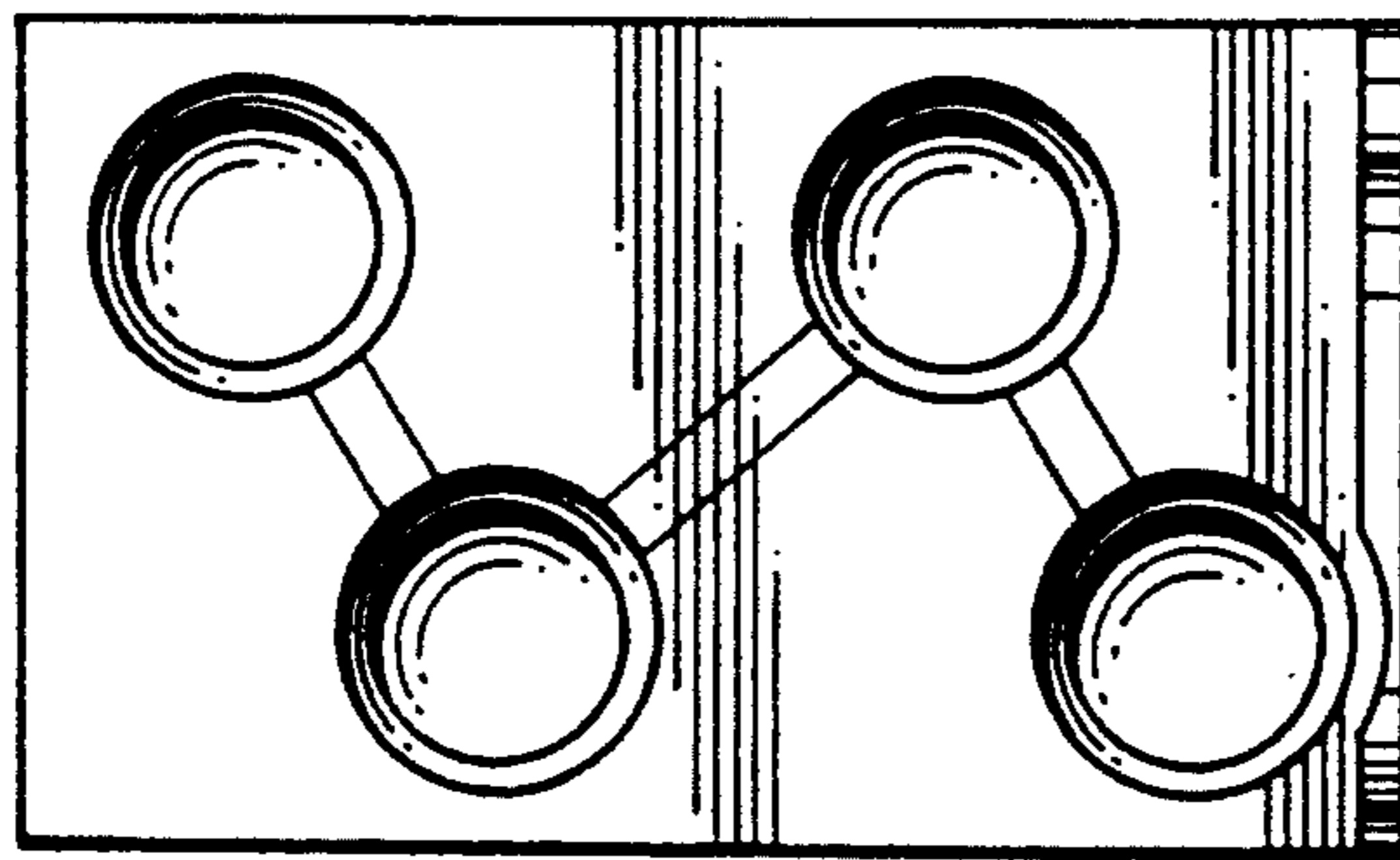


FIG. 2

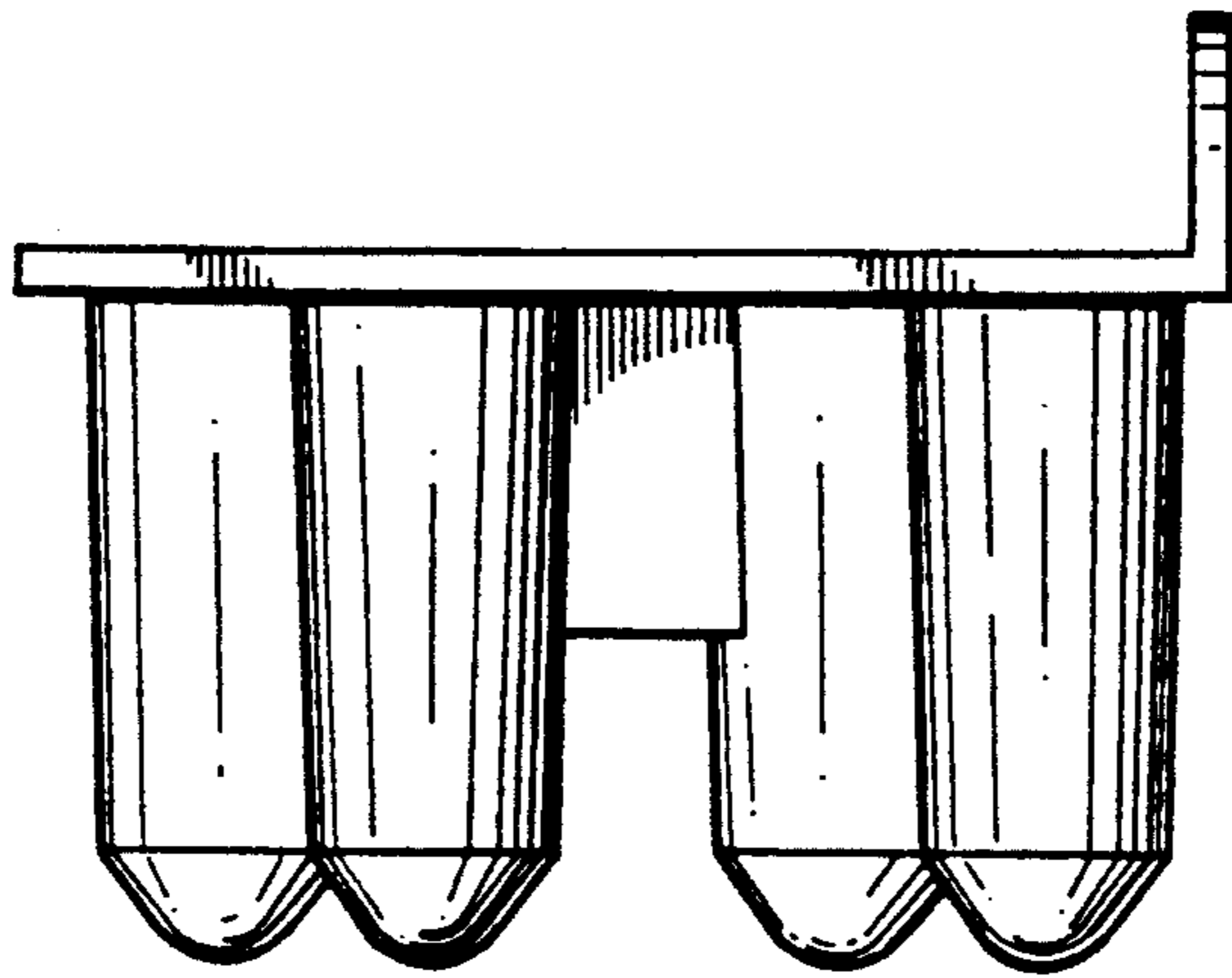


FIG. 3

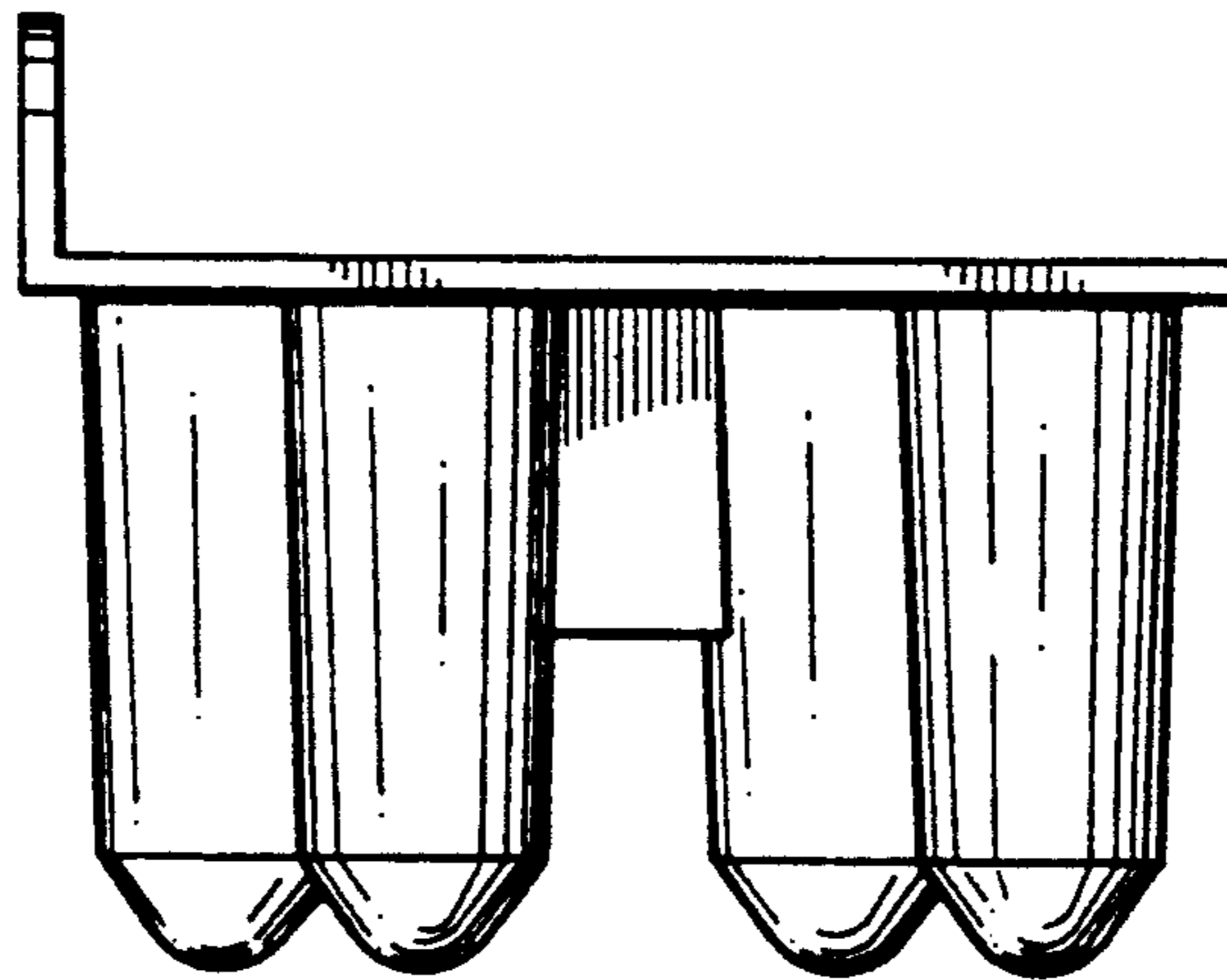


FIG. 4

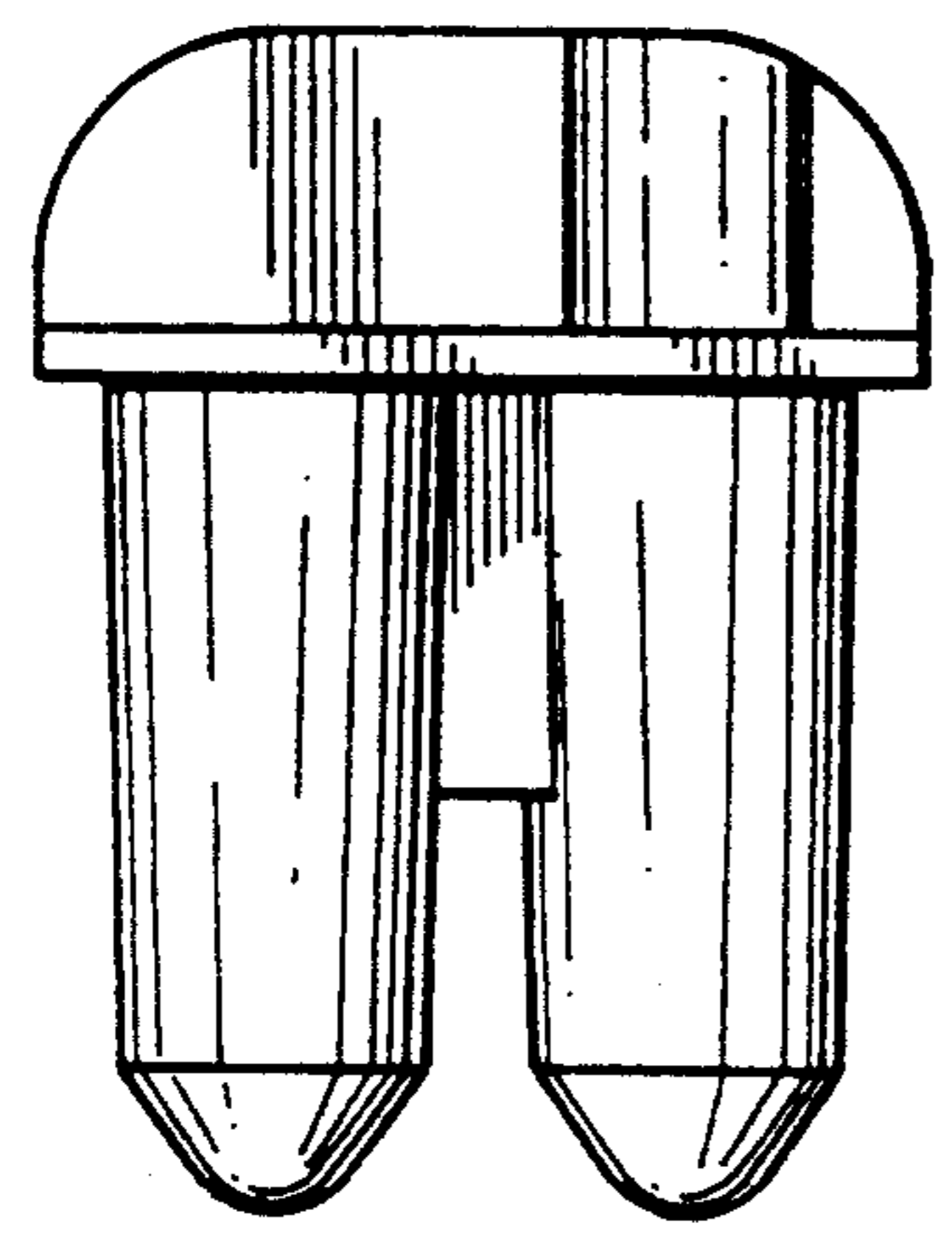


FIG. 5

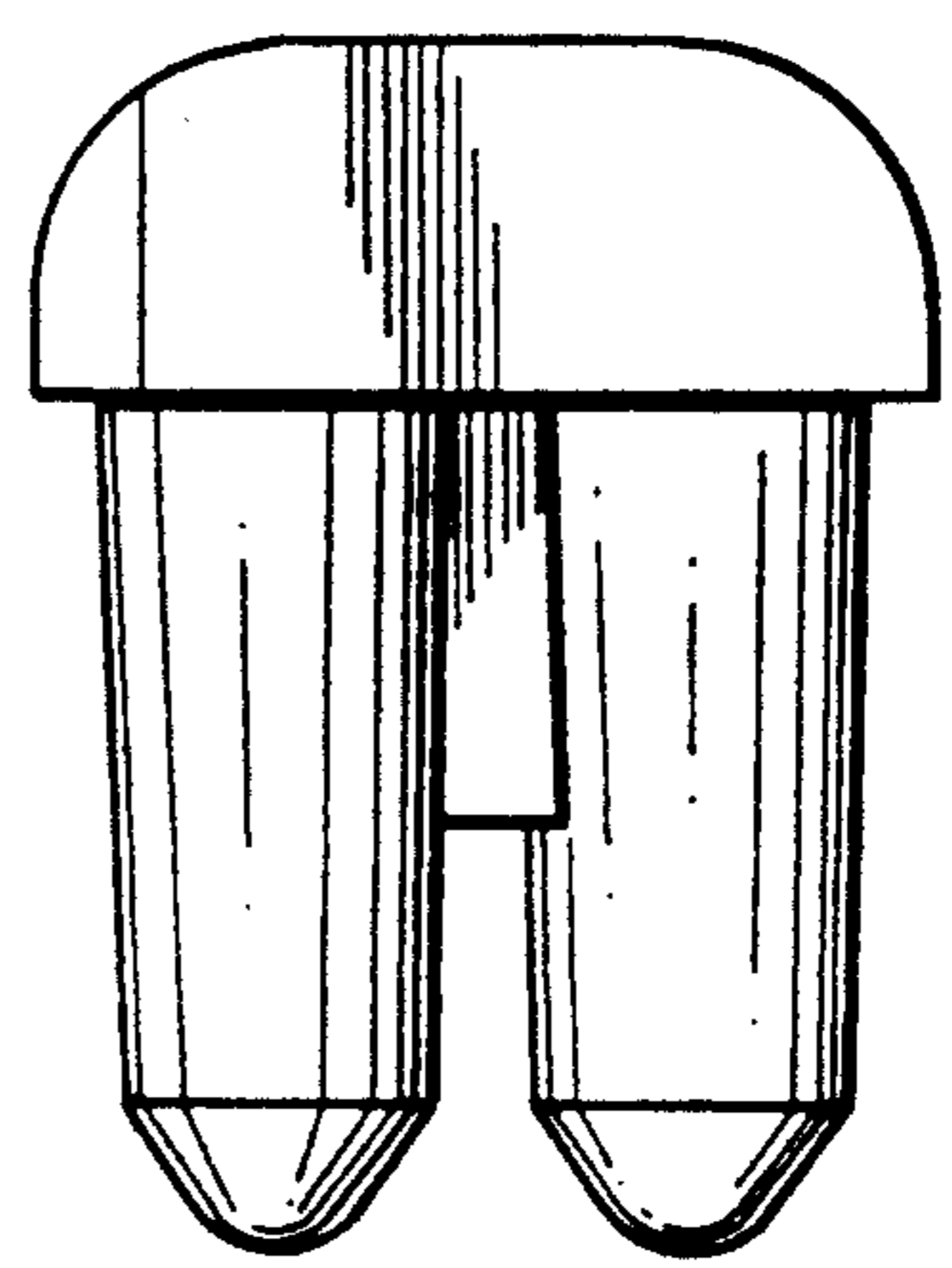


FIG. 6

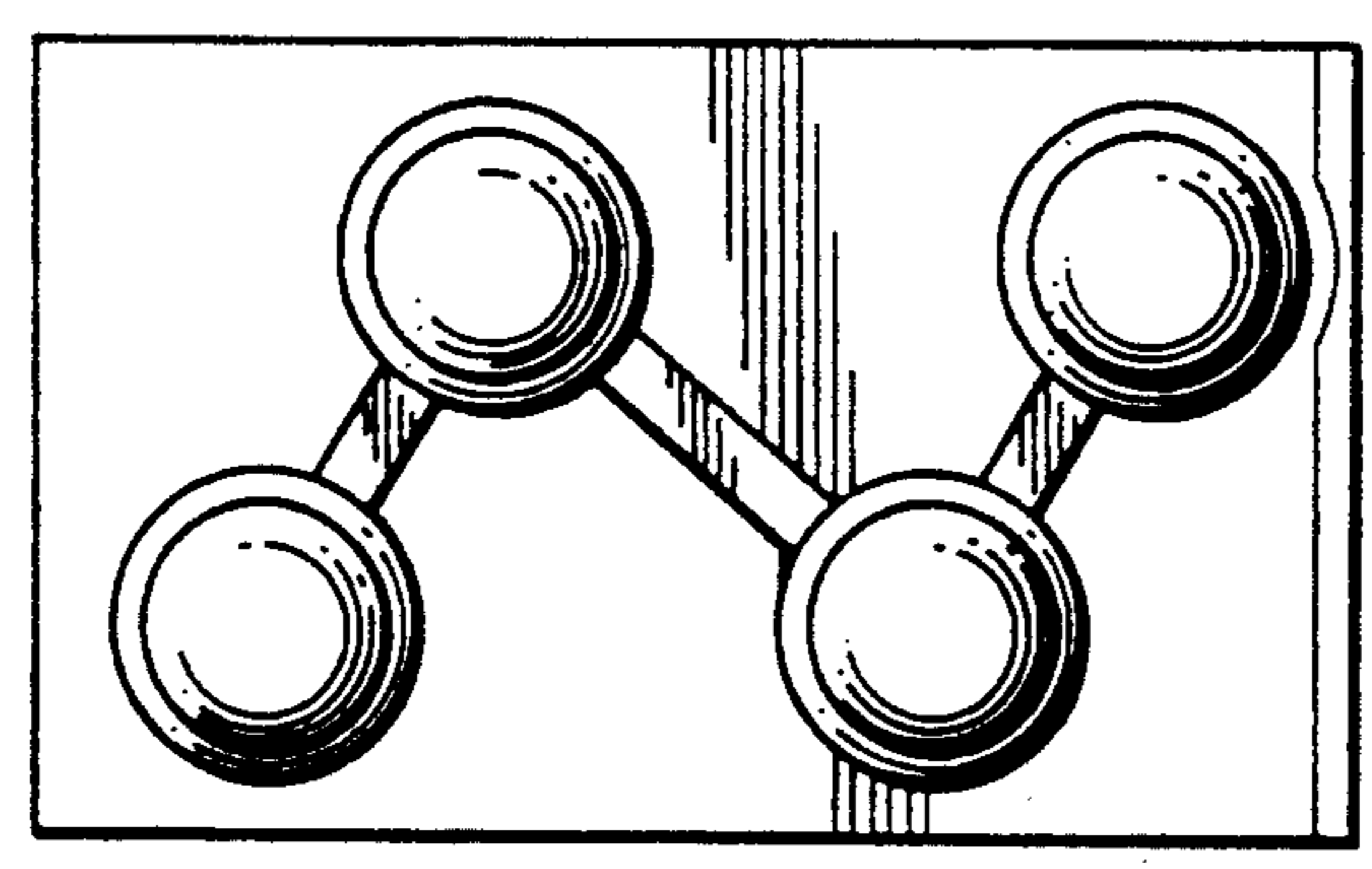


FIG. 7