



US00D345606S

United States Patent [19]

[11] Patent Number: **Des. 345,606**

Perusek

[45] Date of Patent: **** Mar. 29, 1994**

[54] **MEDICAL GAMMA CAMERA GANTRY**

[75] Inventor: **Allan J. Perusek, Mentor, Ohio**

[73] Assignee: **Picker International, Inc., Highland Heights, Ohio**

[**] Term: **14 Years**

[21] Appl. No.: **617,057**

[22] Filed: **Nov. 21, 1990**

[52] U.S. Cl. **D24/159**

[58] Field of Search **250/363.08, 492.3; 378/4, 21-27, 91, 208; D24/158, 159**

[56] **References Cited**

U.S. PATENT DOCUMENTS

D. 270,182	8/1983	Wagner	D24/159
D. 323,386	1/1992	Perusek	D24/159
4,634,980	1/1987	Misic et al.	D24/158 X
5,047,641	9/1991	Besseling et al.	250/363.08
5,075,554	12/1991	Yunker et al.	250/363.08

OTHER PUBLICATIONS

Triad Spect System; Trionix Research Laboratories, Inc. 1988.

Siemens 7500 Orbiter; MaxDelta DELTAmanger NON W.A.M. W.A.M. Advertising Brochure.

Nuclear Medicine Instruments and Accessories Nuclear Associates Division of Victoreen Inc. Advertising Brochure.

Picker SX-300; Artis 3200 Advertising Brochure Picker International, Inc.

Apex 009; Apex 409 ECT; Apex 609 ECT; Apex 409 MA Apex 209 MA Advertising Brochure Elscint, Inc. Starcam 3000XG/T; Starcam 3000XR/T; Starcam 2000AG/T Advertising Brochure GE Medical Systems.

SPECT Phantom; Data Spectrum Corporation Advertising Brochure.

Capintec, Inc. CAPTURA System Advertising Brochure 1989.

GCA-901A; GCA-602A Digital Gammacamera Advertisement; Toshiba Medical Systems.

DS7; DSX Advertisement; Sopha Medical Systems, Inc.

Spectrum 1024 DT Digital Imaging System; Spectrum 1024/64 DP Nuclear Data and Image Processor; NeuroSpect 2000 Dedicated Cerebral Imaging System Advertising Brochure; Spectrum Medical Systems, Inc.

ECAT Advertisement; Siemens Medical Systems, Inc. ADAC Advertisement and Design Patent Application therefor.

SX Series Detector Stands Advertisement; Picker International, Inc.

PRISM Advertisement; Ohio Imaging, Inc., 1988.

Technology Update; Shimadzu Medical System's Headtome SE T-031 Jun. 1989.

Primary Examiner—Stella Reid

Attorney, Agent, or Firm—Fay, Sharpe, Beall, Fagan, Minnich & McKee

[57] **CLAIM**

The ornamental design for a medical gamma camera gantry, as shown and described herein.

DESCRIPTION

FIG. 1 is a front elevational view of a medical gamma camera gantry showing my new design;

FIG. 2 is a left side elevational view thereof;

FIG. 3 is a right side elevational view thereof;

FIG. 4 is a rear elevational view thereof;

FIG. 5 is a top plan view thereof;

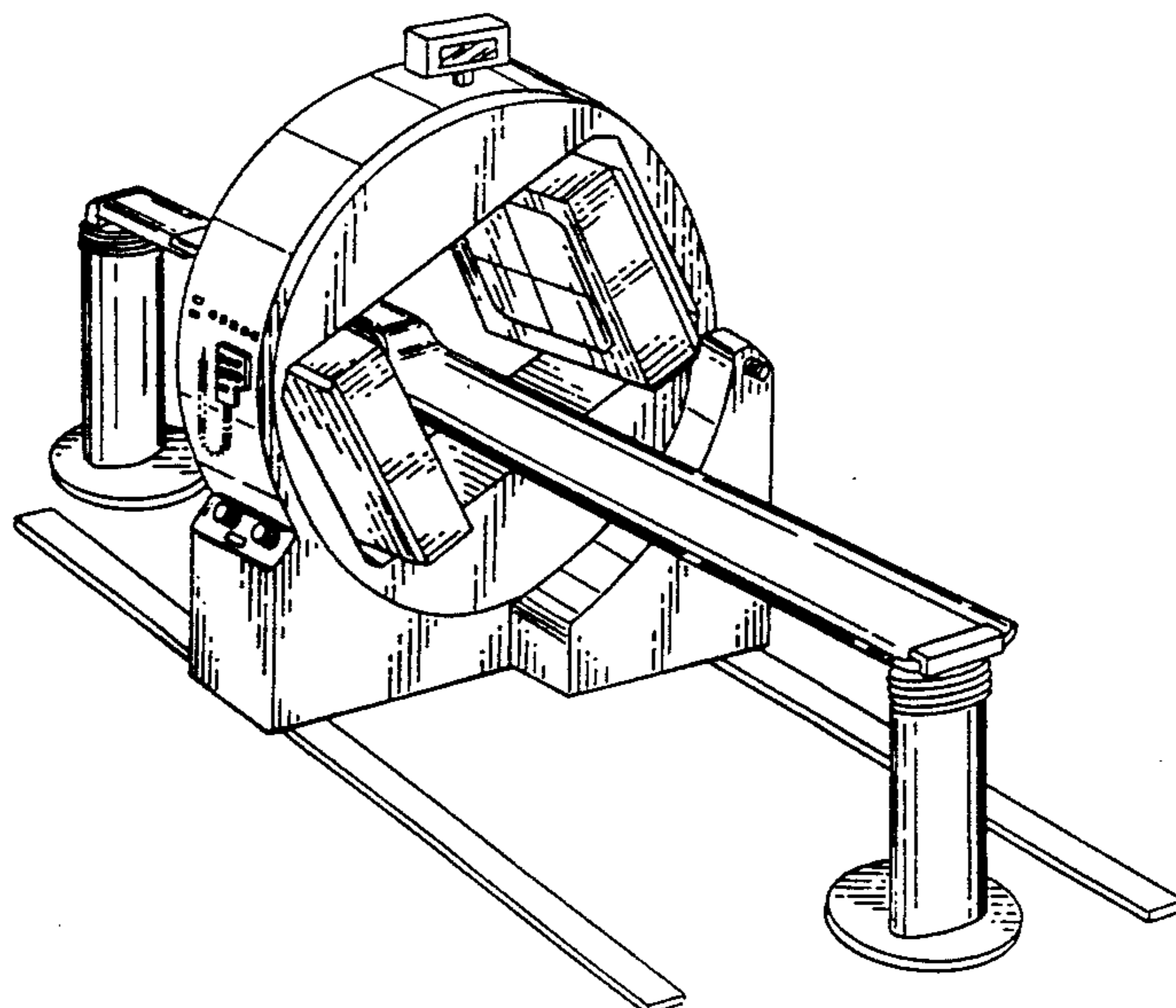
FIG. 6 is a front, right side perspective view thereof;

FIG. 7 is a front elevational view with the upper detector head rotated 45° to the left;

FIG. 8 is a right side elevational view with both rotatably moveable detector heads rotated 45°, facing toward the right; and,

FIG. 9 is a right side elevational view with the rotatable detector head carrying gantry rotated 90° and with the left detector head translated inward.

The bottom of the article is plain and unadorned.



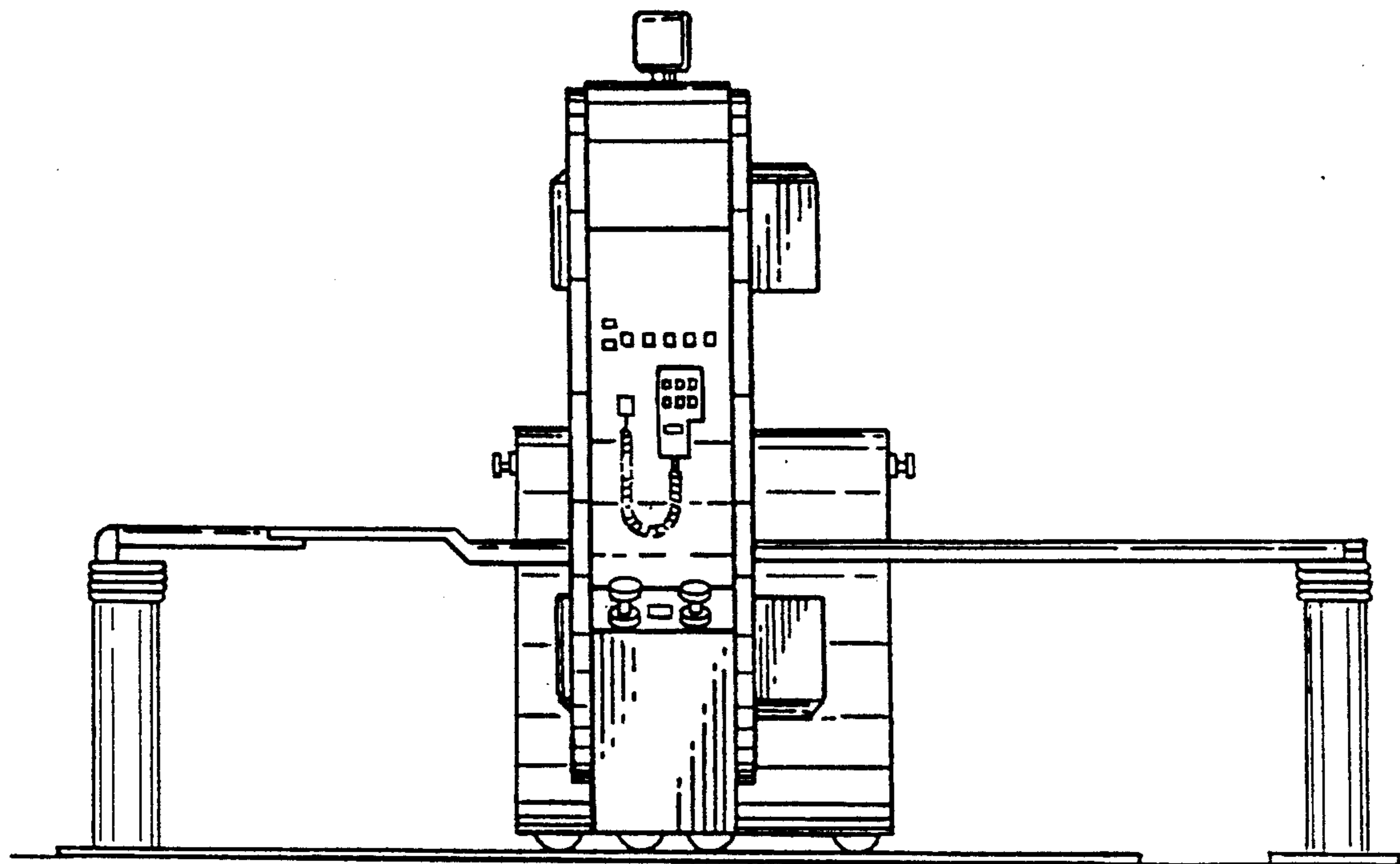


FIG. 1

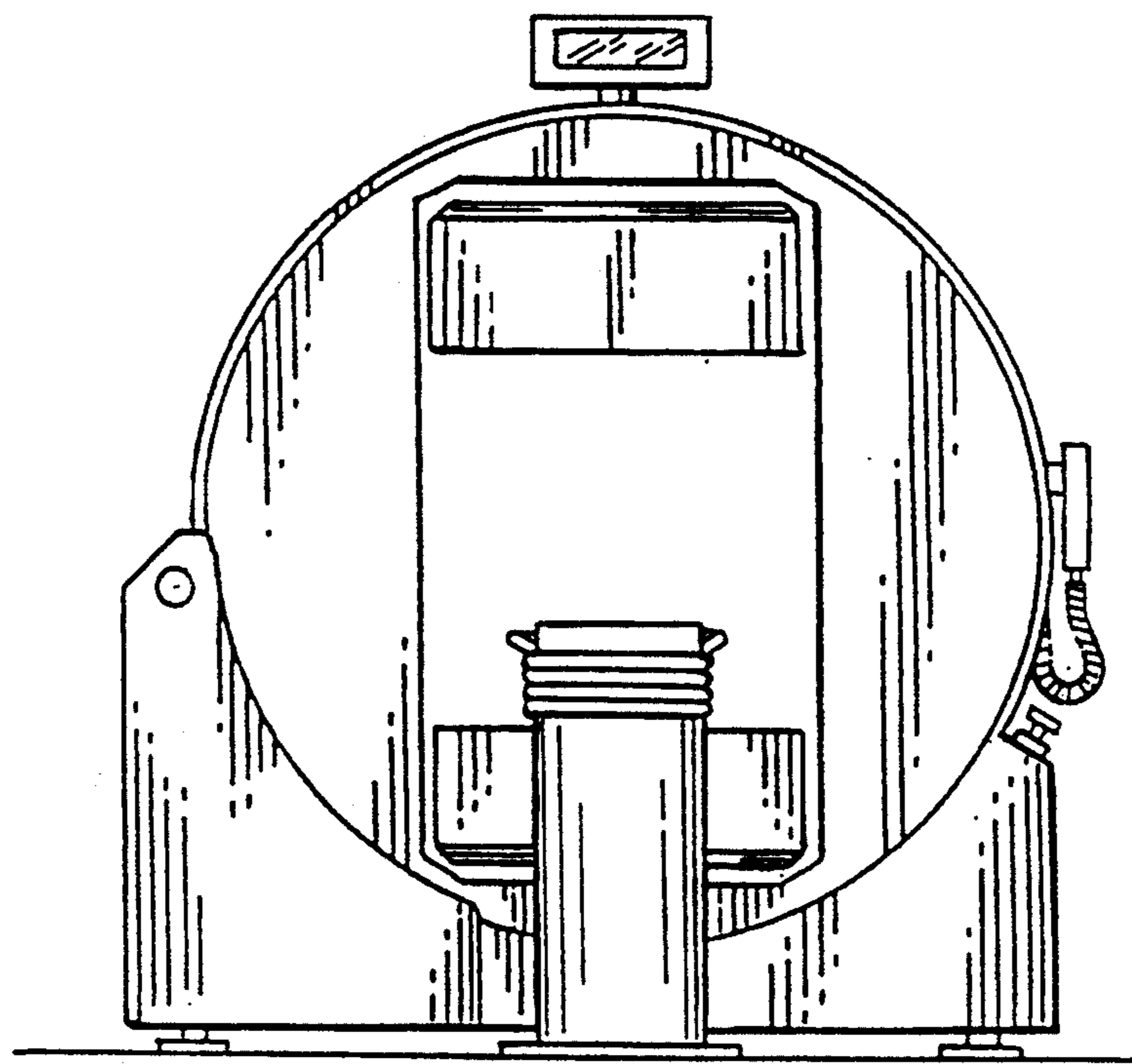


FIG. 2

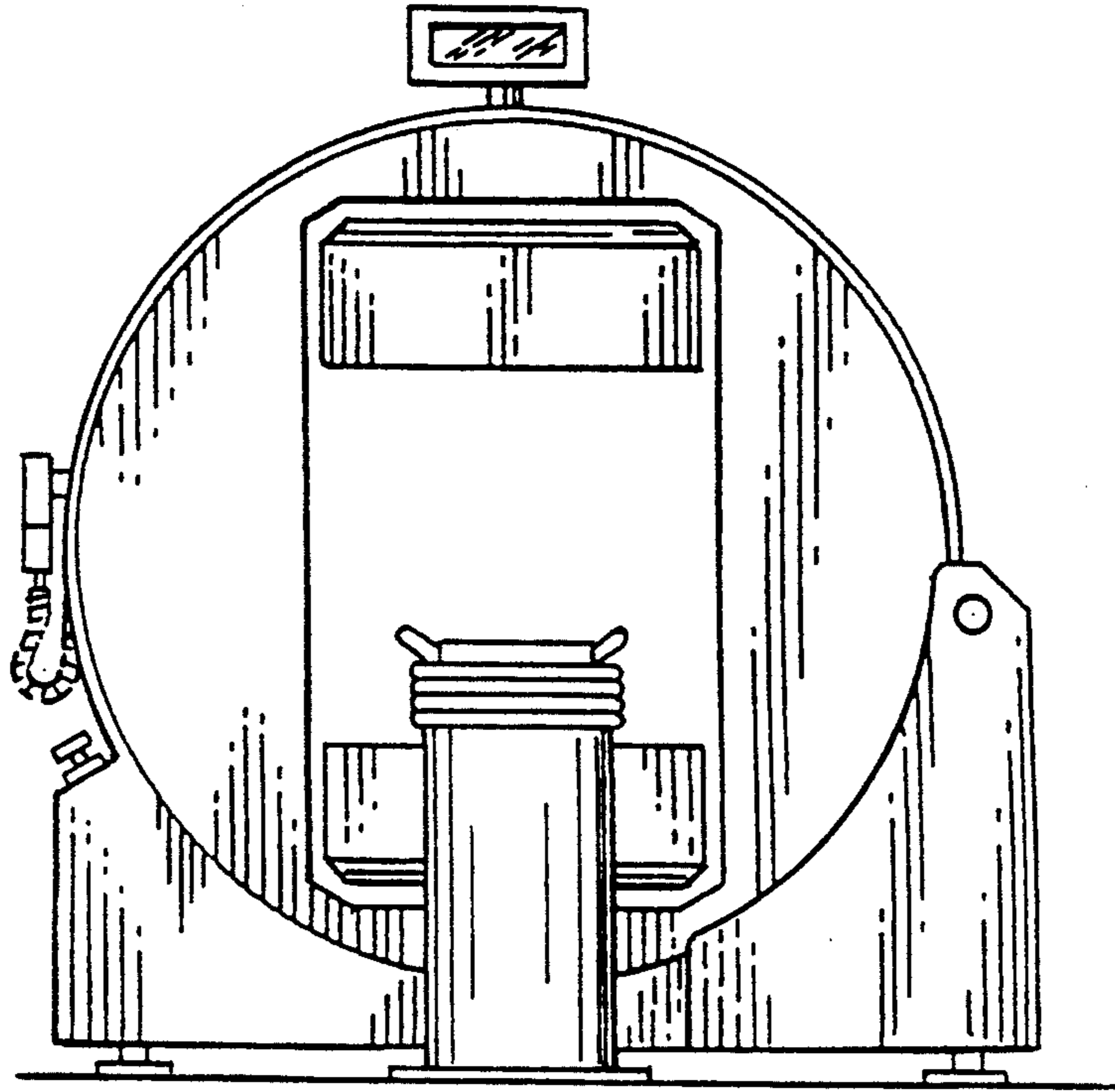


FIG. 3

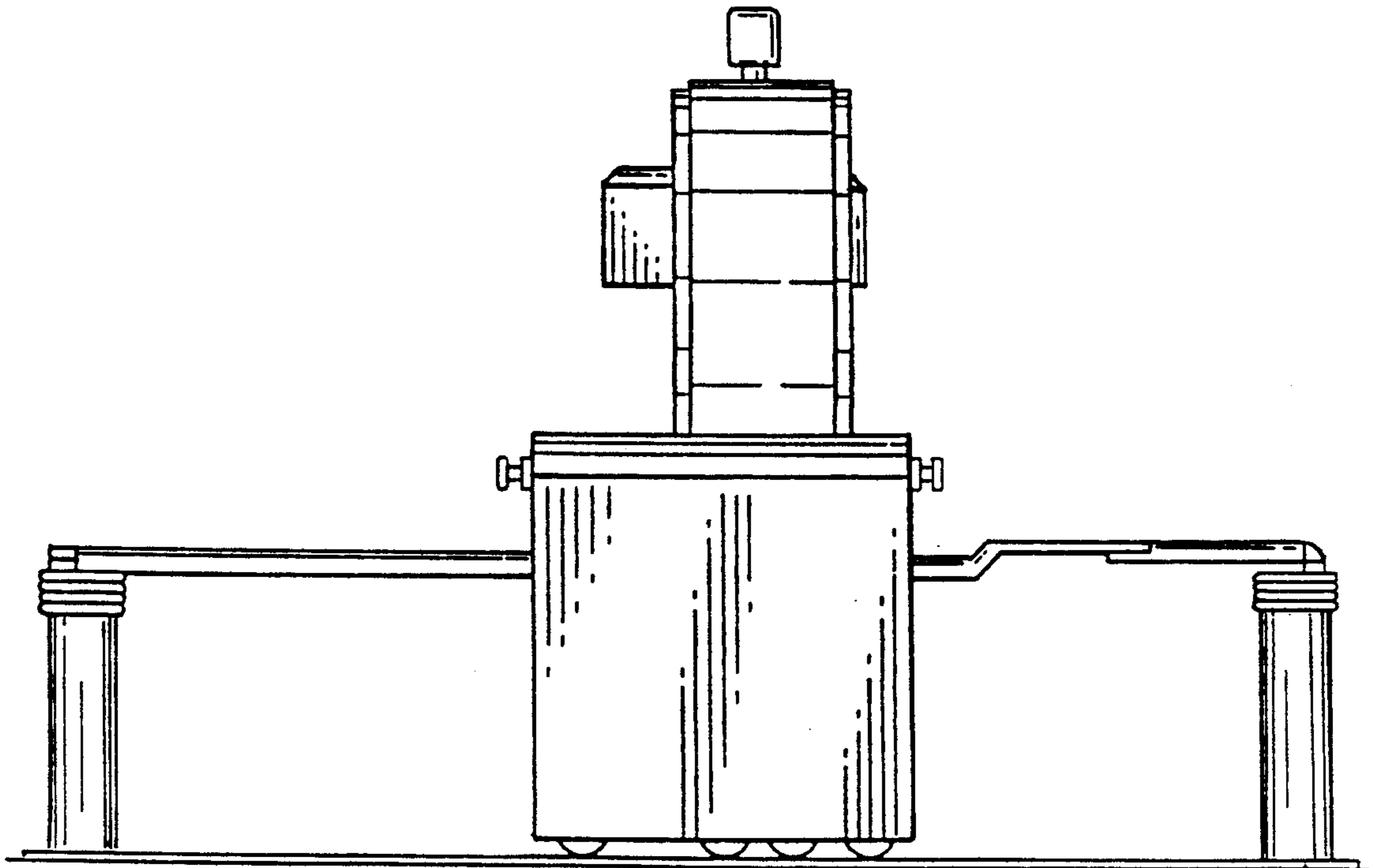


FIG. 4

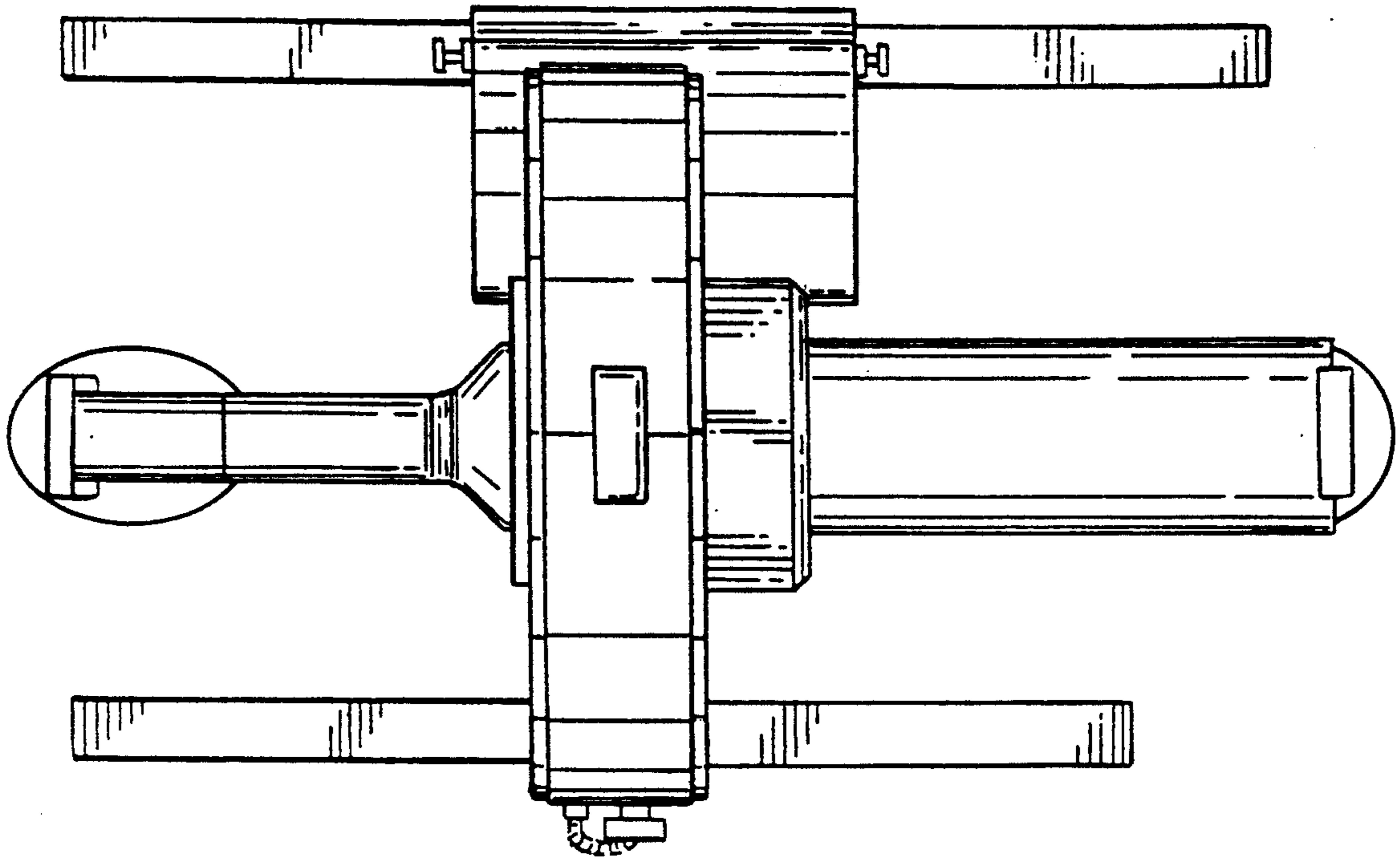


FIG. 5

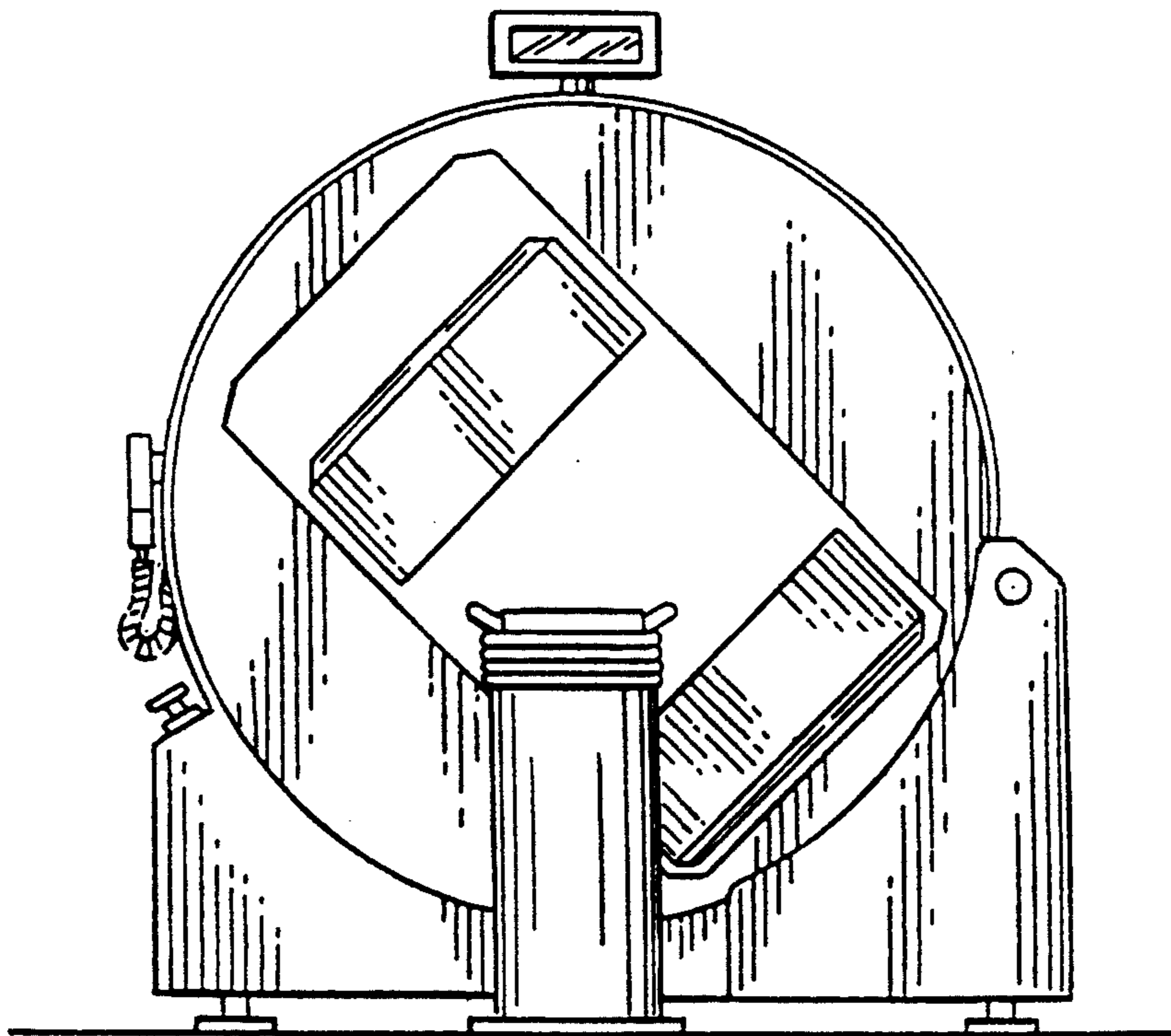
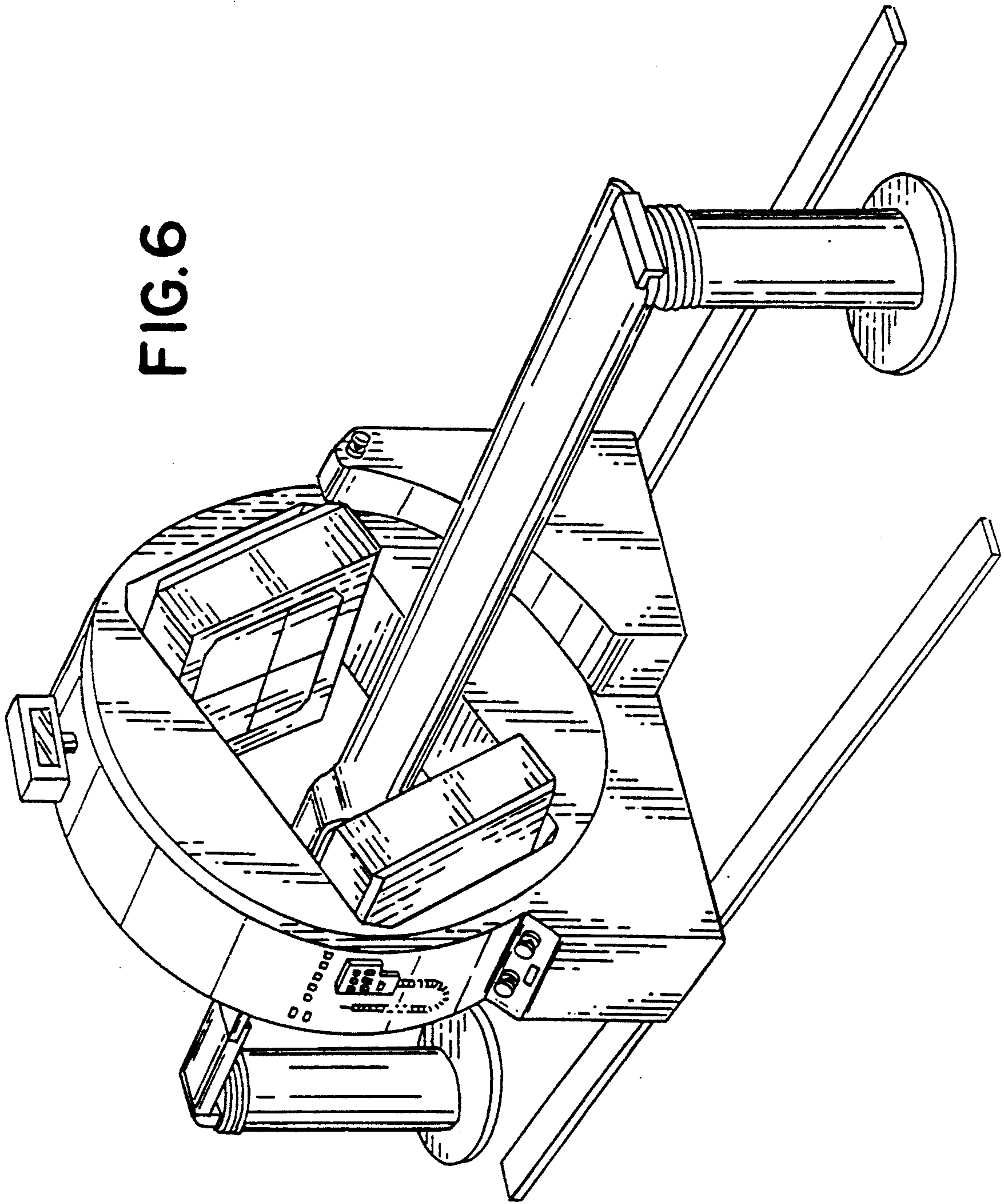


FIG. 9

FIG. 6



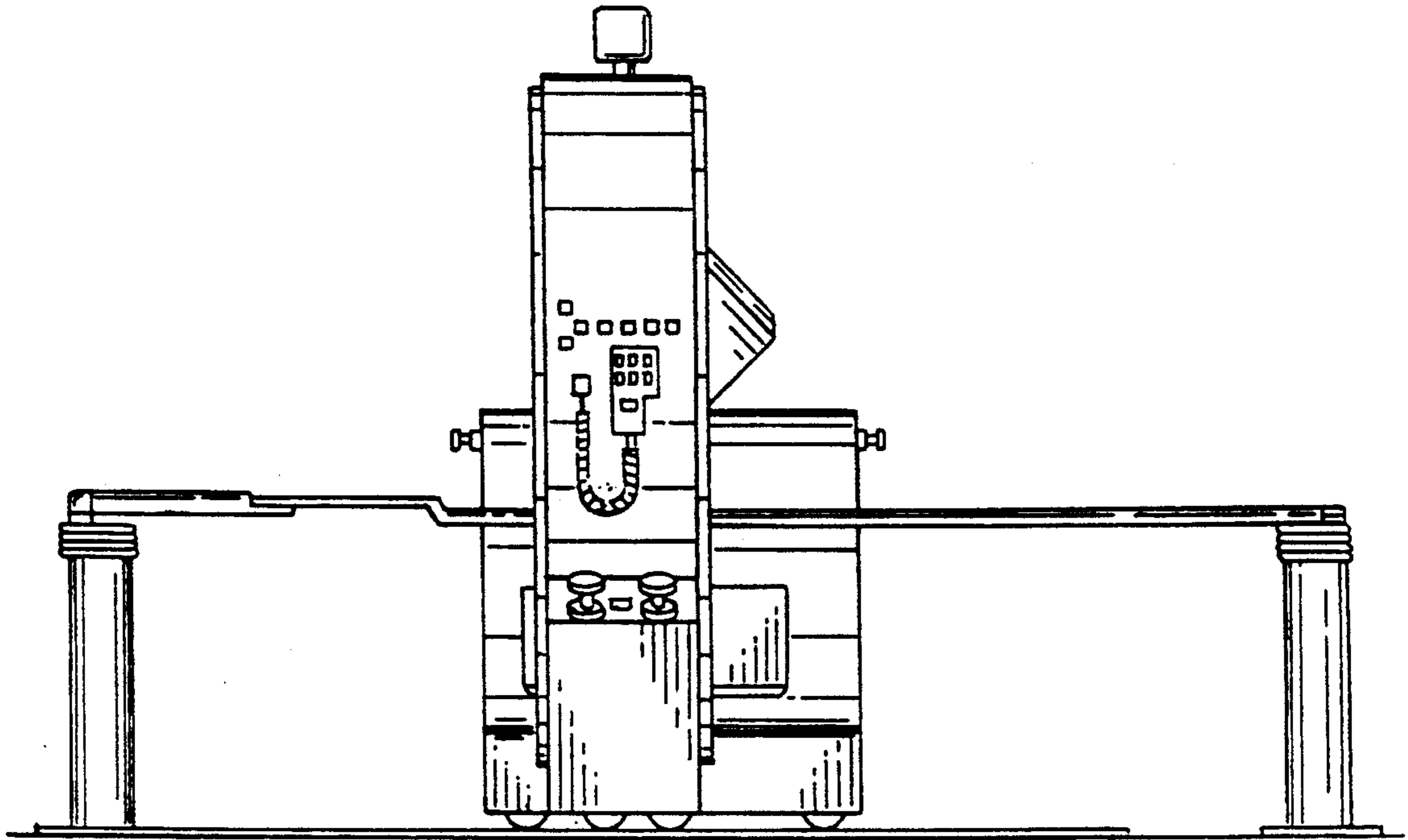


FIG. 7

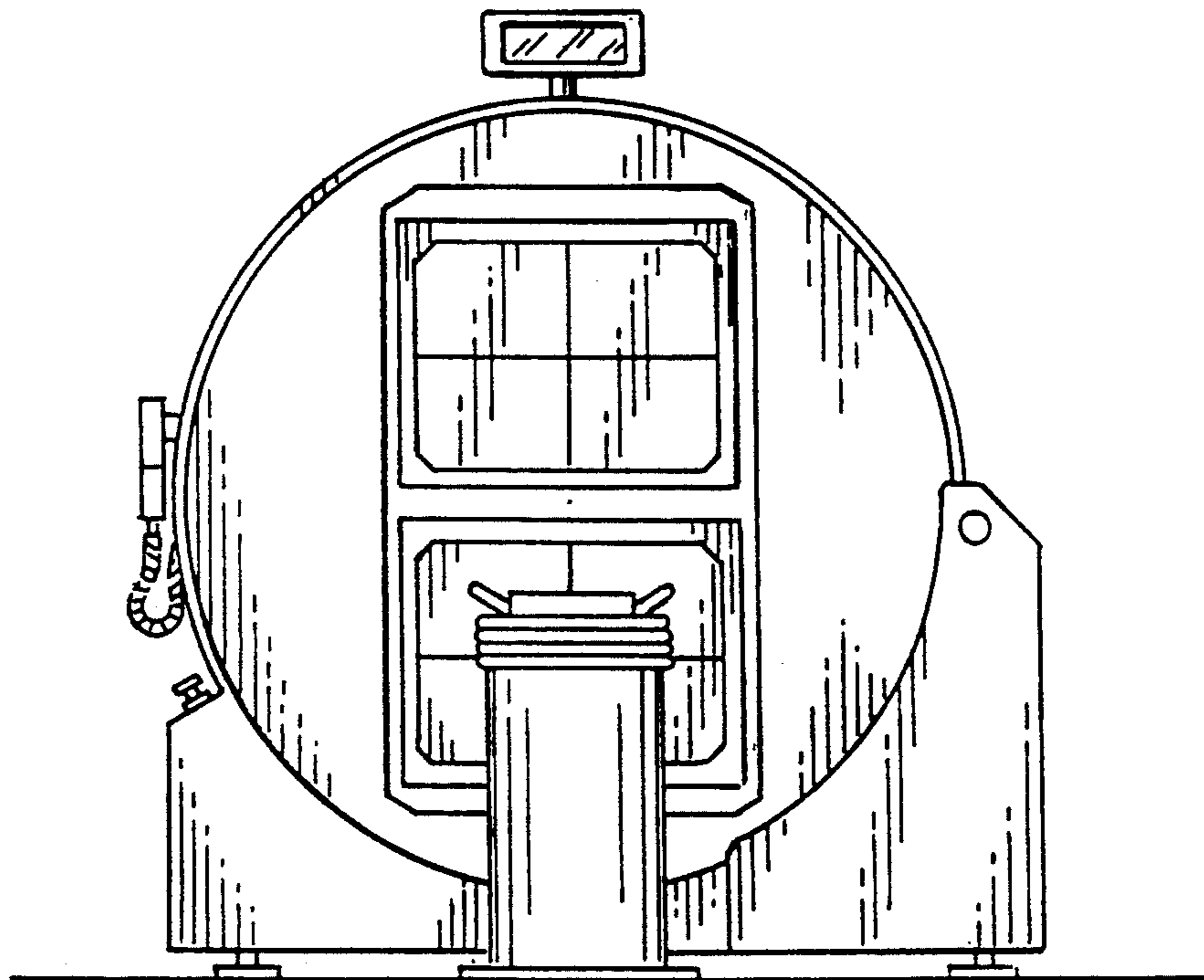


FIG. 8