



US00D345598S

United States Patent [19]

[11] Patent Number: **Des. 345,598**

Cartwright et al.

[45] Date of Patent: **** Mar. 29, 1994**

[54] **WINDOW MOUNTED HEAT EXCHANGE UNIT**

4,850,332 7/1989 Sivonen .
4,878,478 11/1989 Johnson 126/77
4,941,451 7/1990 Gilham 126/77

[76] Inventors: **Michael R. Cartwright; McKinley James**, both of 9711 Movilla Hills Rd., Sand Springs, Okla. 74063

Primary Examiner—Wallace R. Burke
Assistant Examiner—Lisa Lichtenstein
Attorney, Agent, or Firm—Terry M. Gernstein

[**] Term: **14 Years**

[57] **CLAIM**

[21] Appl. No.: **741,166**

The ornamental design for a window mounted heat exchange unit, as shown.

[22] Filed: **Aug. 7, 1991**

[52] U.S. Cl. **D23/343**

DESCRIPTION

[58] Field of Search 126/520; 237/46, 47, 237/49; D23/343, 344, 342

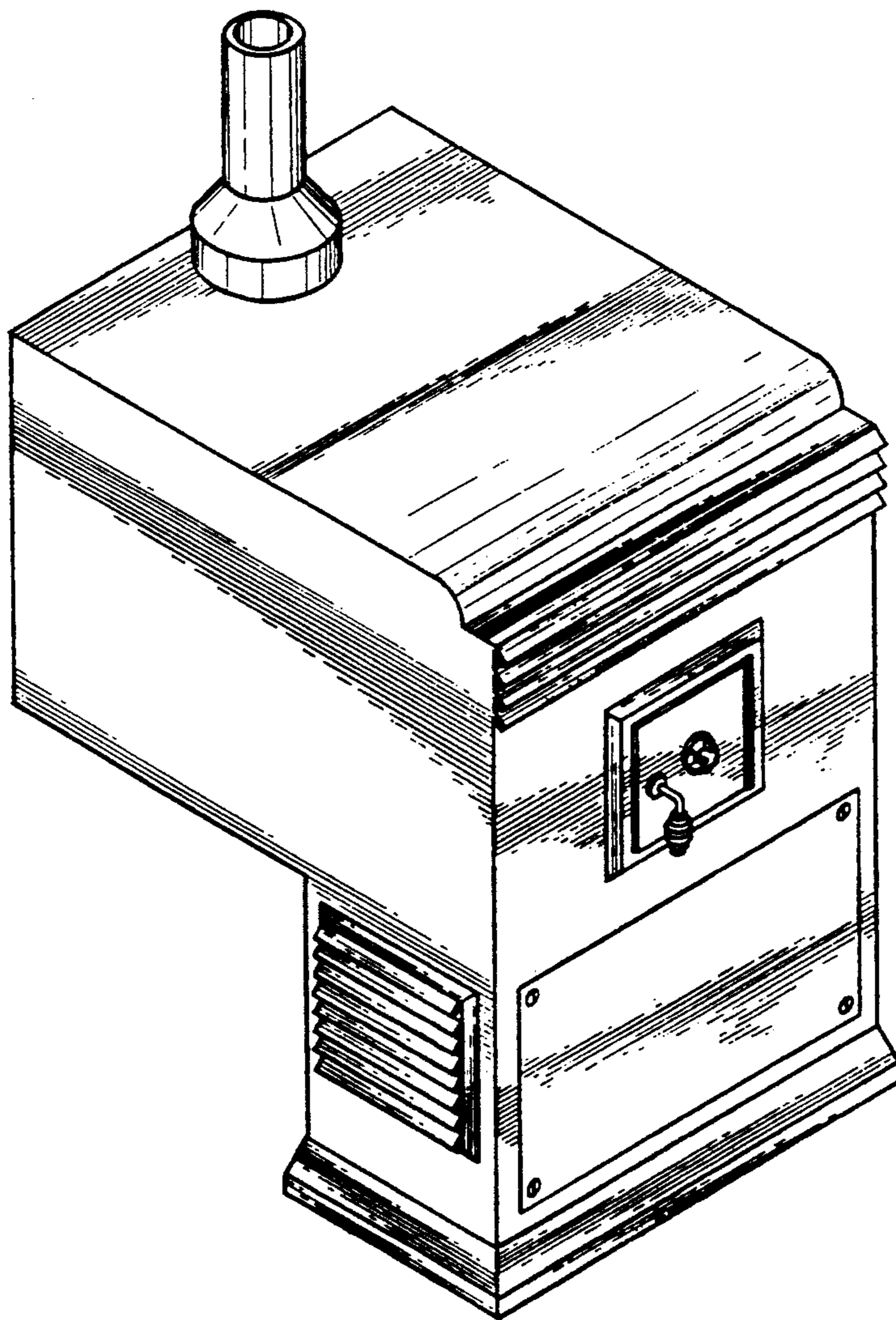
FIG. 1 is a perspective view of the window mounted heat exchange unit embodying the design of the present invention;

[56] **References Cited**

U.S. PATENT DOCUMENTS

7,766 6/1877 Silver 237/46
1,417,987 5/1922 Griffith 237/46
3,049,113 8/1962 Northwood et al. 126/520
4,240,401 12/1980 Chesnut et al. D23/344

FIG. 2 is a front elevational view thereof;
FIG. 3 is a rear elevational view thereof;
FIG. 4 is a side elevational view thereof;
FIG. 5 is a side elevational view thereof;
FIG. 6 is a top plan view thereof; and,
FIG. 7 is a bottom plan view thereof.



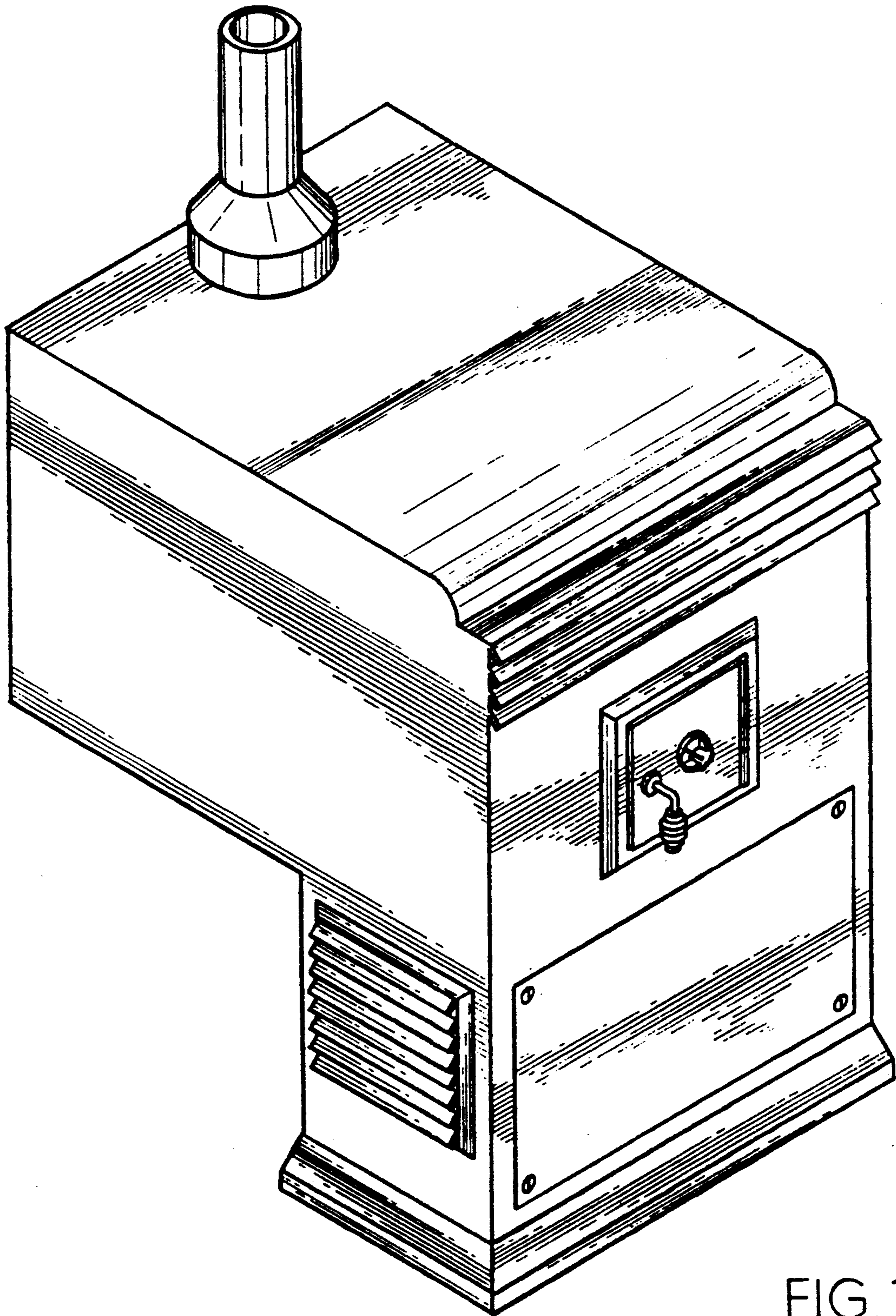


FIG. 1

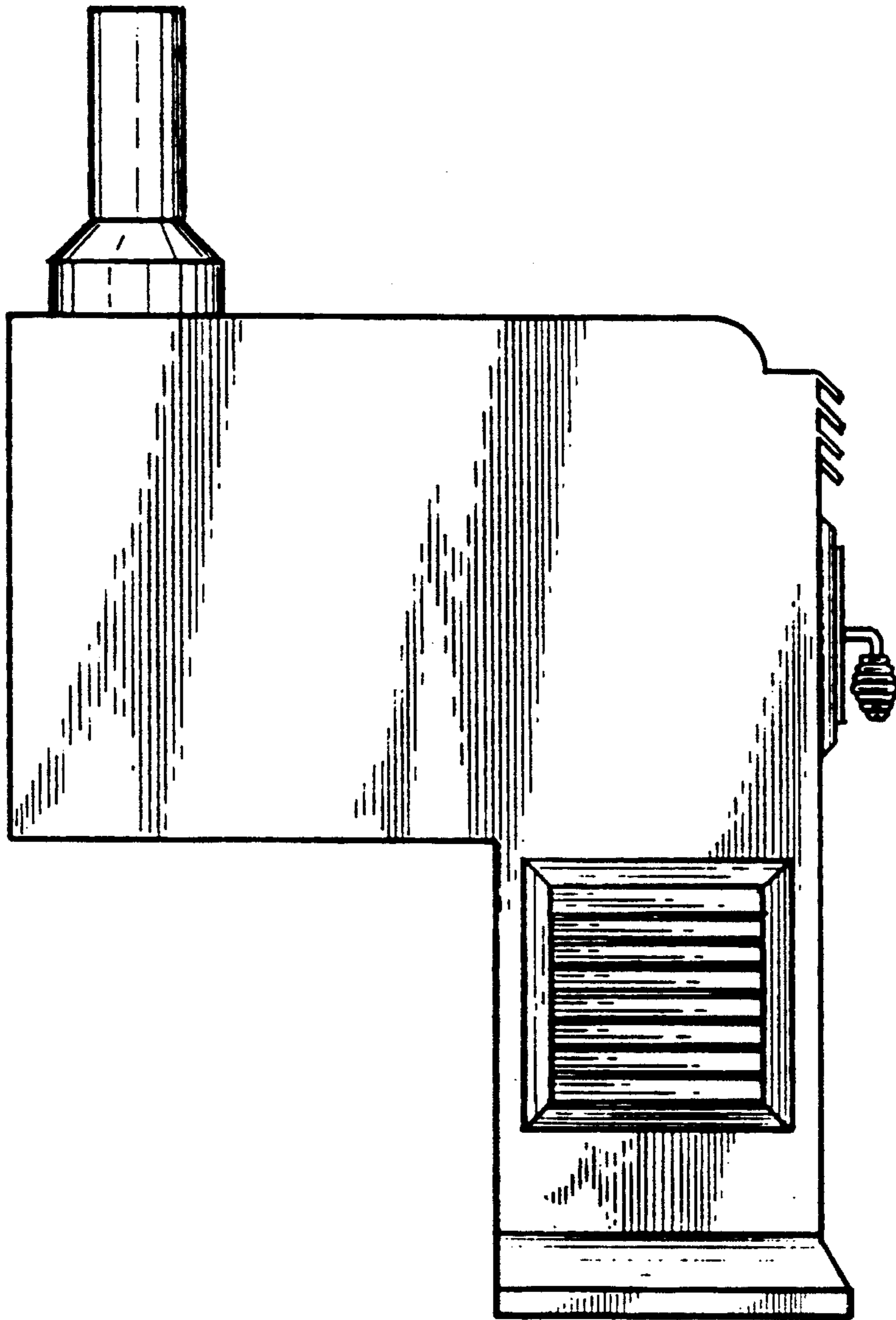


FIG. 2

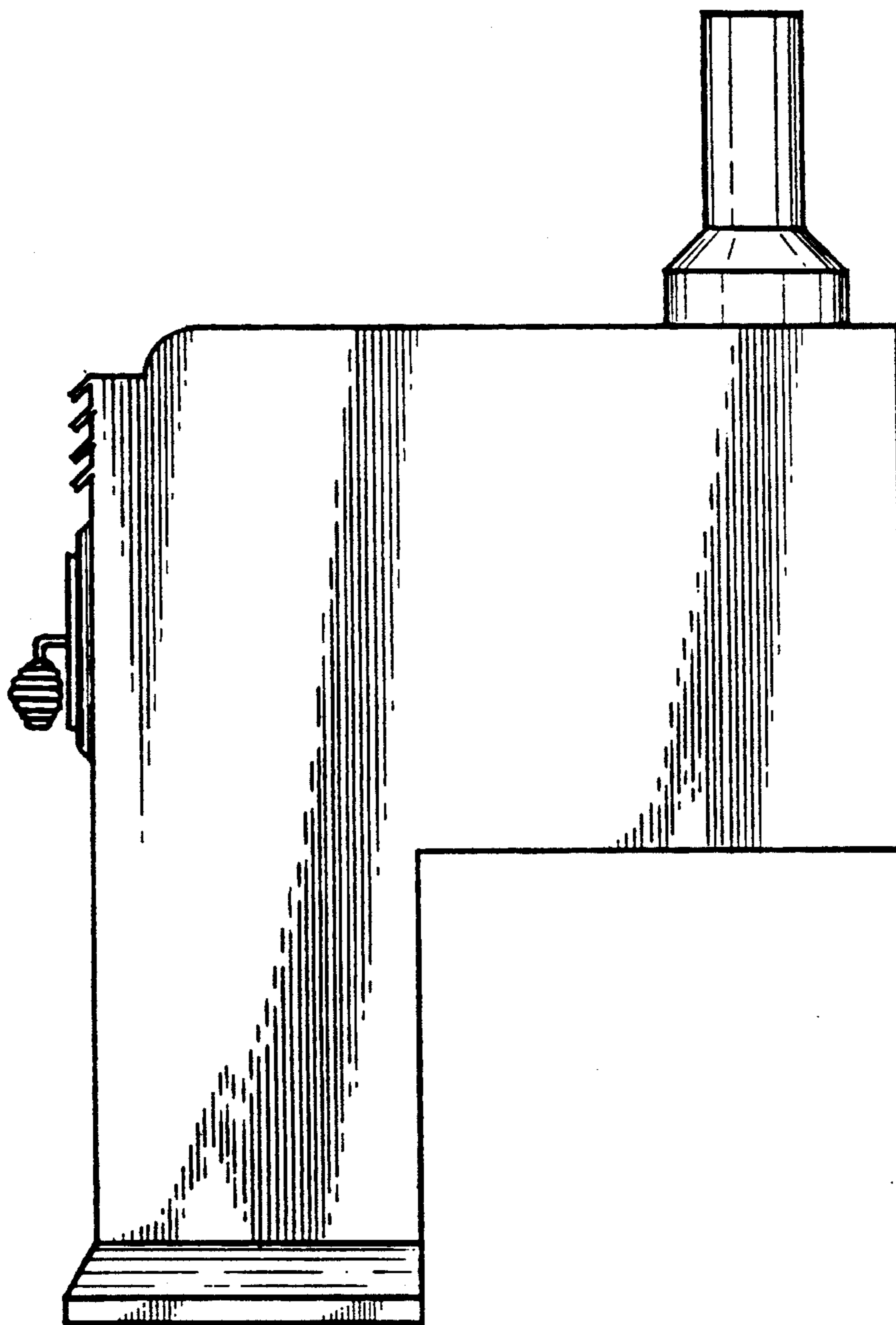


FIG. 3

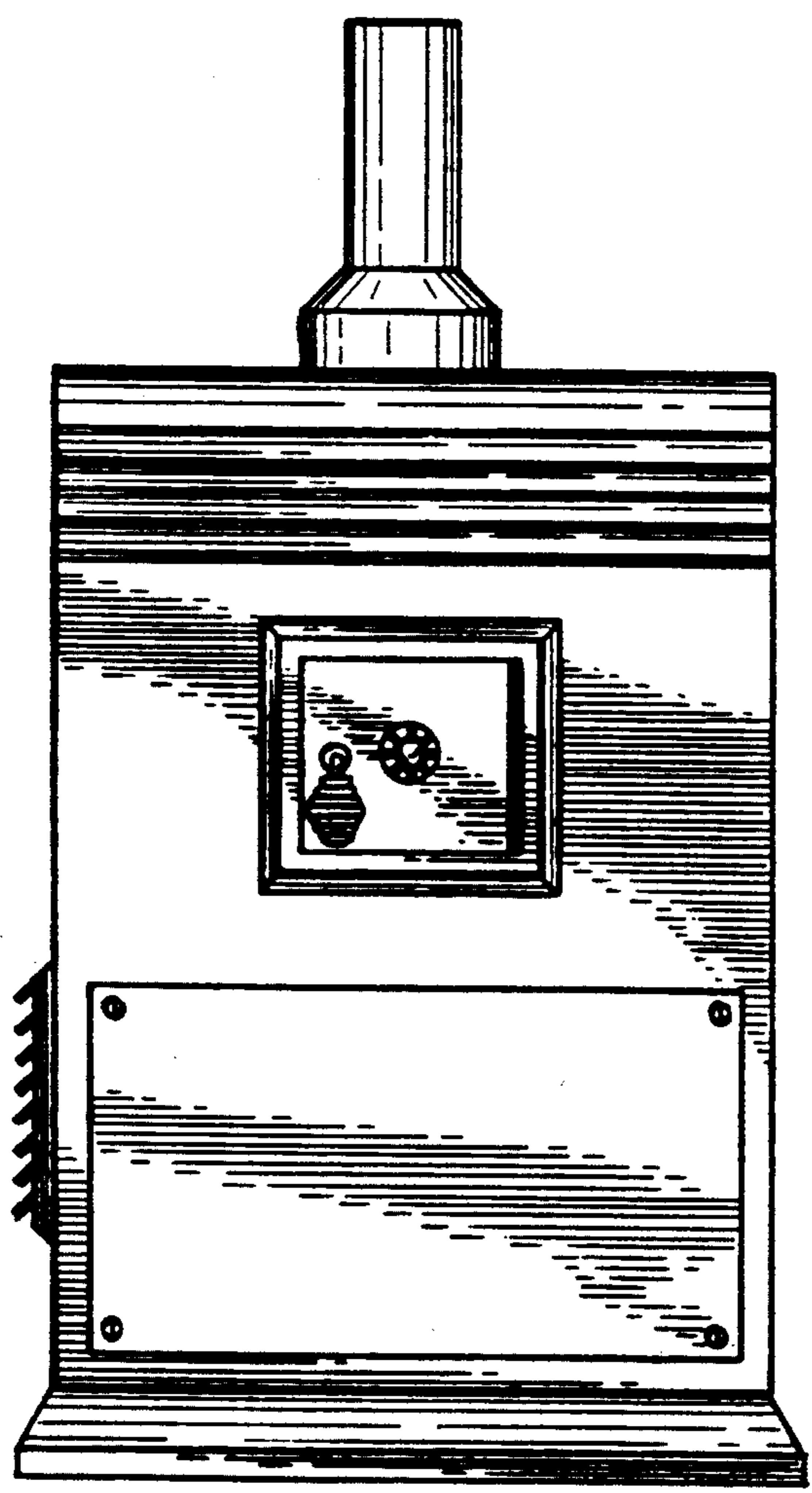


FIG. 4

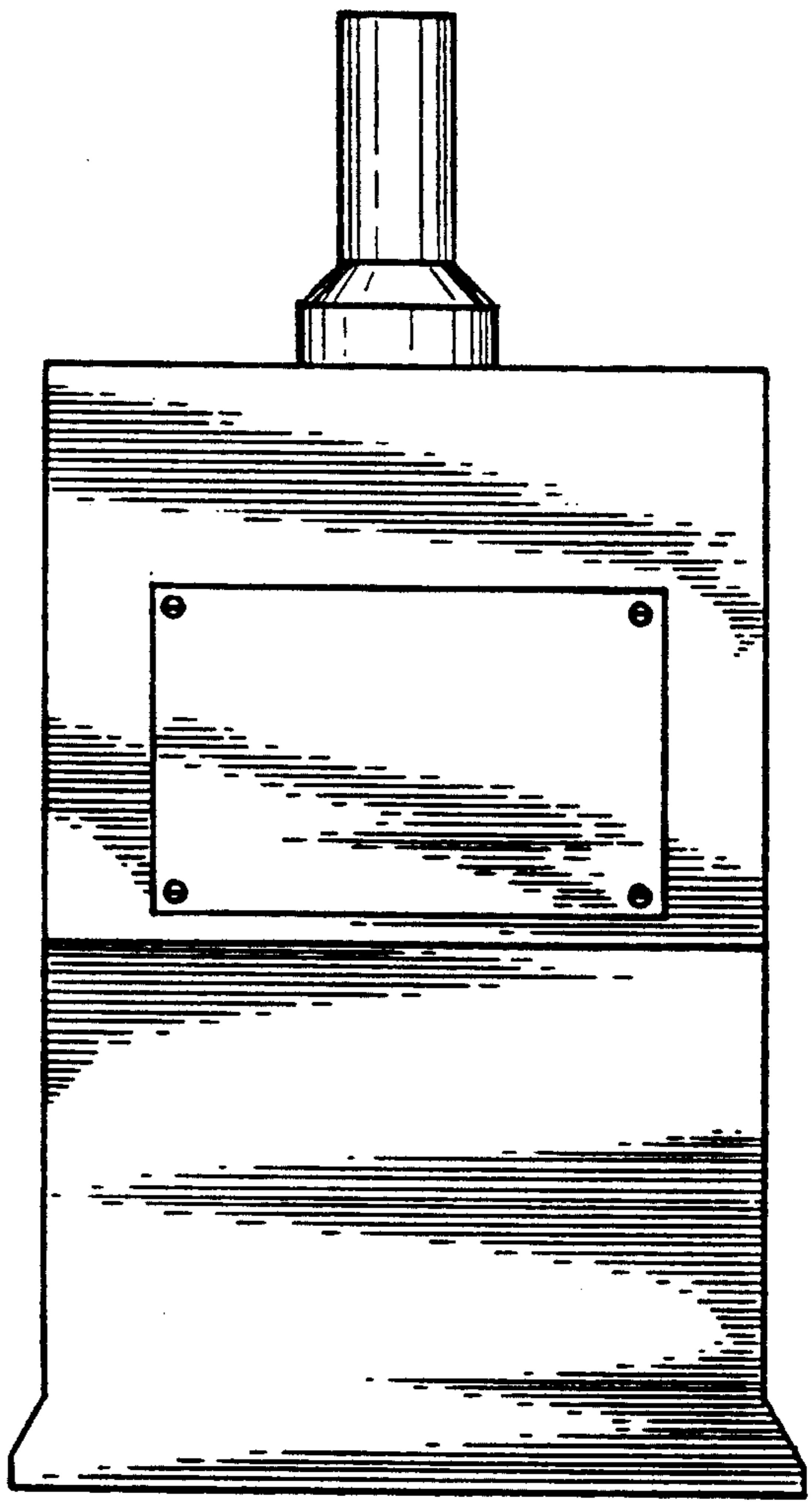


FIG. 5

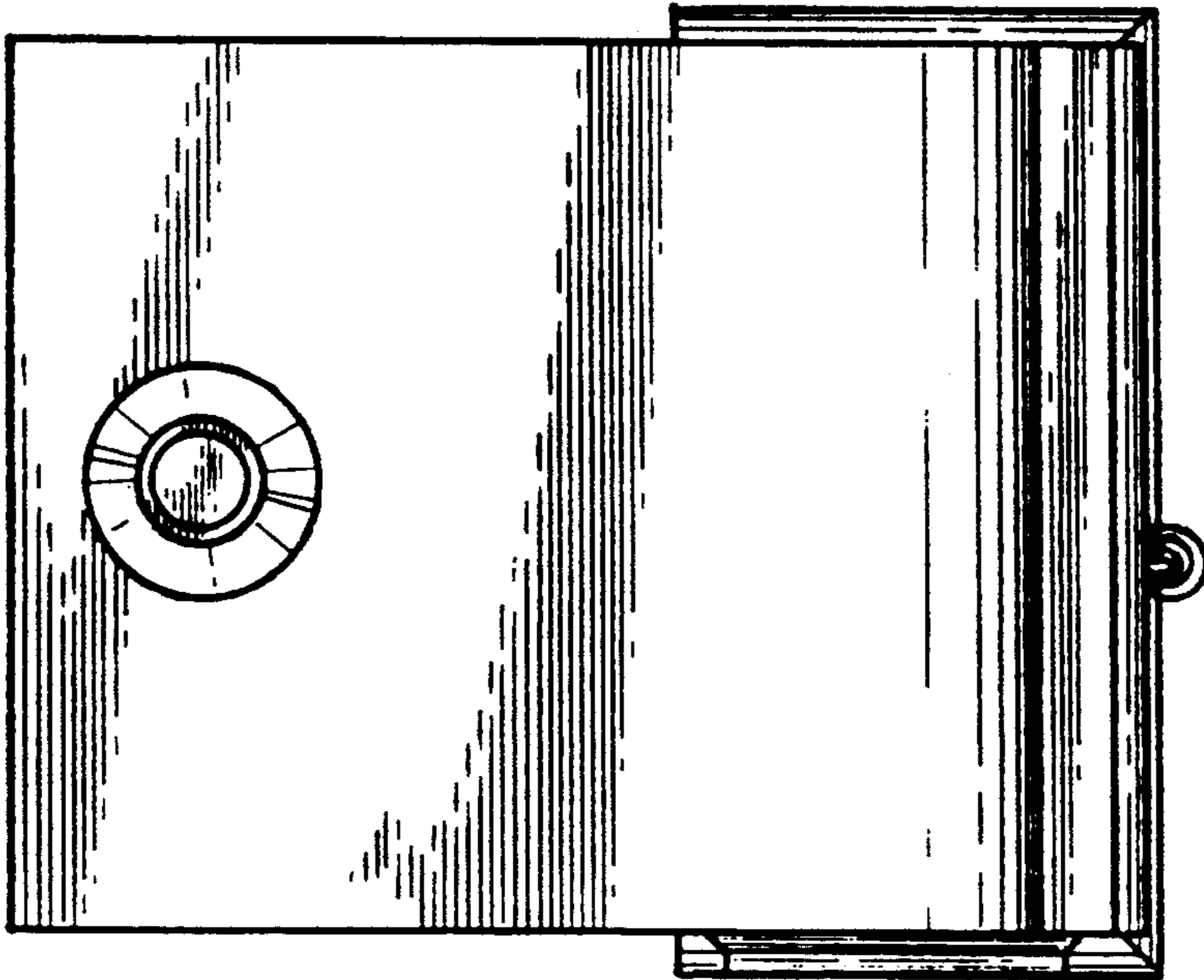


FIG. 6

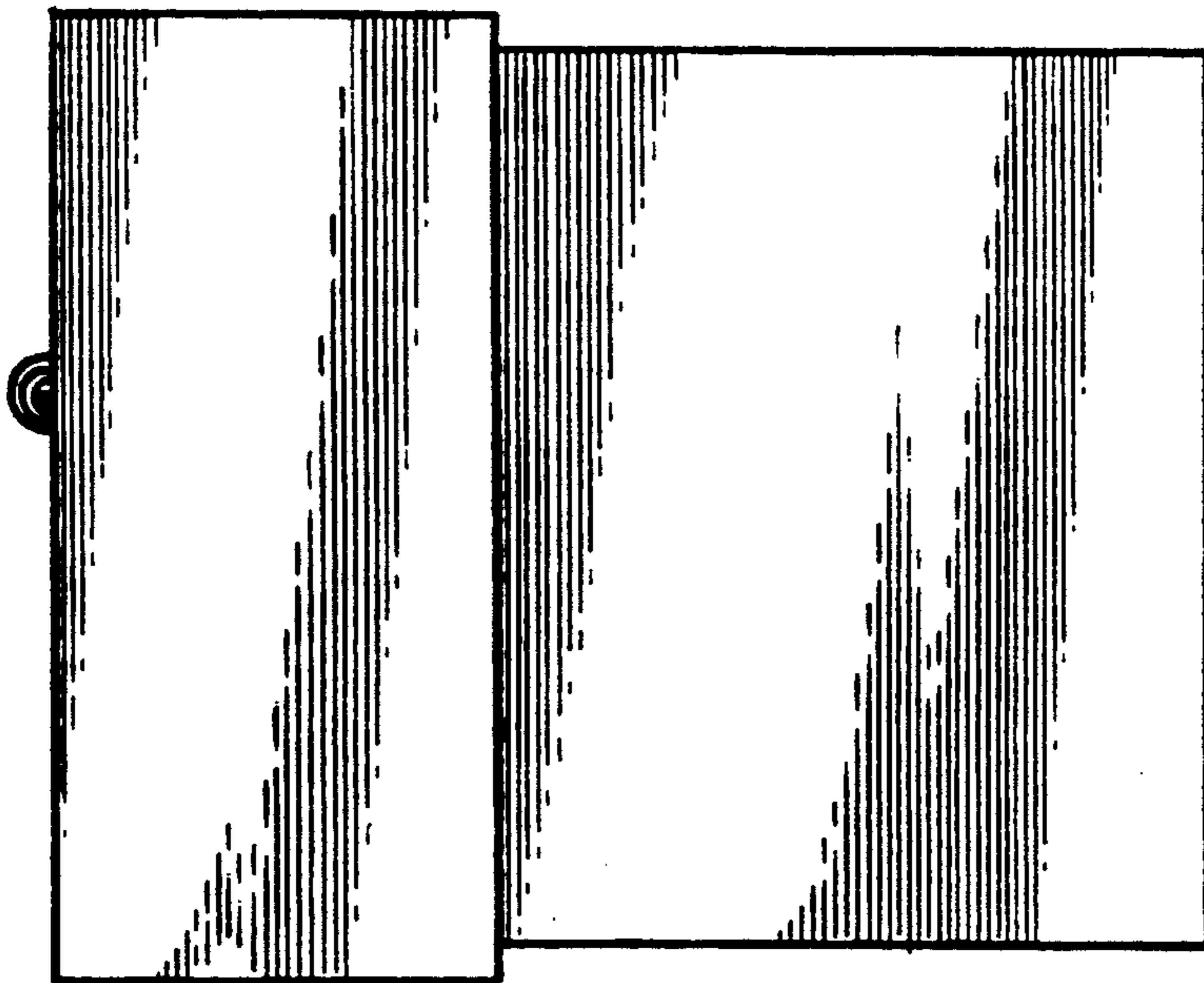


FIG. 7