



US00D345596S

United States Patent [19]

[11] Patent Number: **Des. 345,596**

Tyler

[45] Date of Patent: **** Mar. 29, 1994**

[54] VACUUM FLUSH TOILET

[75] Inventor: **Steven J. Tyler, Riverside, Calif.**

[73] Assignee: **Norcan Aircraft Corporation, Santa Ana, Calif.**

[**] Term: **14 Years**

[21] Appl. No.: **862,260**

[22] Filed: **Apr. 2, 1992**

[52] U.S. Cl. **D23/295**

[58] Field of Search 4/300, 316, 321, 322,
4/323, 420, 431, 432, 433, 434, 435;
D23/295-301

D. 292,733	11/1987	Robinson et al.	D23/295
3,811,135	5/1974	Drouhard, Jr. et al. .	
4,275,470	6/1981	Badger et al. .	
4,357,719	11/1982	Badger et al. .	
4,376,315	3/1983	Badger et al. .	
4,521,925	6/1985	Chen et al. .	

Primary Examiner—James R. Largen
Attorney, Agent, or Firm—Knobbe, Martens, Olson & Bear

[57] CLAIM

The ornamental design for a vacuum flush toilet, as shown and described.

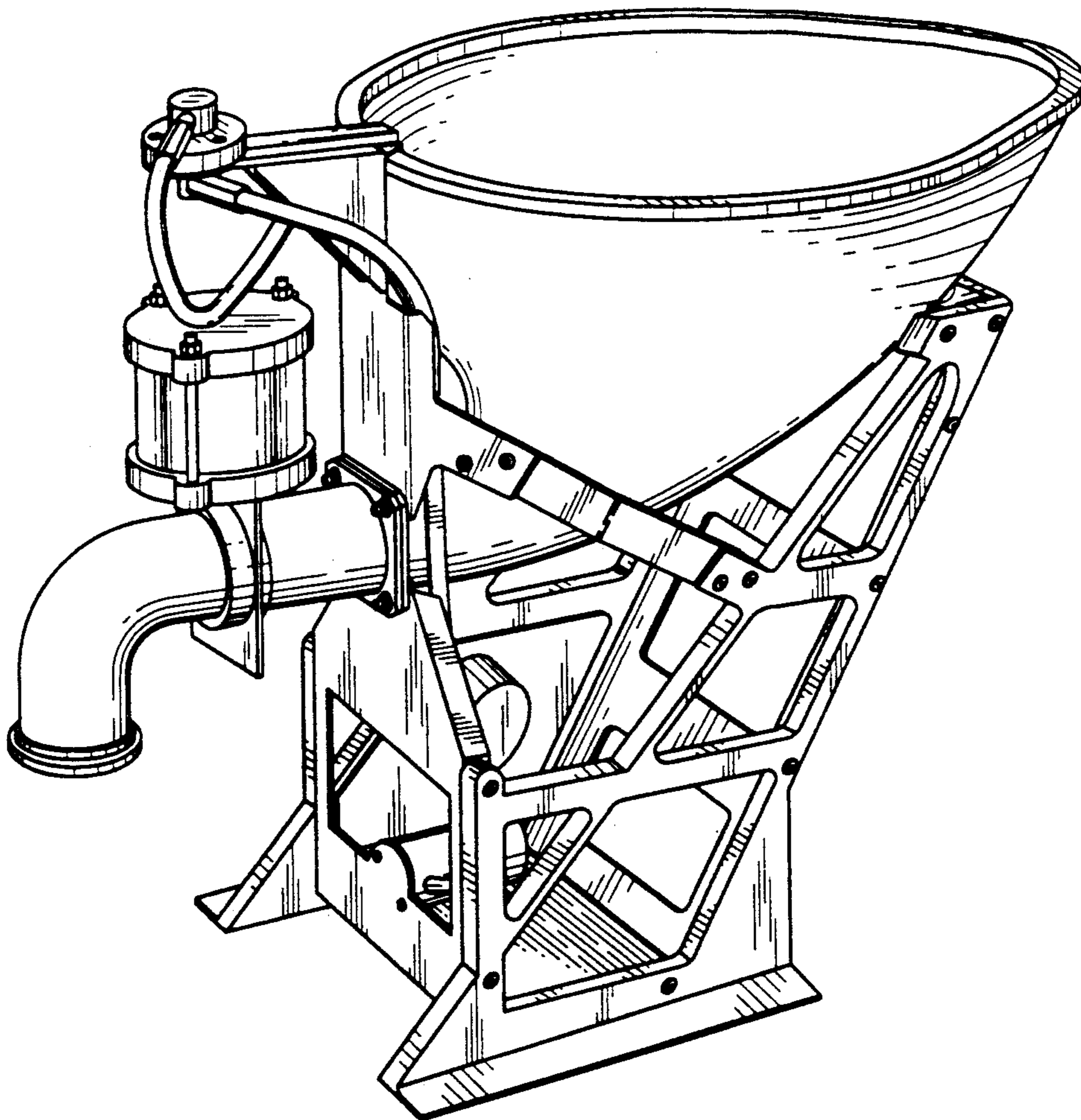
DESCRIPTION

FIG. 1 is a rear perspective view of a vacuum flush toilet showing my new design;
 FIG. 2 is a top plan view thereof;
 FIG. 3 is a bottom plan view thereof;
 FIG. 4 is a right side elevational view thereof;
 FIG. 5 is a left side elevational view thereof;
 FIG. 6 is a front elevational view thereof; and,
 FIG. 7 is a rear elevational view thereof.

[56] References Cited

U.S. PATENT DOCUMENTS

D. 16,139	6/1885	Mansur	D23/295
D. 44,911	11/1913	Alpaugh	D23/295
D. 114,166	4/1939	Andersen et al.	D23/295
D. 114,167	4/1939	Andersen et al.	D23/295
D. 198,122	5/1964	Whitehouse	D23/295



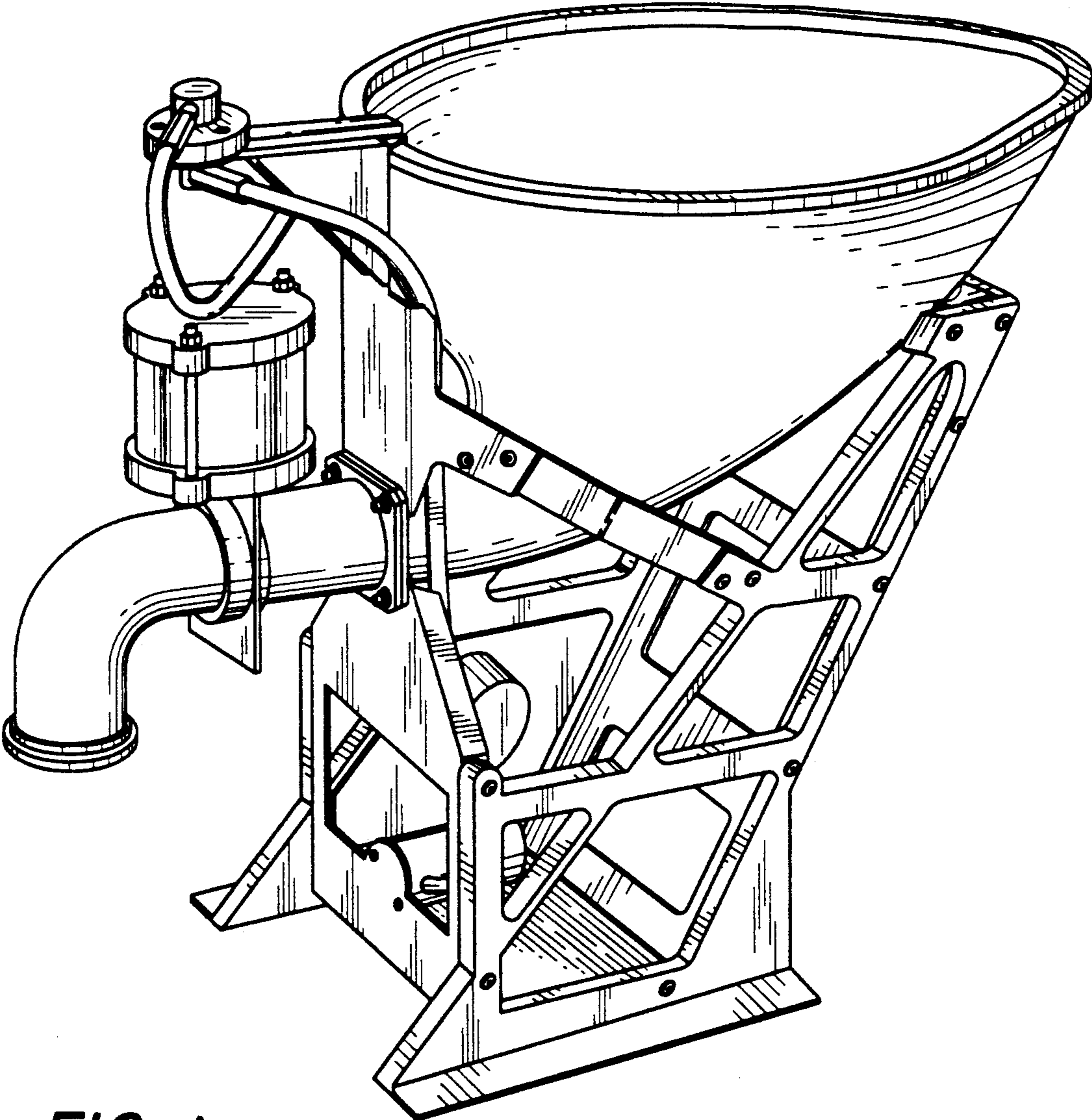


FIG. 1

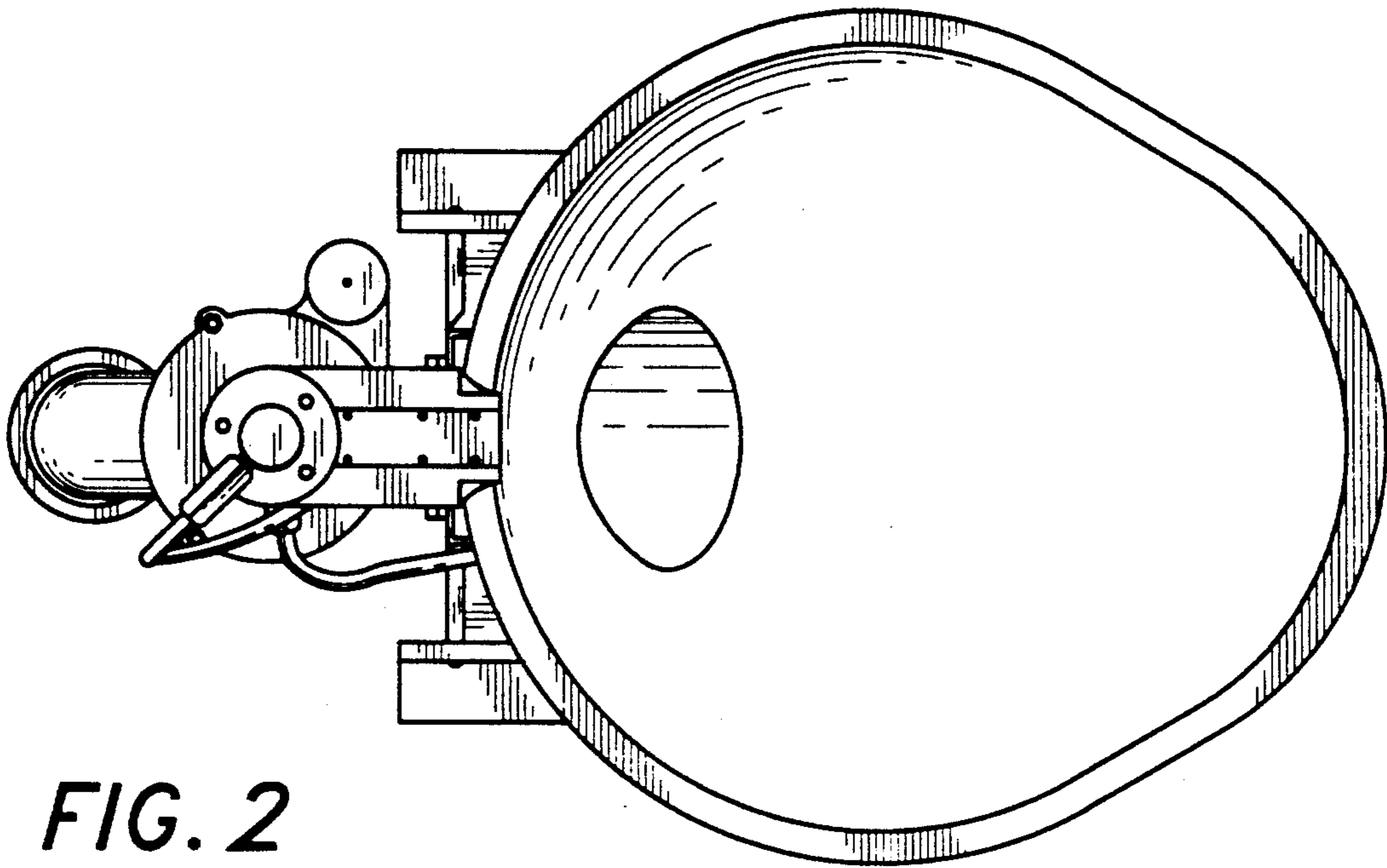


FIG. 2

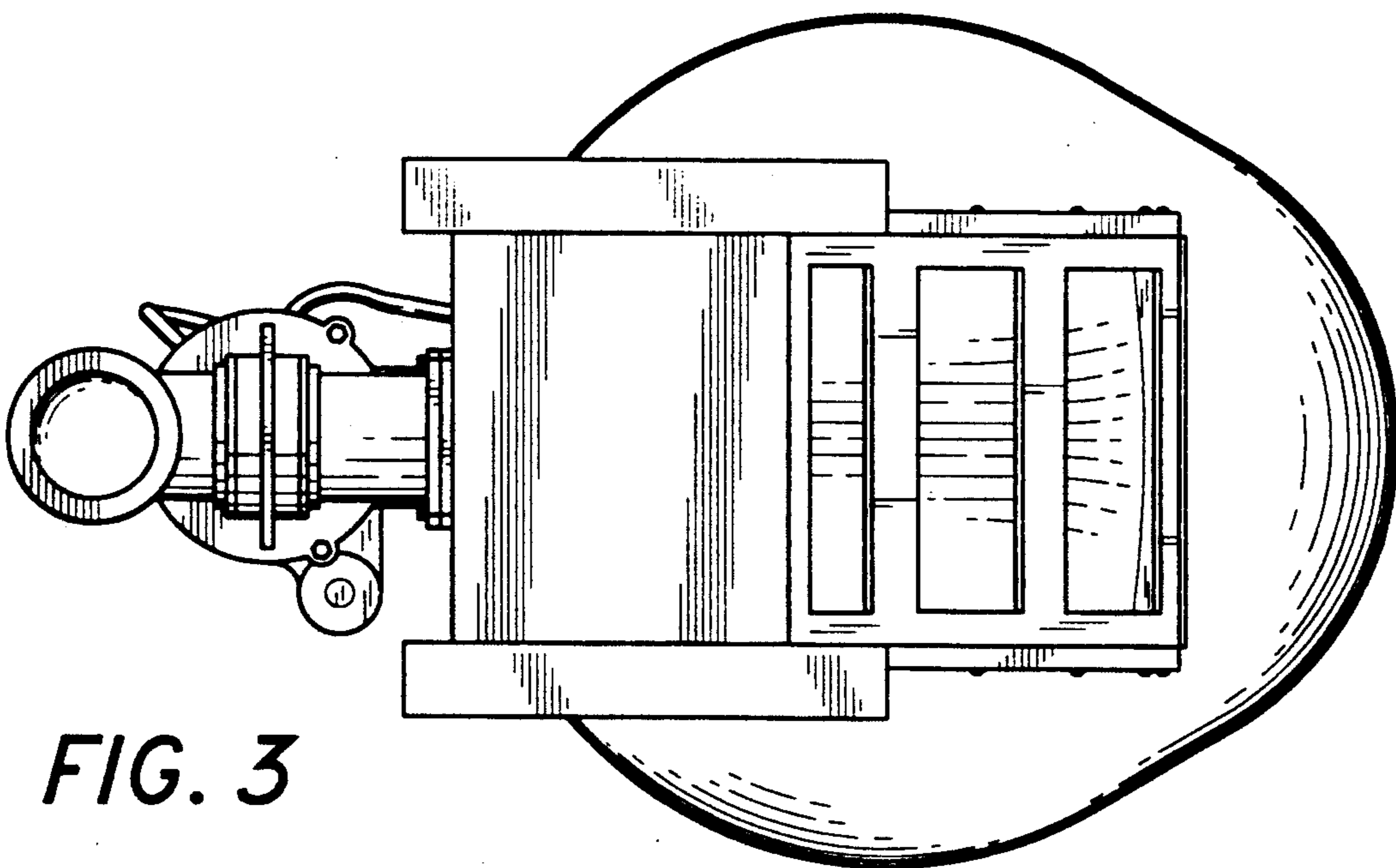


FIG. 3

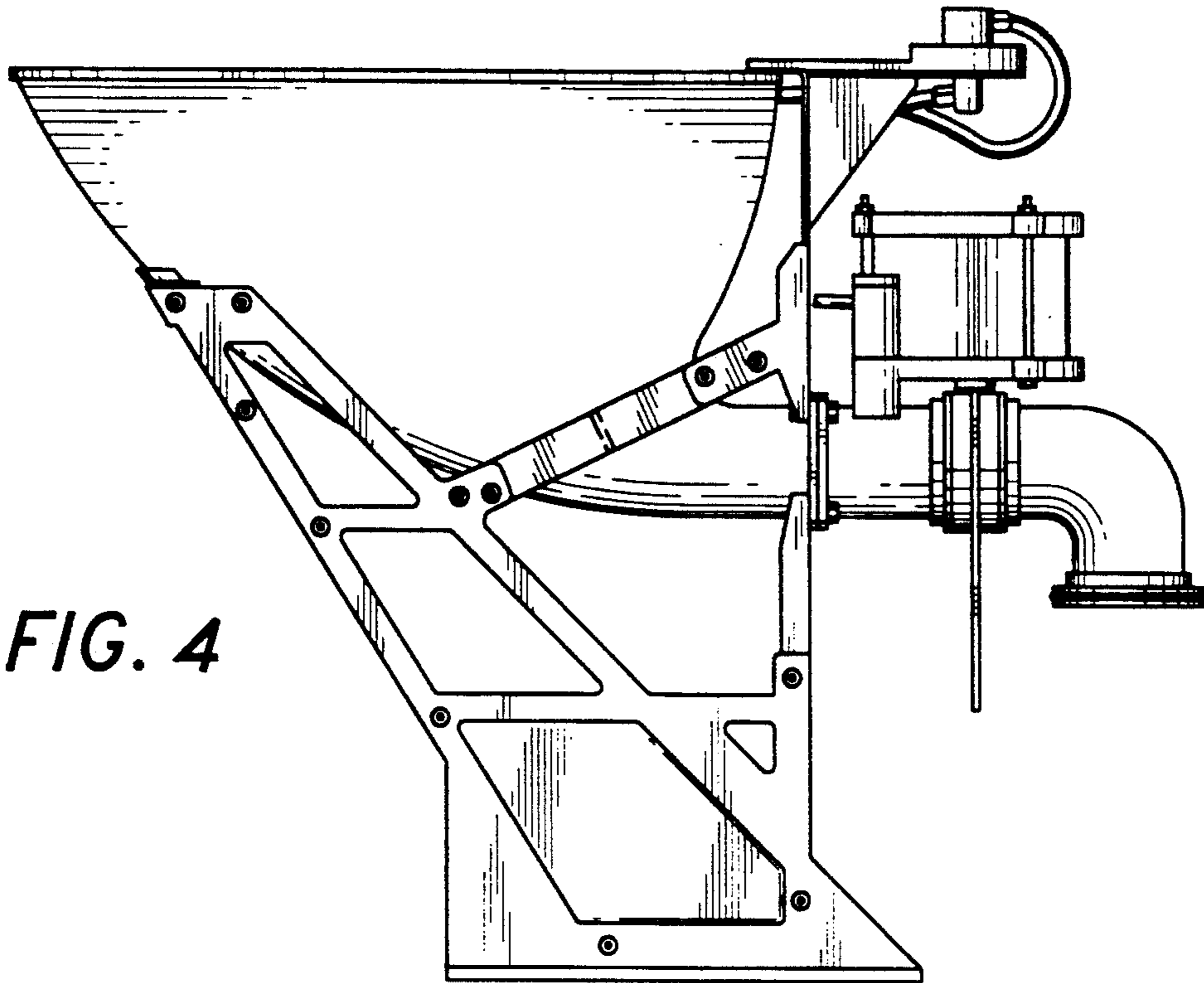


FIG. 4

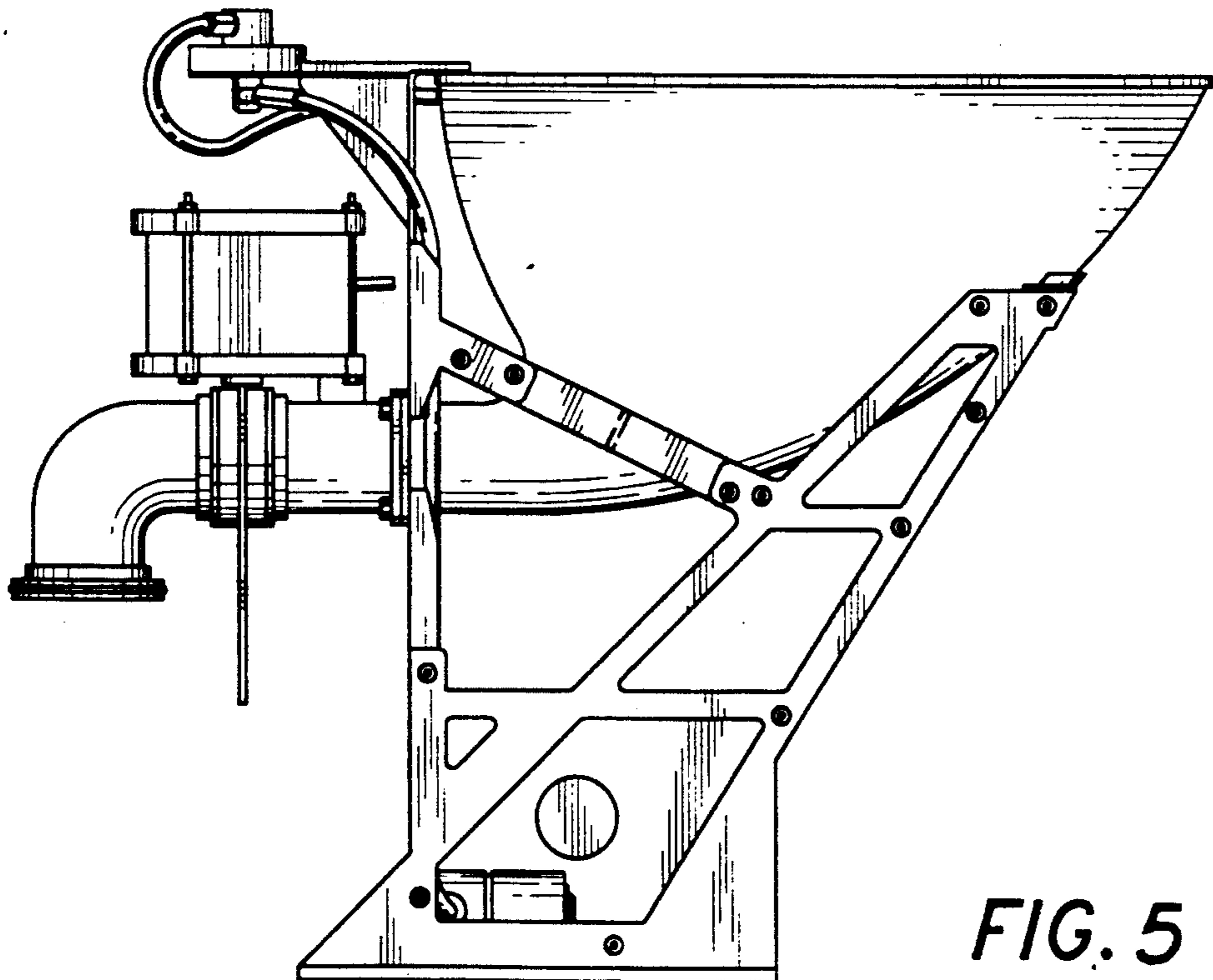


FIG. 5

FIG. 6

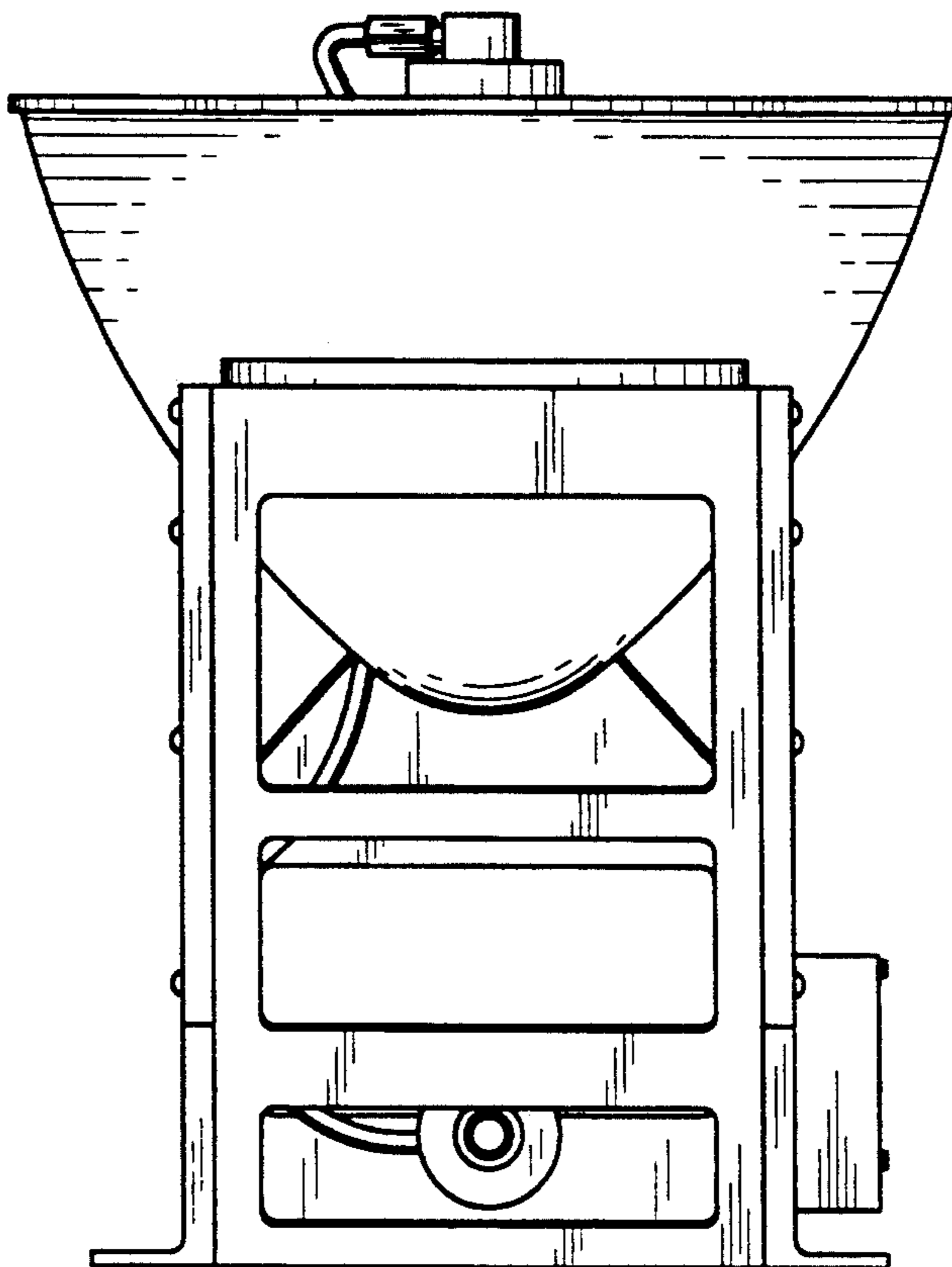


FIG. 7

