



US00D345593S

United States Patent [19]

[11] Patent Number: **Des. 345,593**

Gerschefske et al.

[45] Date of Patent: **** Mar. 29, 1994**

[54] **AEROBIC SKI MACHINE**

[75] Inventors: **Kevin Gerschefske**, Springfield;
Chuck Brazeal, Mansfield; **Rick Byrd**, Springfield, all of Mo.

[73] Assignee: **Stamina Products, Inc.**, Springfield, Mo.

[**] Term: **14 Years**

[21] Appl. No.: **898,353**

[22] Filed: **Jun. 5, 1992**

[52] U.S. Cl. **D21/191**

[58] Field of Search 482/70, 71, 72, 73,
482/118, 119; D21/191, 192, 194, 195

4,826,152 5/1989 Lo 482/70
4,867,443 9/1989 Jensen 482/70
4,948,121 8/1990 Haaheim et al. 482/70
4,979,731 12/1990 Hermelin 482/70
5,064,190 11/1991 Holt 482/70

Primary Examiner—Bernard Ansher
Assistant Examiner—Philip Hyder
Attorney, Agent, or Firm—Kokjer, Kircher, Bowman & Johnson

[57] CLAIM

The ornamental design for an aerobic ski machine, as shown and described.

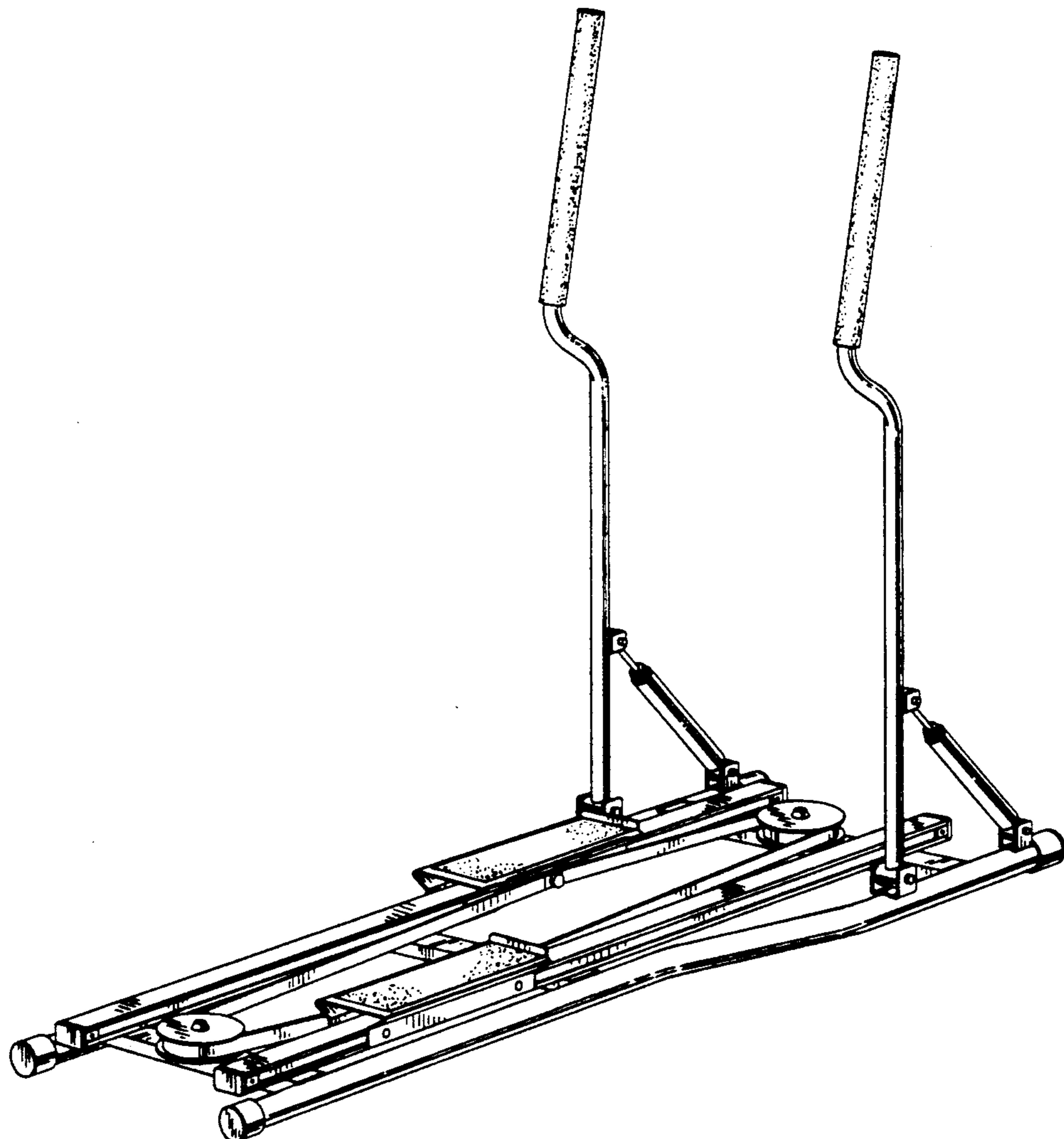
DESCRIPTION

FIG. 1 is a right side elevational view of an aerobic ski machine embodying our design the left side being a mirror image thereof;
FIG. 2 is a top plan view thereof;
FIG. 3 is a rear elevational view thereof;
FIG. 4 is a front elevational view thereof; and,
FIG. 5 is a perspective view thereof.

[56] **References Cited**

U.S. PATENT DOCUMENTS

D. 315,764 3/1991 Friedebach D21/191
4,618,139 10/1986 Haaheim 482/71
4,659,077 4/1987 Stropkay 482/71
4,813,667 3/1989 Watterson 482/51



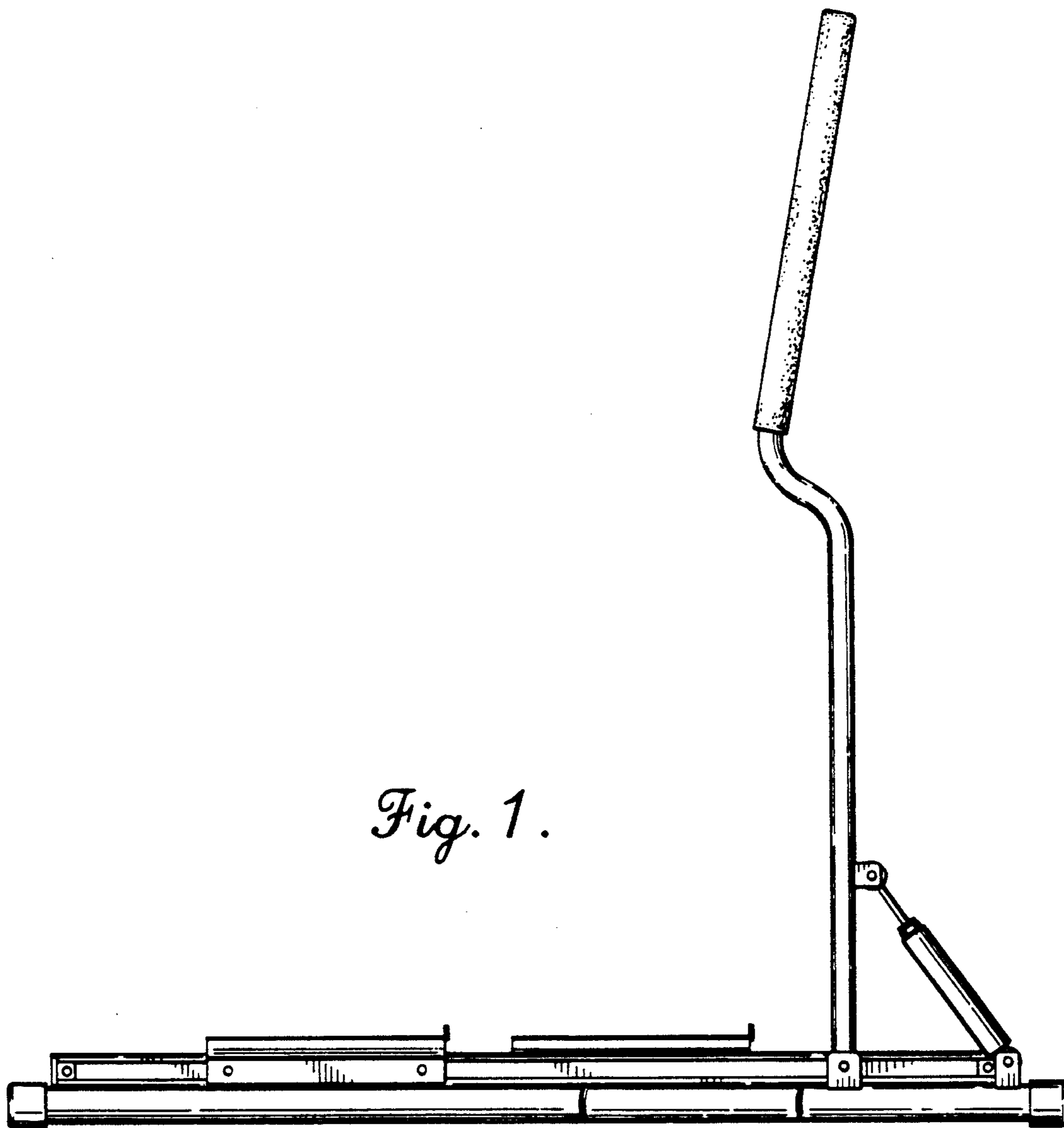


Fig. 1.

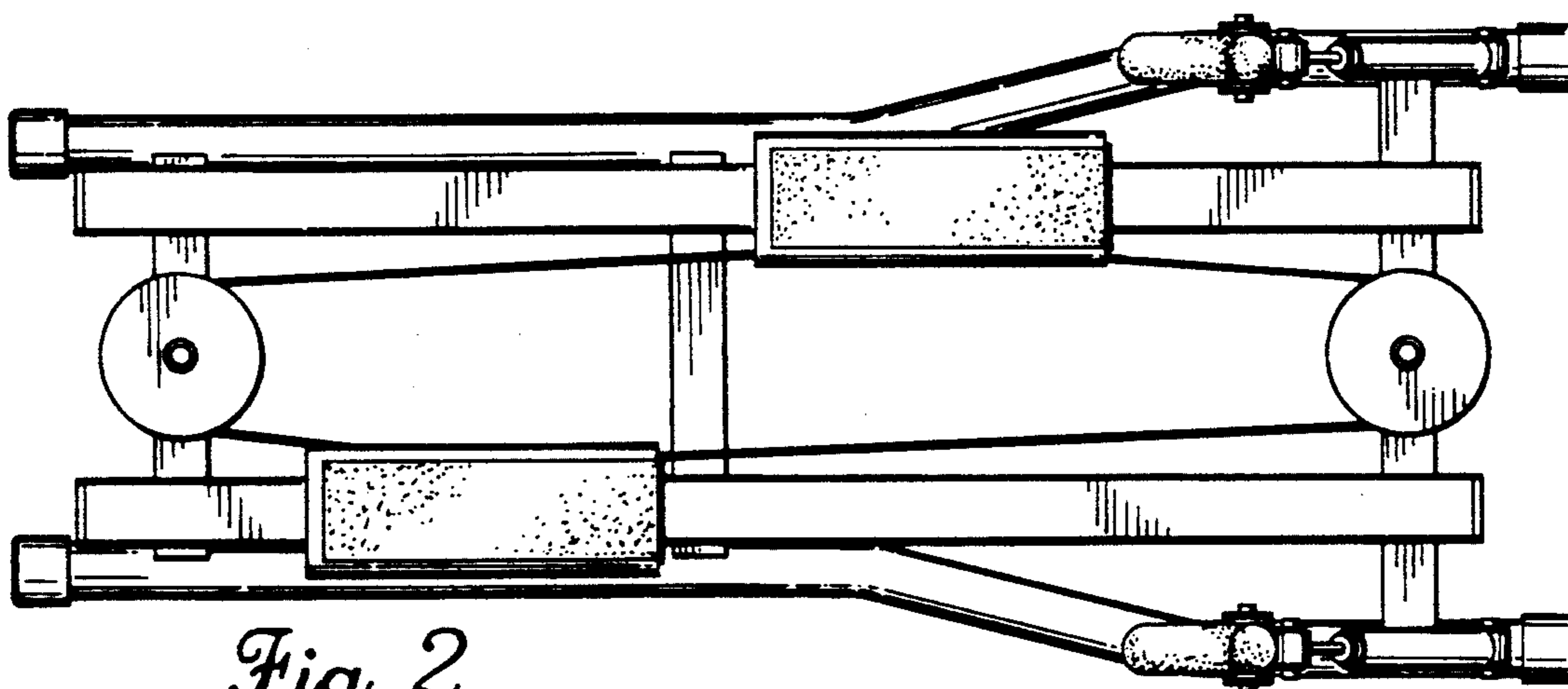


Fig. 2.

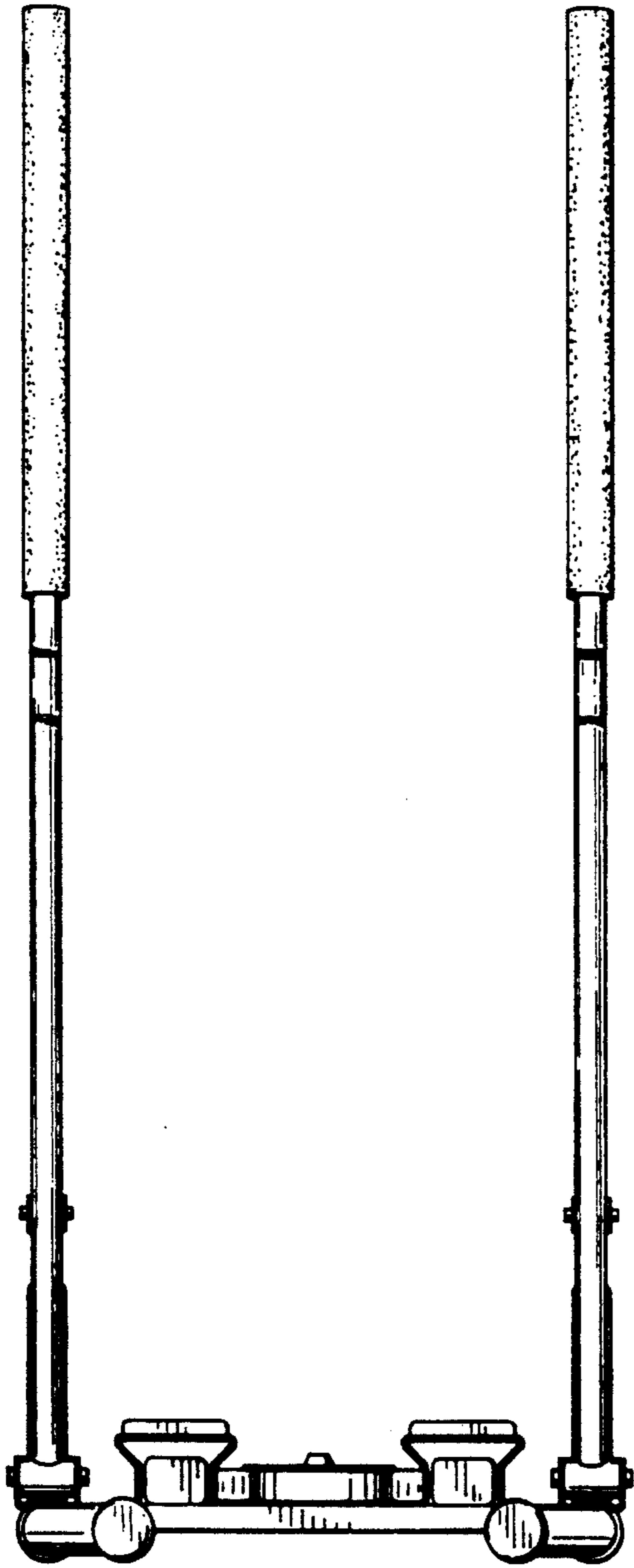


Fig. 3.

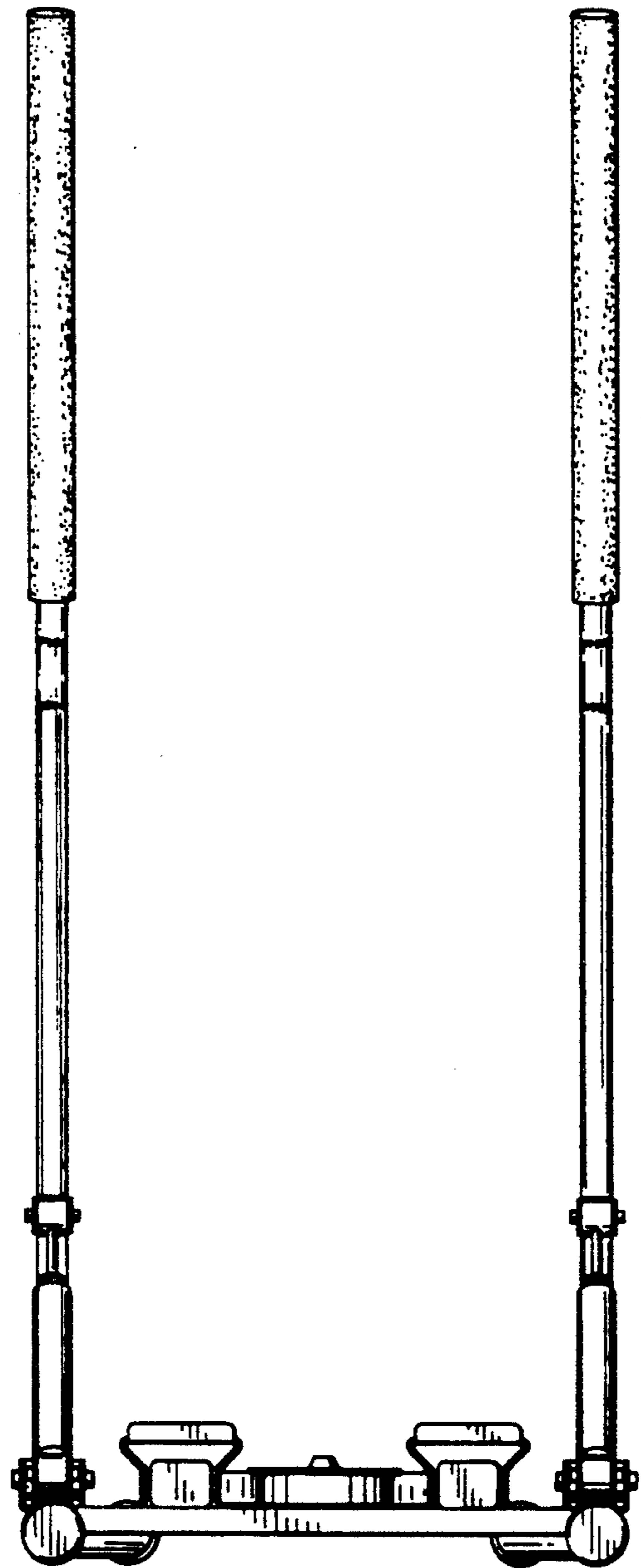


Fig. 4.

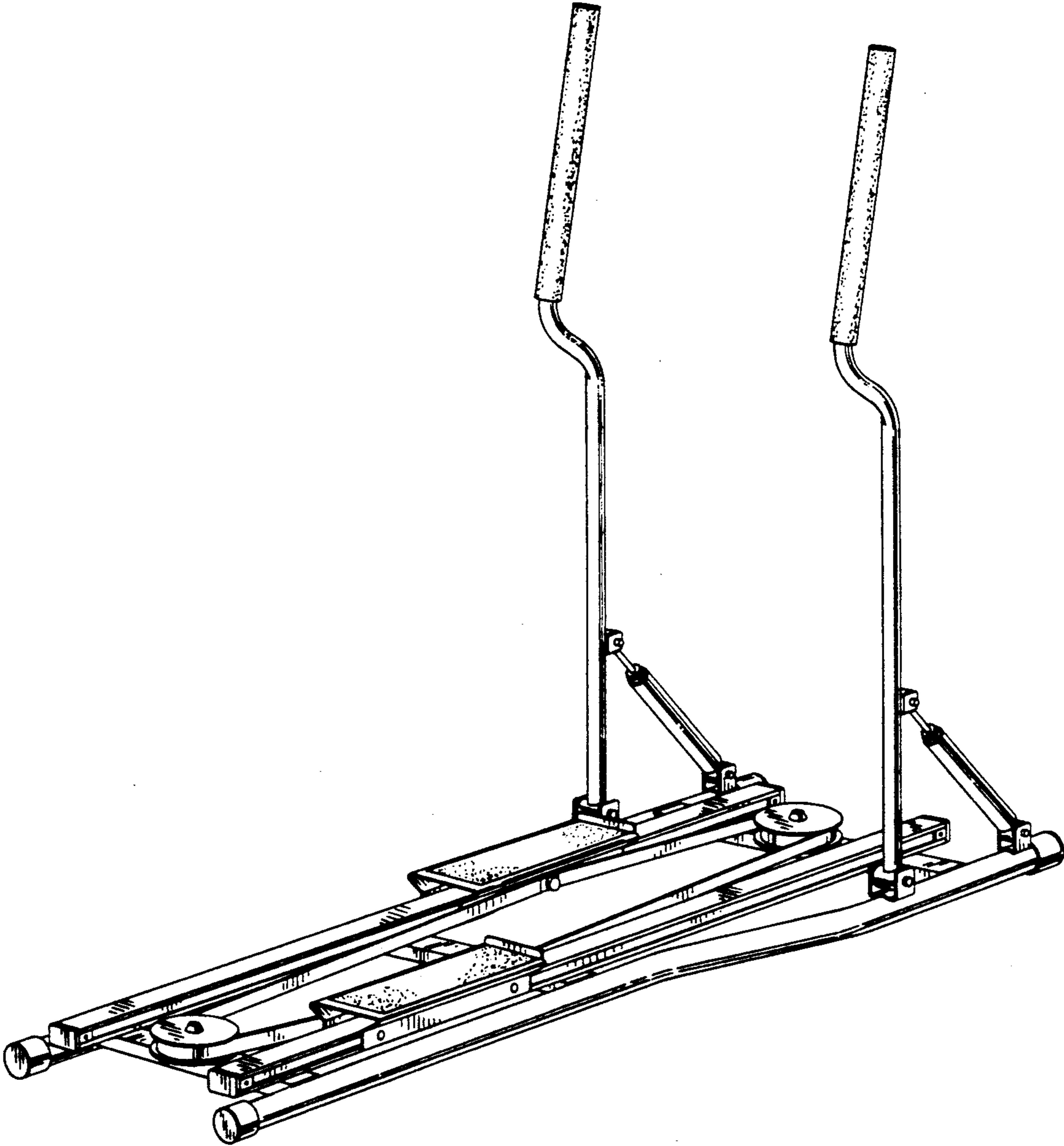


Fig. 5.