



US00D345589S

United States Patent [19]

[11] Patent Number: **Des. 345,589**

Berggreen

[45] Date of Patent: **** Mar. 29, 1994**

[54] TOY HELICOPTER

[75] Inventor: **Ib H. Berggreen**, Rungsted Kyst, Denmark

[73] Assignee: **Interlego A.G.**, Baar, Switzerland

[**] Term: **14 Years**

[21] Appl. No.: **1,918**

[22] Filed: **Nov. 24, 1992**

[52] U.S. Cl. **D21/90; D21/87**

[58] Field of Search **446/34, 36; 244/4 R, 244/6, 17.11; D21/82, 85, 87, 89, 90; D12/319, 327, 344**

[56] References Cited

U.S. PATENT DOCUMENTS

D. 262,553	1/1982	Fratarcangeli	D21/85
D. 289,781	5/1987	Dideriksen	D21/90
D. 338,693	8/1993	Krebs	D21/87 X
2,985,407	5/1961	Foster	D21/90 X

OTHER PUBLICATIONS

Hong Kong Toys; 1990; p. 139; Toy Helicopter.

Primary Examiner—Bernard Ansher

Assistant Examiner—Dominic Simone

Attorney, Agent, or Firm—Kane, Dalsimer, Sullivan, Kurucz, Levy, Eisele and Richard

[57] CLAIM

The ornamental design for a toy helicopter, as shown and described.

DESCRIPTION

FIG. 1 is a top perspective view of the toy helicopter showing my new design;

FIG. 2 is a left side elevational view thereof;

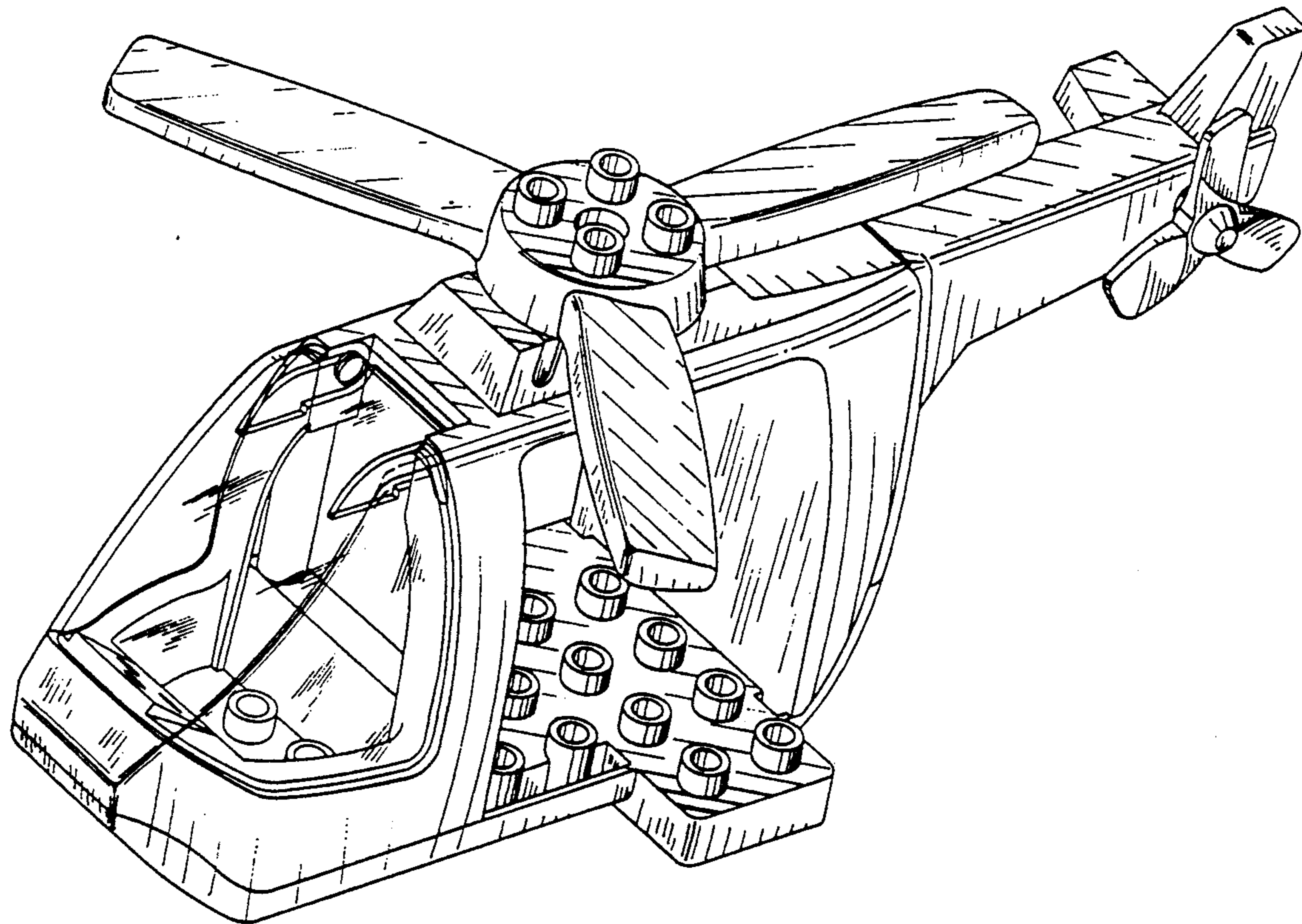
FIG. 3 is a front elevational view thereof;

FIG. 4 is a right side elevational view thereof;

FIG. 5 is a rear elevational view thereof;

FIG. 6 is a top plan view thereof; and,

FIG. 7 is a bottom plan view thereof.



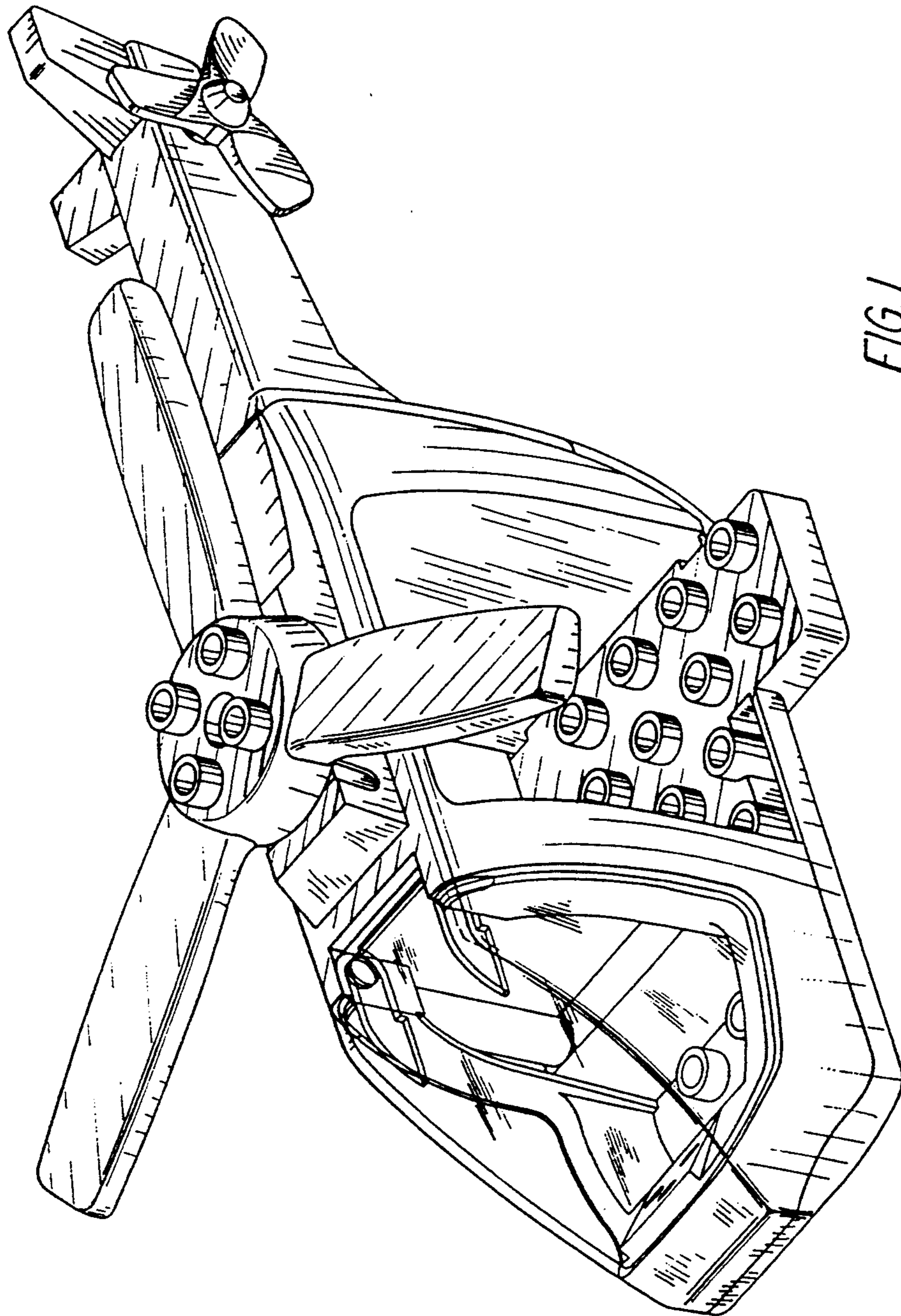


FIG. 1

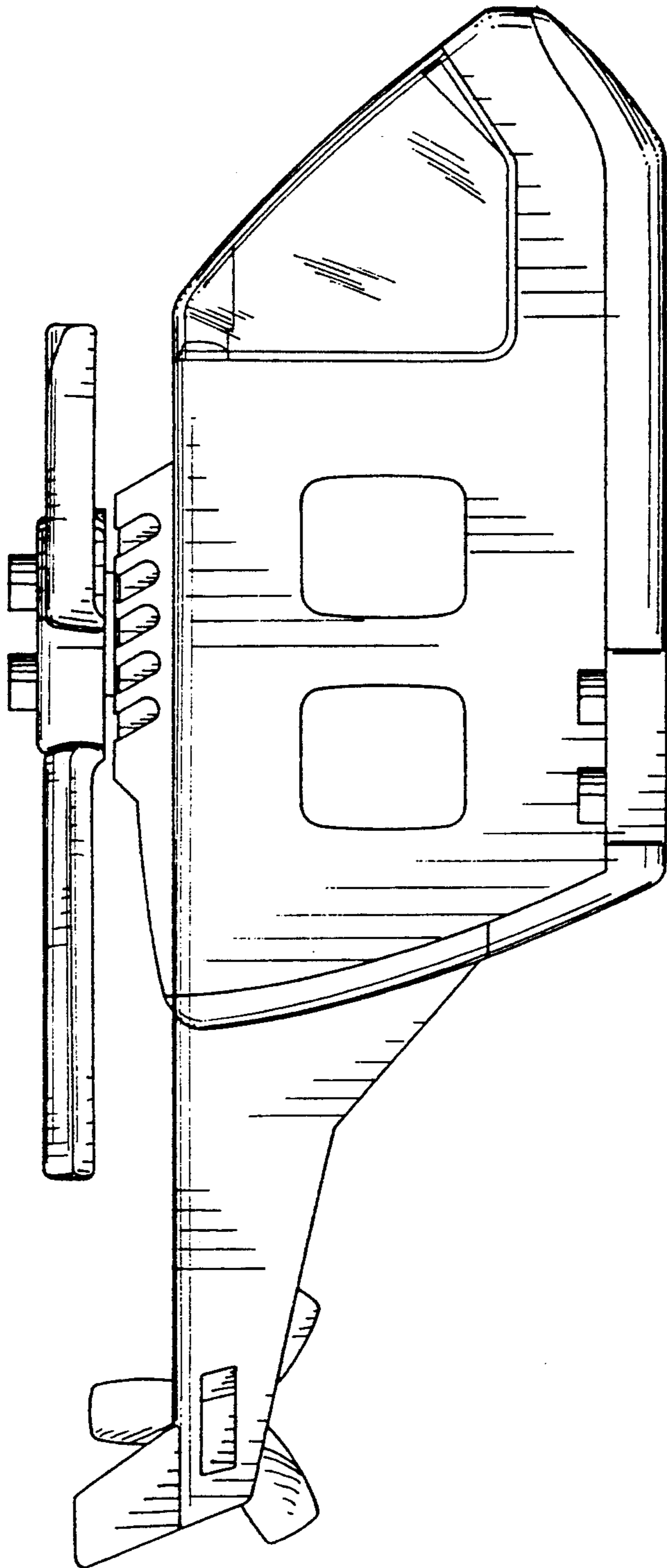


FIG. 2

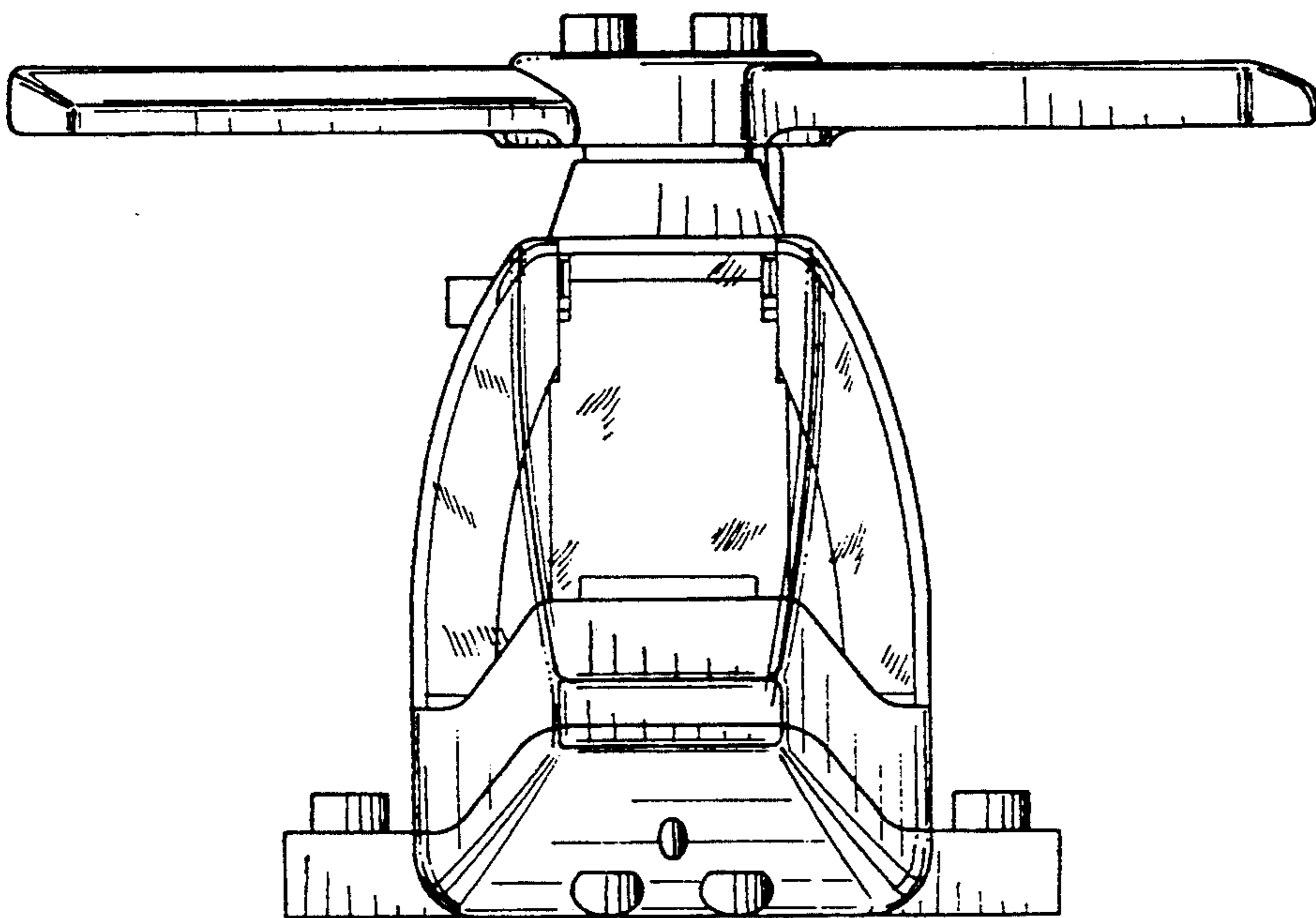


FIG. 3

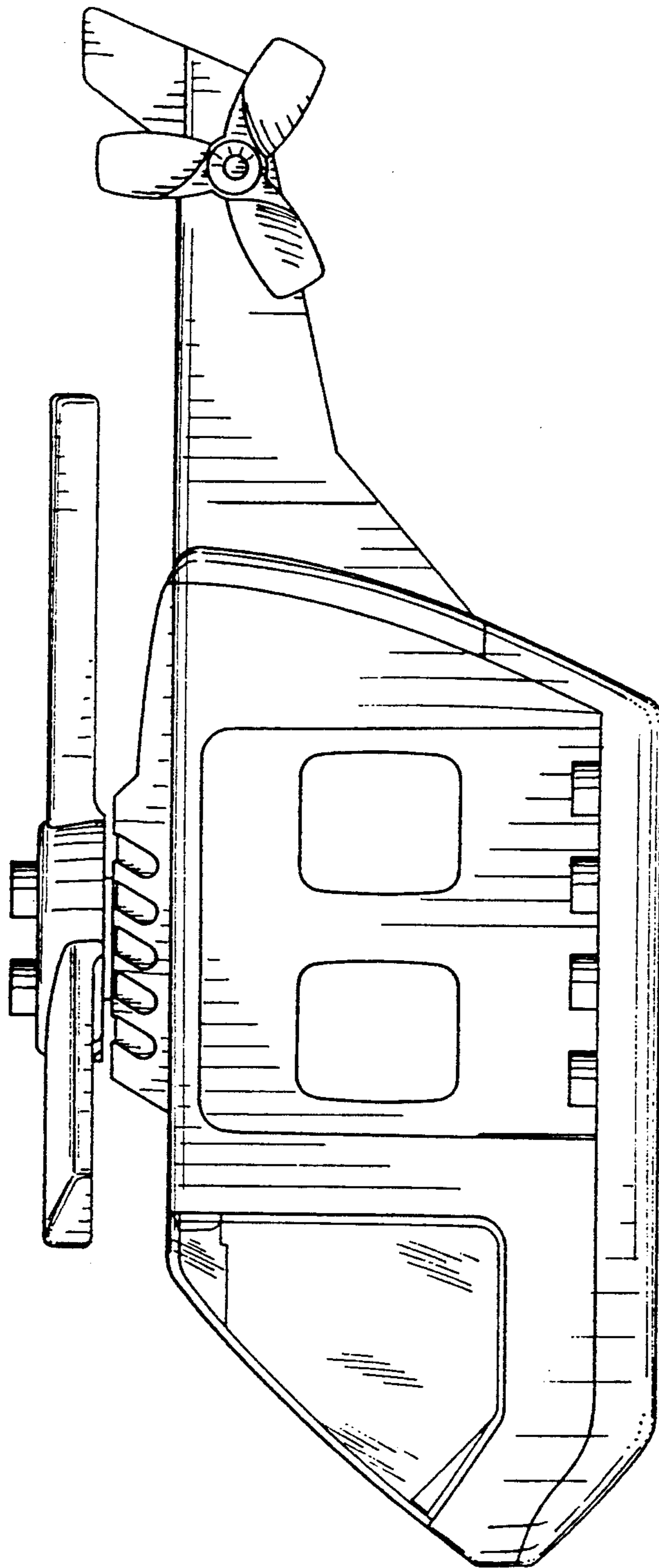


FIG. 4

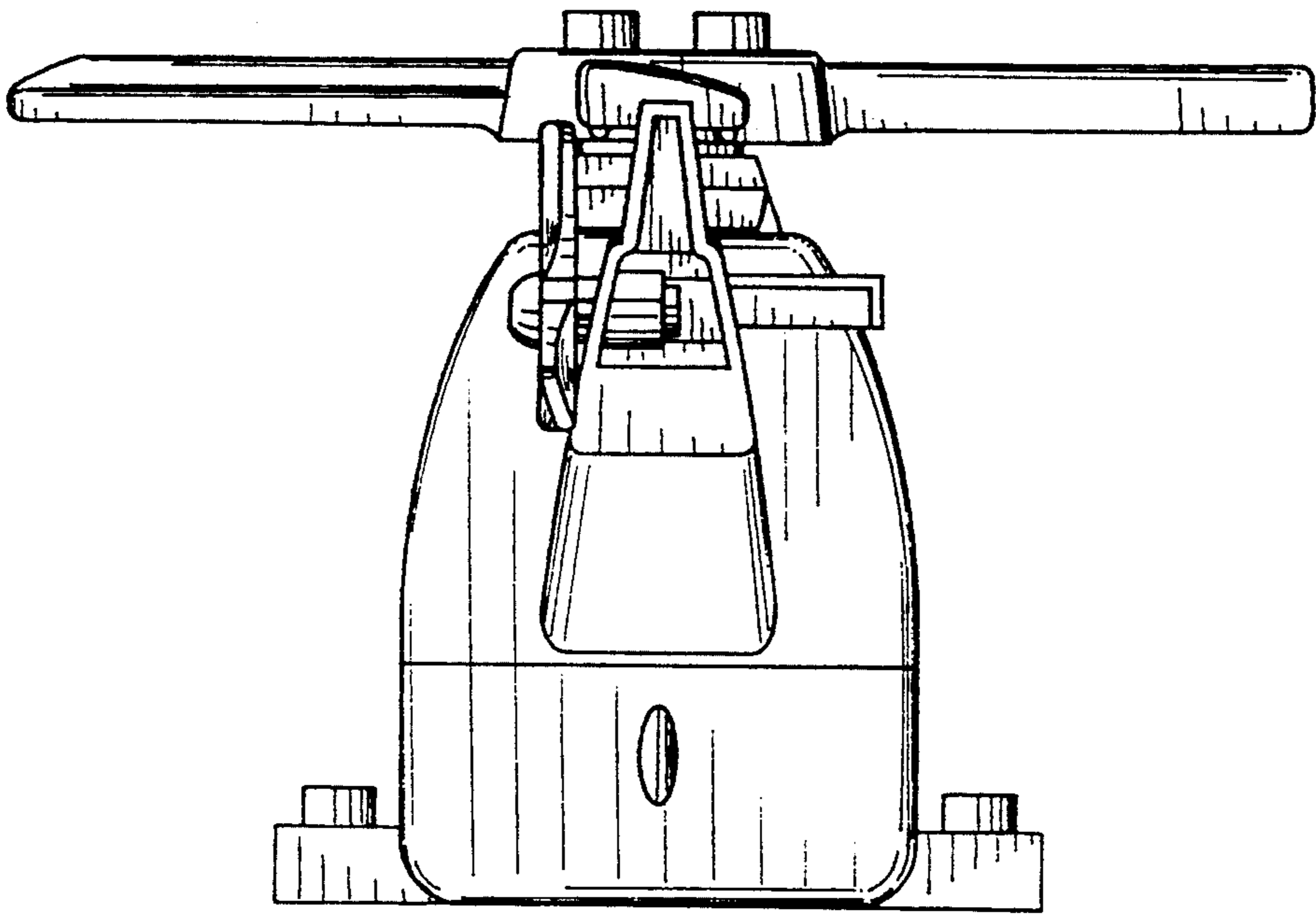


FIG. 5

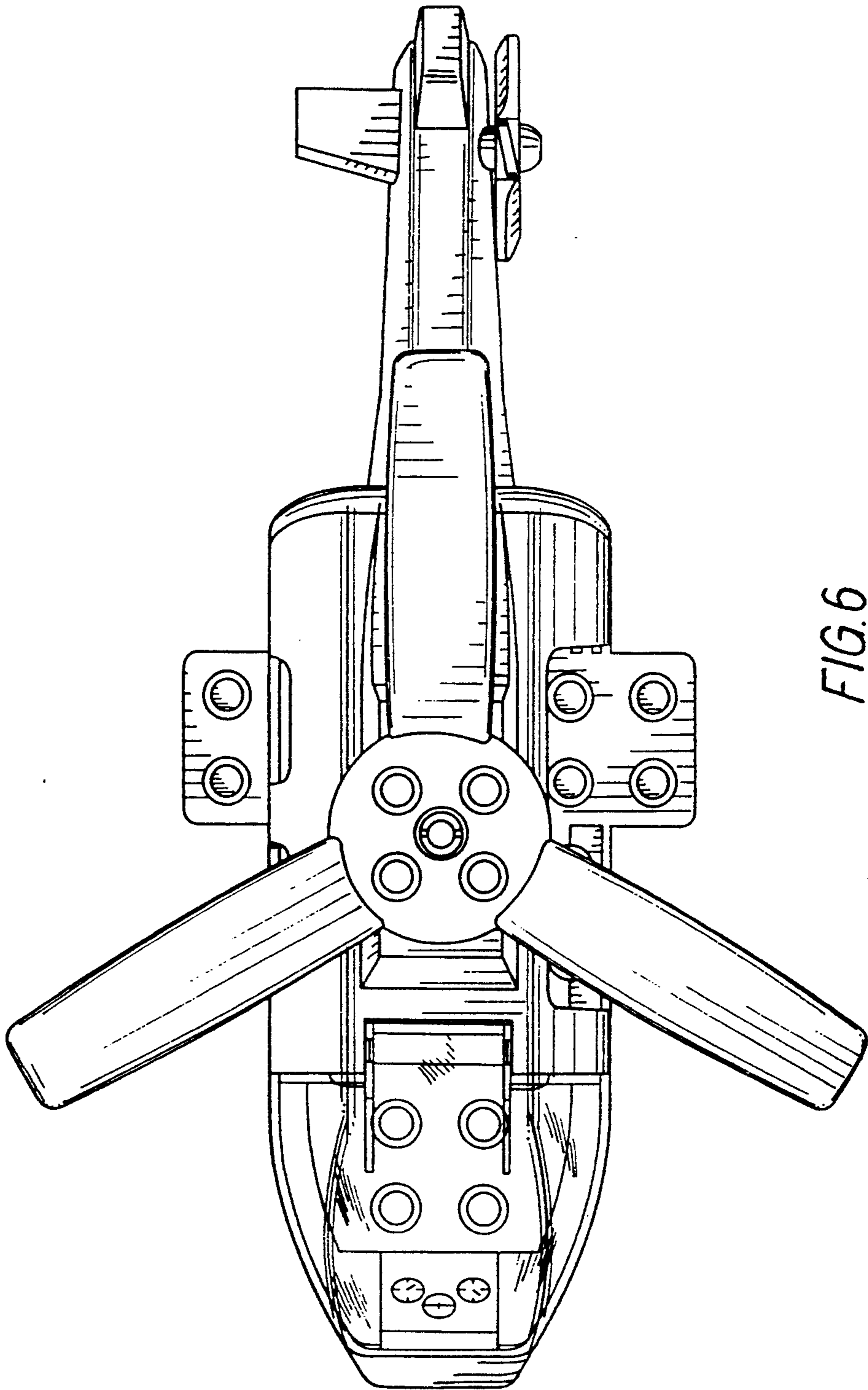


FIG. 6

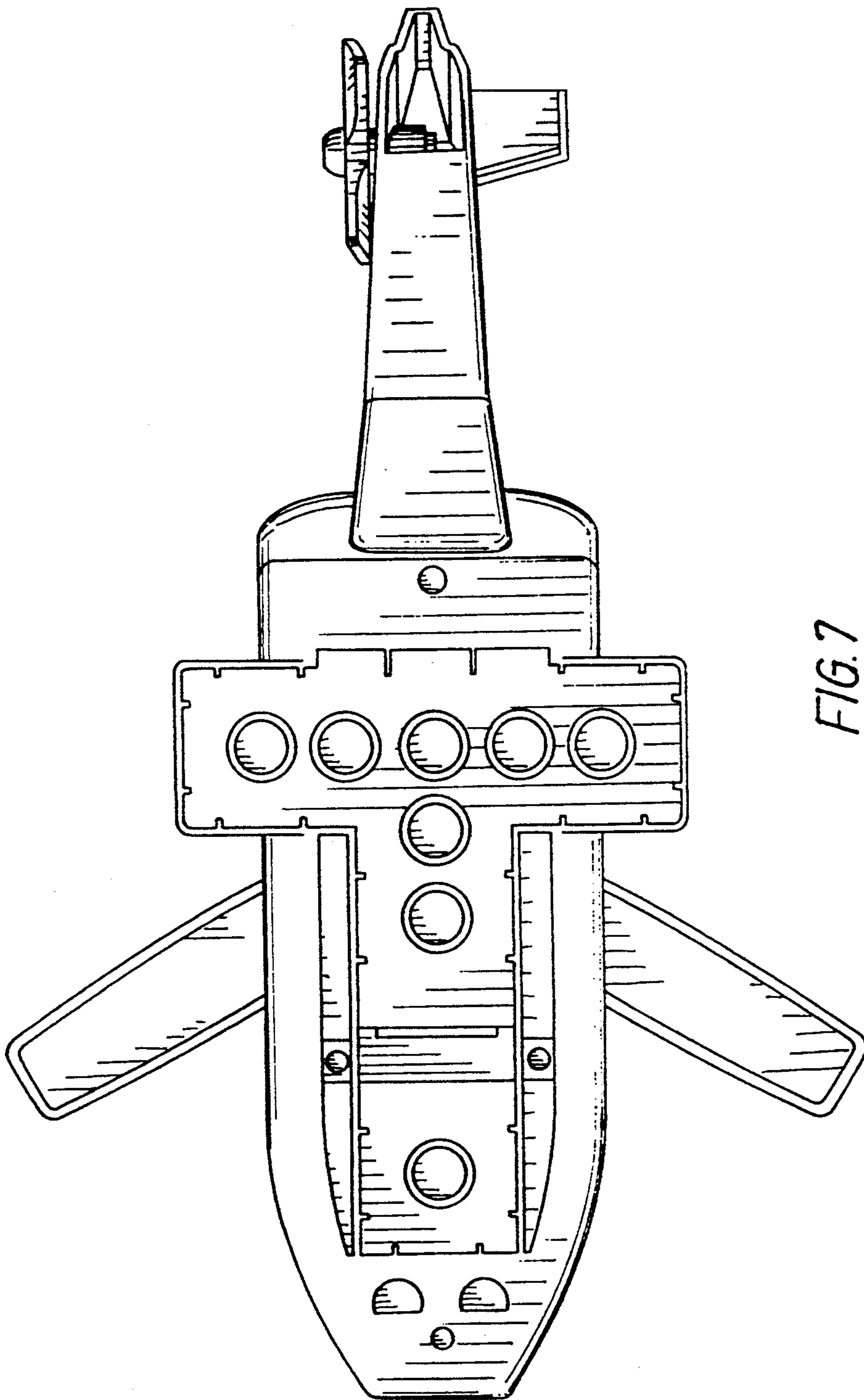


FIG. 7