



US00D345580S

United States Patent [19]

[11] Patent Number: **Des. 345,580**

Carter et al.

[45] Date of Patent: **** Mar. 29, 1994**

[54] **VIDEO FLIGHT SIMULATOR COCKPIT**

D. 188,376 7/1960 Hotkins D19/63 X

[75] Inventors: **Robert L. Carter**, Lake Oswego, Oreg.; **Gary L. Moffett**; **David W. Reeves**, both of Vancouver, Wash.

Primary Examiner—Wallace R. Burke
Assistant Examiner—Pamela Burgess
Attorney, Agent, or Firm—Marger, Johnson, McCollom & Stolowitz

[73] Assignee: **Thrustmaster, Inc.**, Tigard, Oreg.

[57] **CLAIM**

[**] Term: **14 Years**

The ornamental design for video flight simulator cockpit, as shown and described.

[21] Appl. No.: **3,926**

DESCRIPTION

[22] Filed: **Jan. 21, 1993**

[52] U.S. Cl. **D19/63**

[58] Field of Search **434/29, 30, 32, 38, 434/43, 51, 55, 37; 446/7; D19/59, 60, 62, 63**

FIG. 1 is a left side perspective view of a video flight simulator cockpit, showing my new design;
FIG. 2 is a rear elevation view thereof;
FIG. 3 is a top plan view thereof;
FIG. 4 is a left side elevation view, the undisclosed right side being a mirror image thereof;
FIG. 5 is a front elevation view; and,
FIG. 6 is a bottom plan view thereof.

[56] **References Cited**

U.S. PATENT DOCUMENTS

D. 146,076 12/1946 Dehmel D19/63

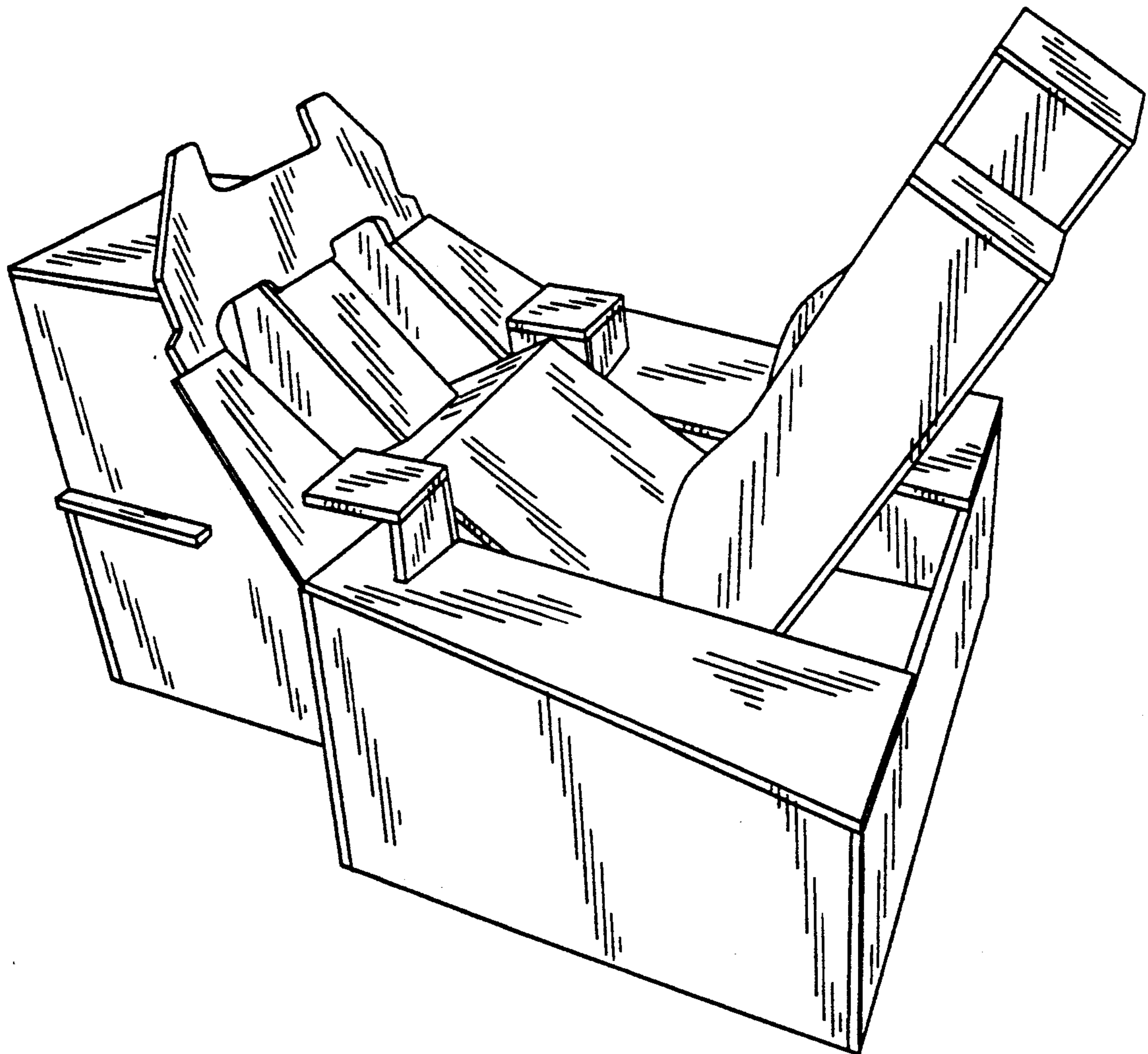


FIG. 1

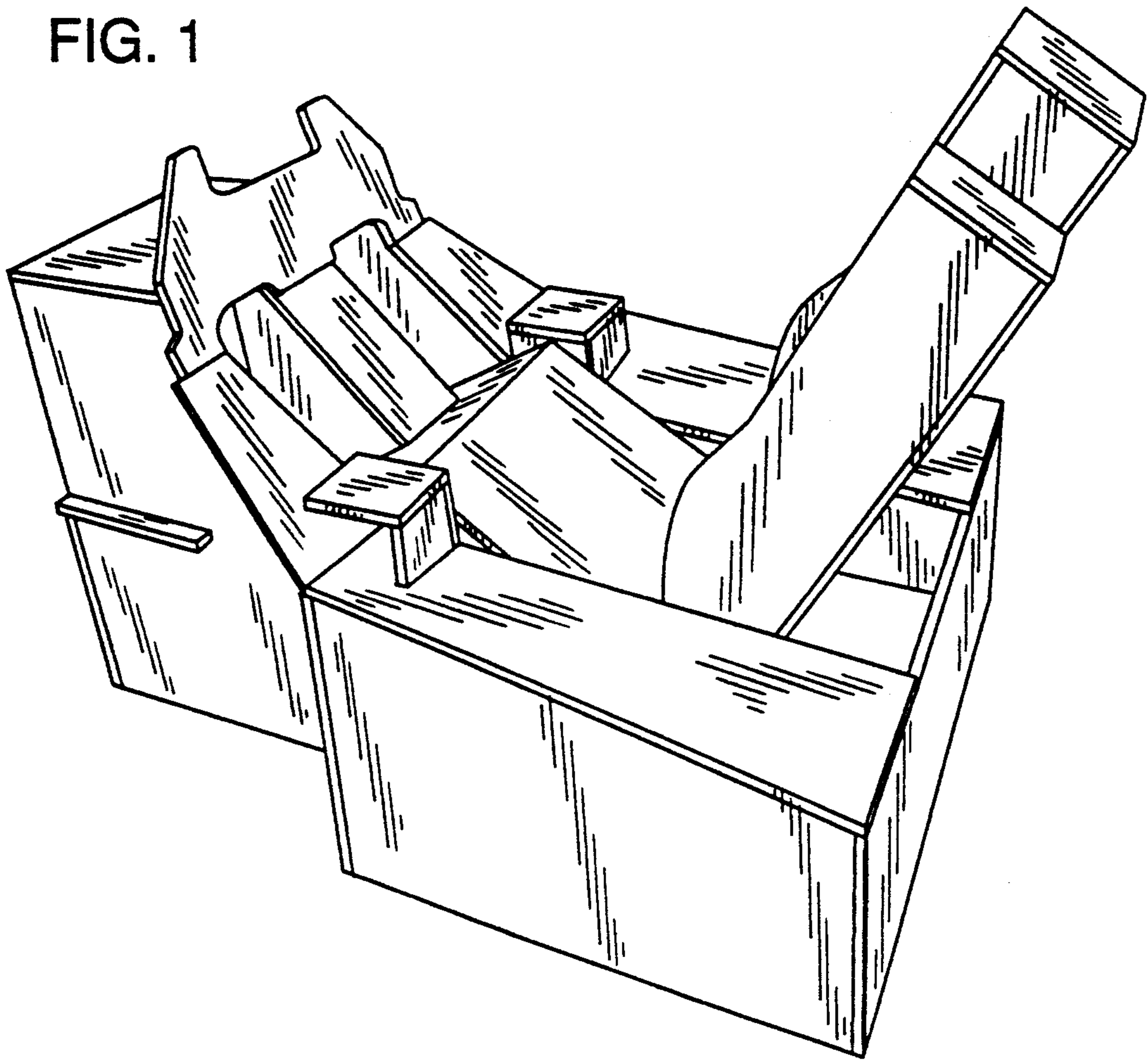


FIG. 2

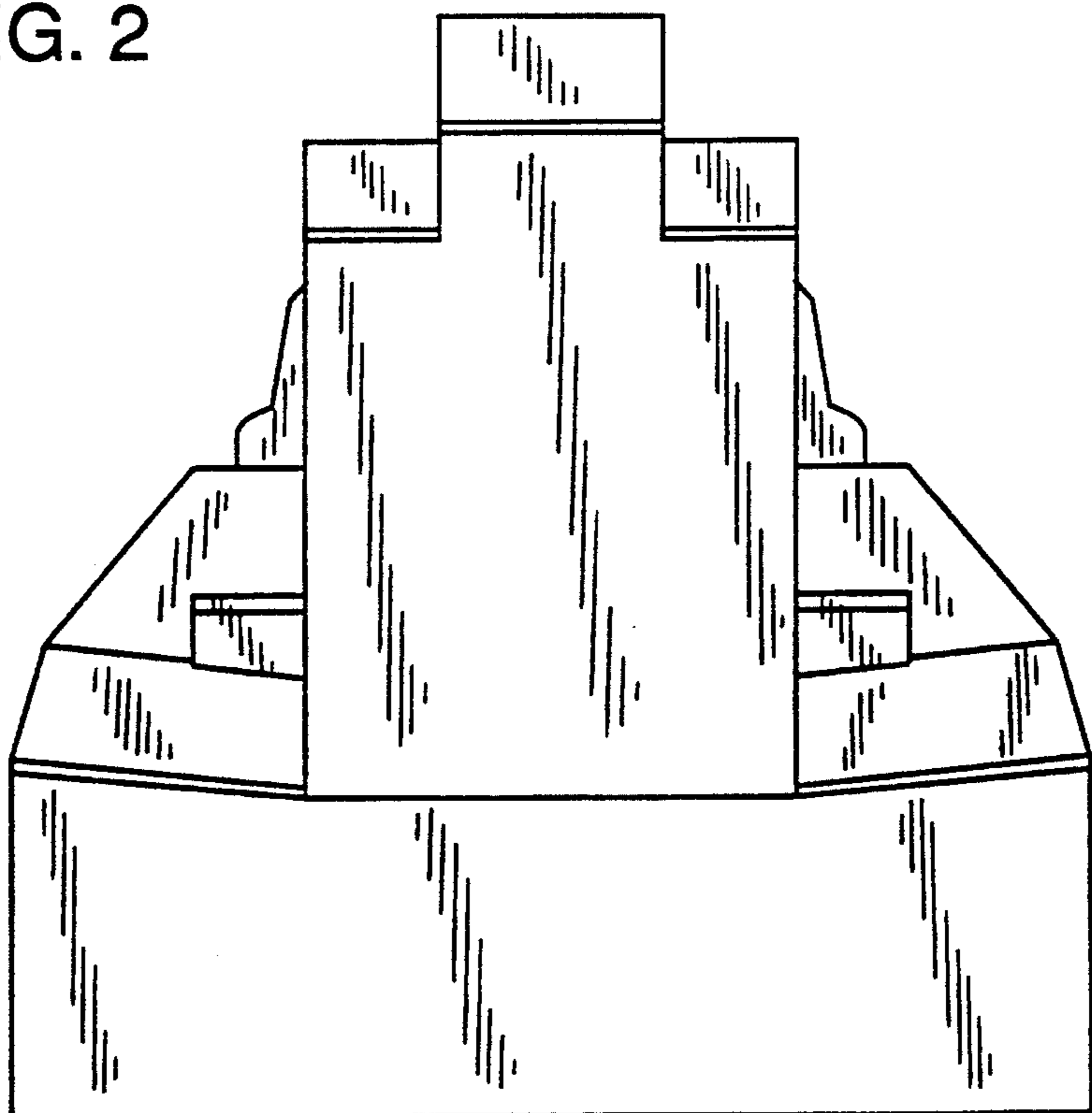


FIG. 3

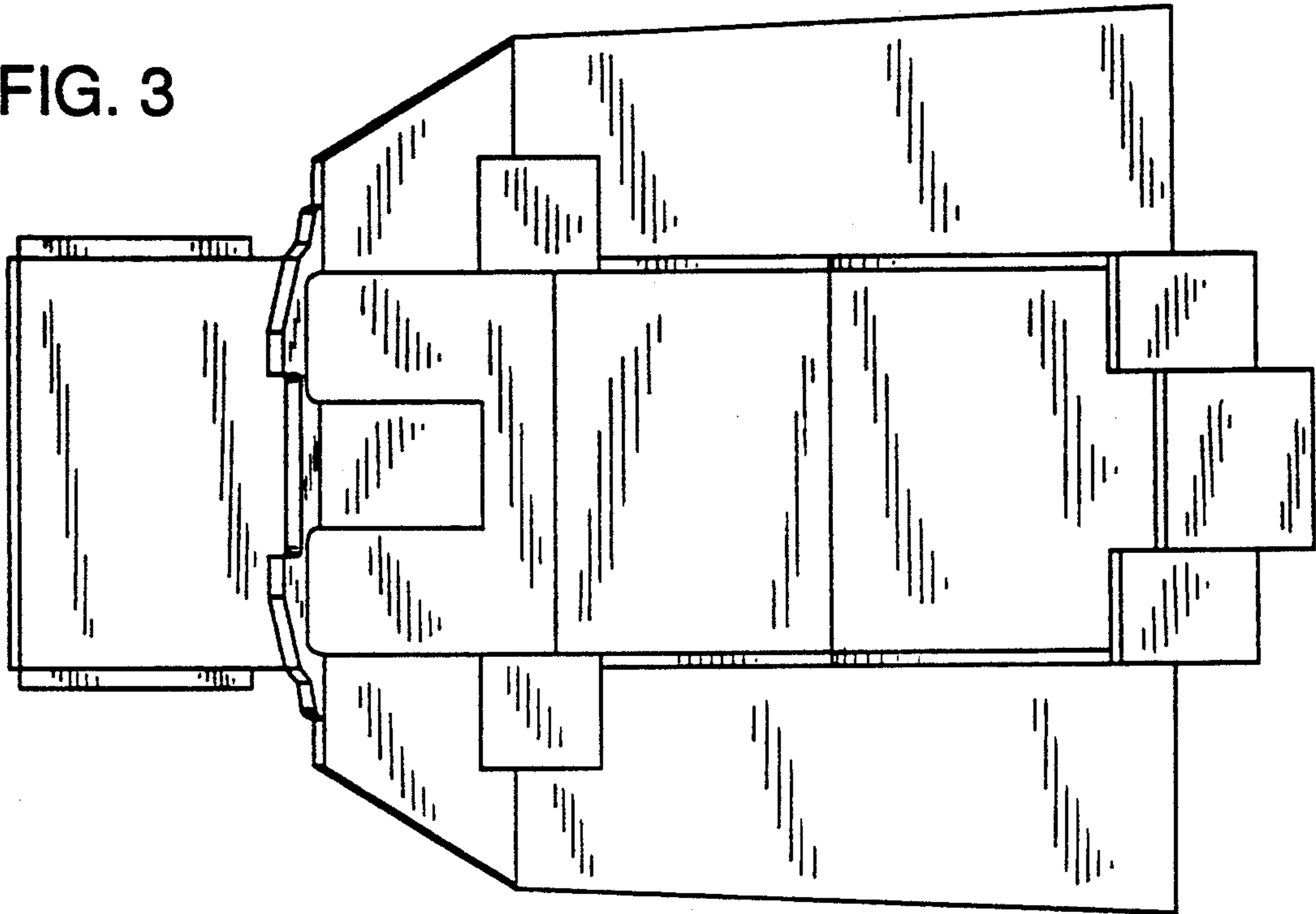


FIG. 4

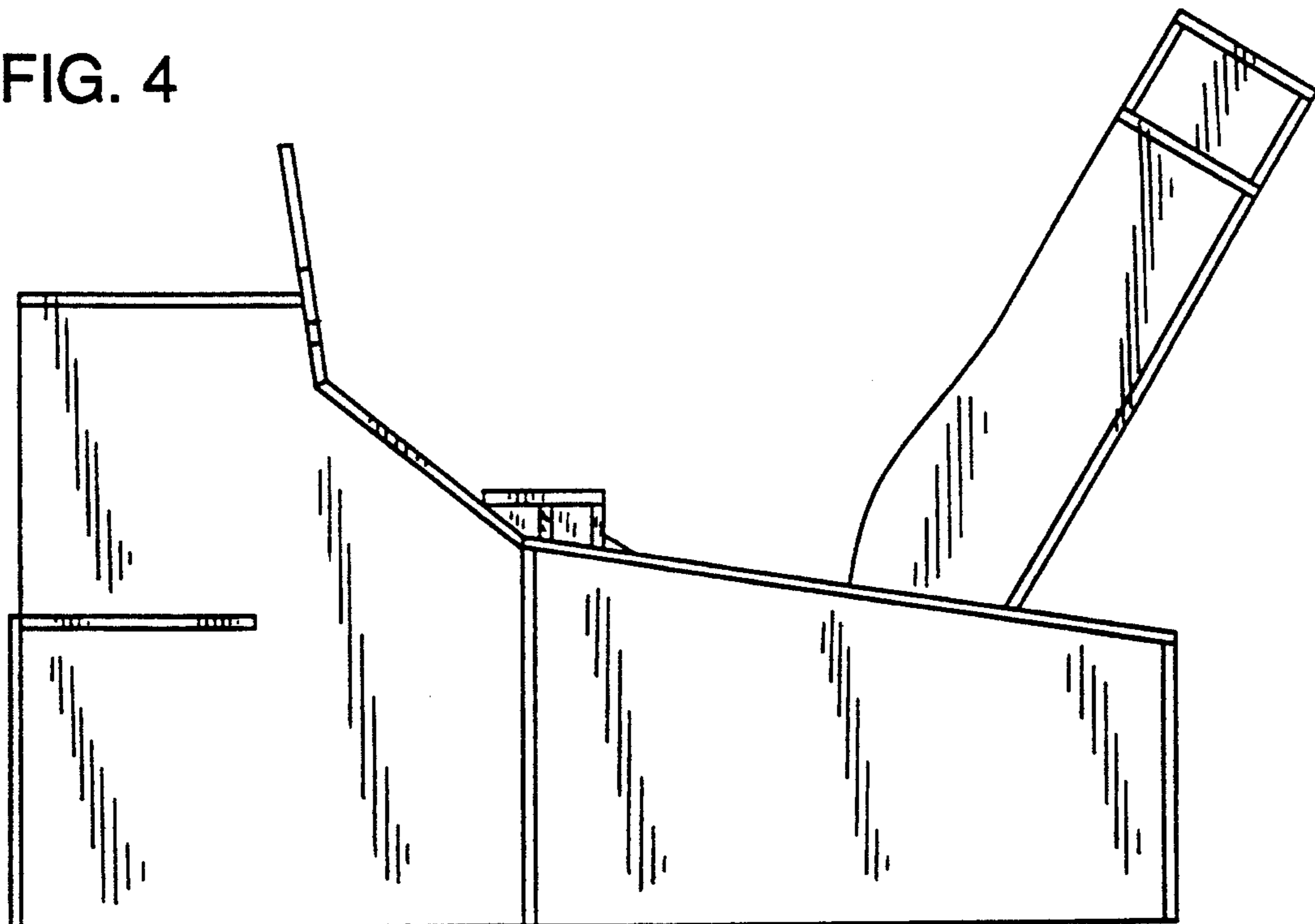


FIG. 5

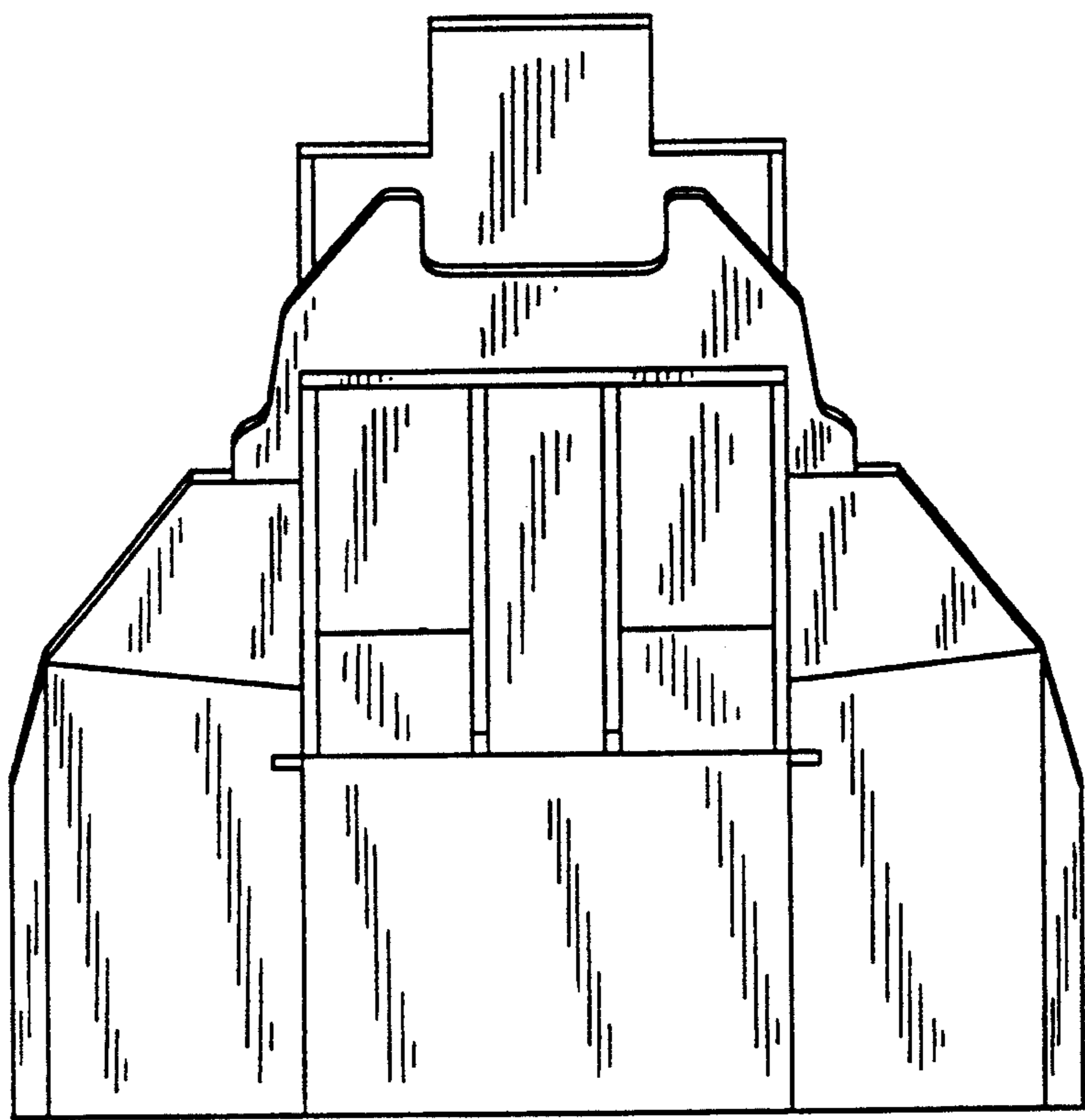


FIG. 6

