



US00D345577S

United States Patent [19]

Höhner

[11] Patent Number: **Des. 345,577**

[45] Date of Patent: **** Mar. 29, 1994**

[54] **BALL POINT PEN**

[75] Inventor: **Hans M. Höhner**, Wolfach, Fed. Rep. of Germany

[73] Assignee: **Klio Eterna Schreibgerate GmbH & Co. KG**, Wolfach, Fed. Rep. of Germany

[**] Term: **14 Years**

[21] Appl. No.: **2,336**

[22] Filed: **Dec. 7, 1992**

[30] **Foreign Application Priority Data**

Jun. 25, 1992 [DE] Fed. Rep. of Germany 92 04 723

[52] U.S. Cl. **D19/48; D19/50; D19/51; D19/56**

[58] Field of Search 401/99, 100, 102, 103, 401/104; D19/35, 36, 41-51, 54-58, 81-85

[56] **References Cited**

U.S. PATENT DOCUMENTS

D. 284,773 7/1986 Schwartz et al. D19/48
D. 306,458 3/1990 Lecce D19/41 X

D. 318,490 7/1991 Klodt D19/41 X
D. 319,844 9/1991 Grötsch et al. D19/43 X
D. 319,845 9/1991 Grötsch et al. D19/41 X
D. 321,719 11/1991 Nitta D19/48
D. 323,186 1/1992 Clark et al. D19/48
D. 329,660 9/1992 Yamanaka D19/48

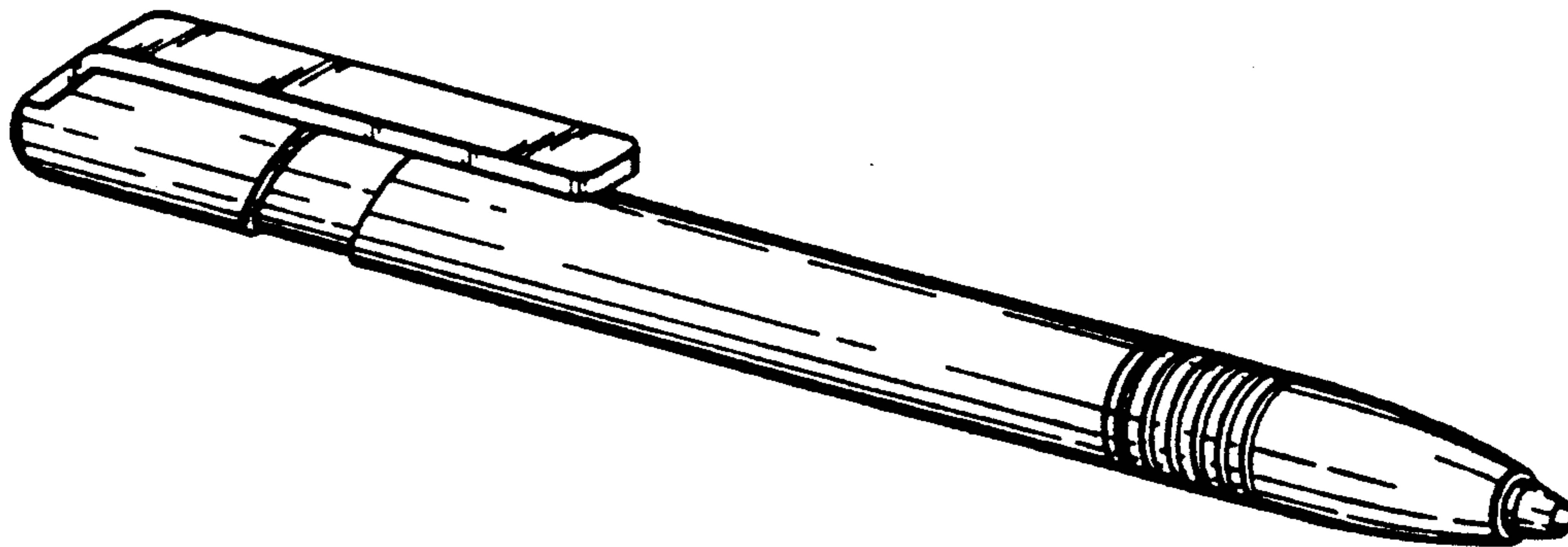
Primary Examiner—Nelson C. Holtje
Assistant Examiner—Martie Thompson
Attorney, Agent, or Firm—Darby & Darby

[57] **CLAIM**

The ornamental design for a ball point pen, as shown and described.

DESCRIPTION

FIG. 1 is a perspective view of a ball point pen showing my new design;
FIG. 2 is a front elevational view thereof;
FIG. 3 is one side elevational view thereof, the other side elevational view being a mirror image of the one view;
FIG. 4 is a rear elevational view thereof;
FIG. 5 is a top plan view thereof; and,
FIG. 6 is a bottom plan view thereof.



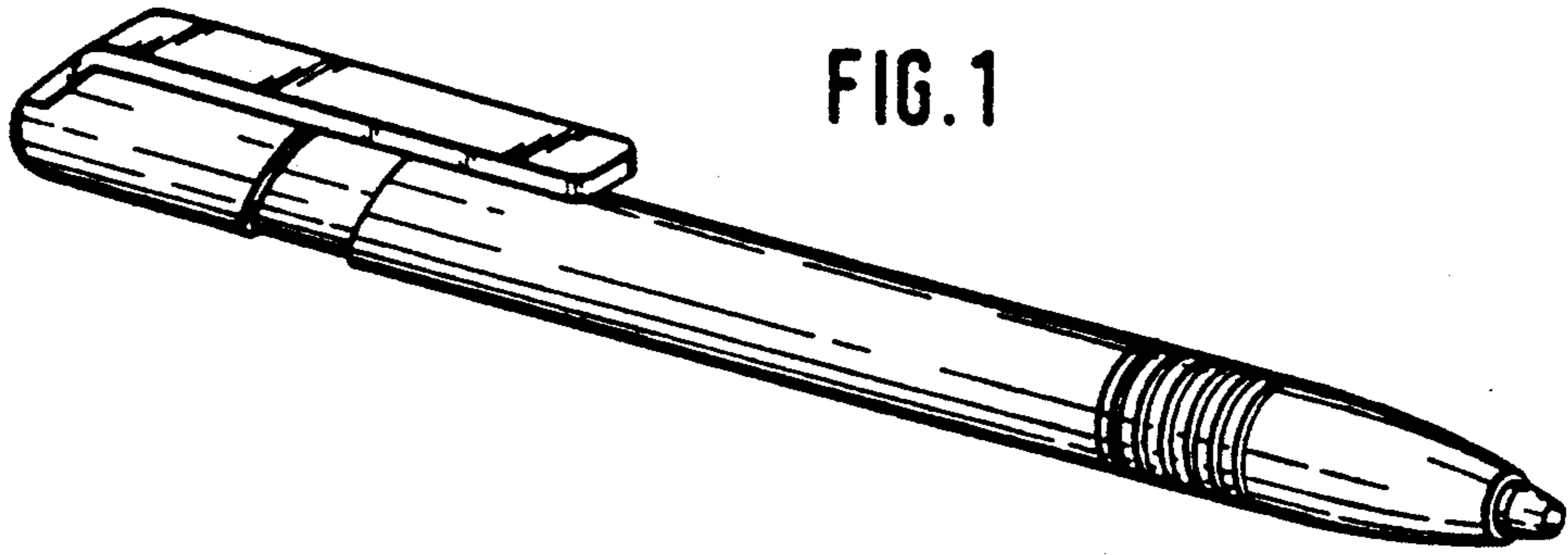


FIG. 1

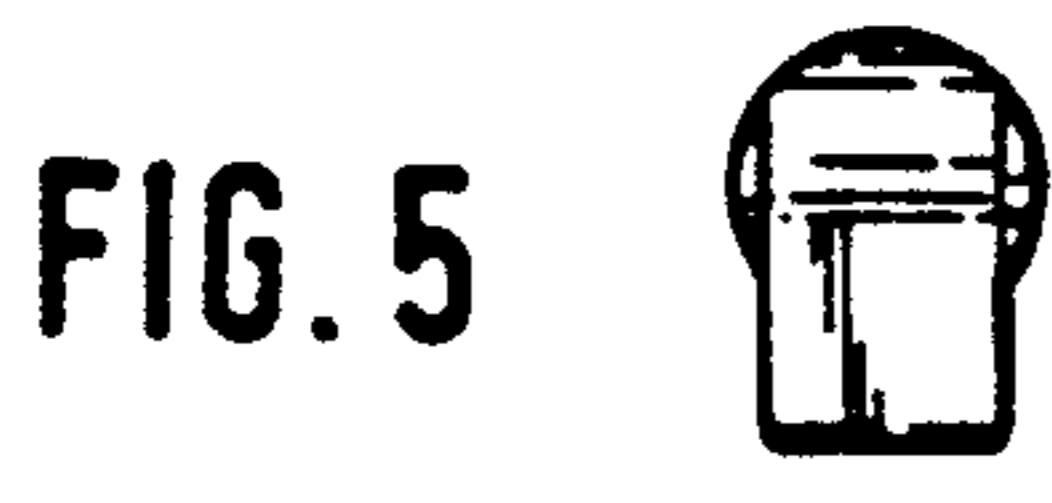


FIG. 5

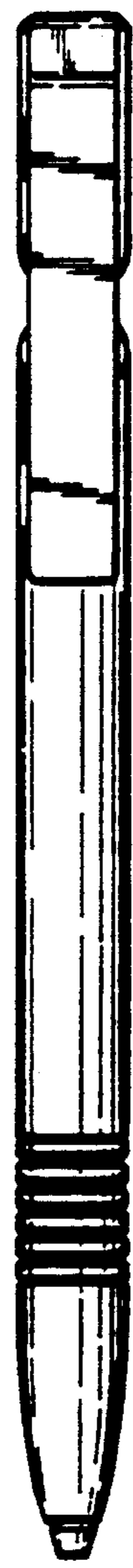


FIG. 2

FIG. 3

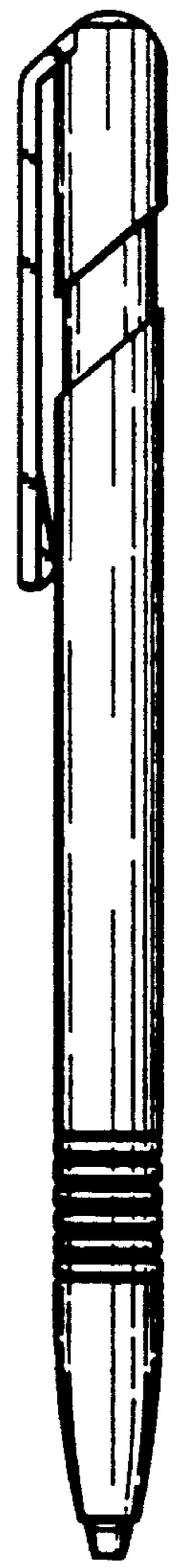


FIG. 4

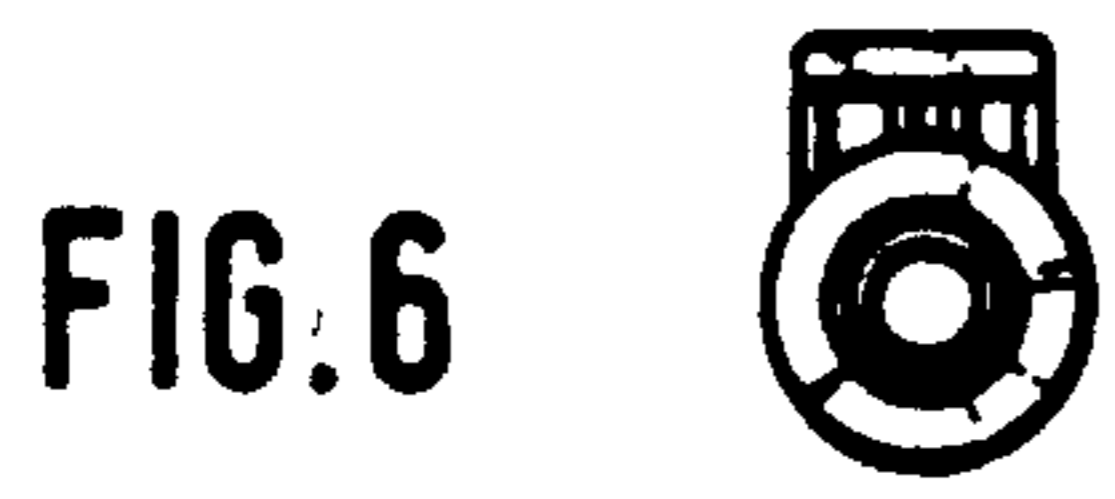


FIG. 6