



US00D345576S

# United States Patent [19]

Yamakawa

[11] Patent Number: **Des. 345,576**

[45] Date of Patent: **\*\* Mar. 29, 1994**

[54] **PRINTING HEAD OF A PRINTER FOR A COMPUTER**

[75] Inventor: **Yuichi Yamakawa, Tokyo, Japan**

[73] Assignee: **Seikosha Co., Ltd., Tokyo, Japan**

[\*\*] Term: **14 Years**

[21] Appl. No.: **881,578**

[22] Filed: **May 12, 1992**

[30] **Foreign Application Priority Data**

Nov. 27, 1991 [JP] Japan ..... 3-35807

[52] U.S. Cl. .... **D18/56**

[58] Field of Search ..... 346/140 R, 140 PD, 75;  
101/333-335; 400/471; D18/56, 40, 43, 12

[56] **References Cited**

**U.S. PATENT DOCUMENTS**

- D. 256,474 8/1980 Stenudd ..... D18/12
- D. 313,427 1/1991 Sacki ..... D18/56
- D. 314,007 1/1991 Kimura et al. .... D18/56

- D. 326,111 5/1992 Otsuka et al. .... D18/56
- D. 338,235 8/1993 Komada et al. .... D18/56
- 4,831,390 5/1989 Deshpande et al. .... 346/140 R
- 4,833,491 5/1989 Rezanka ..... 346/140 R

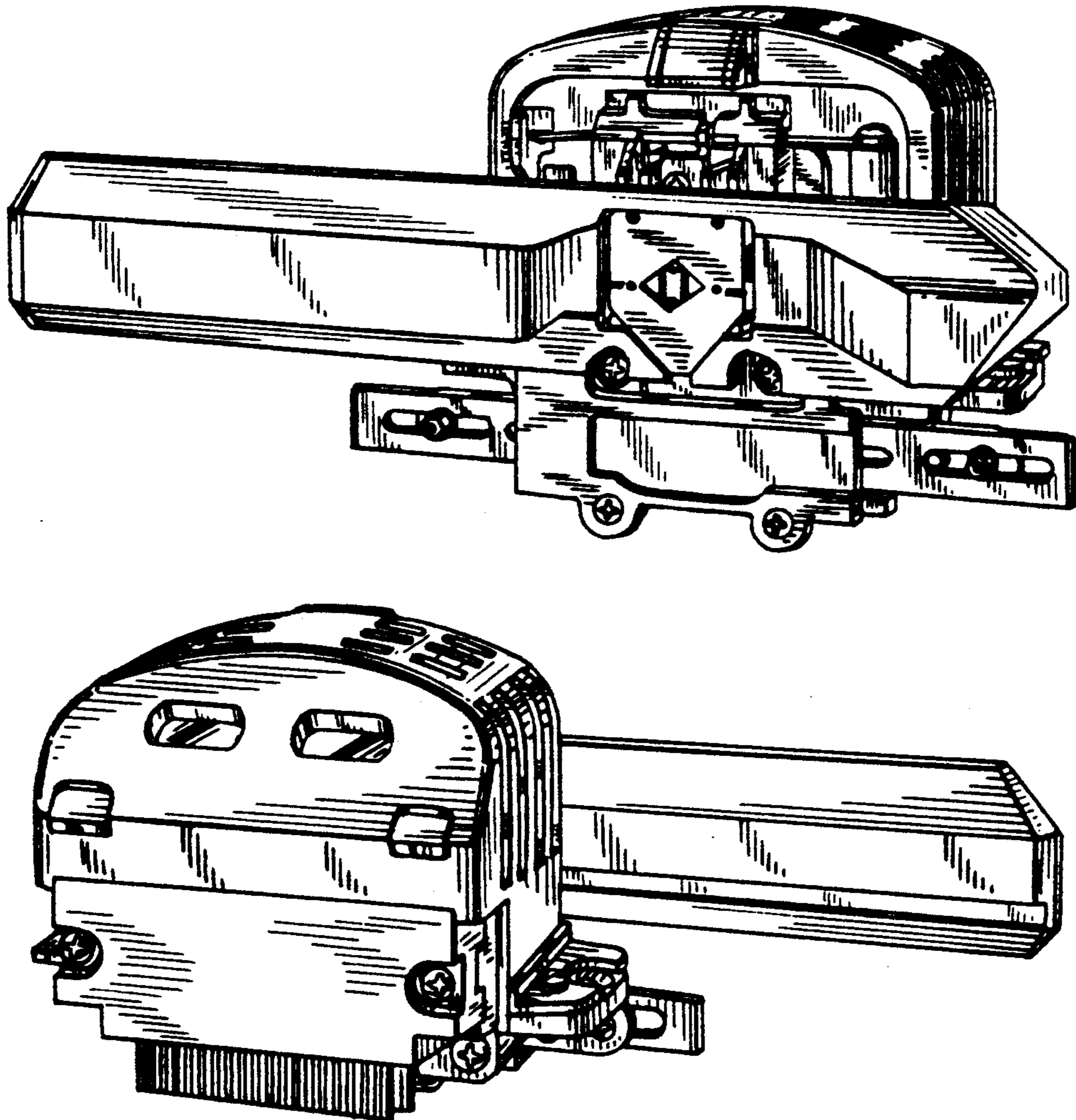
*Primary Examiner*—A. Hugo Word  
*Assistant Examiner*—CathyAnne MacCormac  
*Attorney, Agent, or Firm*—Jordan and Hamburg

[57] **CLAIM**

The ornamental design for a printing head of a printer for a computer, as shown.

**DESCRIPTION**

FIG. 1 is a front perspective view of a printing head of a printer for a computer showing my new design; FIG. 2 is a rear perspective view thereof; FIG. 3 is a left side elevational view thereof; FIG. 4 is a right side elevational view thereof; FIG. 5 is a front elevational view thereof; FIG. 6 is a top plan view thereof; FIG. 7 is a rear elevational view thereof; and, FIG. 8 is a bottom plan view thereof.



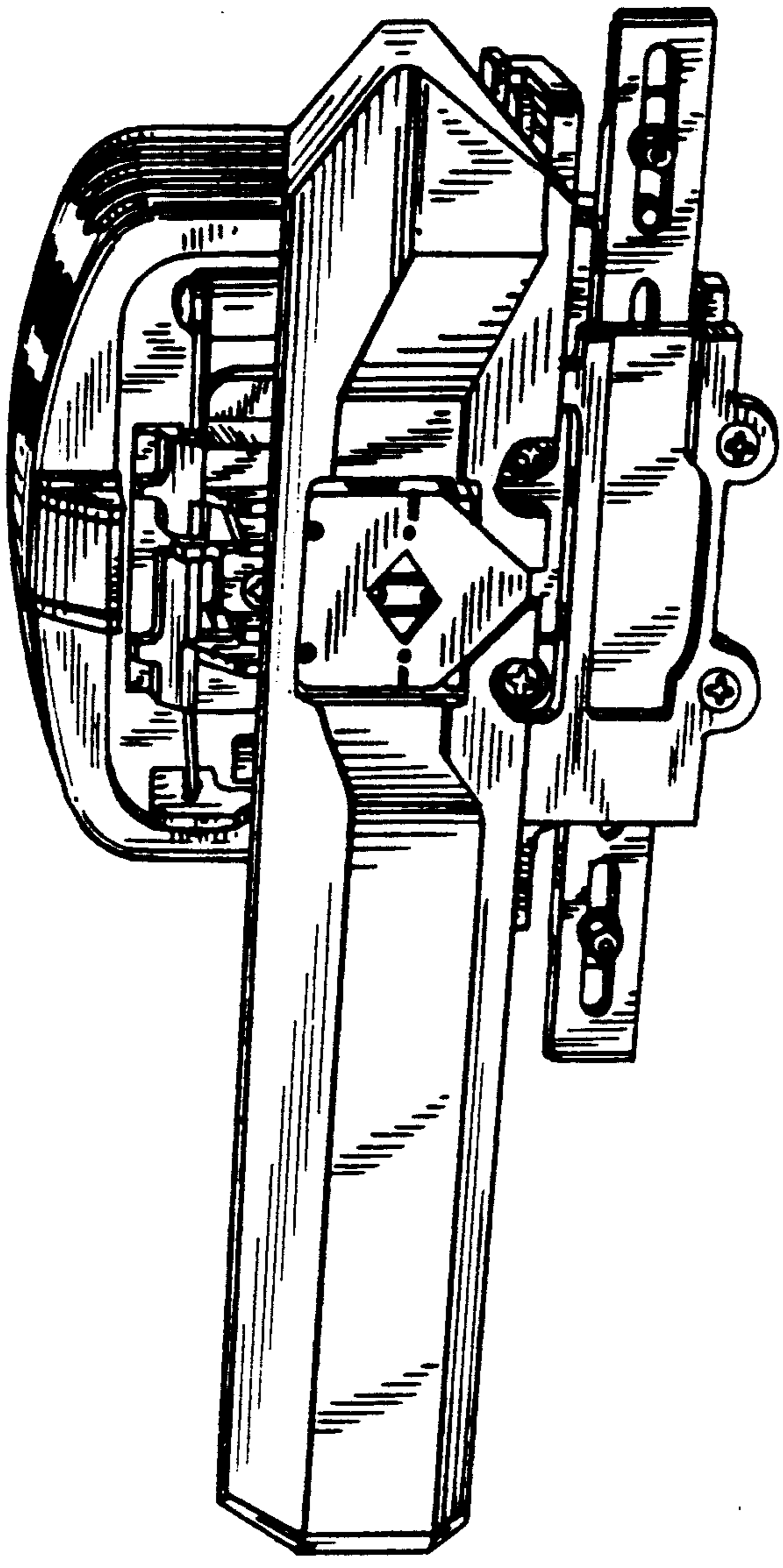


FIG. 1

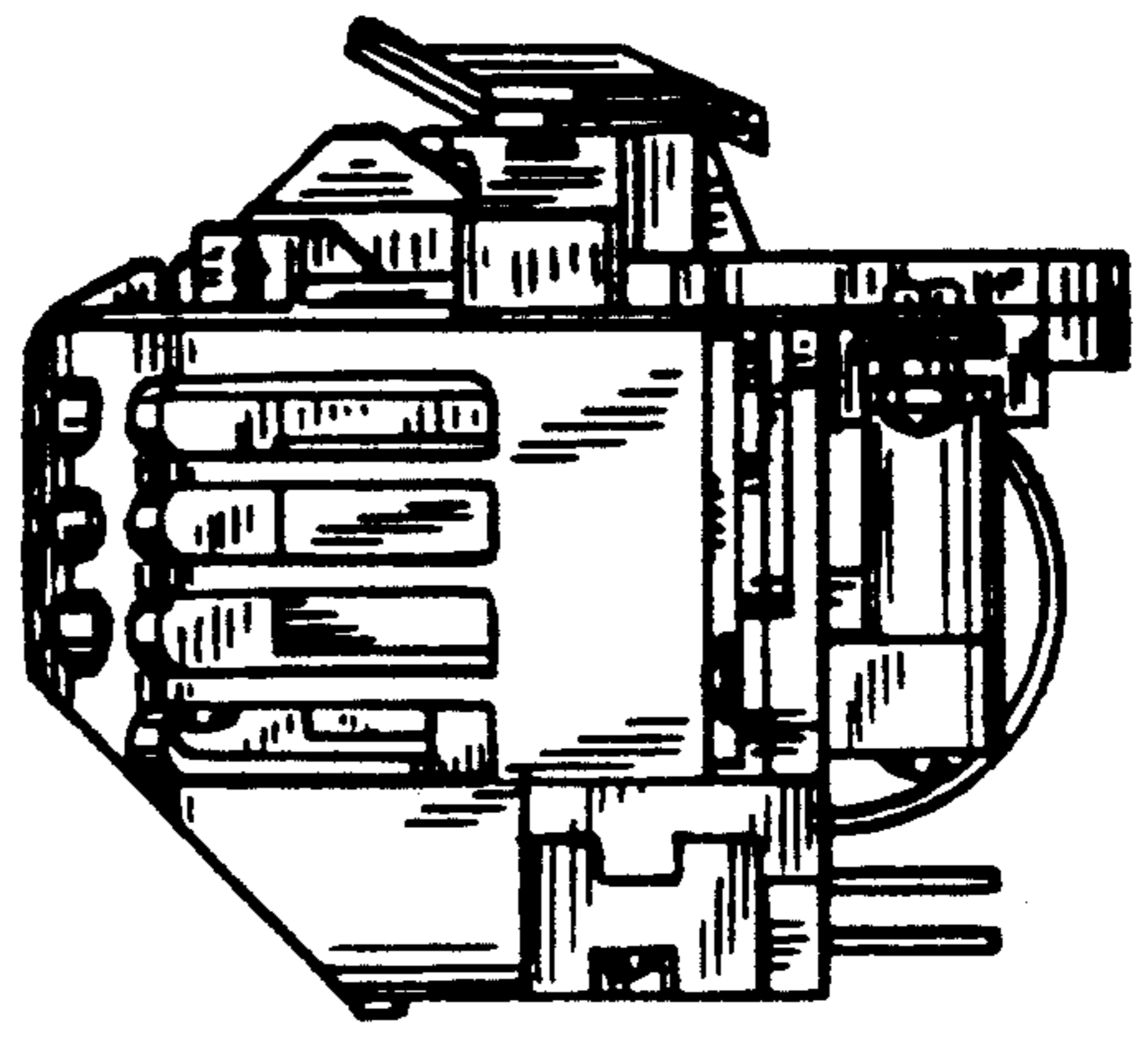
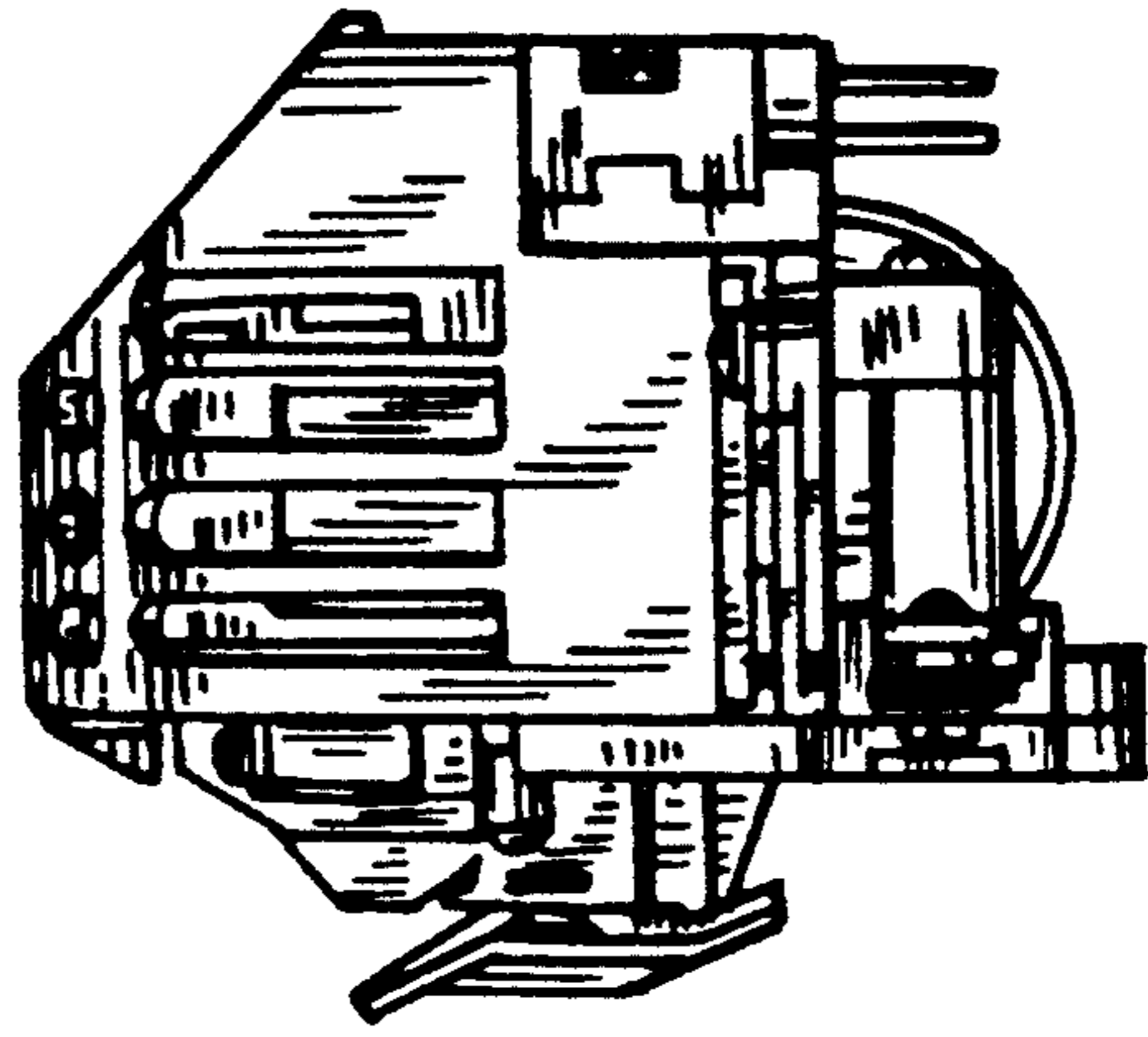
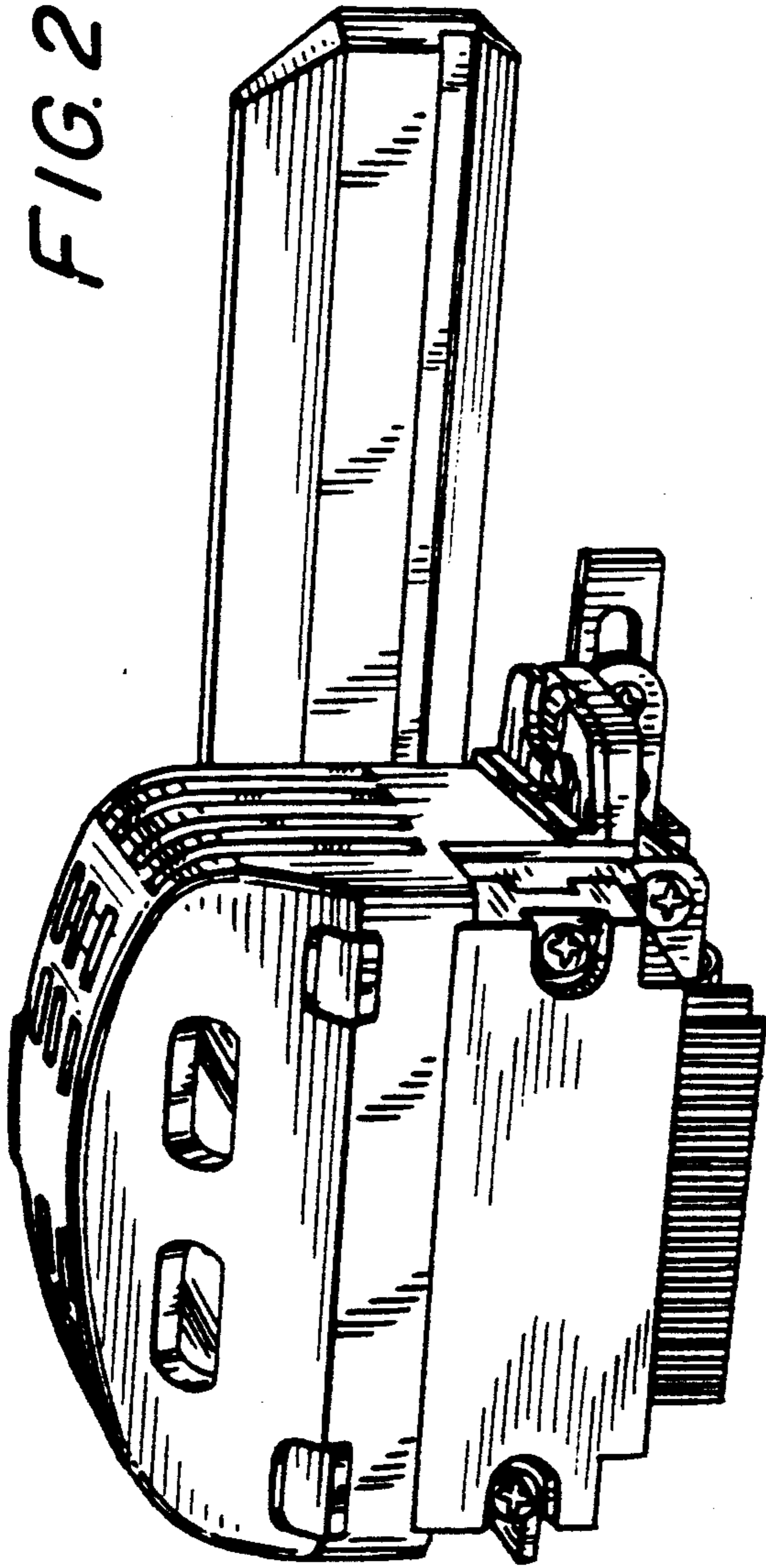


FIG. 3



*FIG. 4*

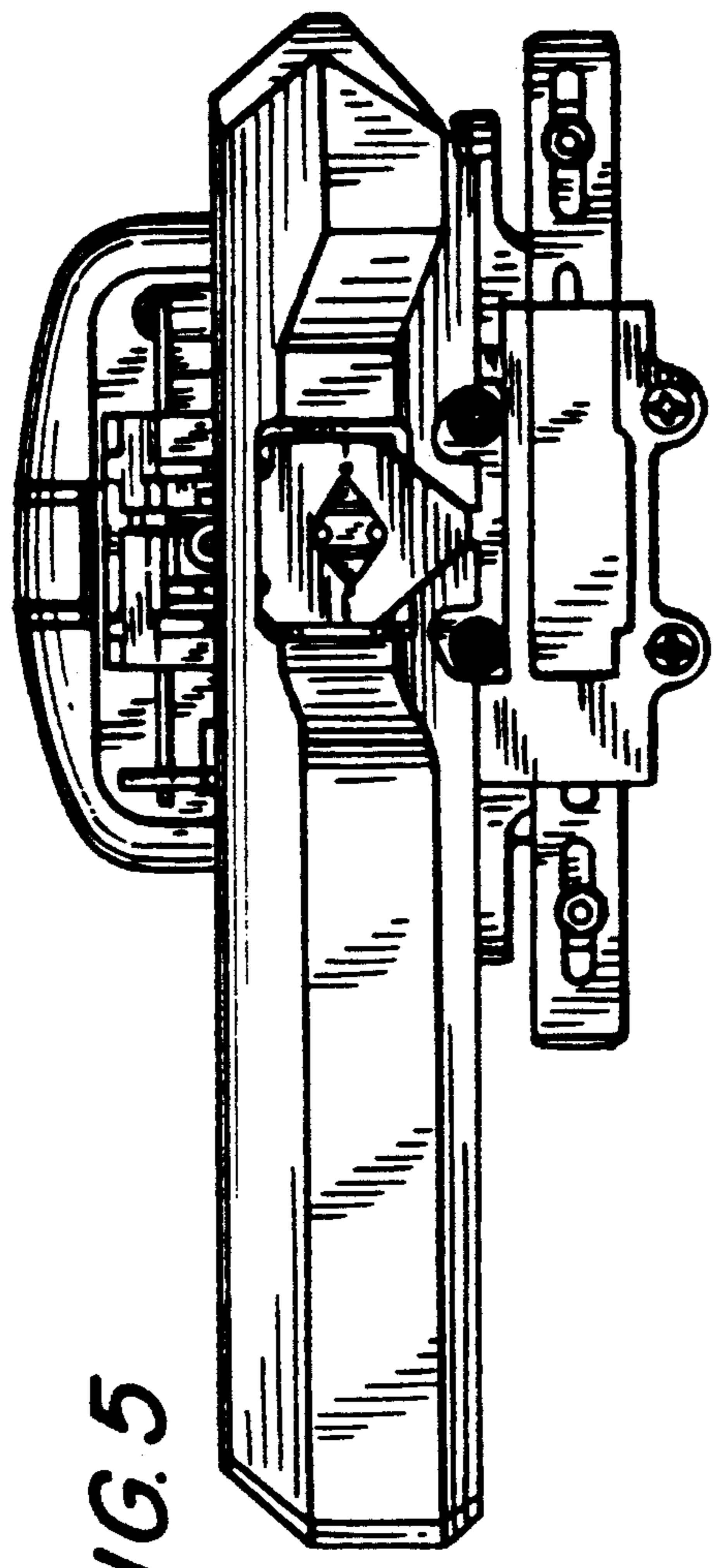


FIG. 5

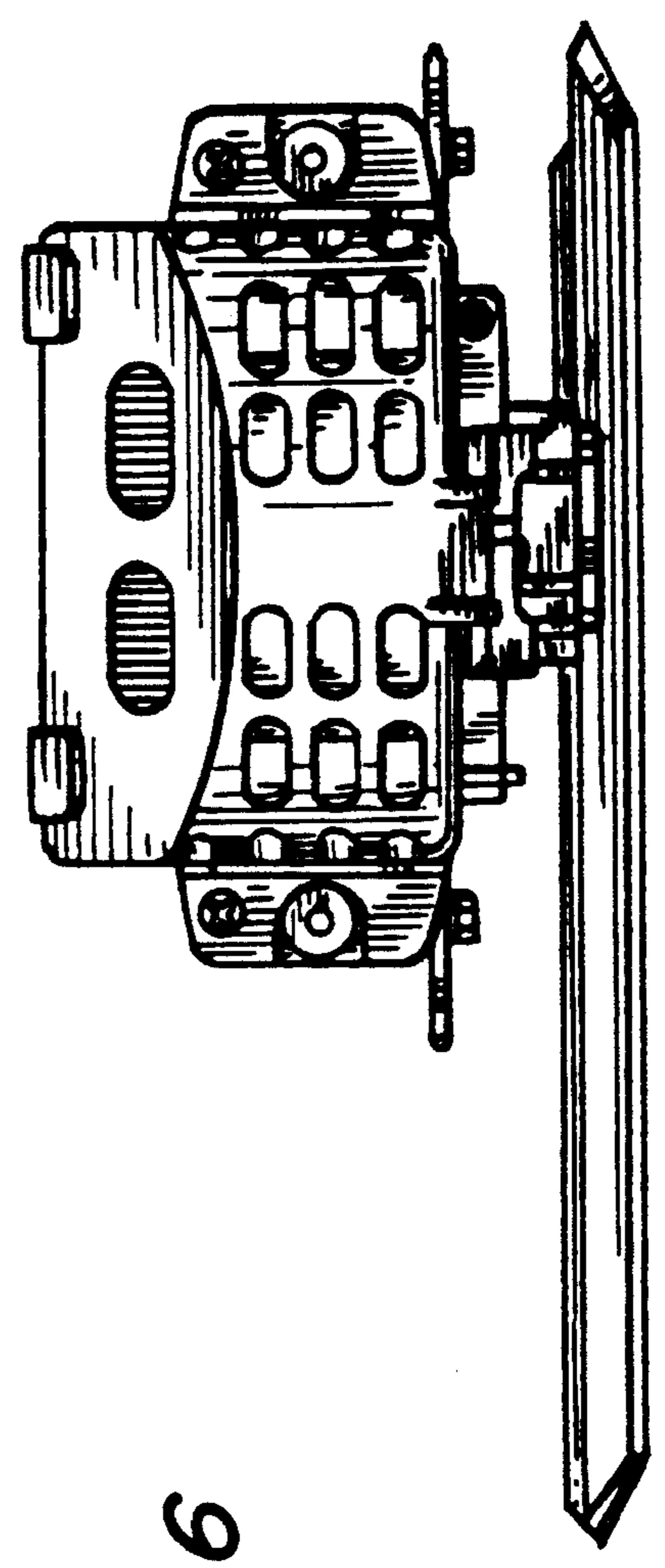


FIG. 6

FIG. 7

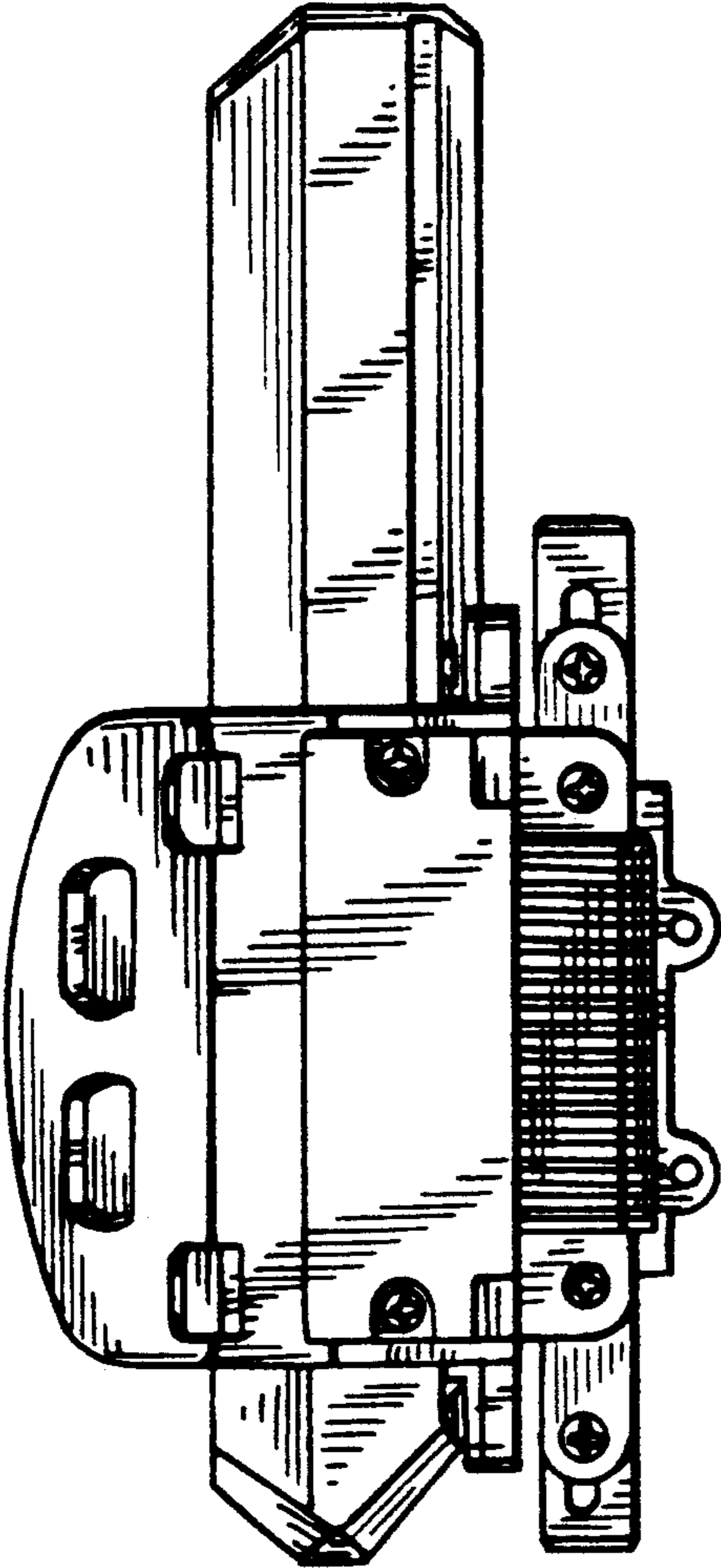


FIG. 8

