



US00D345572S

United States Patent [19]

[11] Patent Number: **Des. 345,572**

Bowman

[45] Date of Patent: **** Mar. 29, 1994**

[54] **DAYLIGHT FILM LOADER**

4,941,008 7/1990 Nakamura 354/320

[76] Inventor: **Vincent Bowman**, 2120 N. Magnolia
3rd Floor, Chicago, Ill. 60614-4012

Primary Examiner—Melvin B. Feifer
Assistant Examiner—Adir Aronovich
Attorney, Agent, or Firm—Polster, Lieder, Woodruff &
Lucchesi

[**] Term: **14 Years**

[21] Appl. No.: **840,706**

[57] **CLAIM**

[22] Filed: **Feb. 24, 1992**

The ornamental design for daylight film loader, as shown and described.

[52] U.S. Cl. **D16/237; 354/308**

[58] Field of Search 206/316.1, 316.2;
354/308-310; D16/237, 246, 247

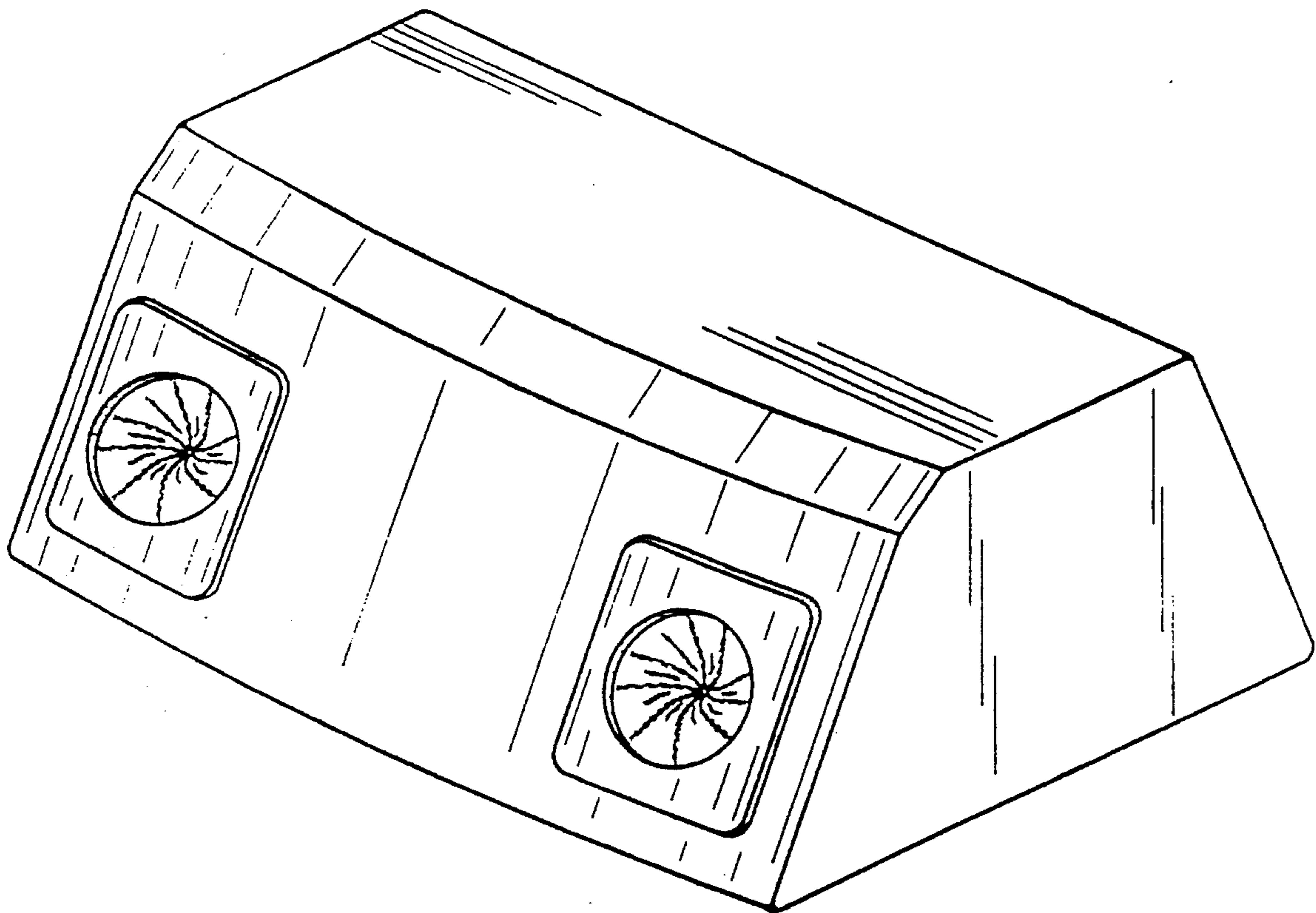
DESCRIPTION

[56] **References Cited**

U.S. PATENT DOCUMENTS

| | | | |
|------------|---------|----------------|---------|
| D. 302,170 | 7/1989 | Harrison | D16/237 |
| D. 314,393 | 2/1991 | Bender | D16/237 |
| D. 328,308 | 7/1992 | Harrison | D16/237 |
| 654,568 | 7/1900 | Hayden | 354/308 |
| 903,052 | 11/1908 | Brown | 354/308 |
| 4,324,479 | 4/1982 | Sachs | 354/319 |
| 4,515,456 | 5/1985 | Ferrante | 354/320 |

FIG. 1 is a top, front perspective view of a daylight film loader showing my new design;
FIG. 2 is a top plan of the daylight film loader;
FIG. 3 is a bottom plan of the daylight film loader;
FIG. 4 is a front elevational view of the daylight film loader;
FIG. 5 is a rear elevational view of the daylight film loader;
FIG. 6 is a right side elevational view thereof;
FIG. 7 is a left side elevational view thereof; and,
FIG. 8 is a bottom, rear perspective view thereof.



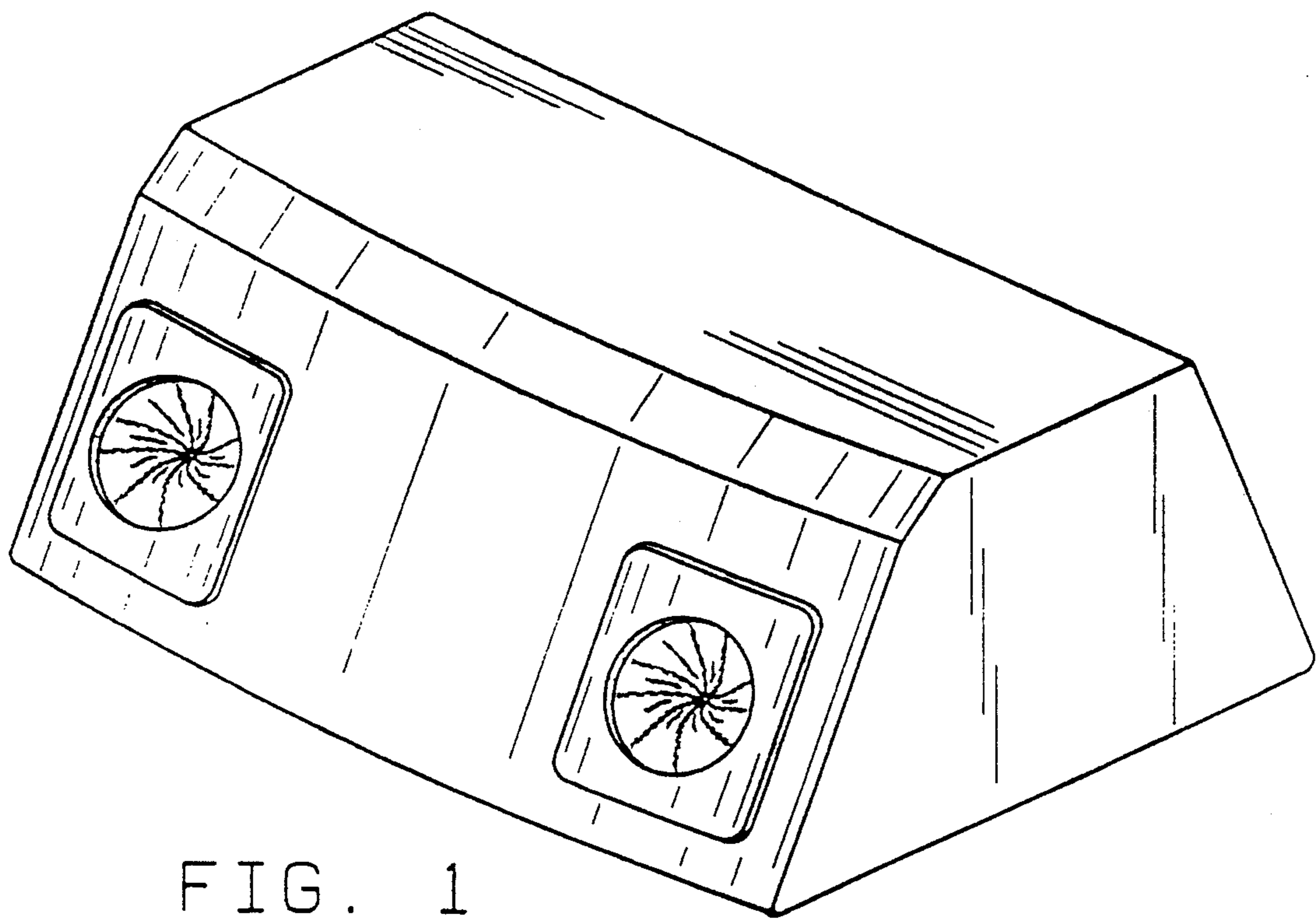


FIG. 1

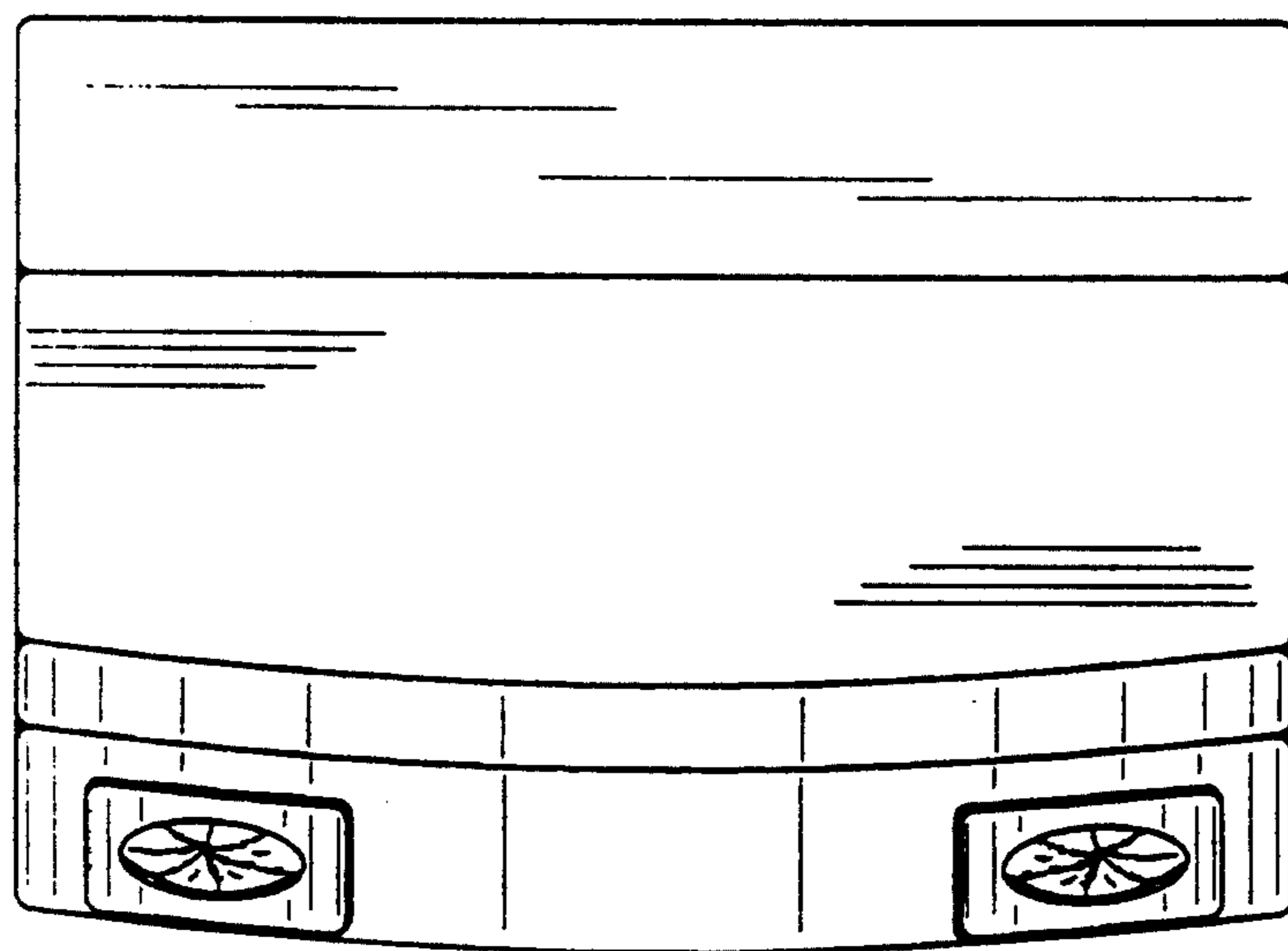


FIG. 2

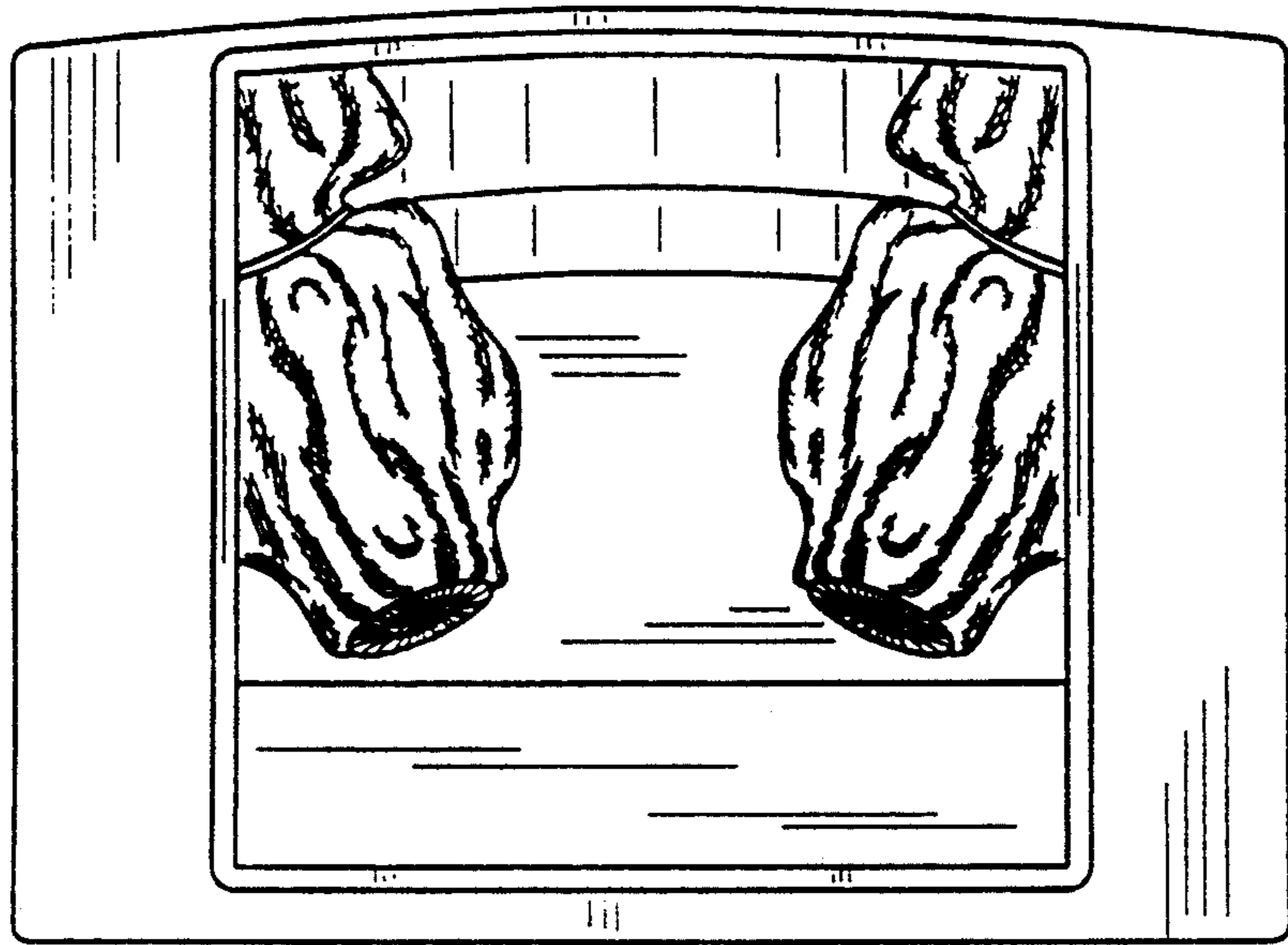


FIG. 3

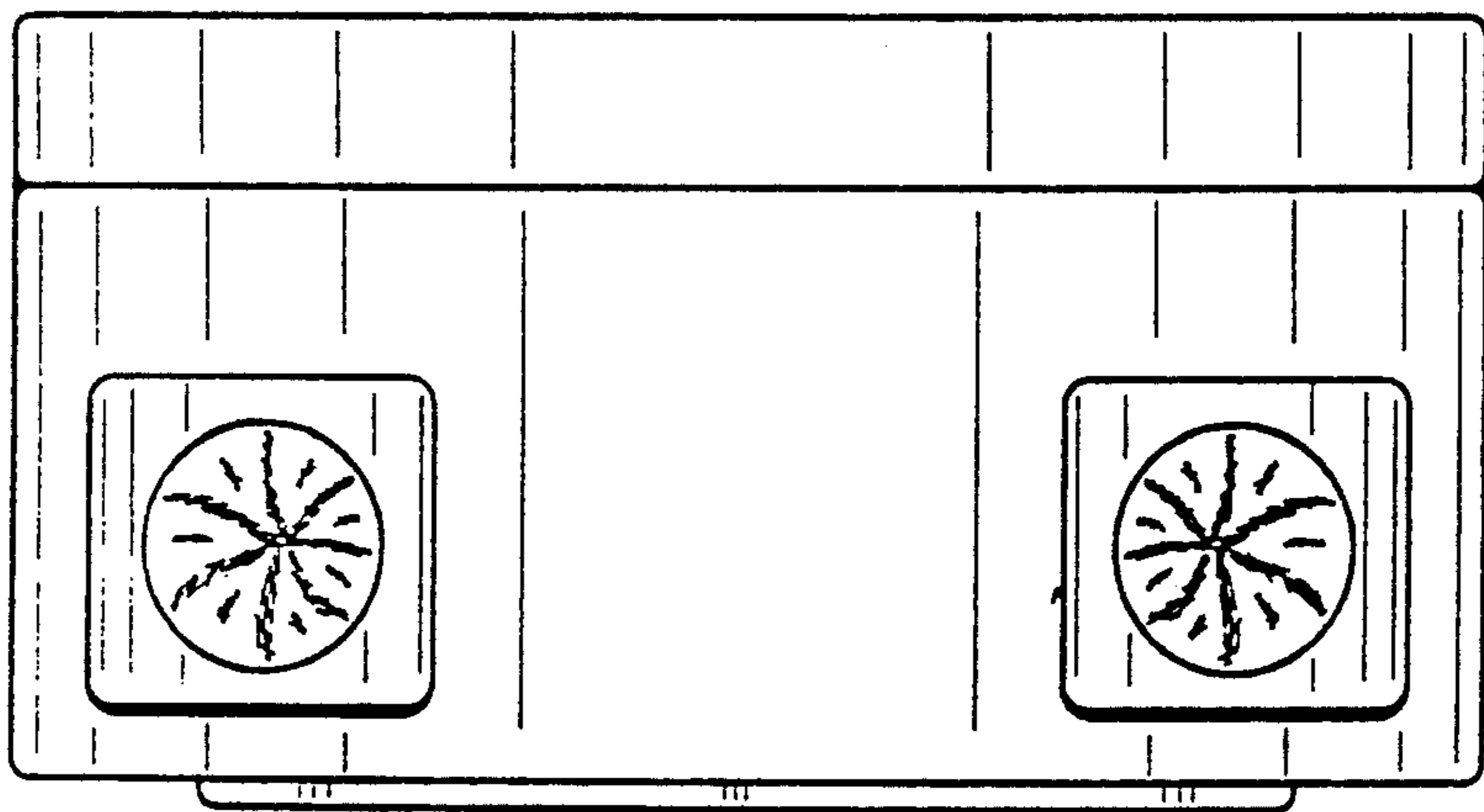


FIG. 4

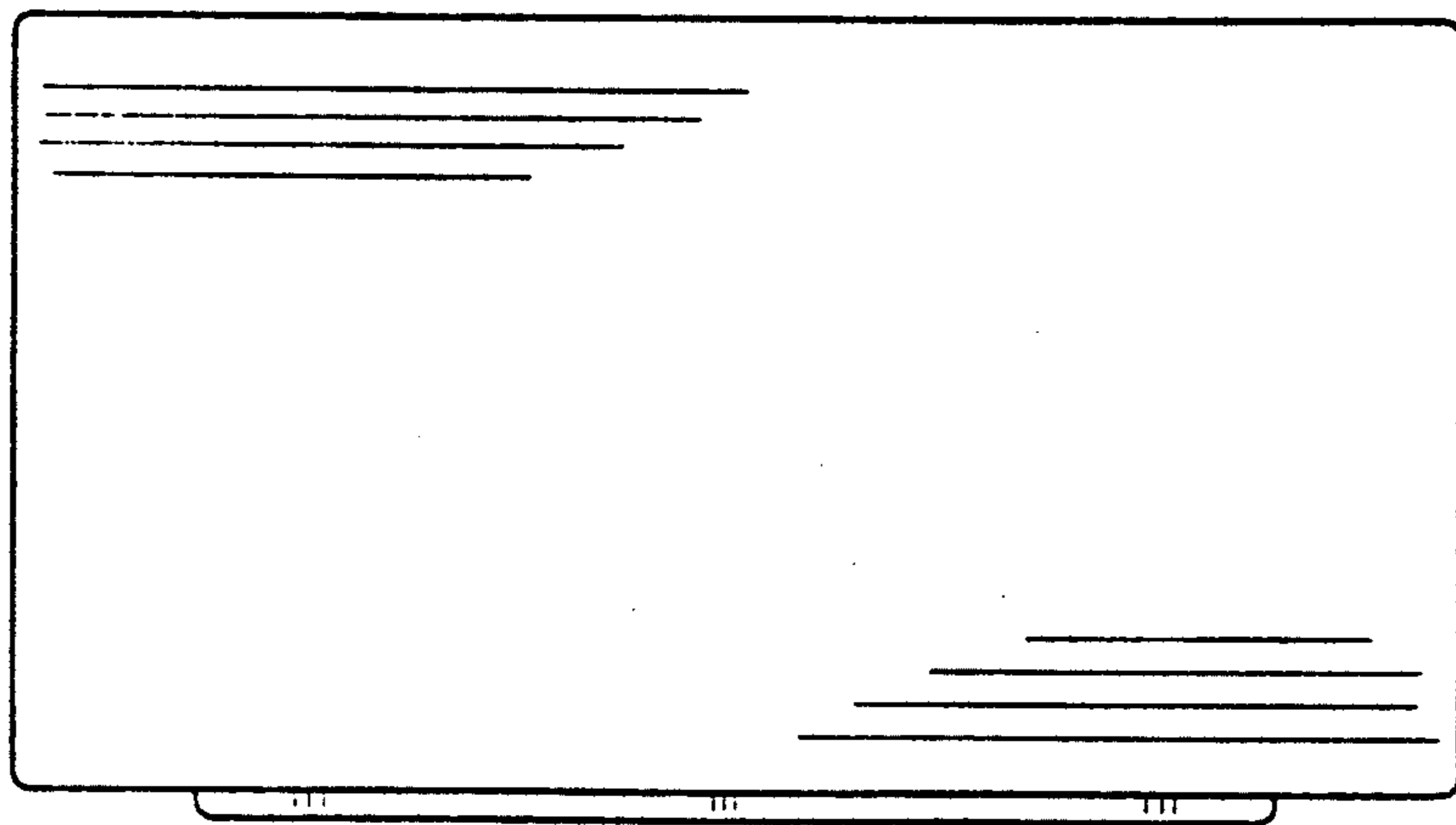


FIG. 5

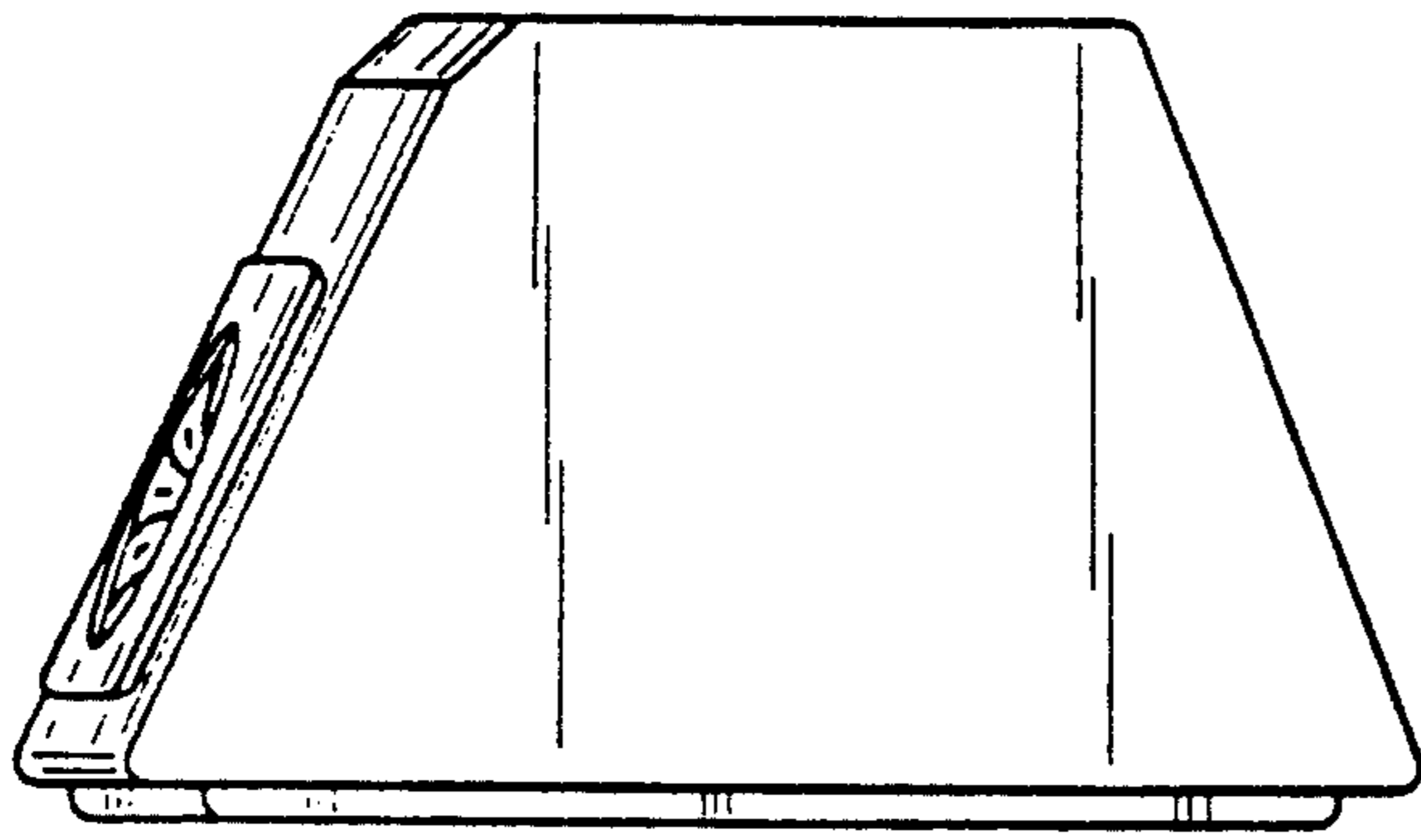


FIG. 6

FIG. 7

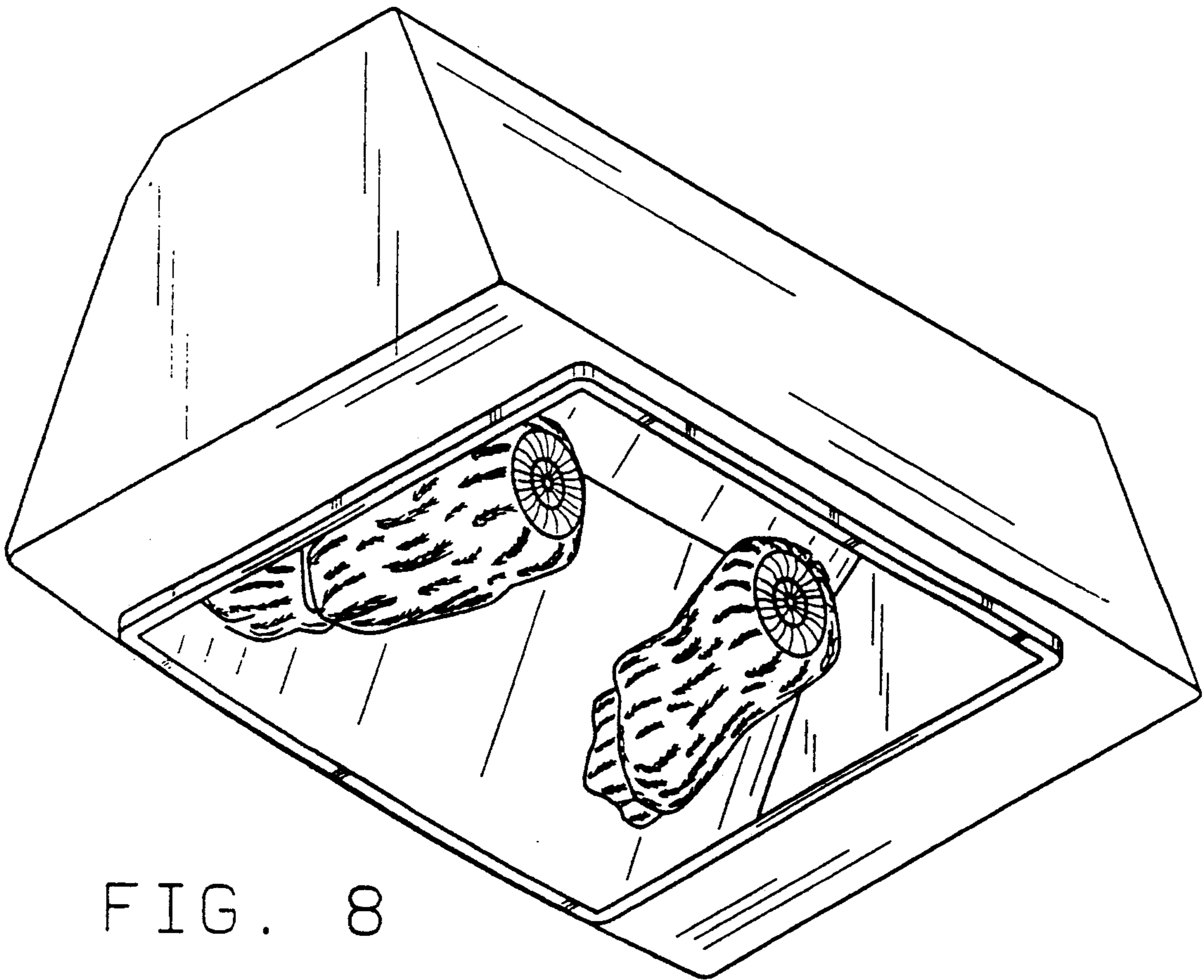
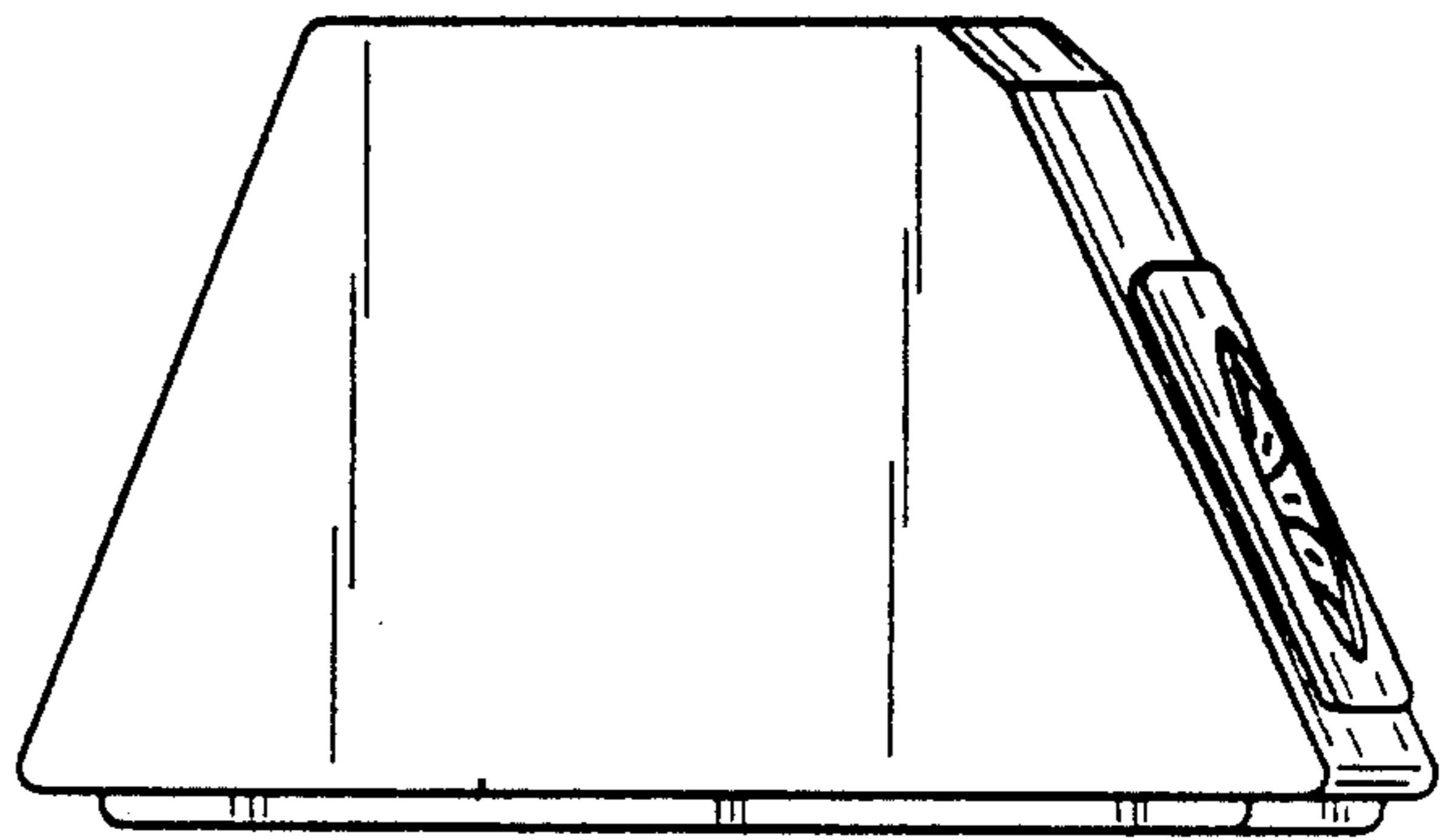


FIG. 8