



US00D345570S

United States Patent [19]

[11] Patent Number: **Des. 345,570**

Yasunaga et al.

[45] Date of Patent: **** Mar. 29, 1994**

[54] **SINGLE USE CAMERA**

[75] Inventors: **Koichi Yasunaga; Takuya Arai**, both of Tokyo, Japan

[73] Assignee: **Fuji Photo Film Co., Ltd.**, Kanagawa, Japan

[**] Term: **14 Years**

[21] Appl. No.: **70**

[22] Filed: **Oct. 1, 1992**

[30] **Foreign Application Priority Data**

Apr. 1, 1992 [JP] Japan 4-9630

[52] U.S. Cl. **D16/208; D16/200**

[58] Field of Search **D9/307, 414, 432; 354/75, 126, 149.11, 64, 202, 288; D16/200, 201, 202-204, 208, 209, 217, 218**

[56] **References Cited**

U.S. PATENT DOCUMENTS

- D. 313,183 12/1990 Arai D9/432
- D. 315,916 4/1991 Loenard et al. D16/218
- D. 320,937 10/1991 Arai D9/432

- D. 328,911 8/1992 Arai et al. D16/208
- 4,882,600 11/1989 Van De Moere 354/64

FOREIGN PATENT DOCUMENTS

- 4-149533 5/1992 Japan 354/288

Primary Examiner—Bernard Ansher
Assistant Examiner—Adir Aronovich
Attorney, Agent, or Firm—Young & Thompson

[57] **CLAIM**

The ornamental design for a single use camera, as shown.

DESCRIPTION

FIG. 1 is a perspective view of a single use camera showing our new design;
FIG. 2 is a front elevational view thereof;
FIG. 3 is a rear elevational view thereof;
FIG. 4 is a top plan view thereof;
FIG. 5 is a bottom plan view thereof;
FIG. 6 is a side elevational view thereof from the left of FIG. 2; and,
FIG. 7 is a side elevational view thereof from the right of FIG. 2.

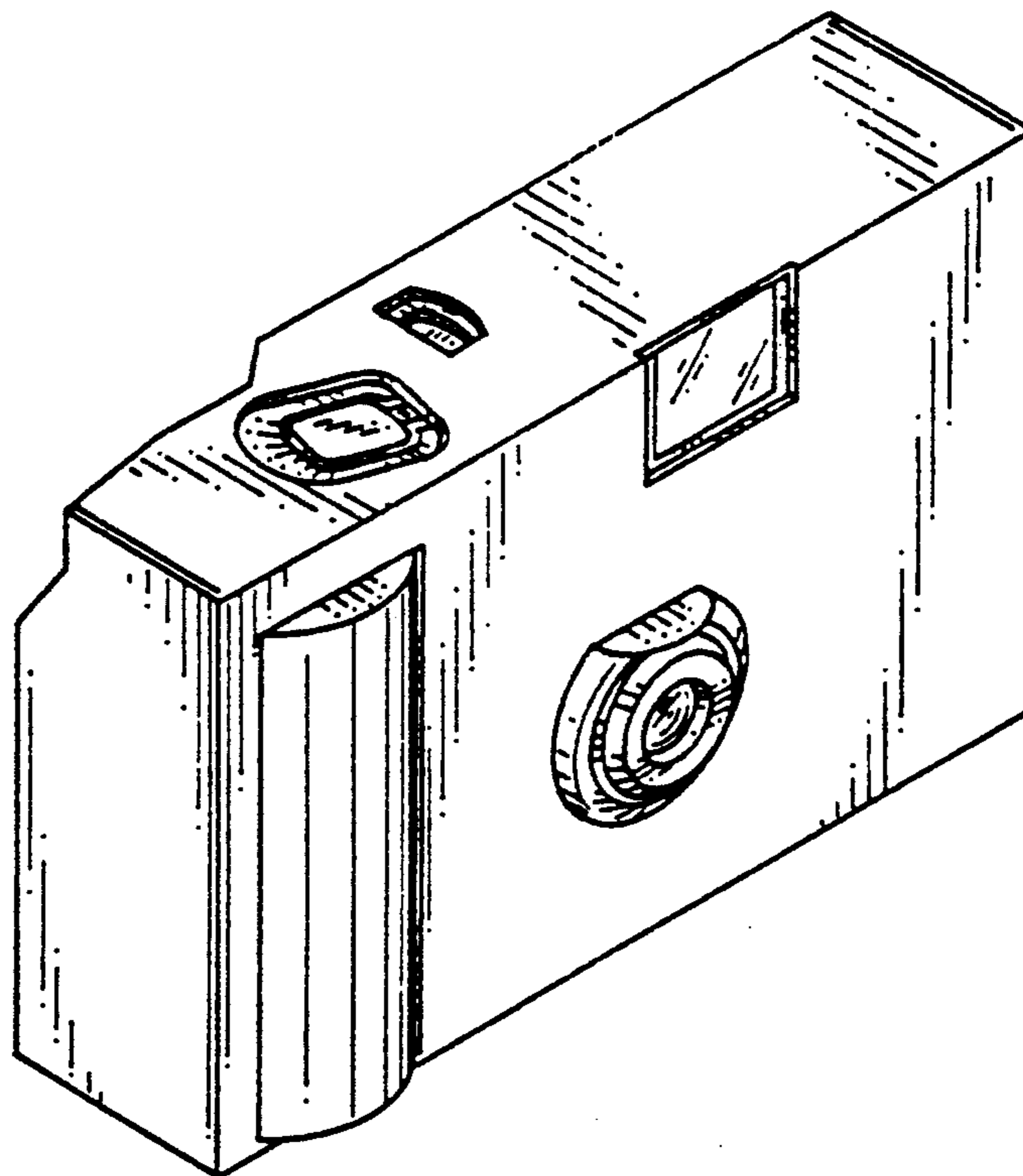


FIG. 1

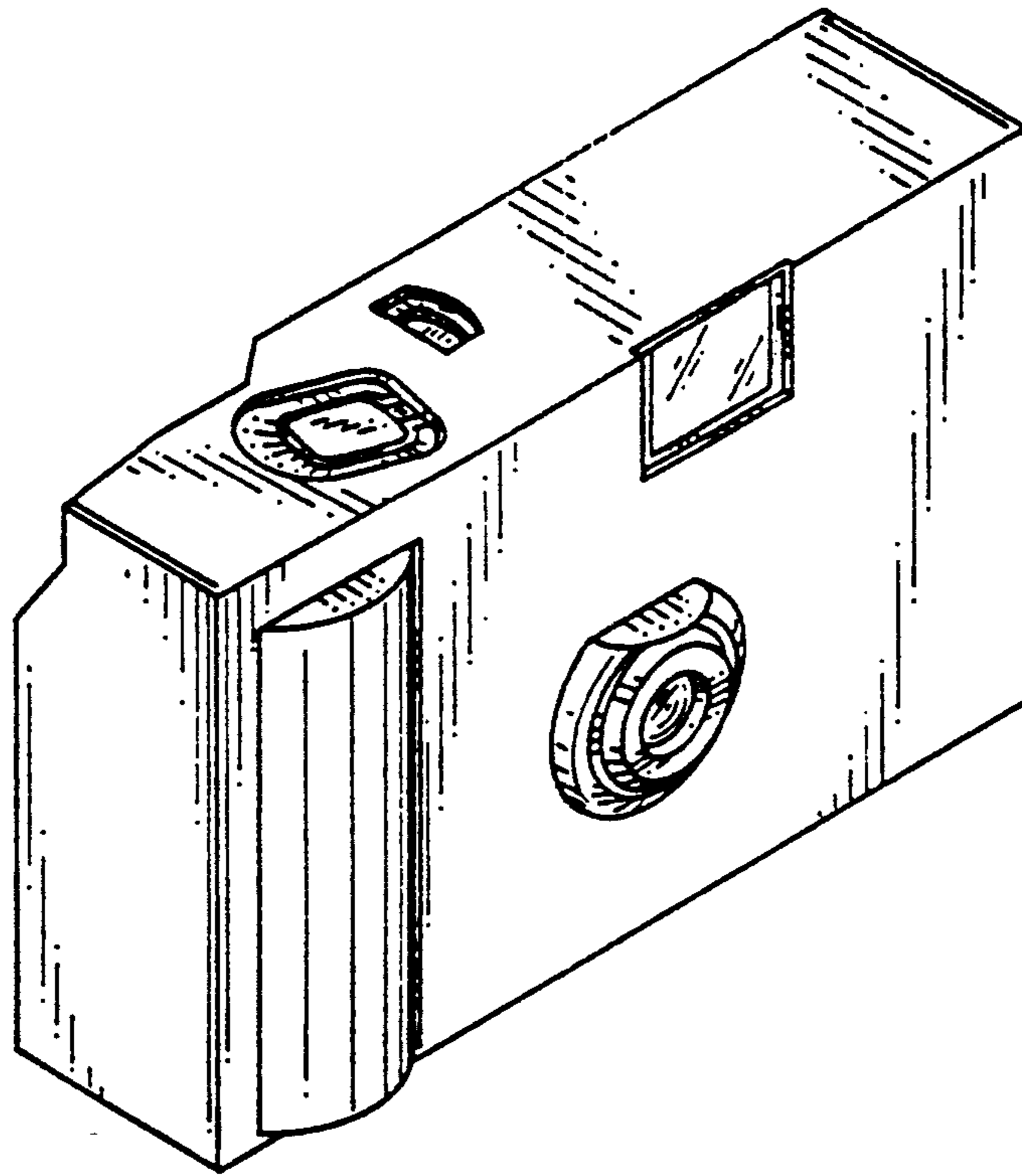


FIG. 2

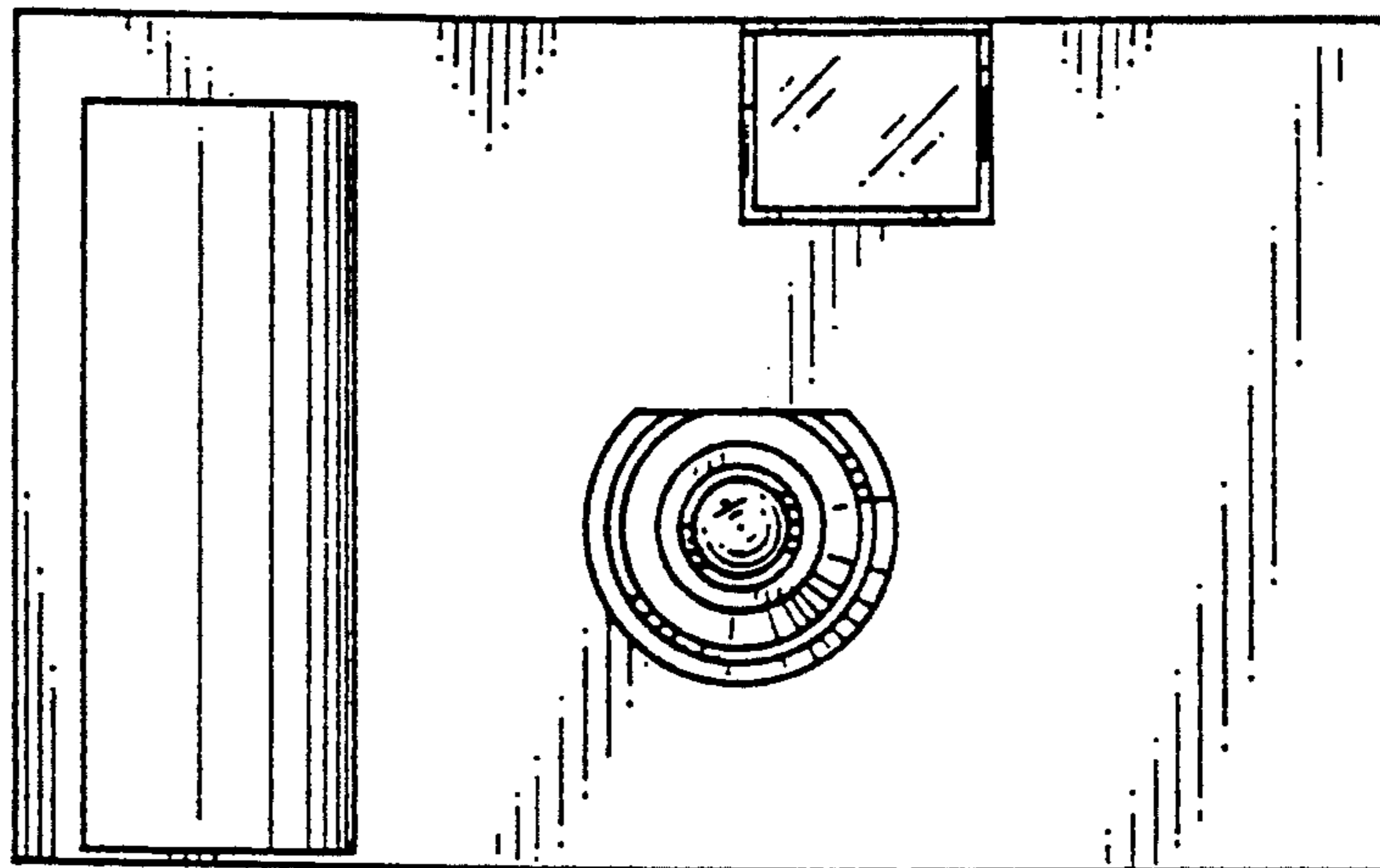


FIG. 3

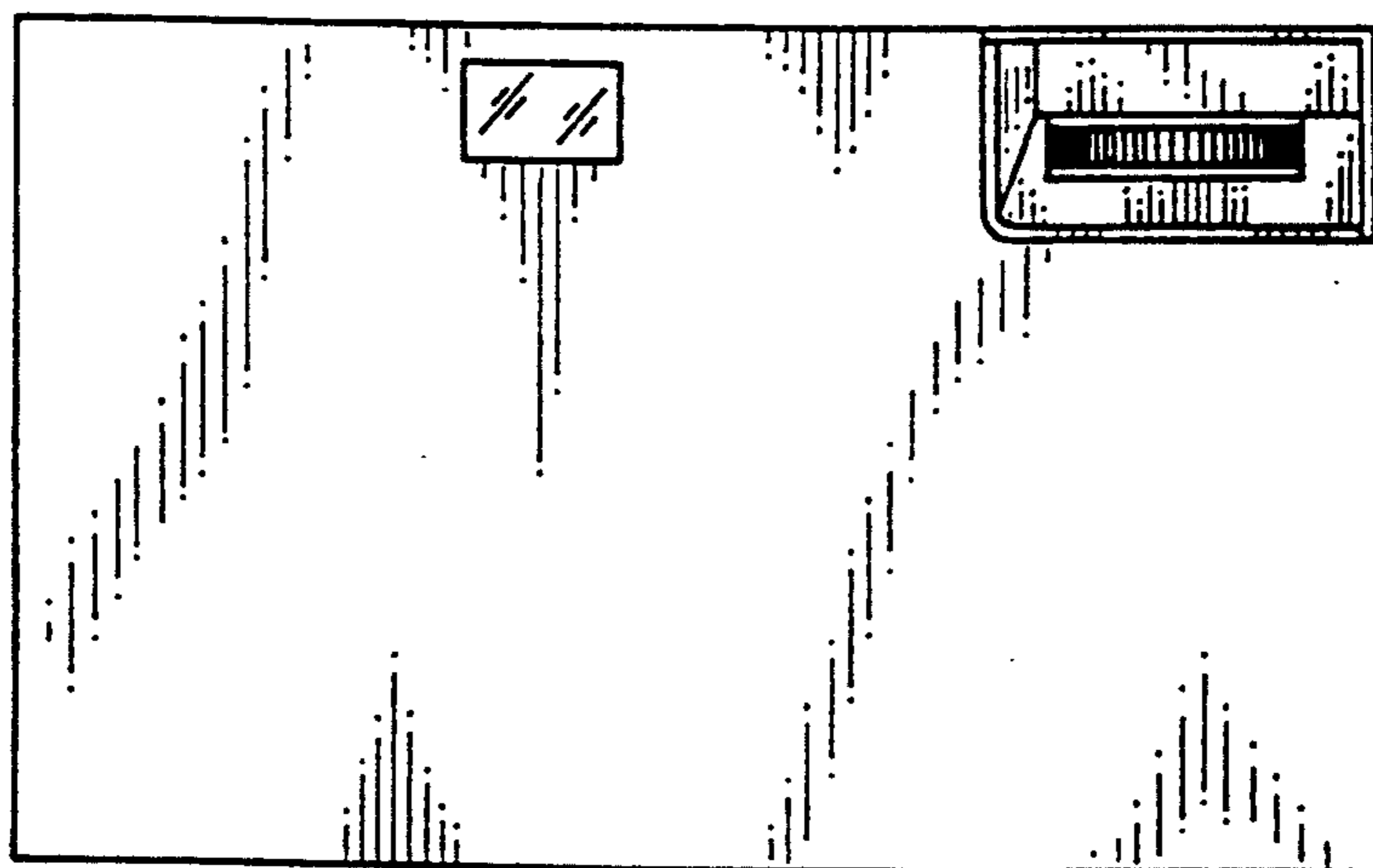


FIG. 4

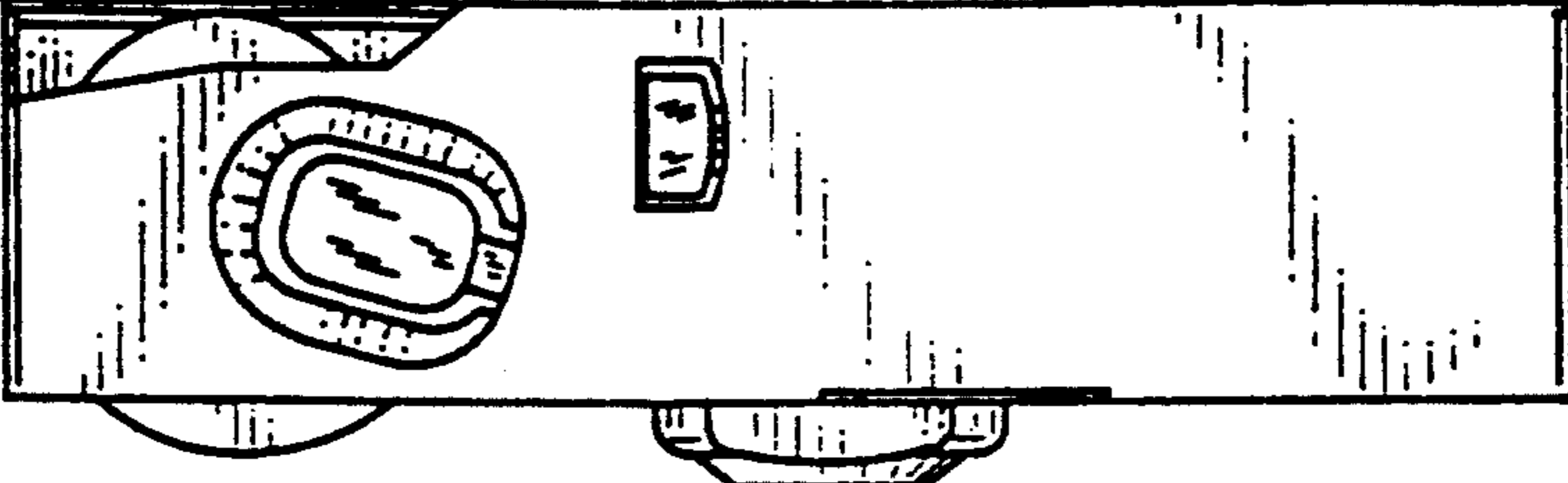


FIG. 5

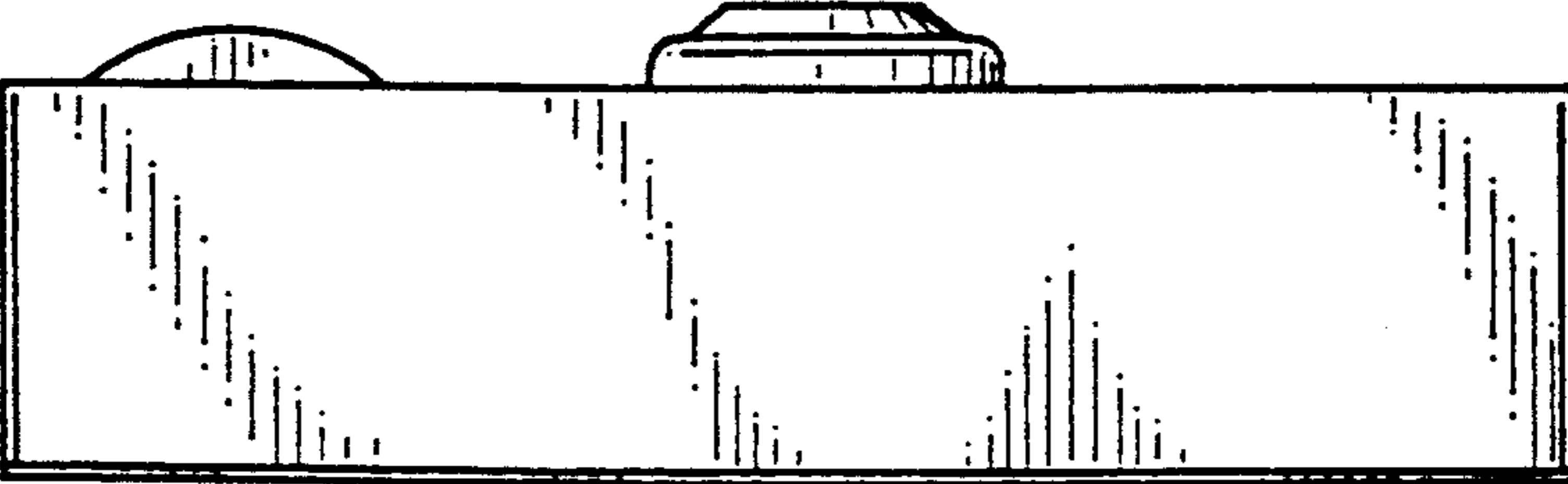


FIG. 6



FIG. 7

