



US00D345569S

United States Patent [19]

Yasunaga et al.

[11] Patent Number: **Des. 345,569**

[45] Date of Patent: **** Mar. 29, 1994**

[54] SINGLE USE CAMERA

[75] Inventors: **Koichi Yasunaga; Takuya Arai**, both of Tokyo, Japan

[73] Assignee: **Fuji Photo Film Co., Ltd.**, Kanagawa, Japan

[**] Term: **14 Years**

[21] Appl. No.: **948,839**

[22] Filed: **Sep. 16, 1992**

[30] Foreign Application Priority Data

Mar. 16, 1992 [JP] Japan 4-7426

[52] U.S. Cl. **D16/208; D16/200**

[58] Field of Search **D9/307, 414, 432; 354/75, 126, 149.11, 200, 288; D16/200, 201, 202-204, 208, 209, 217, 218**

[56] References Cited

U.S. PATENT DOCUMENTS

- D. 323,843 2/1992 Arai D16/208
- D. 325,741 4/1992 Arai D16/208
- D. 325,922 5/1992 Arai D16/208

- D. 328,912 8/1992 Arai et al. D16/208
- D. 330,564 10/1992 Kohno et al. D16/208
- 5,047,792 9/1991 Asano et al. 354/149.11

FOREIGN PATENT DOCUMENTS

- 2216278 10/1989 United Kingdom 354/288

Primary Examiner—Bernard Ansher
Assistant Examiner—Adir Aronovich
Attorney, Agent, or Firm—Young & Thompson

[57] CLAIM

The ornamental design for a single use camera, as shown.

DESCRIPTION

FIG. 1 is a perspective view of a single use camera showing our new design;
 FIG. 2 is a front elevational view thereof;
 FIG. 3 is a rear elevational view thereof;
 FIG. 4 is a top plan view thereof;
 FIG. 5 is a bottom plan view thereof;
 FIG. 6 is a side elevational view thereof from the left of FIG. 2; and,
 FIG. 7 is a side elevational view thereof from the right of FIG. 2.

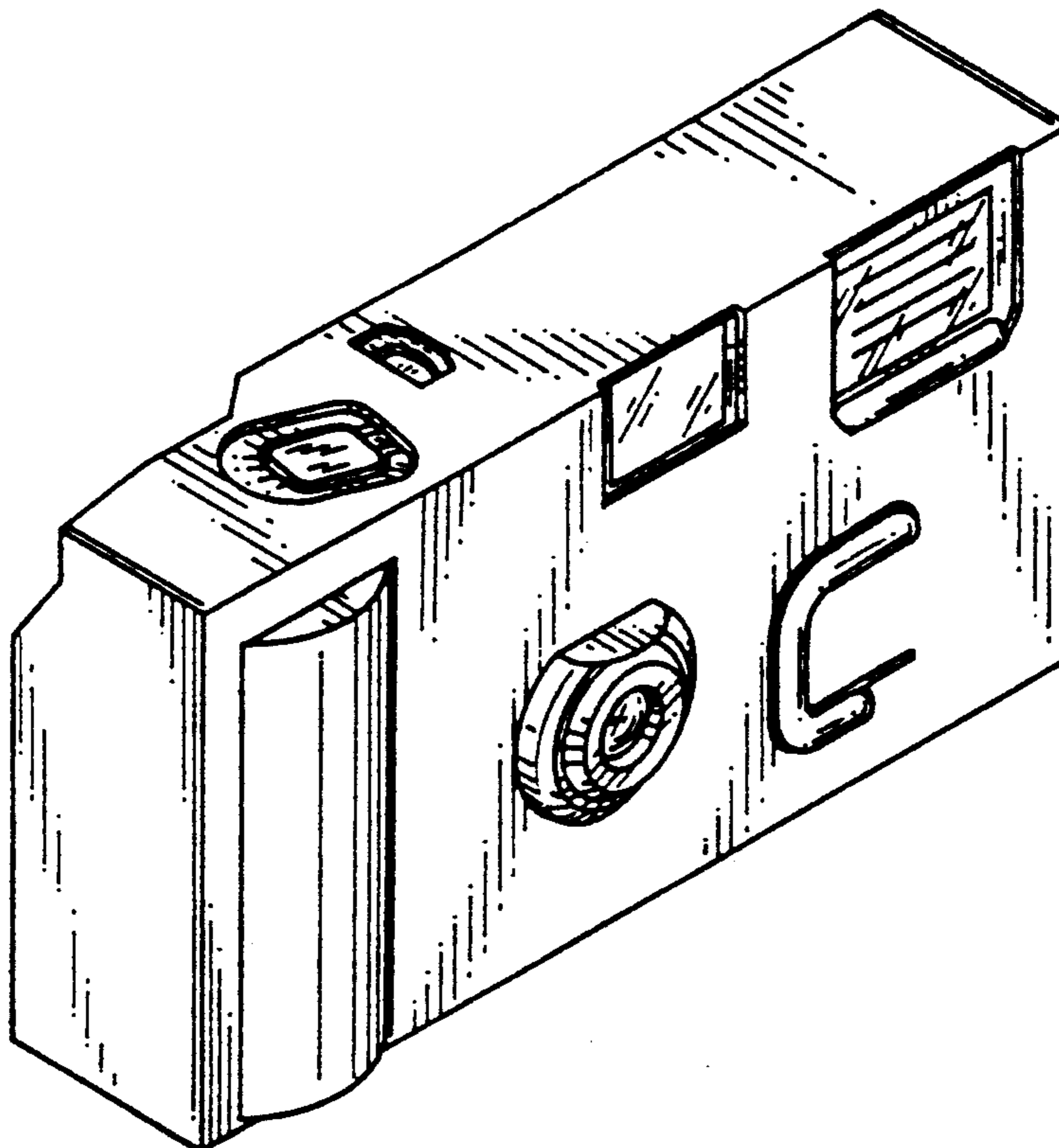


FIG. 1

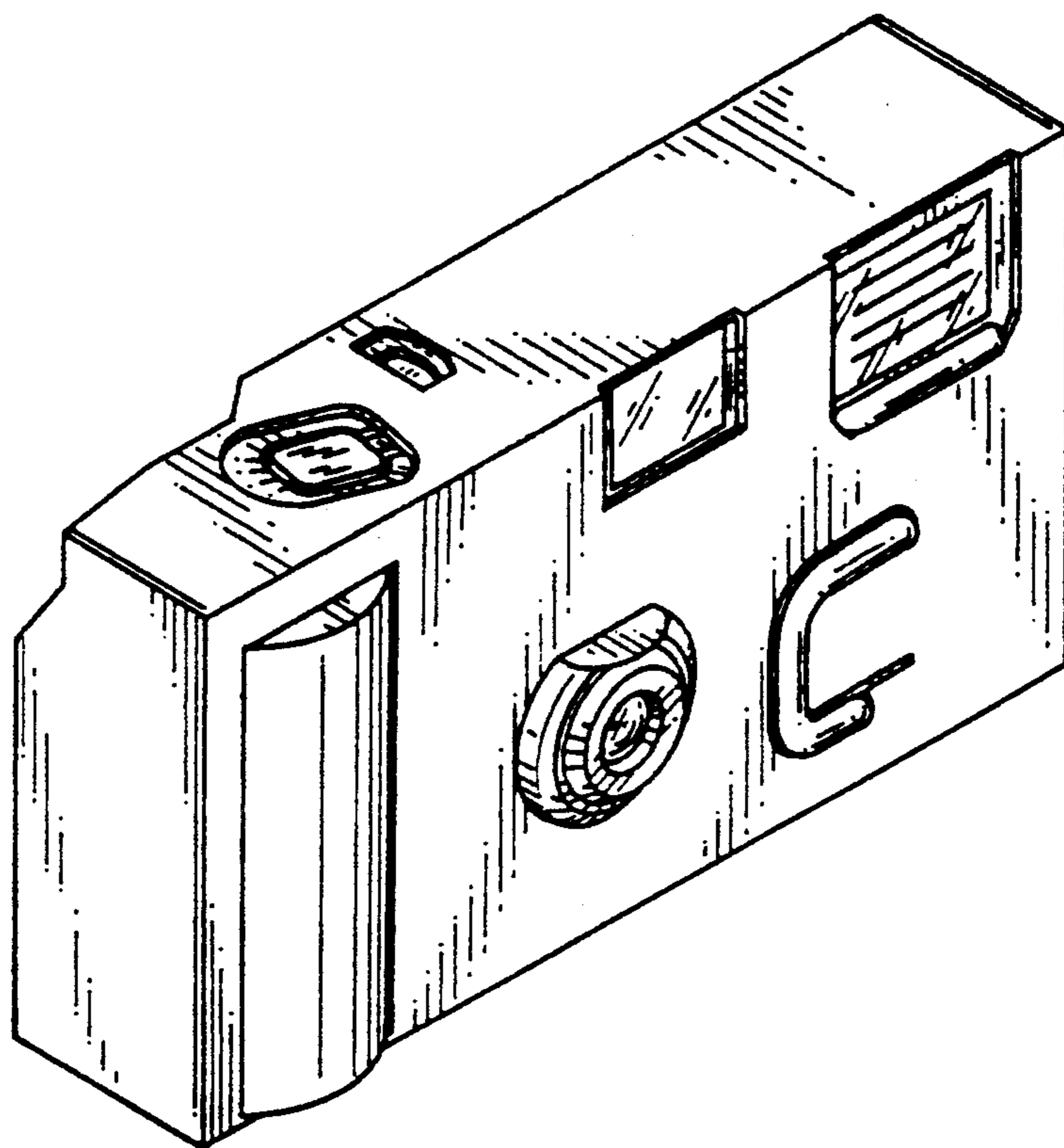


FIG. 2

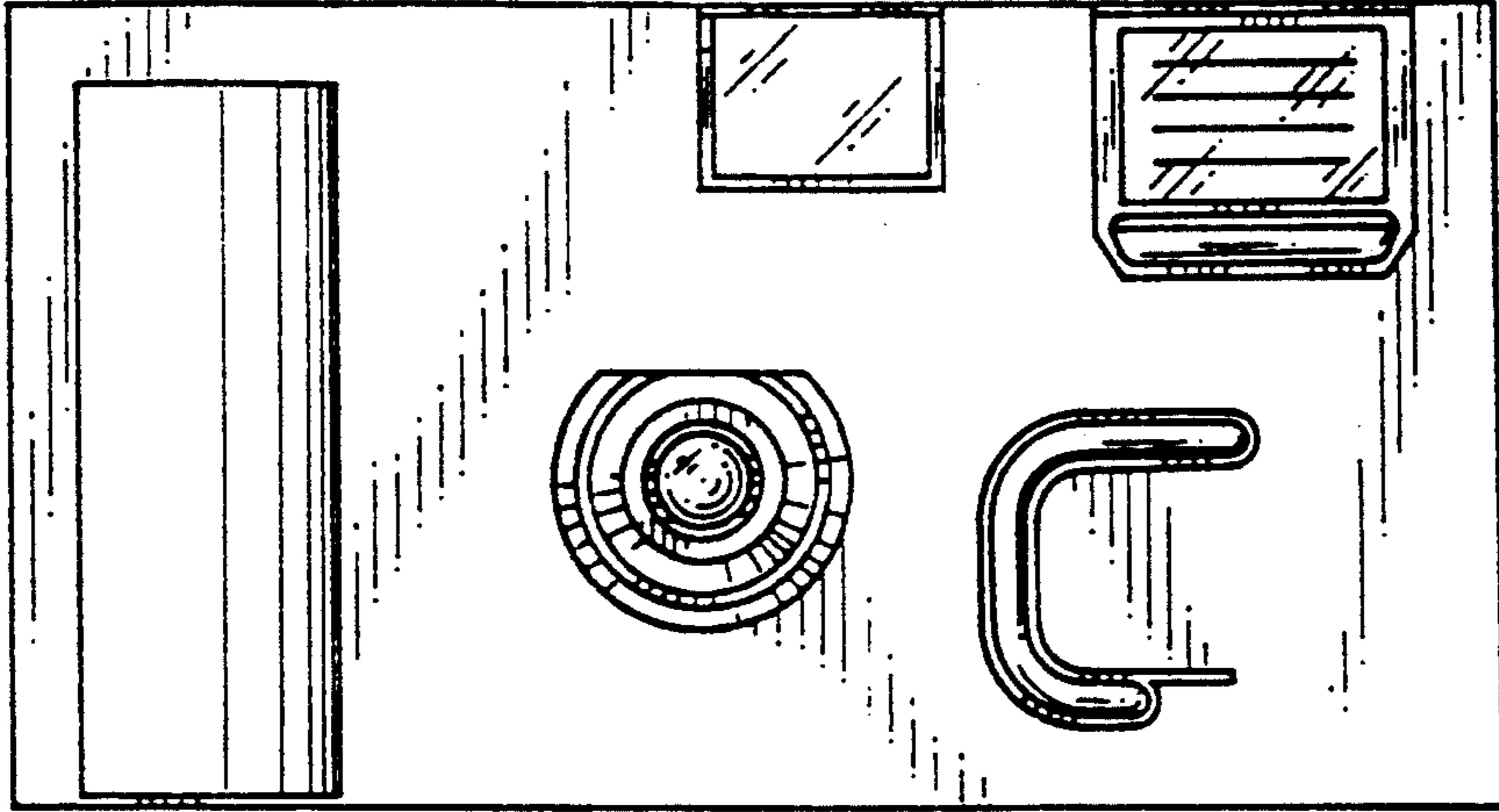


FIG. 3

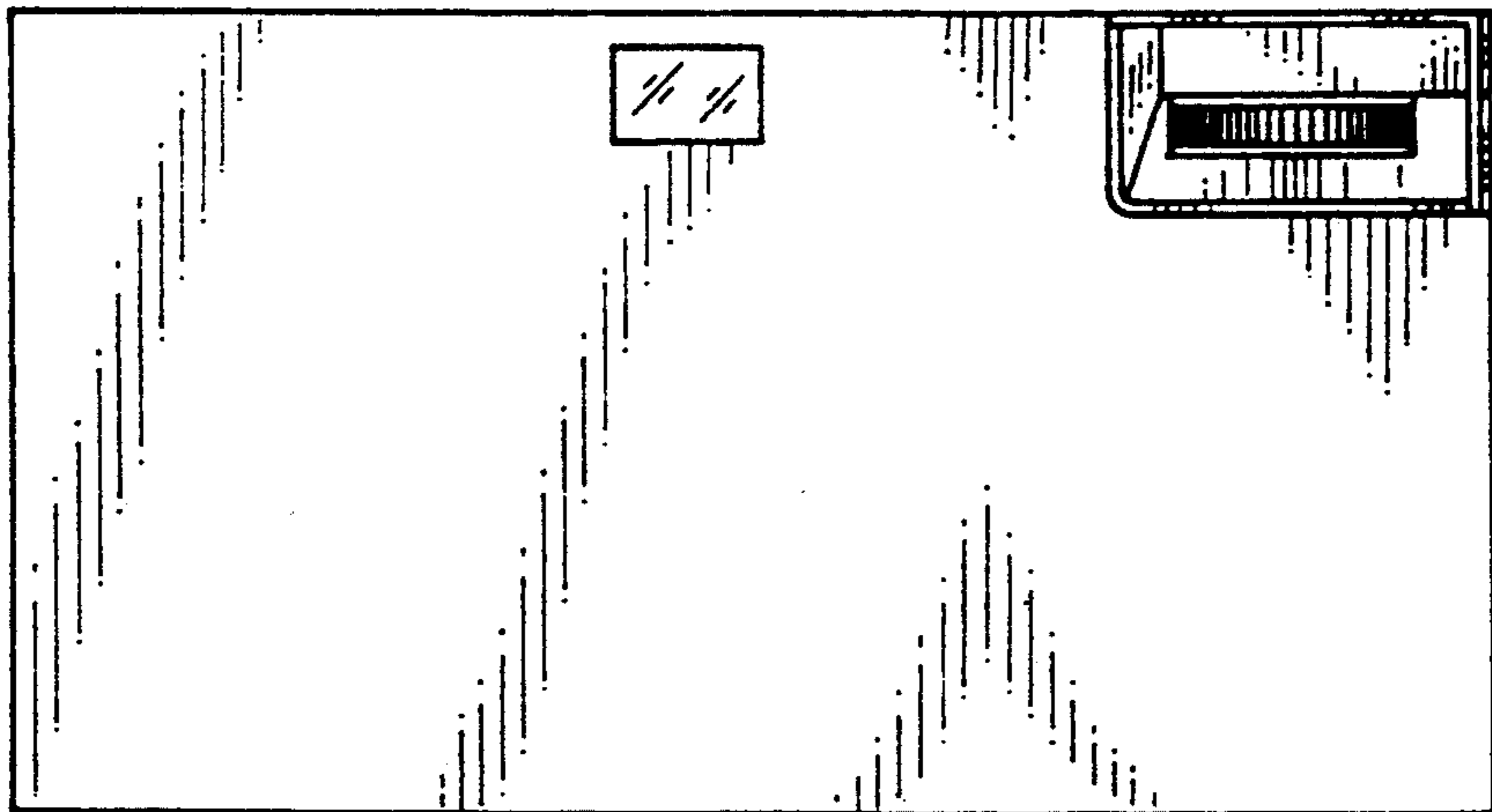


FIG. 4

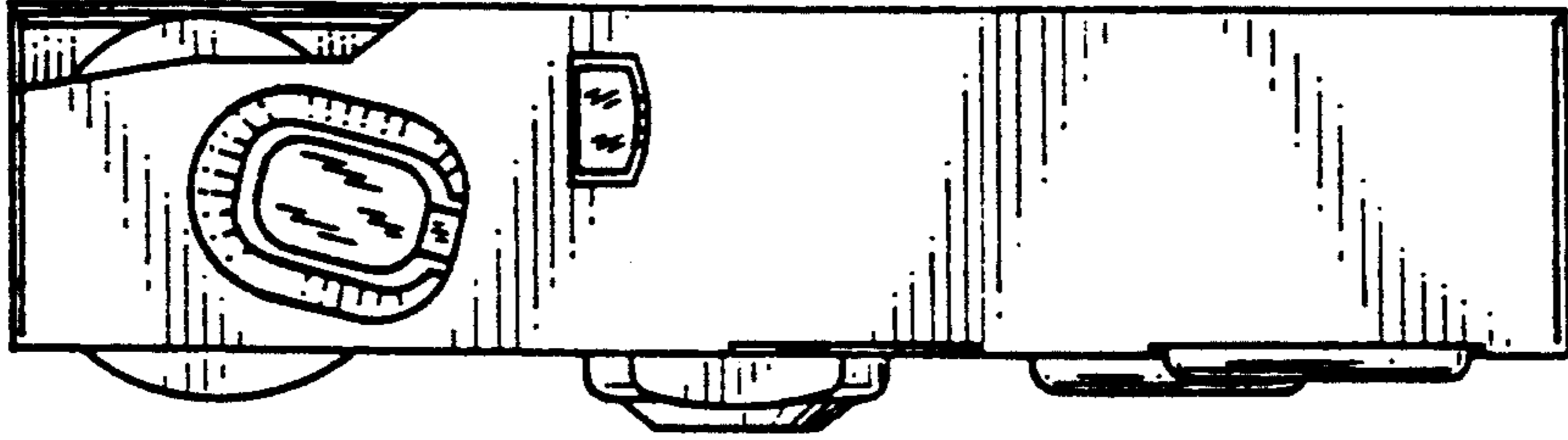


FIG. 5

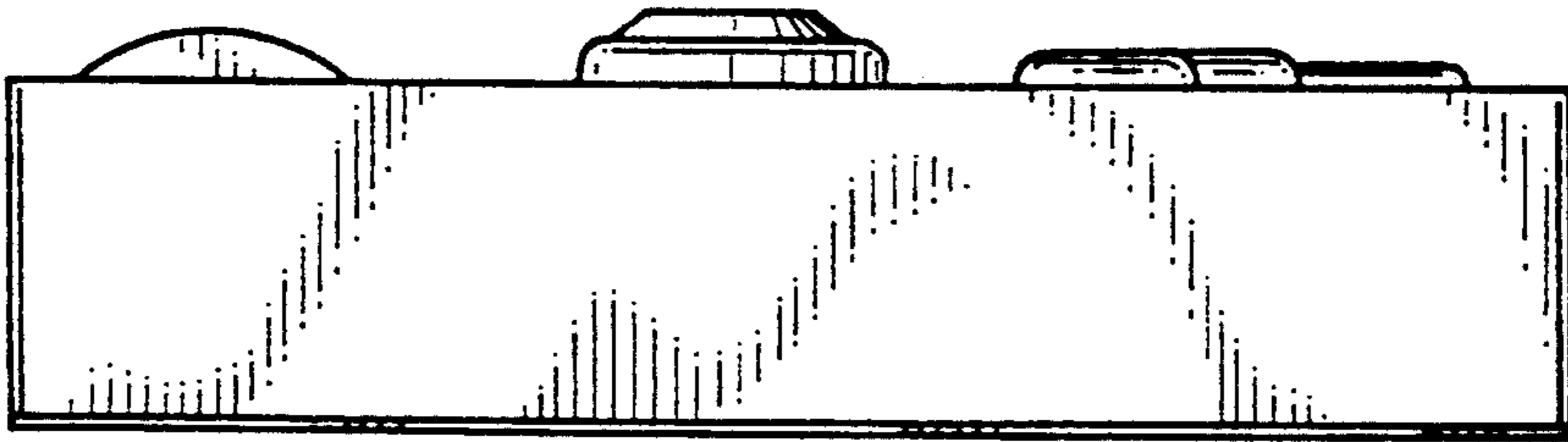


FIG. 6



FIG. 7

