



US00D345565S

# United States Patent [19]

[11] Patent Number: **Des. 345,565**

Carter et al.

[45] Date of Patent: **\*\* Mar. 29, 1994**

[54] **FRONT PANEL FOR A COMBINED RADIO RECEIVER AND COMPACT DISC PLAYER**

D. 322,789 12/1991 McCauley et al. .... D14/157 X  
D. 334,752 4/1993 Dziekan et al. .... D14/157 X

[75] Inventors: **James C. Carter**, Troy; **Robert C. Margossian**, Waterford; **Andrew P. Person**, Farmington Hills; **Michael G. Moore**, Rochester; **Harlan E. Kifer**, Birmingham; **Andrew D. Magic**, Livonia, all of Mich.; **Keizo Watanabe**, Iwaki, Japan

### OTHER PUBLICATIONS

Stereo Review, Apr. 1988, p. 77, Sherwood Car Stereo. JVC Mobile Audio Components 1990 Catalog, p. 11, bottom left—Model KS-RX710.

*Primary Examiner*—Theodore M. Shooman  
*Attorney, Agent, or Firm*—Edward A. Craig

[73] Assignee: **Chrysler Corporation**, Highland Park, Mich.

### [57] CLAIM

The ornamental design for front panel for a combined radio receiver and compact disc player, as shown and described.

[\*\*] Term: **14 Years**

### DESCRIPTION

[21] Appl. No.: **819,946**

FIG. 1 is a top plan view of front panel for a combined radio receiver and compact disc player showing our new design;

[22] Filed: **Jan. 13, 1992**

[52] U.S. Cl. .... **D14/258; D14/157**

[58] Field of Search ..... **455/345, 346; D14/124, D14/157, 188, 257, 258, 299**

FIG. 2 is a front elevational view thereof;

FIG. 3 is a bottom plan view thereof;

FIG. 4 is a left side elevational view thereof;

FIG. 5 is a right side elevational view thereof; and,

FIG. 6 is a view in perspective thereof.

### [56] References Cited

#### U.S. PATENT DOCUMENTS

D. 261,136 10/1981 Yamada et al. .... D14/157  
D. 308,383 6/1990 Mergregian et al. .... D14/258  
D. 315,567 3/1991 McCauley et al. .... D14/157 X

The housing shown in broken lines in FIGS. 1 and 3-6 is shown for illustrative purposes only and forms no part of the claimed design.

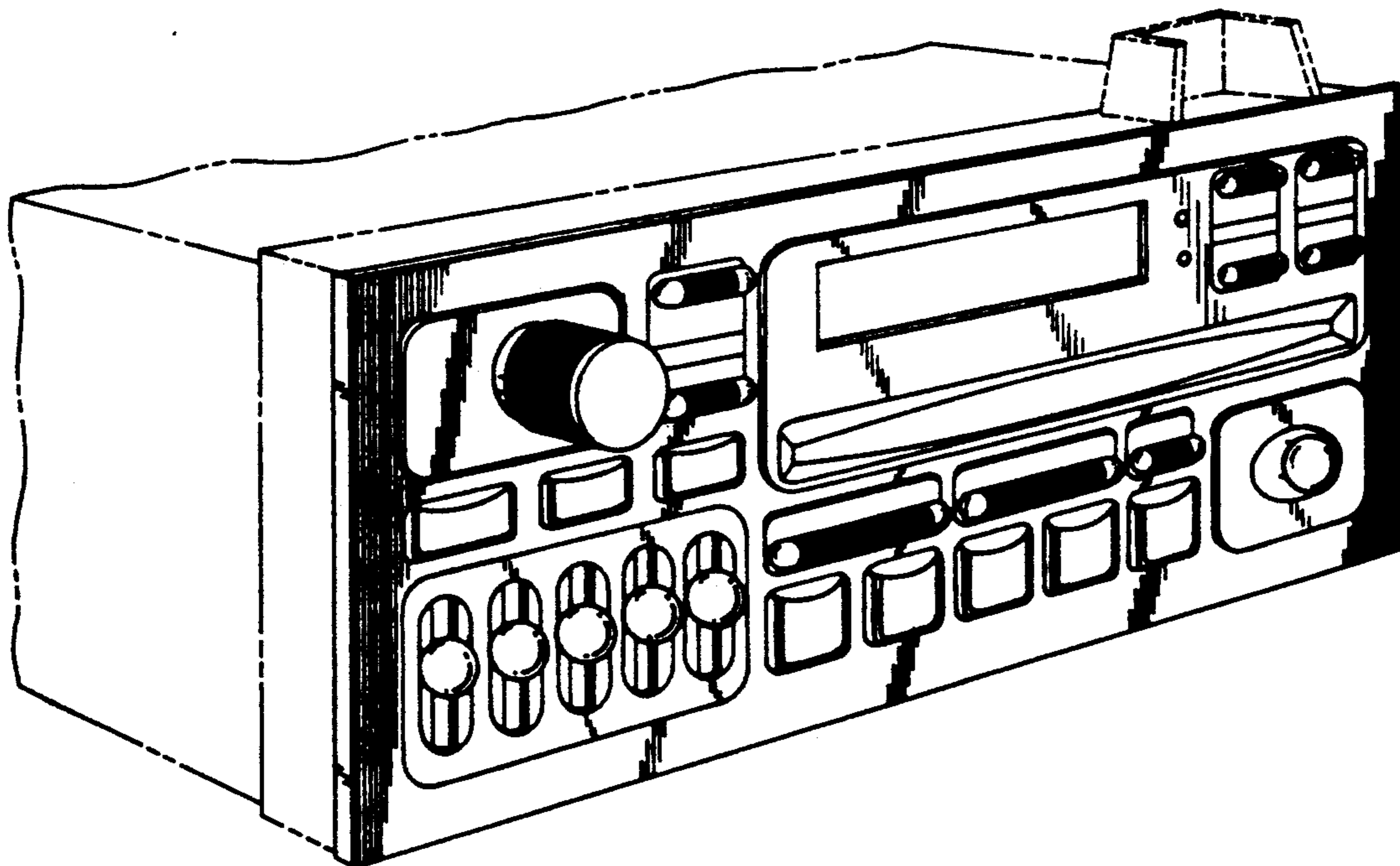


FIG. 1

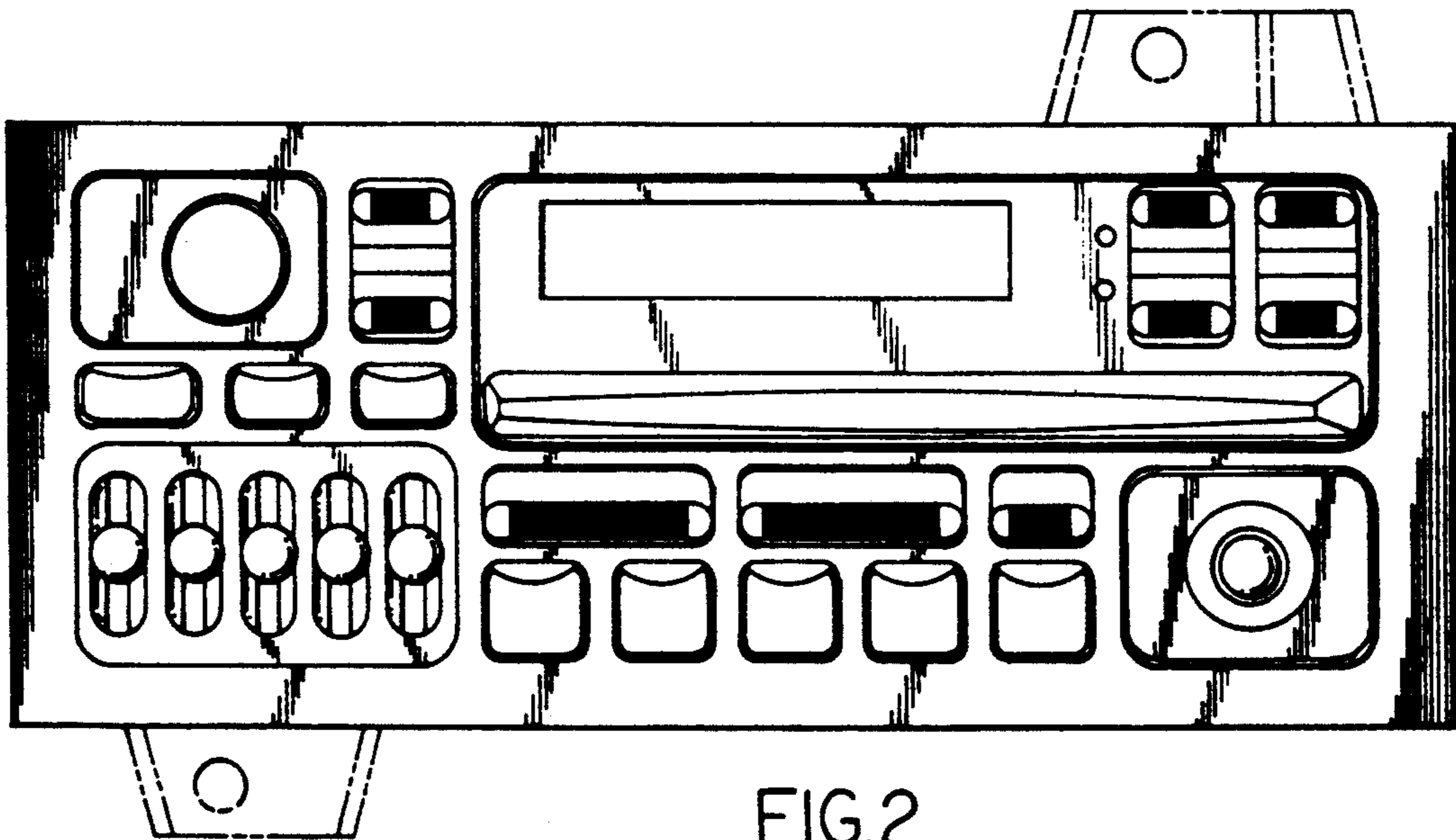
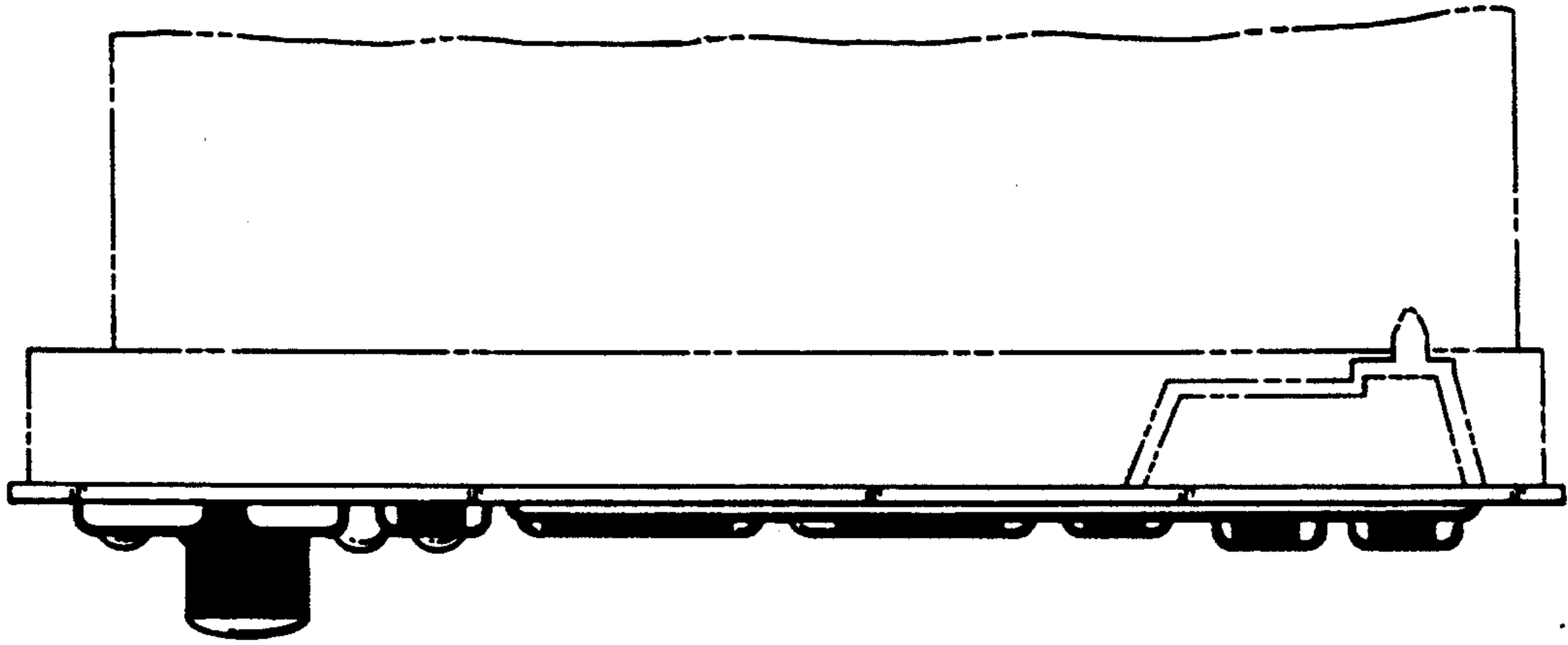
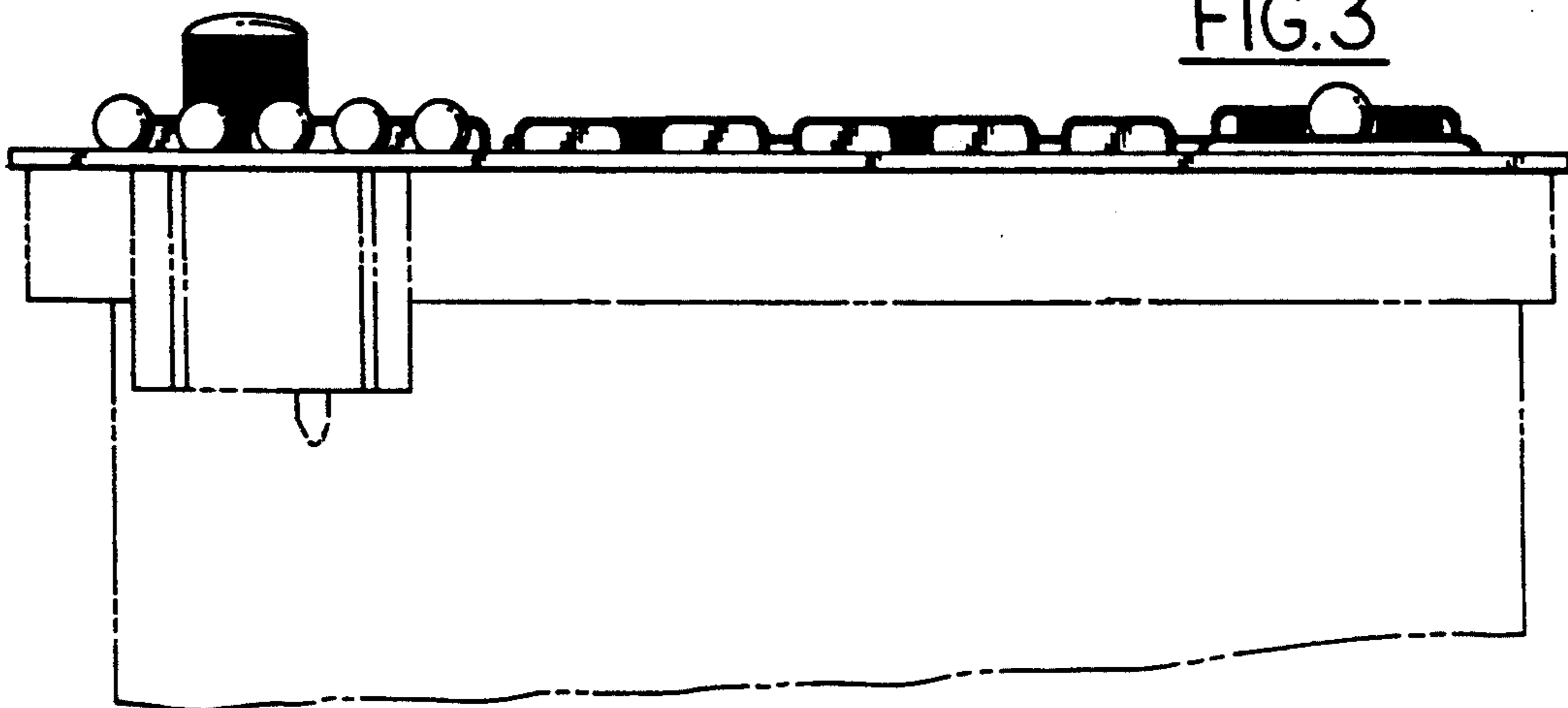


FIG. 2

FIG. 3



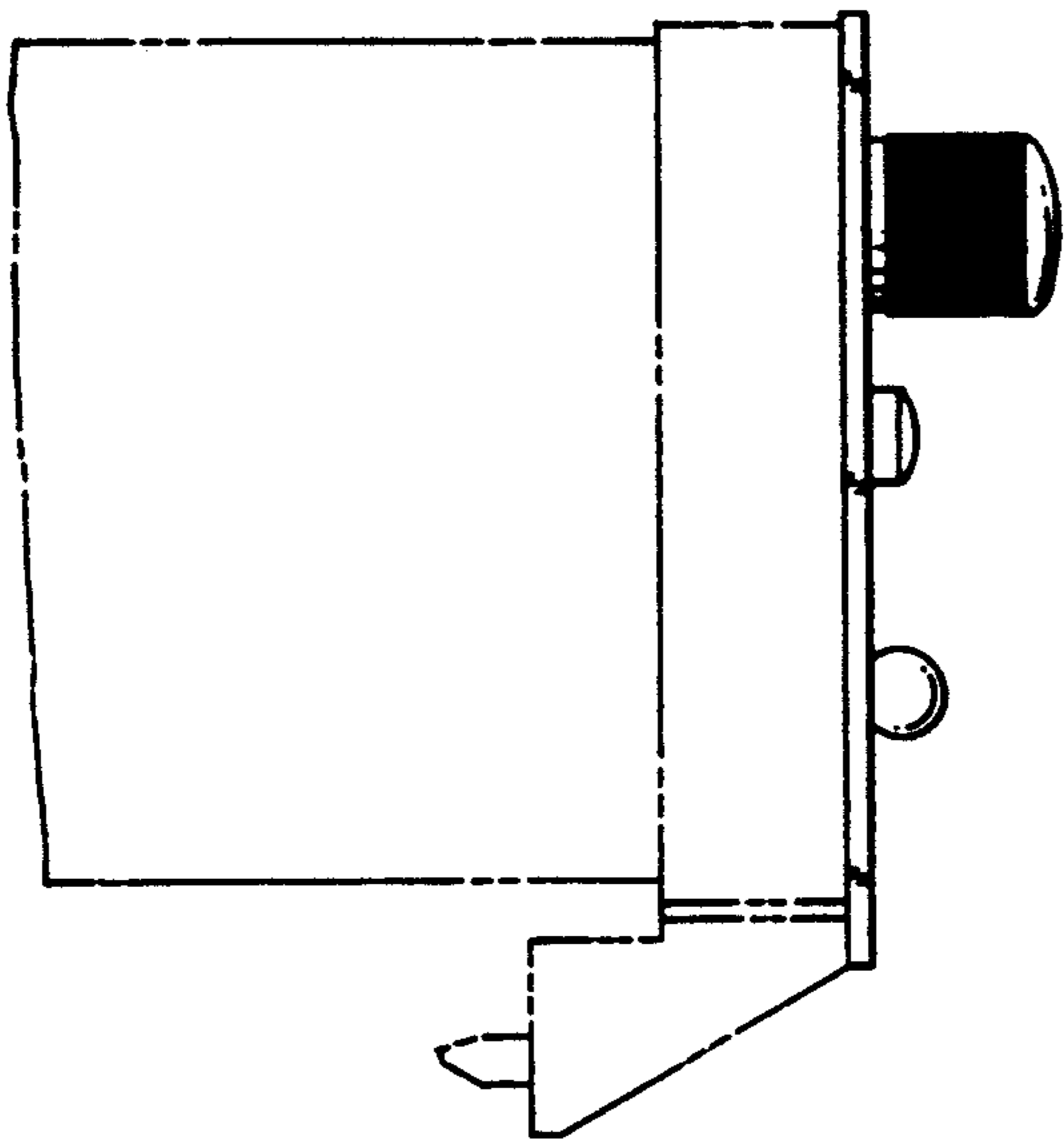


FIG. 4

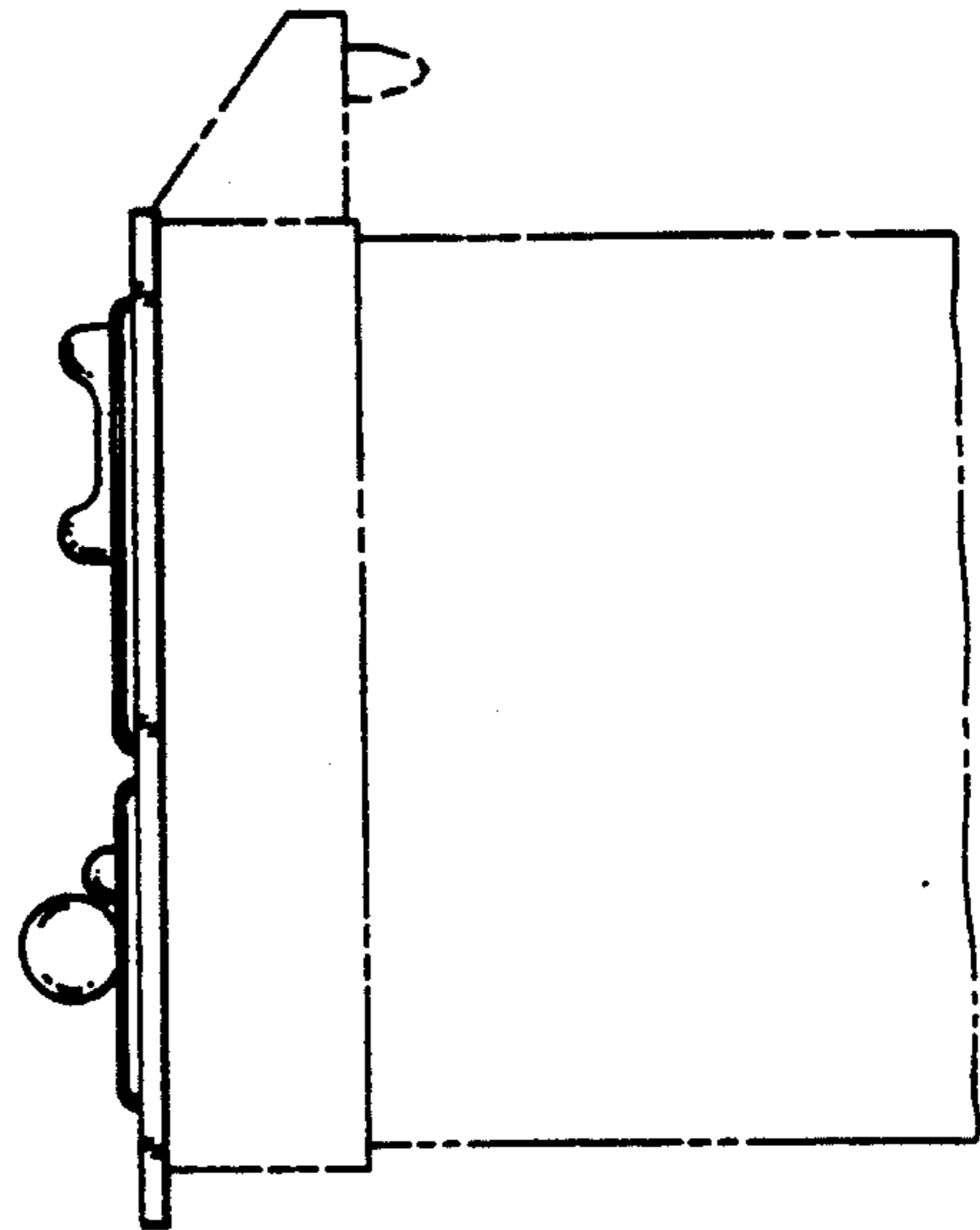


FIG. 5

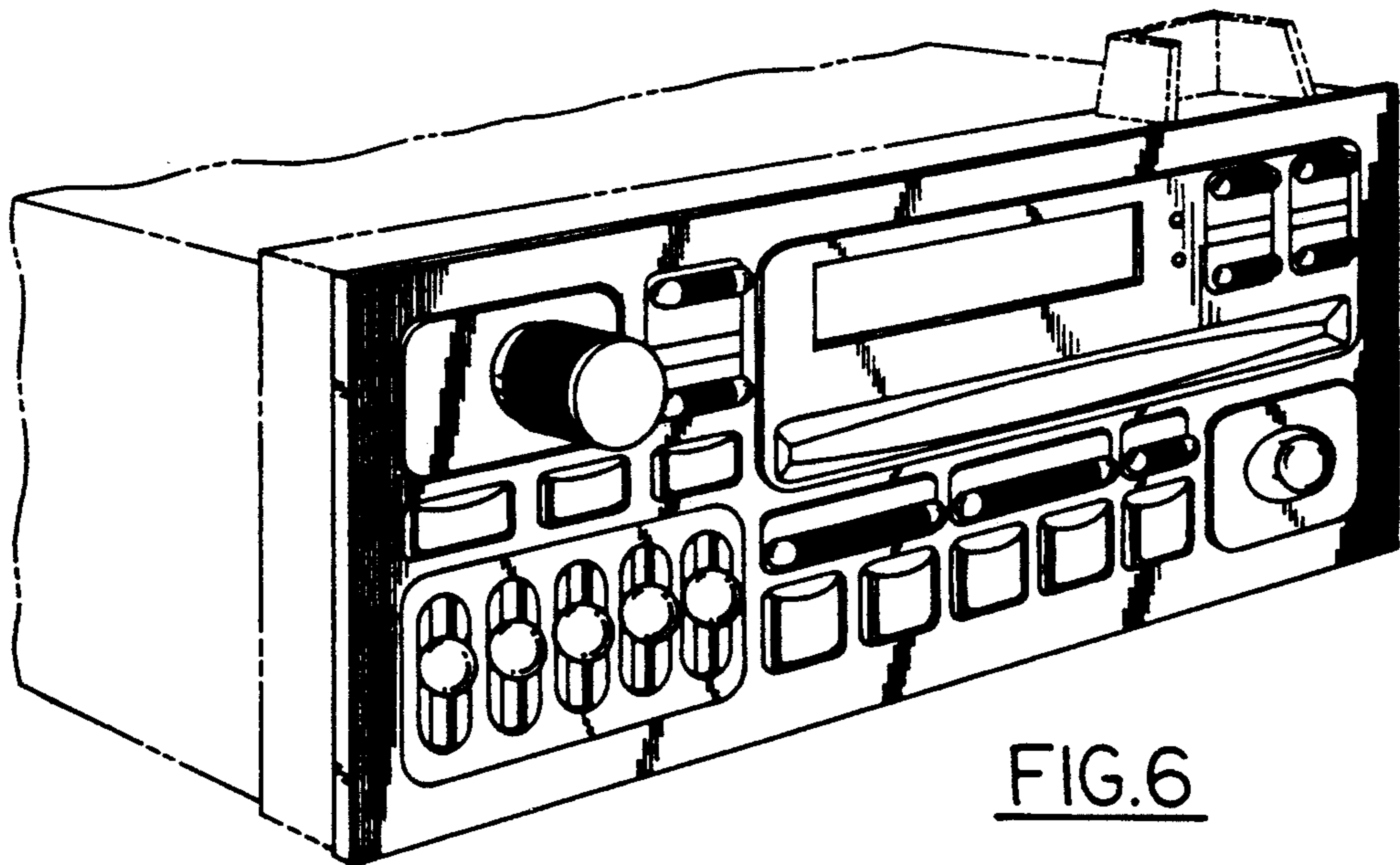


FIG. 6