



US00D34552S

United States Patent [19]

[11] Patent Number: **Des. 345,552**

Mundt

[45] Date of Patent: ** Mar. 29, 1994

[54] **PERSONAL NOTEBOOK COMPUTER WITH AN INTEGRATED TRACKBALL**

[75] Inventor: **Kevin W. Mundt**, Spring, Tex.

[73] Assignee: **Compaq Computer Corporation**, Houston, Tex.

[**] Term: **14 Years**

[21] Appl. No.: **893,695**

[22] Filed: **Jun. 5, 1992**

[52] U.S. Cl. **D14/106**

[58] Field of Search 235/145 A, 145 R; 340/700, 706; 341/22, 23; 361/390, 394; 364/708, 709.04; D14/100, 101, 106, 113, 115; D18/1, 7, 11, 12

[56] **References Cited**

U.S. PATENT DOCUMENTS

D. 306,433	3/1990	Mitchell	D14/106
D. 312,450	11/1990	Walters, II	D14/106
D. 316,545	4/1991	Esslinger et al.	D14/106
D. 317,442	6/1991	Gintz	D14/106
D. 329,853	9/1992	Mizusugi et al.	D14/106
D. 333,815	3/1993	Mizusugi et al.	D14/106
D. 334,182	3/1993	Mizusugi et al.	D14/106
D. 335,870	5/1993	Yun	D14/106

OTHER PUBLICATIONS

Byte. Jun. 1991 p. 292-TI Travel Mate 3000-left side of page Group 290.

Computer Reseller News, Apr. 6, 1992, p. 181.

Computer Reseller News, Apr. 13, 1992, p. 26.

PC Magazine, Apr. 28, 1992, pp. 127, 186, 352, 344.

Primary Examiner—Wallace R. Burke

Assistant Examiner—Freda S. Nunn

Attorney, Agent, or Firm—James R. Burdett; L. Jon Lindsay

[57] **CLAIM**

The ornamental design for a personal notebook computer with an integrated trackball, as shown and described.

DESCRIPTION

FIG. 1 is a top front and left side perspective view of a personal notebook computer with an integrated trackball showing my new design with the screen closed;

FIG. 2 is a top front and left side perspective view thereof with the screen open;

FIG. 3 is a front elevational view thereof with the screen closed;

FIG. 4 is a rear elevational view thereof;

FIG. 5 is a right side elevational view thereof;

FIG. 6 is a left side elevational view thereof;

FIG. 7 is a bottom plan view thereof;

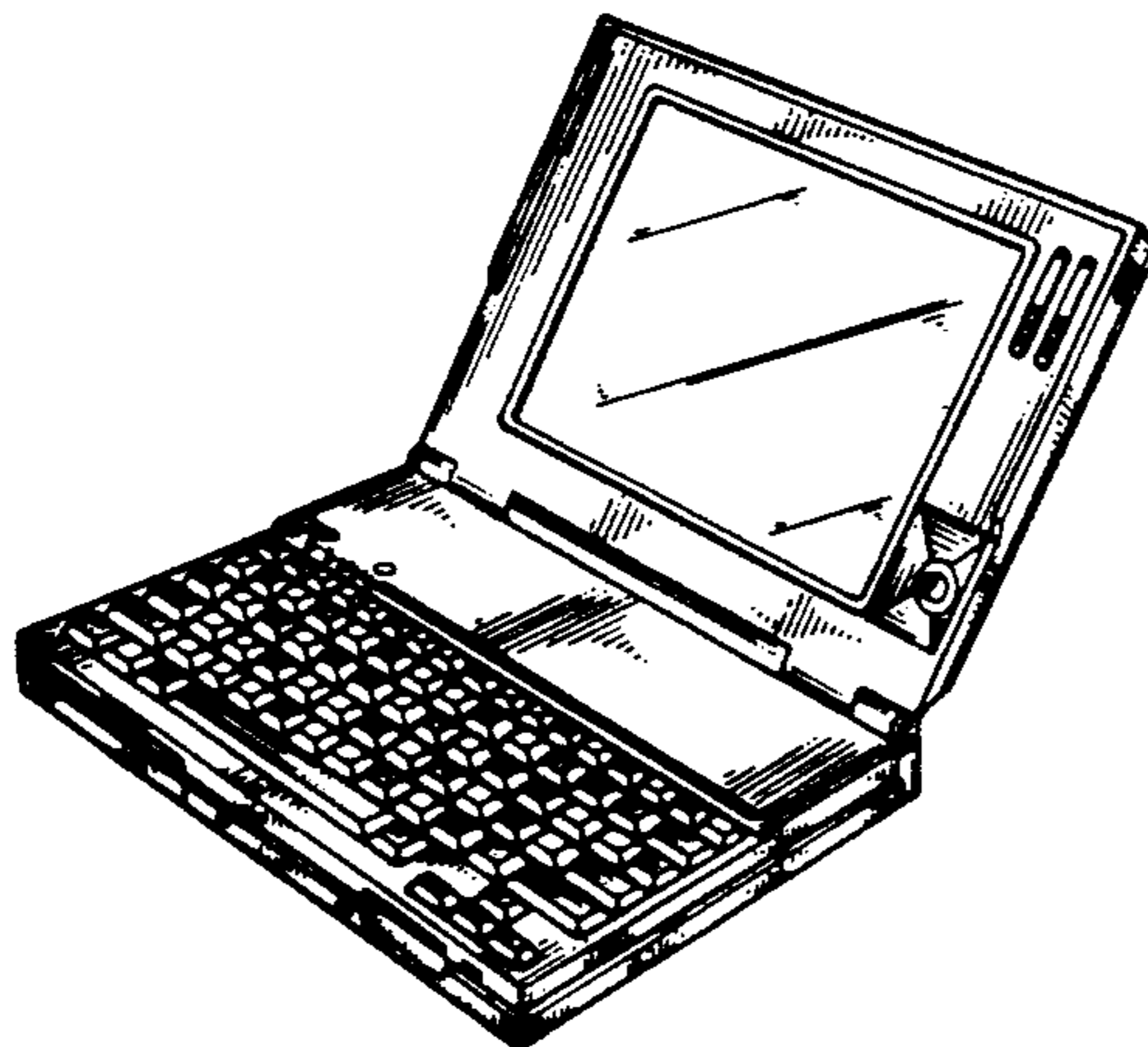
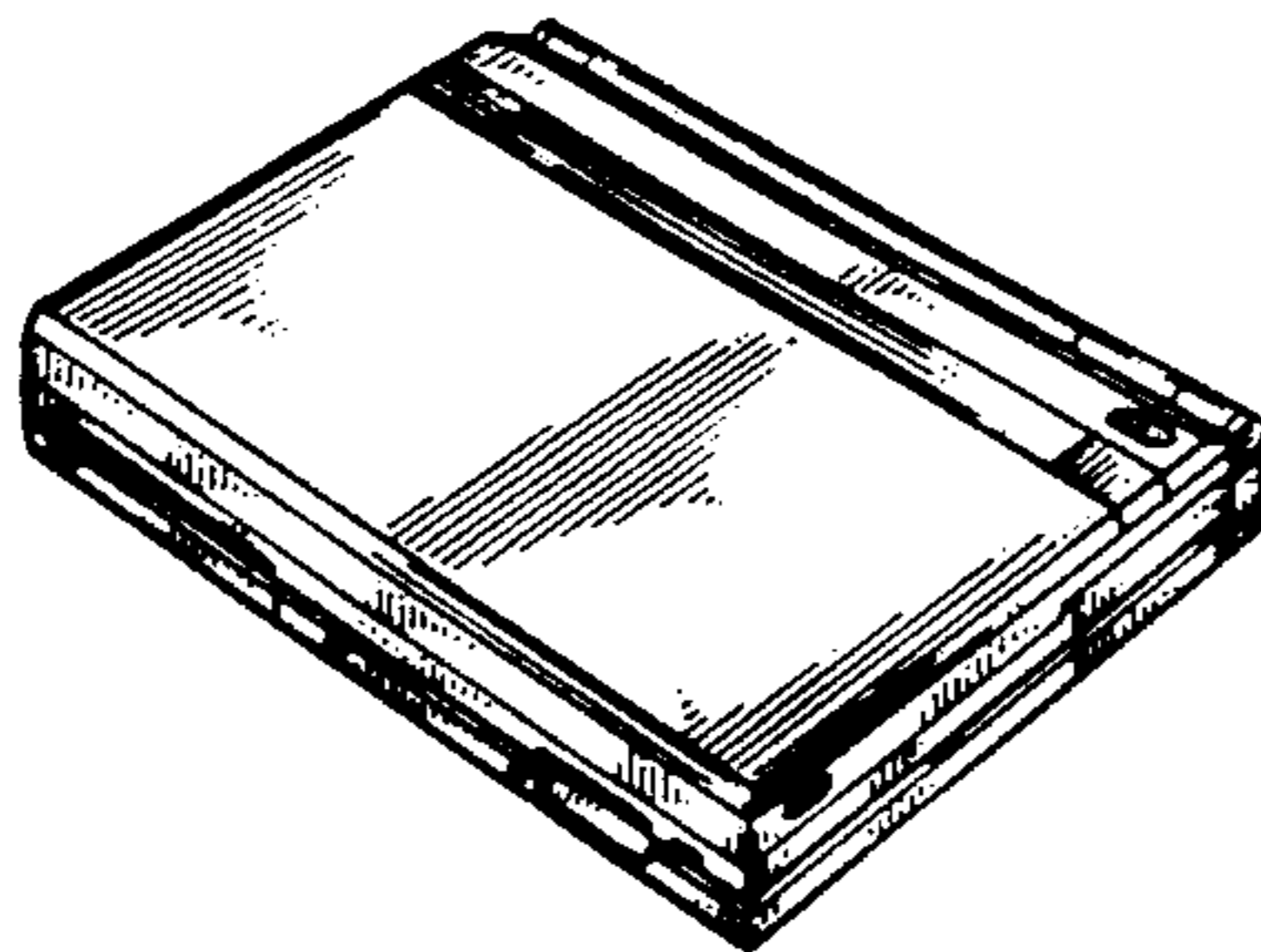
FIG. 8 is a right side elevational view thereof with the screen open;

FIG. 9 is a left side elevational view thereof;

FIG. 10 is a top front and left side perspective view of a second embodiment thereof with the screen closed; and,

FIG. 11 is a top front and left side perspective view thereof with the screen open.

The undisclosed views of the second embodiment are identical in appearance to those of the first embodiment.



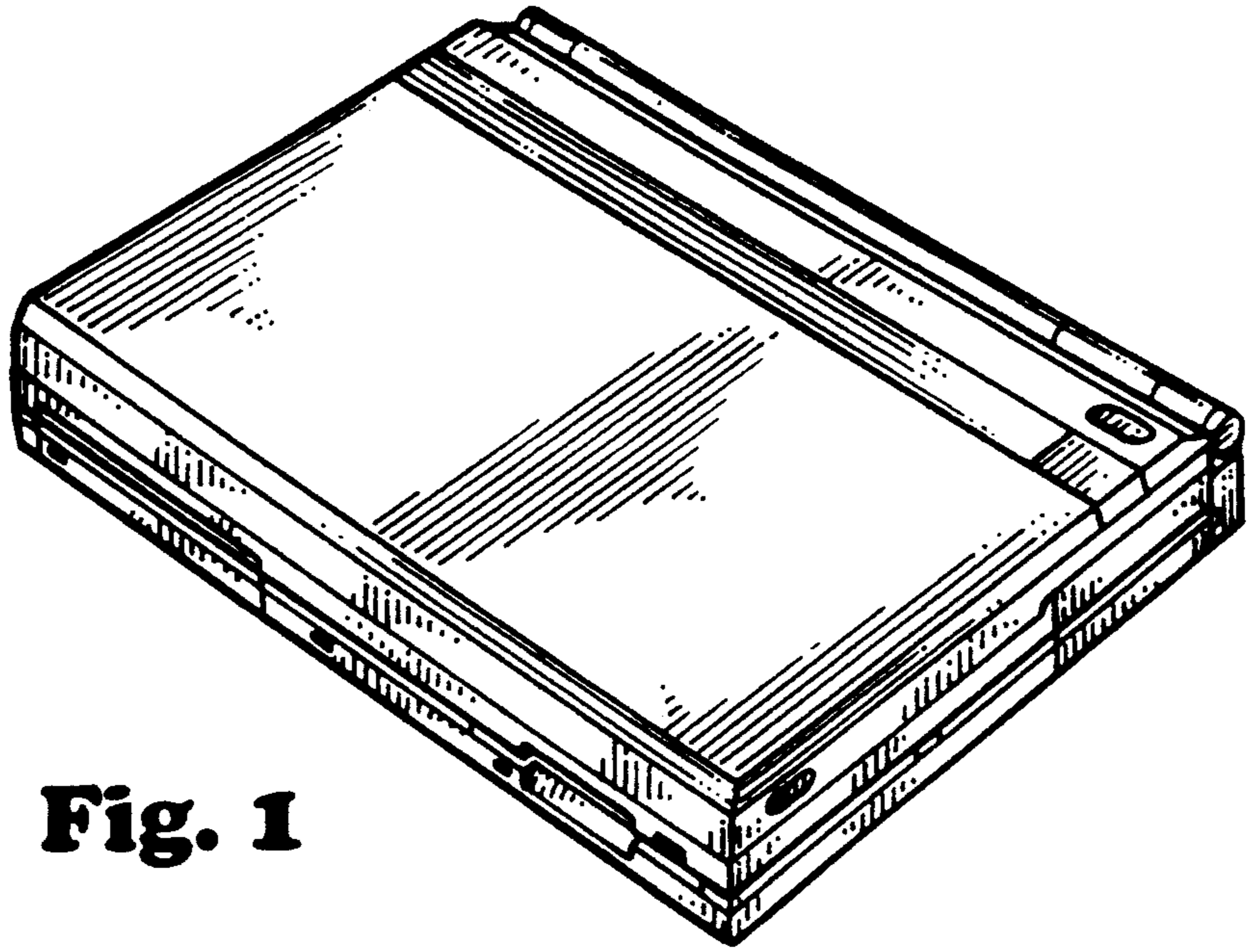


Fig. 1

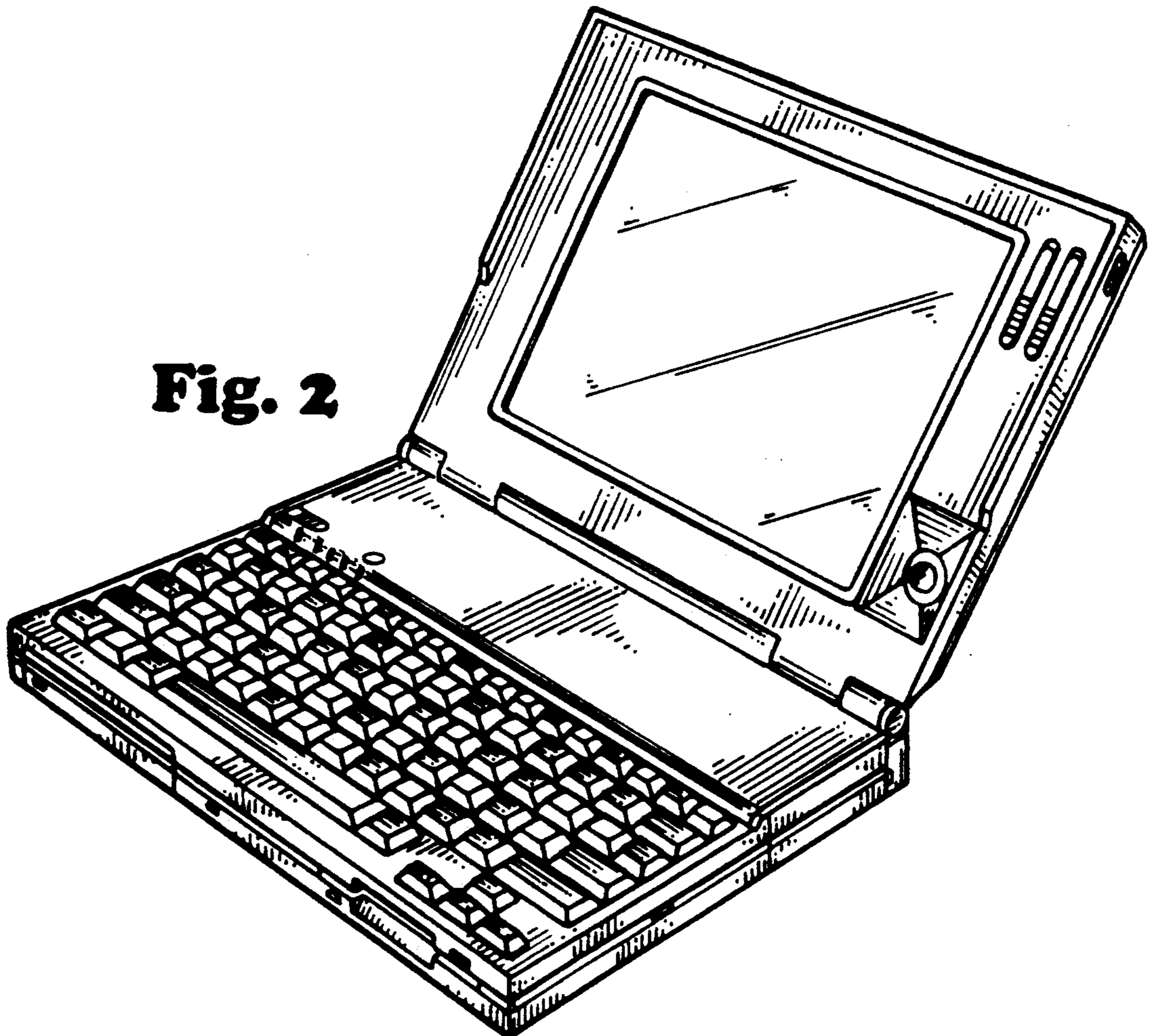


Fig. 2

Fig. 3

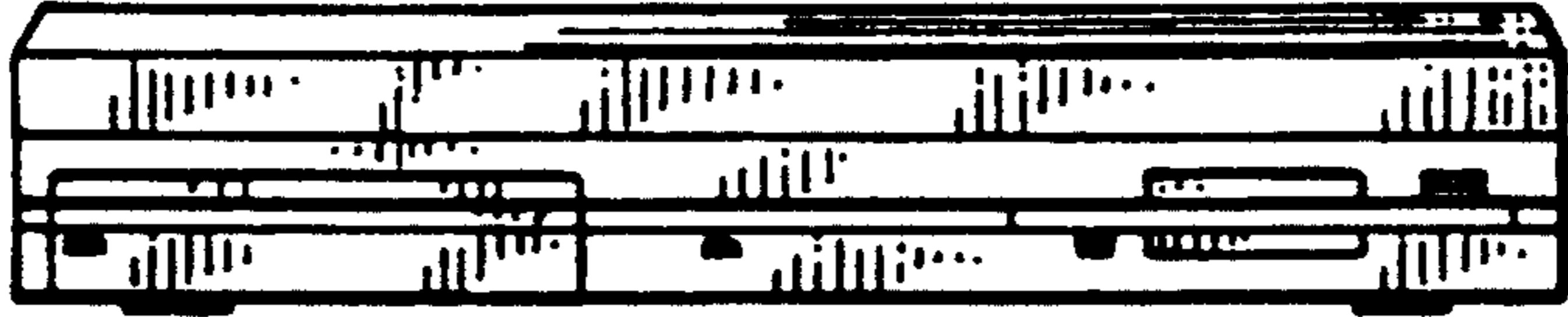


Fig. 4

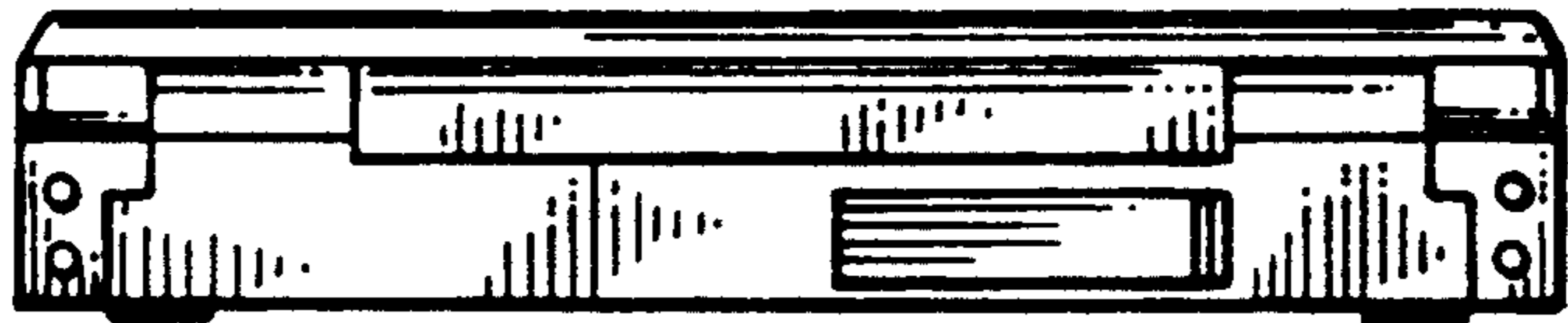


Fig. 5

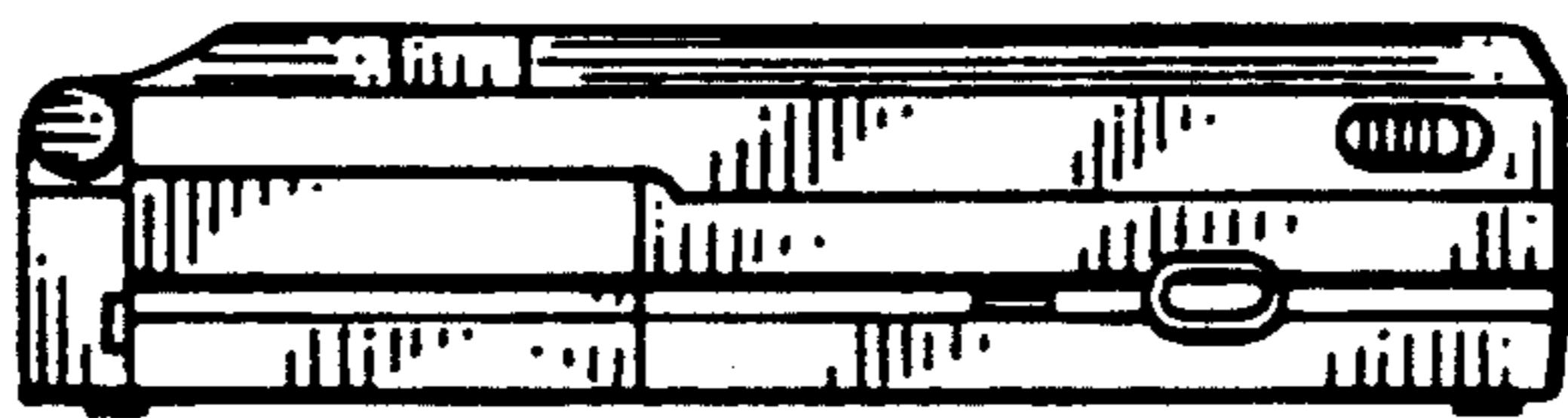


Fig. 6

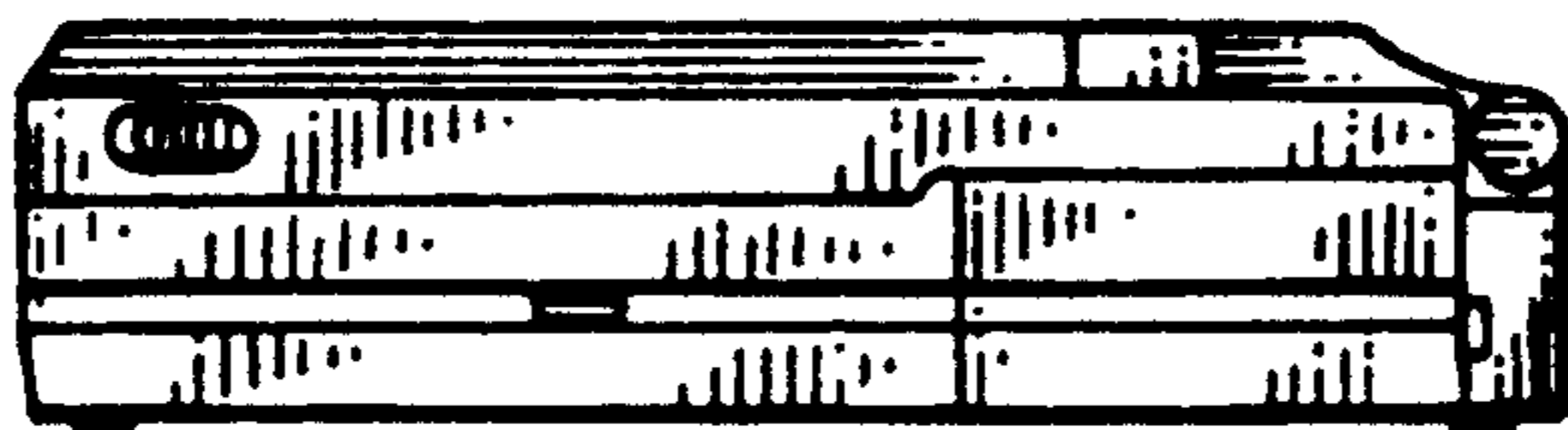


Fig. 7

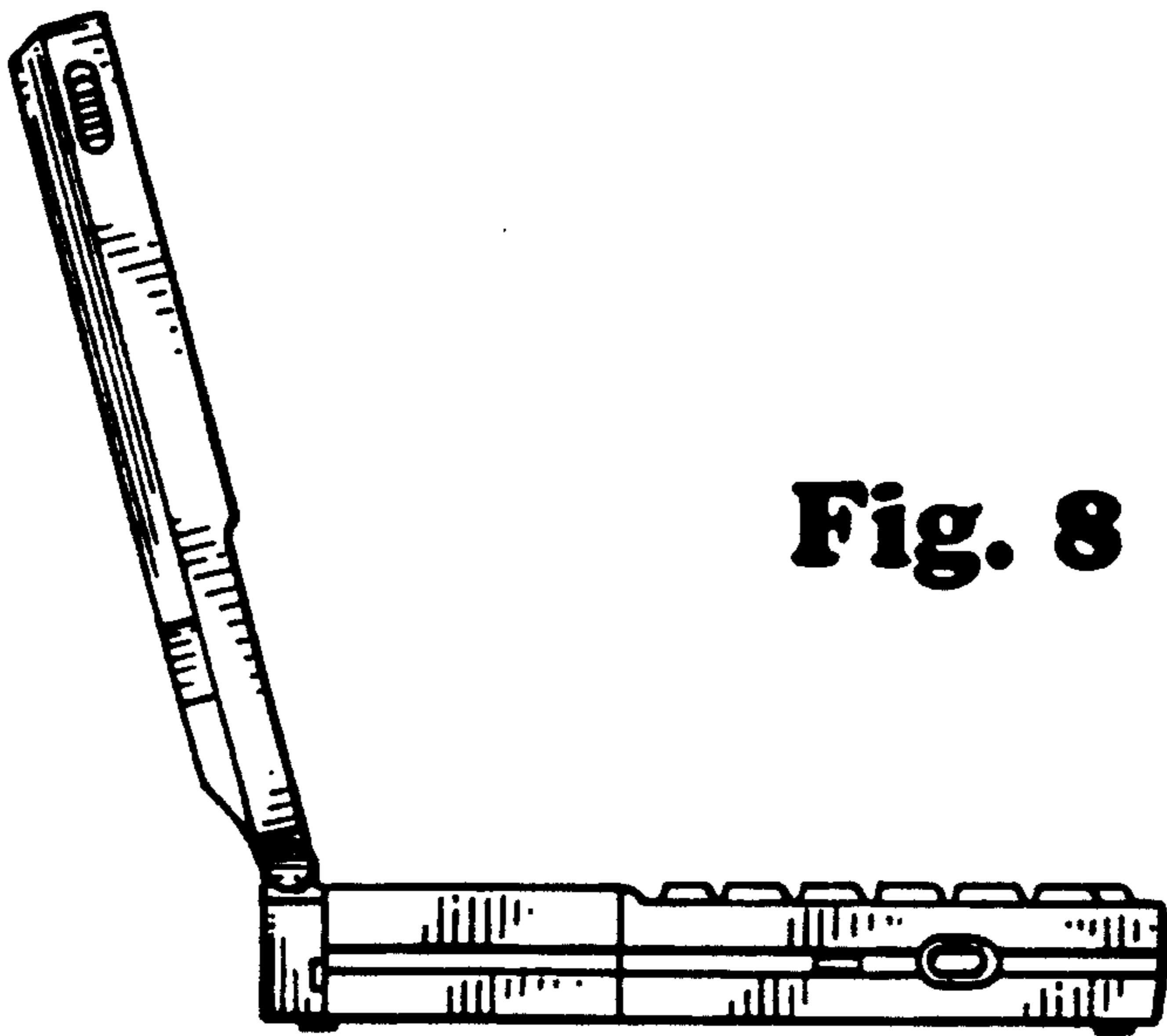
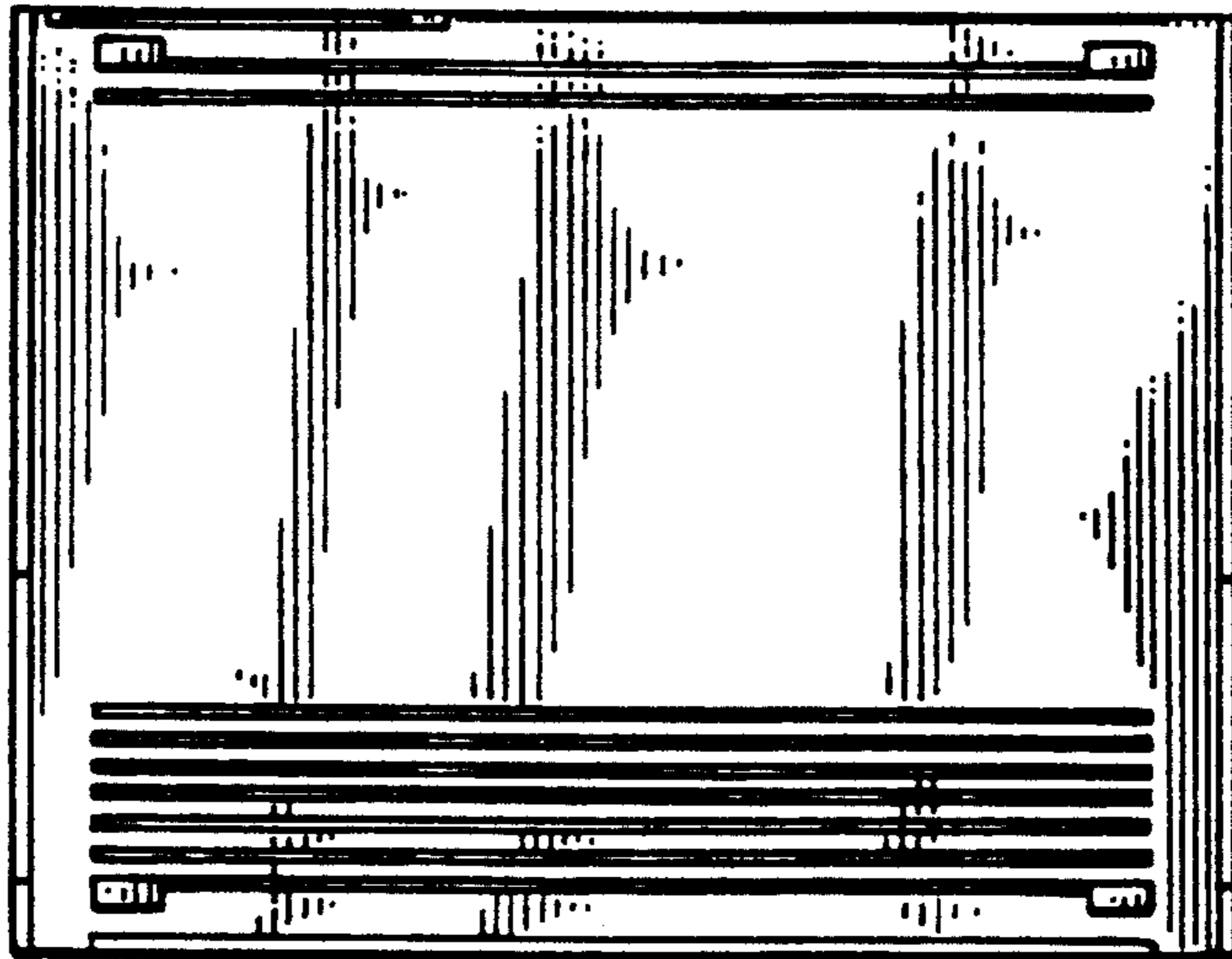
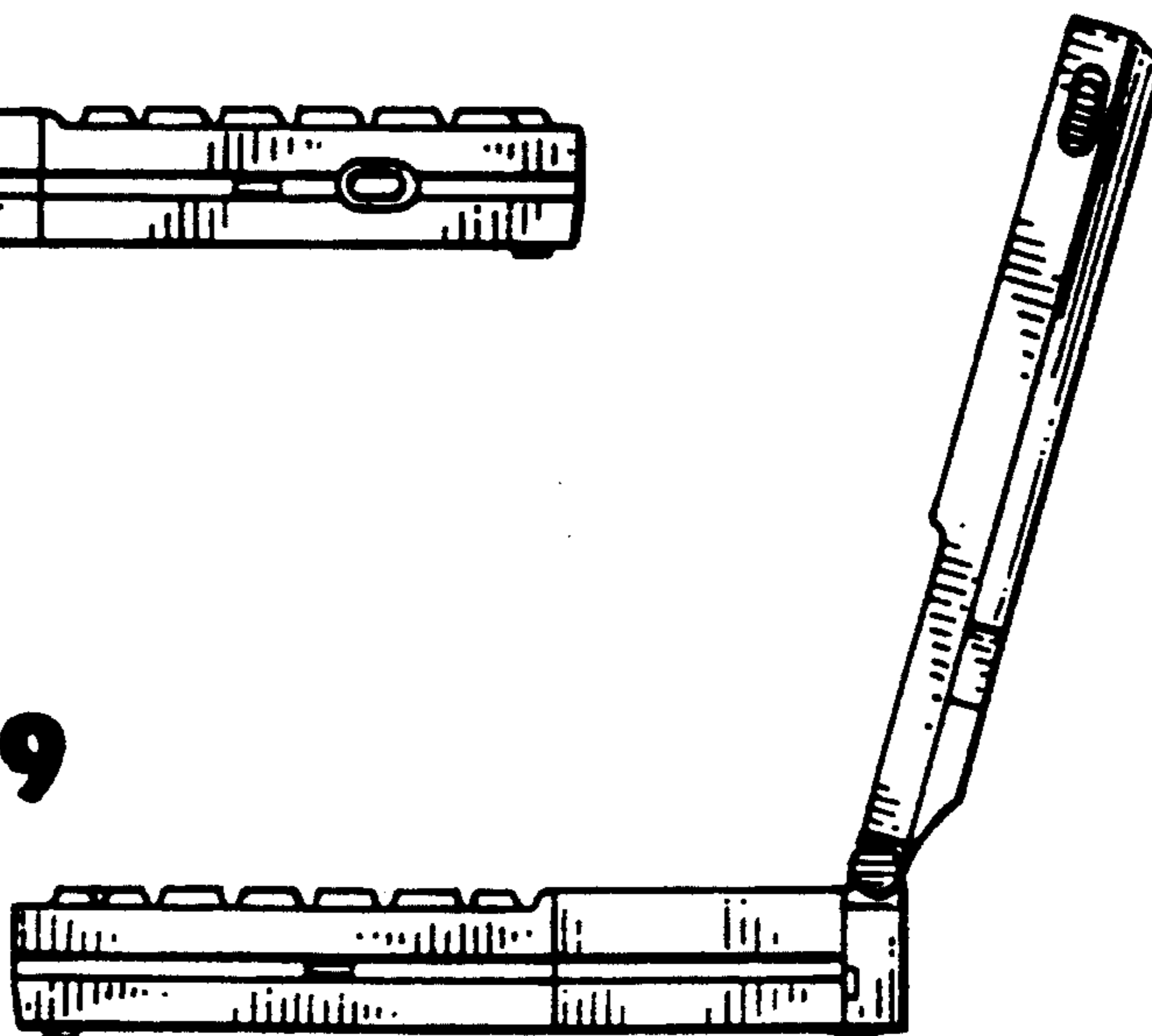


Fig. 8

Fig. 9



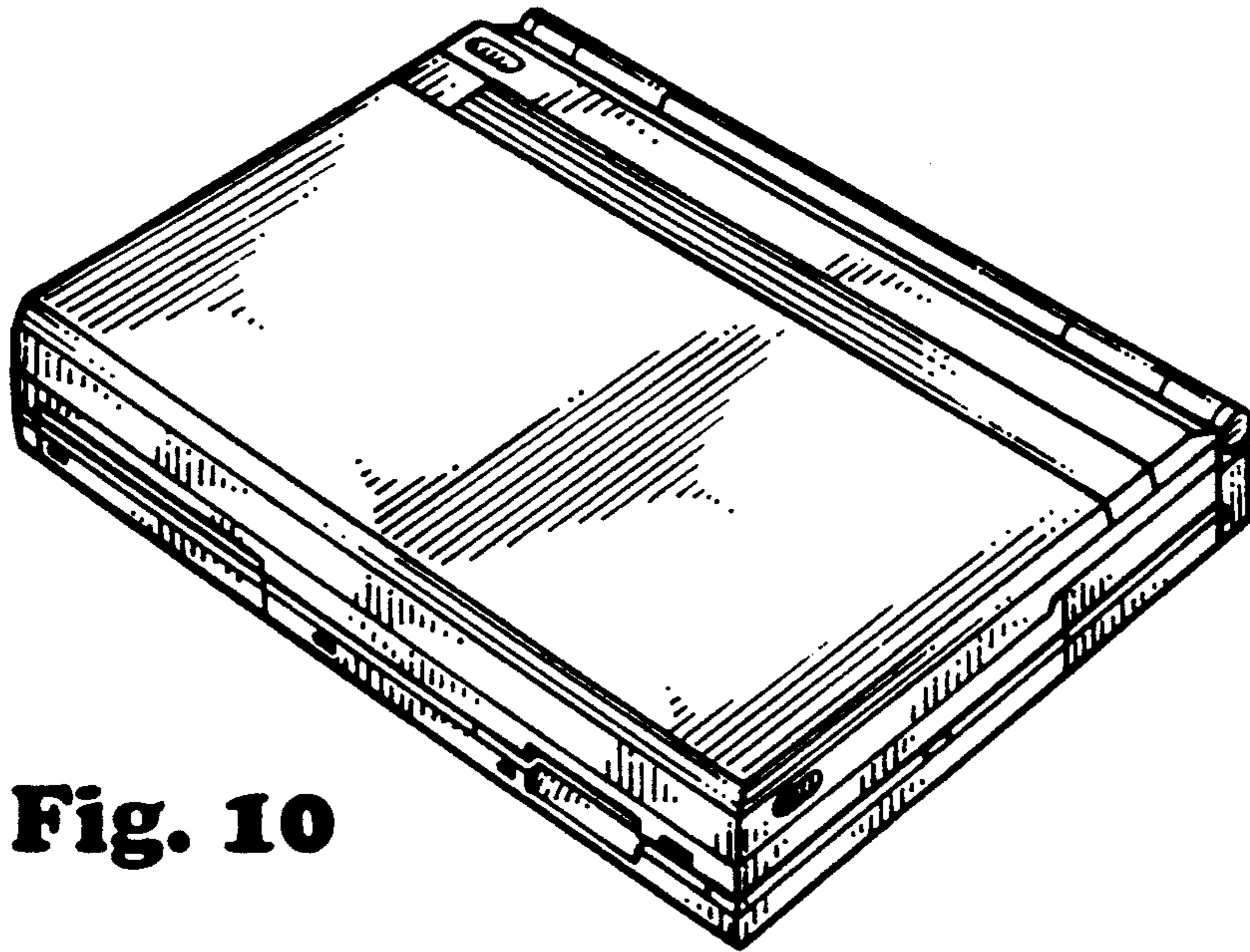


Fig. 10

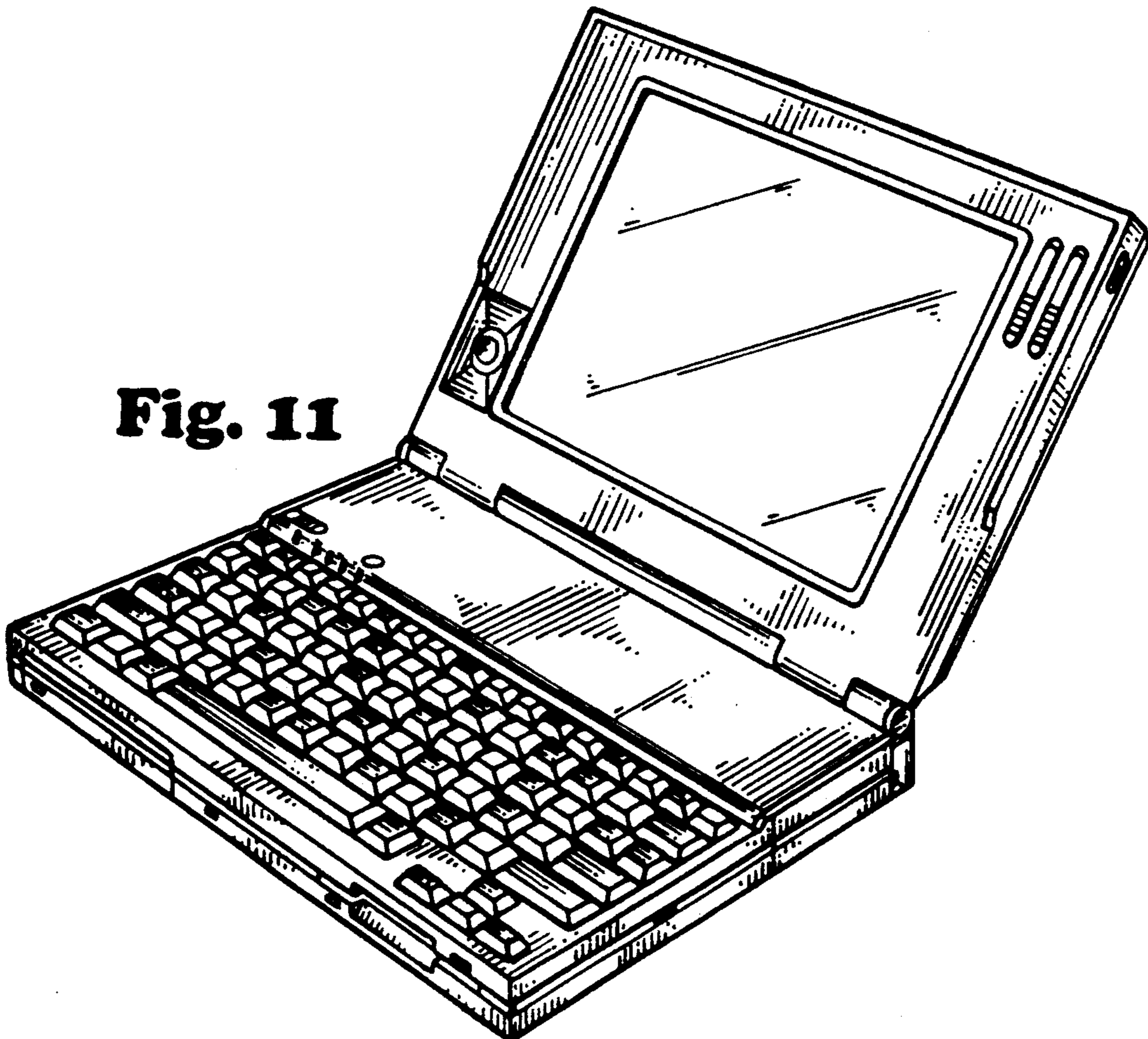


Fig. 11