



US00D34551S

# United States Patent [19]

[11] Patent Number: **Des. 345,551**

Youens et al.

[45] Date of Patent: **\*\* Mar. 29, 1994**

[54] **LAPTOP PERSONAL COMPUTER**

[75] Inventors: **John Youens; Michael V. Leman,**  
both of Spring, Tex.

[73] Assignee: **Compaq Computer Corporation,**  
Houston, Tex.

[\*\*] Term: **14 Years**

[21] Appl. No.: **877,062**

[22] Filed: **May 1, 1992**

[52] U.S. Cl. .... **D14/106**

[58] Field of Search ..... 235/145 A, 145 R;  
340/700, 706; 341/22, 23; 364/708, 709.04;  
361/390, 394; D14/100, 101, 106, 113, 115,  
124-127; D18/1, 7

[56] **References Cited**

**U.S. PATENT DOCUMENTS**

D. 306,433	3/1990	Mitchell	.....	D14/106
D. 308,860	6/1990	Tsukada et al.	.....	D14/106
D. 308,861	6/1990	Tsukada et al.	.....	D14/106
D. 312,450	11/1990	Walters, II	.....	D14/106
D. 317,442	6/1991	Gintz	.....	D14/106
D. 332,782	1/1993	Kikuchi et al.	.....	D14/106
D. 333,299	2/1993	Amber et al.	.....	D14/106

**OTHER PUBLICATIONS**

PC Magazine, Apr. 28, 1992, pp. 7, 15, 26, 27, 90, 152,  
153, 164, 180, 181, 322, 451.

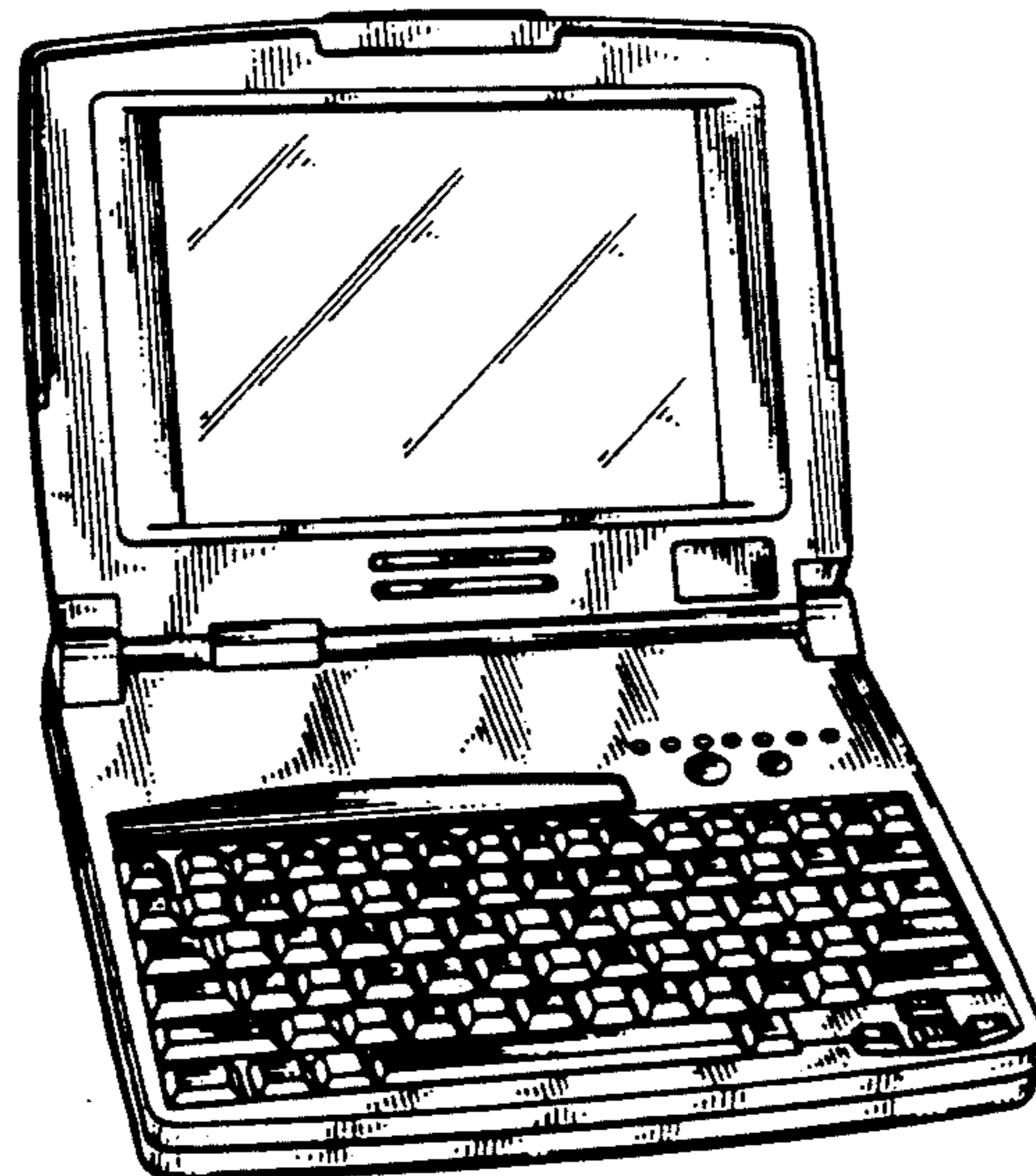
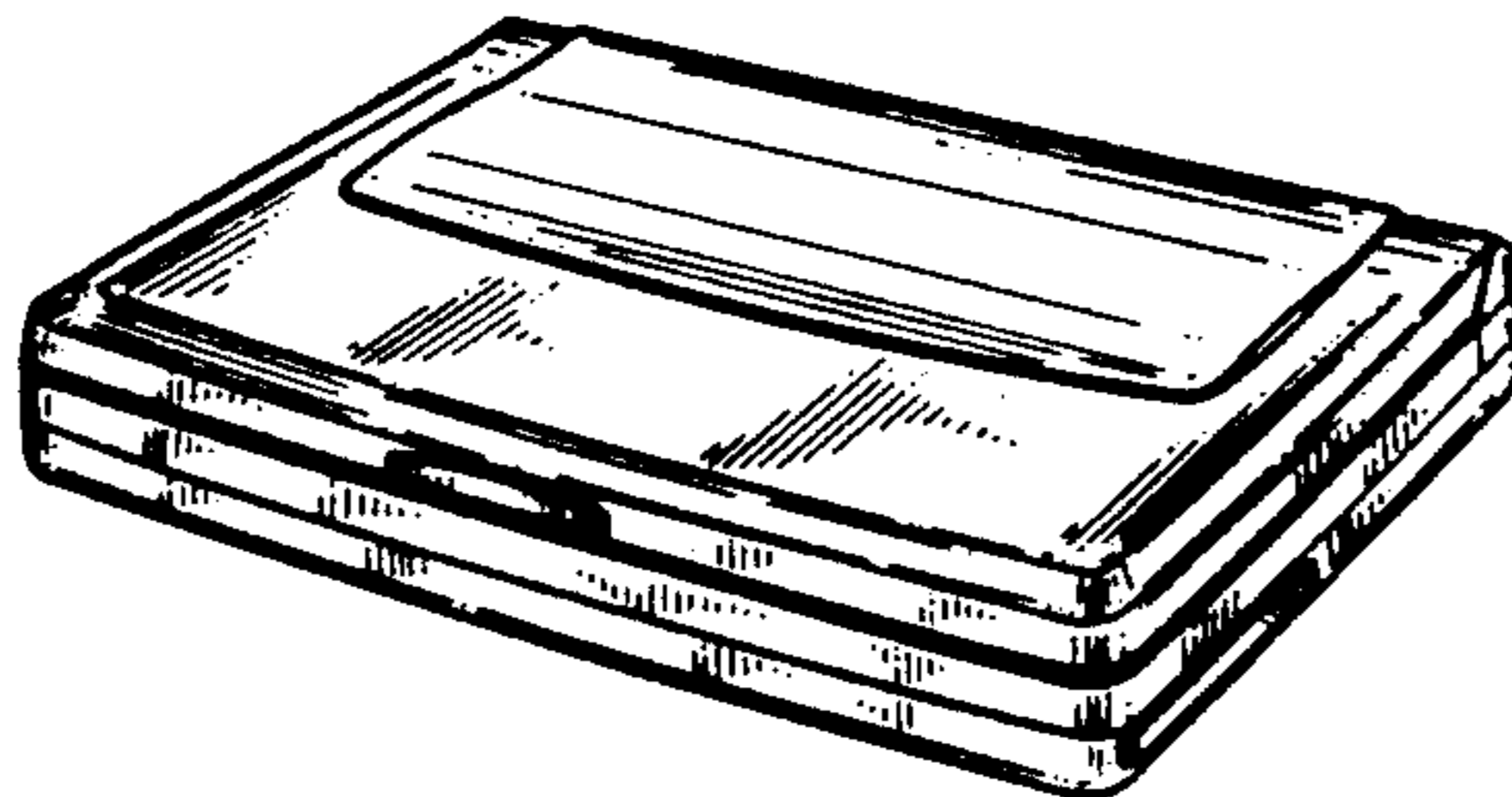
*Primary Examiner*—Wallace R. Burke  
*Assistant Examiner*—Freda S. Nunn  
*Attorney, Agent, or Firm*—James R. Burdett; L. Jon Lindsay

[57] **CLAIM**

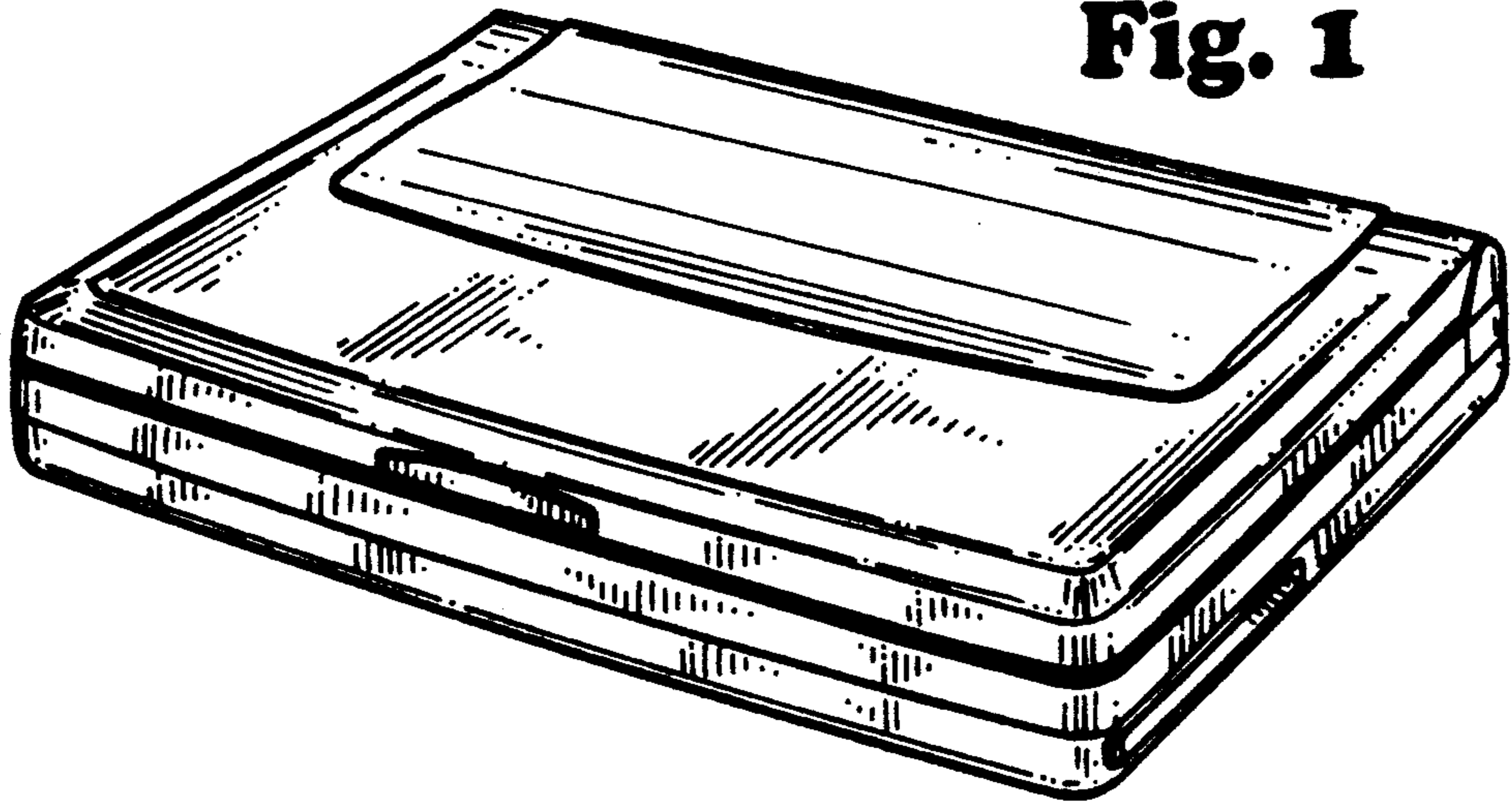
The ornamental design for a laptop personal computer, as shown and described.

**DESCRIPTION**

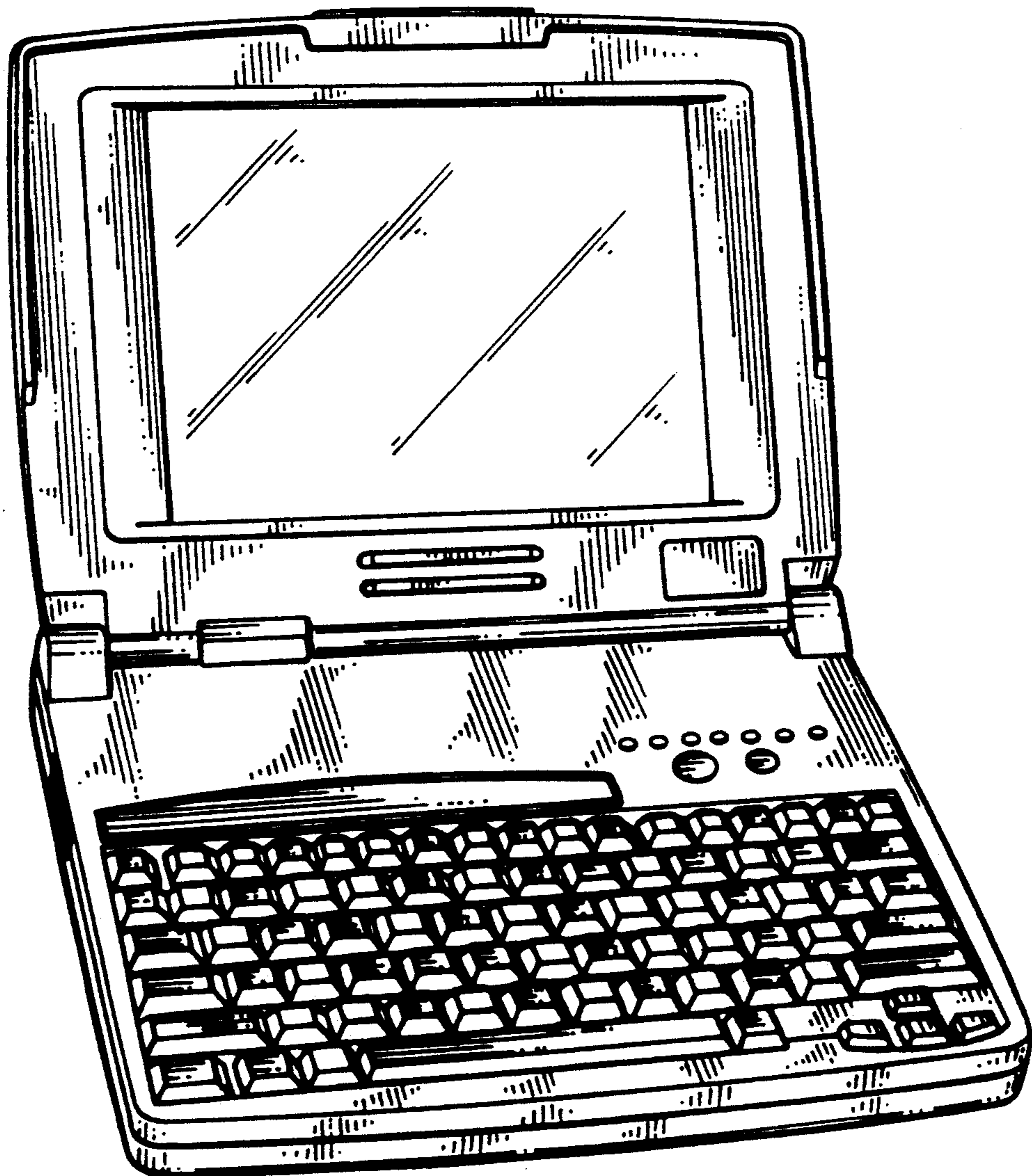
FIG. 1 is a front, top, left side perspective view of a laptop personal computer with the display closed showing our new design;  
FIG. 2 is a front, top, right side perspective view thereof with the display open;  
FIG. 3 is a front elevational view thereof with the display closed;  
FIG. 4 is a top plan view thereof with the display closed;  
FIG. 5 is a rear elevational view thereof with the display closed;  
FIG. 6 is a left side elevational view thereof with the display closed;  
FIG. 7 is a right side elevational view thereof with the display closed;  
FIG. 8 is a left side elevational view thereof with the display open;  
FIG. 9 is a right side elevational view thereof with the display open; and,  
FIG. 10 is a bottom plan view thereof.



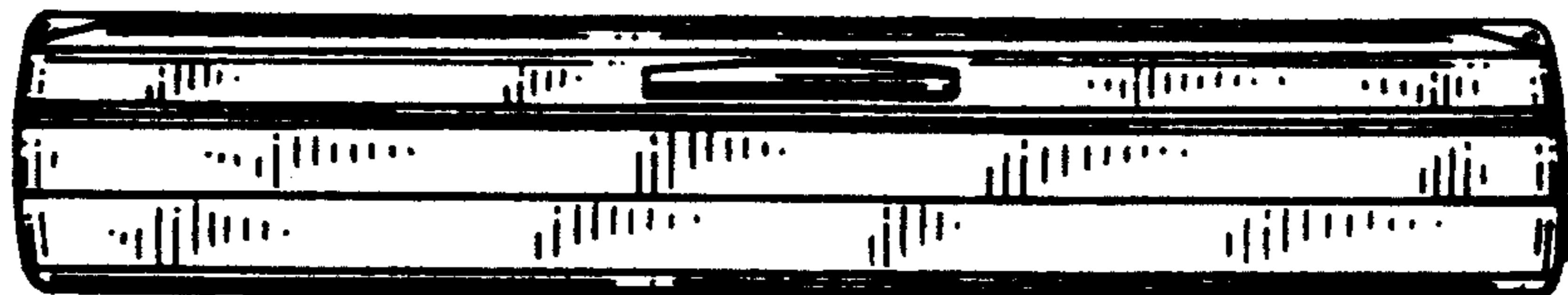
**Fig. 1**



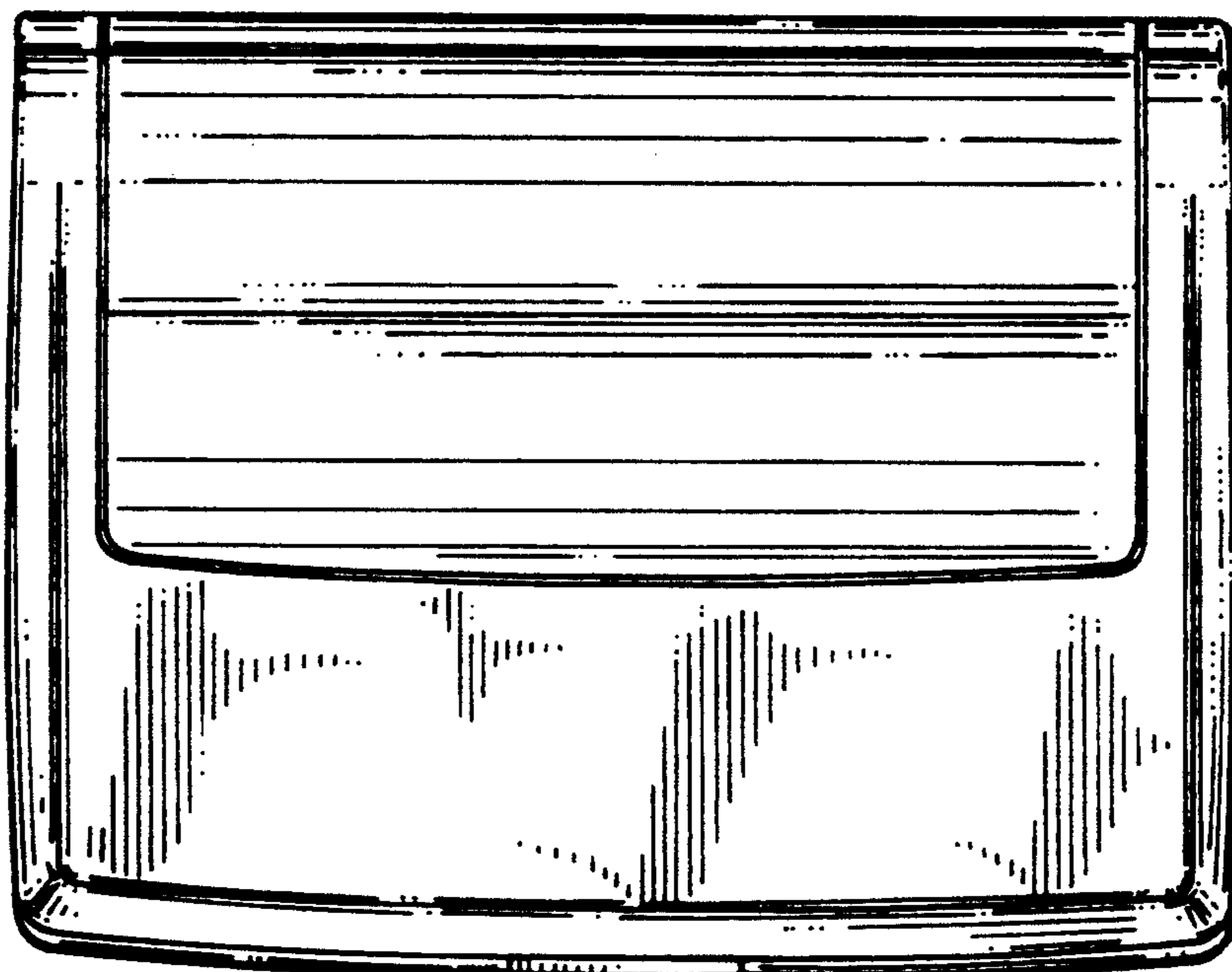
**Fig. 2**



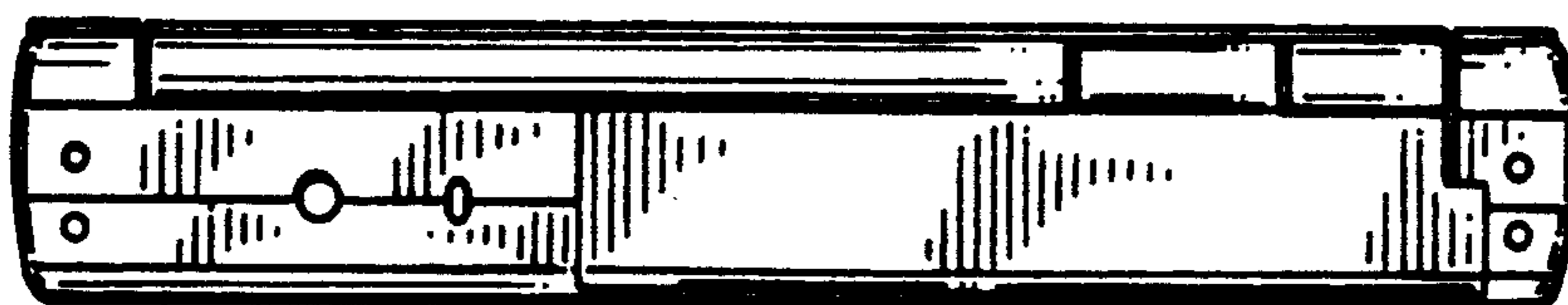
**Fig. 3**



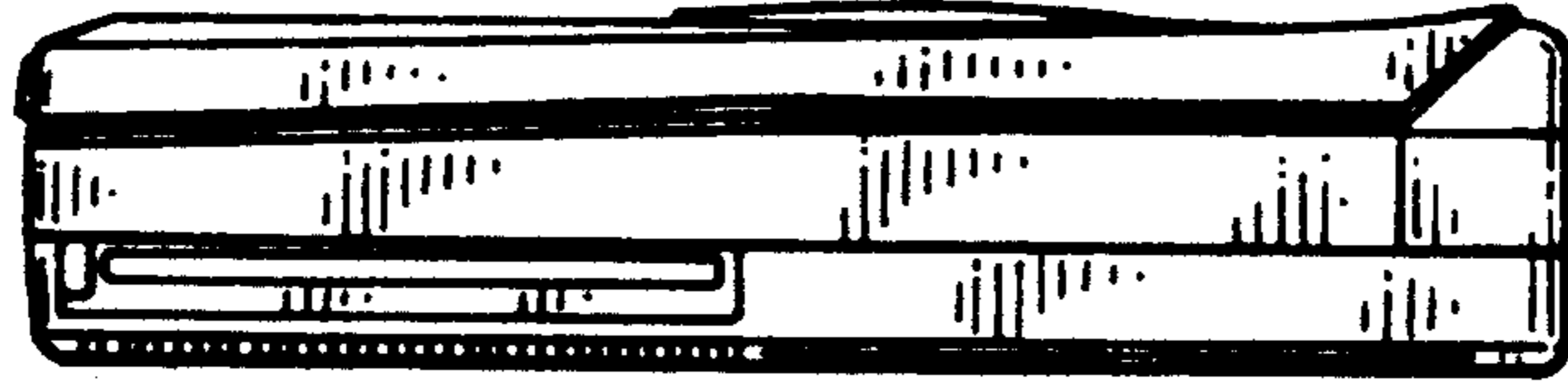
**Fig. 4**



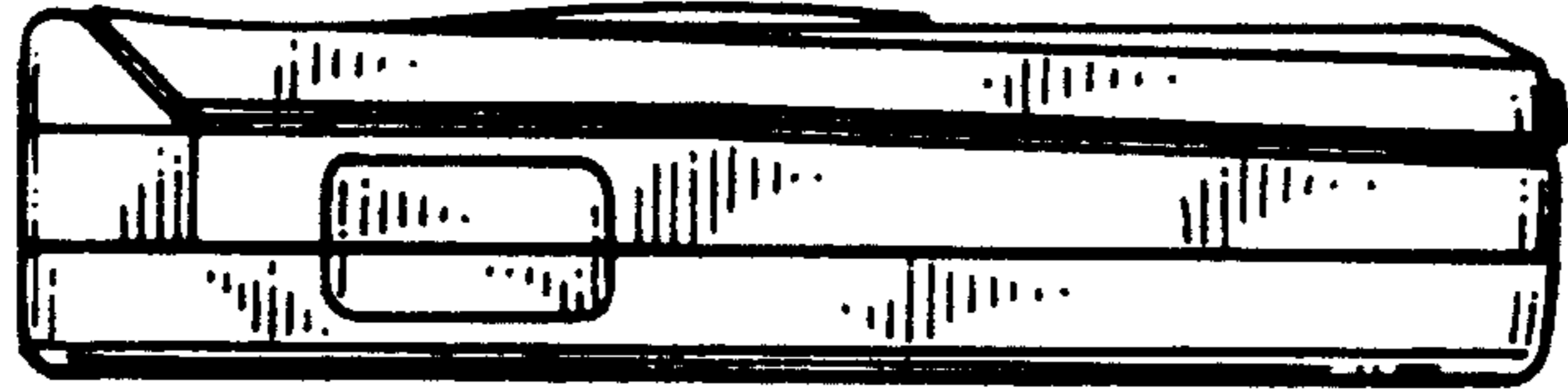
**Fig. 5**



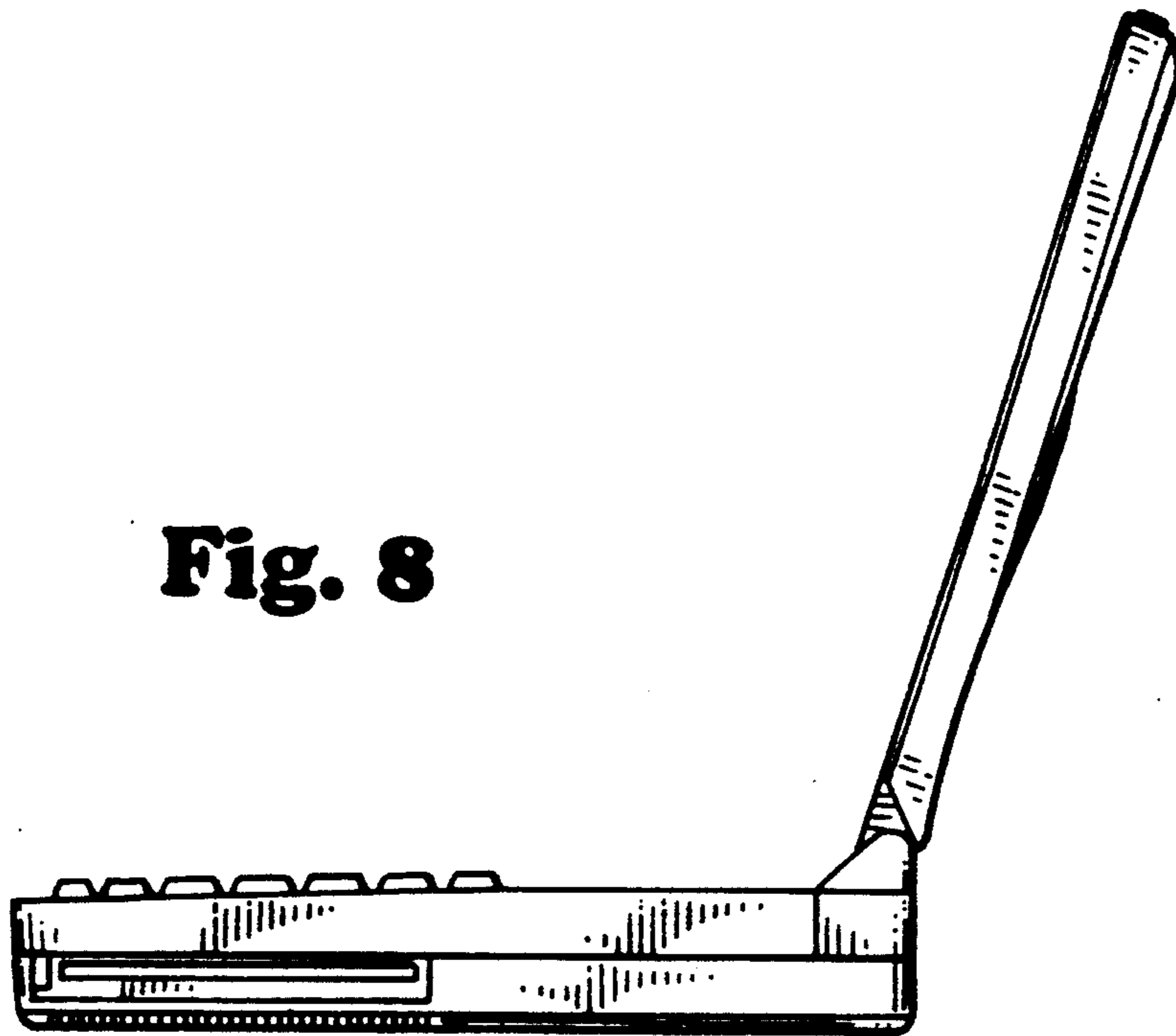
**Fig. 6**

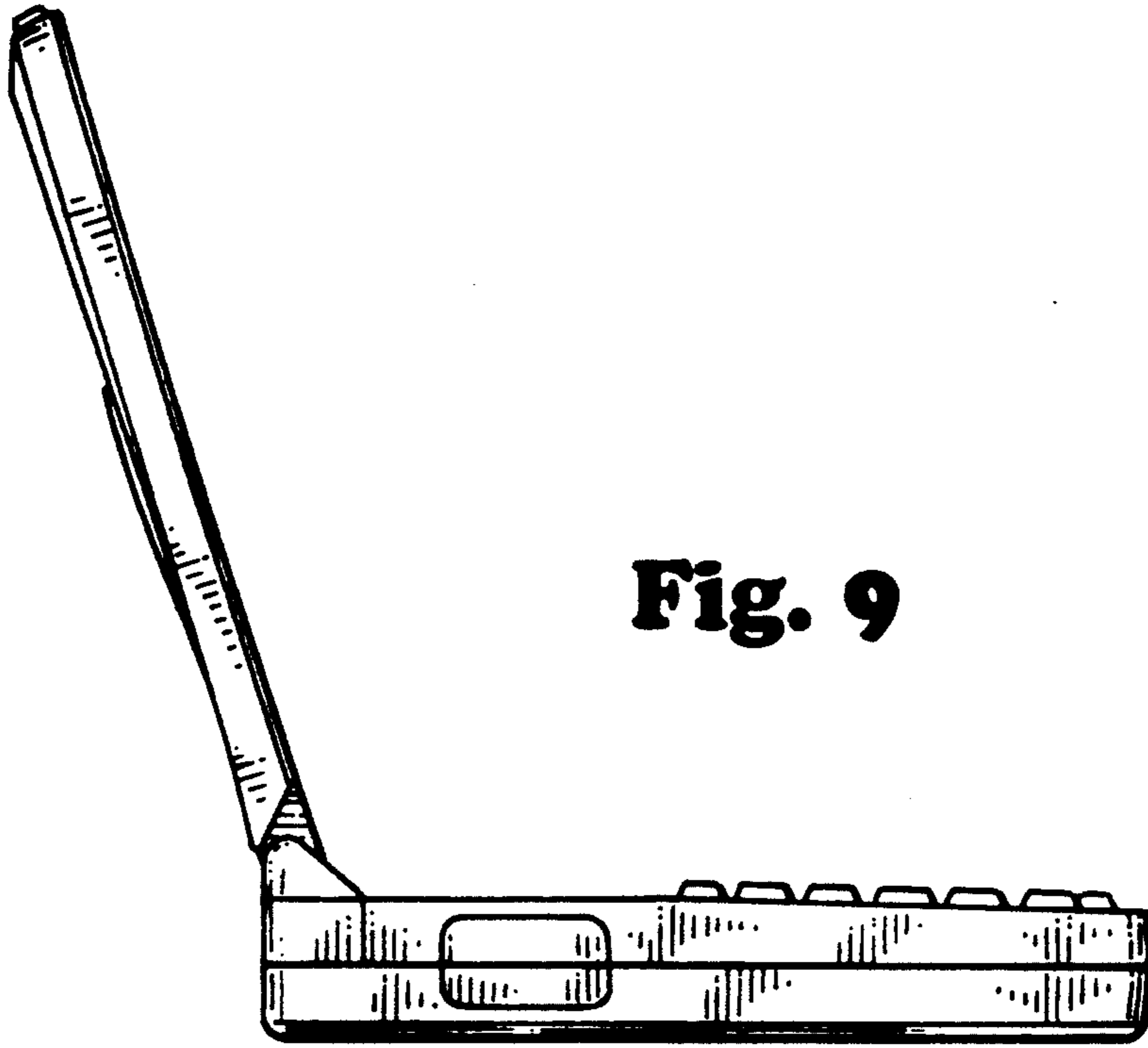


**Fig. 7**



**Fig. 8**





**Fig. 9**

**Fig. 10**

