



US00D345539S

United States Patent [19]

Vaillancourt

[11] Patent Number: **Des. 345,539**

[45] Date of Patent: **** Mar. 29, 1994**

[54] **MAGNETIC TOW HITCH KIT**

[76] Inventor: **Paul J. Vaillancourt**, 226 Williams Rd., Fitchburg, Mass. 01420

[**] Term: **14 Years**

[21] Appl. No.: **692,514**

[22] Filed: **Apr. 29, 1991**

4,953,883 9/1990 Helie 280/477
 4,961,590 10/1990 Davenport 280/477
 5,035,441 7/1991 Murray 280/477

Primary Examiner—Wallace R. Burke
Assistant Examiner—Melody Brown
Attorney, Agent, or Firm—S. Michael Bender

[57] CLAIM

The ornamental design for a magnetic tow hitch kit, as shown.

Related U.S. Application Data

[63] Continuation-in-part of Ser. No. 673,491, Mar. 22, 1991, abandoned.

[52] U.S. Cl. **D12/162**

[58] Field of Search 280/477, 479.1; 53/264; 116/28 R; D12/162

DESCRIPTION

FIG. 1 is a front elevational view of the magnetic tow hitch kit showing my new design;
 FIG. 2 is a rear elevational view thereof;
 FIG. 3 is a left side elevational view thereof;
 FIG. 4 is a right side elevational view thereof;
 FIG. 5 is a top plan view thereof;
 FIG. 6 is a bottom plan view thereof; and,
 FIG. 7 is a perspective view thereof, it being understood that the broken lines are for illustrative purposes only and forms no part of the claimed design.

[56] References Cited

U.S. PATENT DOCUMENTS

D. 279,092 6/1985 Snaper D12/162
 4,621,432 11/1986 Law 280/477
 4,666,176 5/1987 Sand 280/477

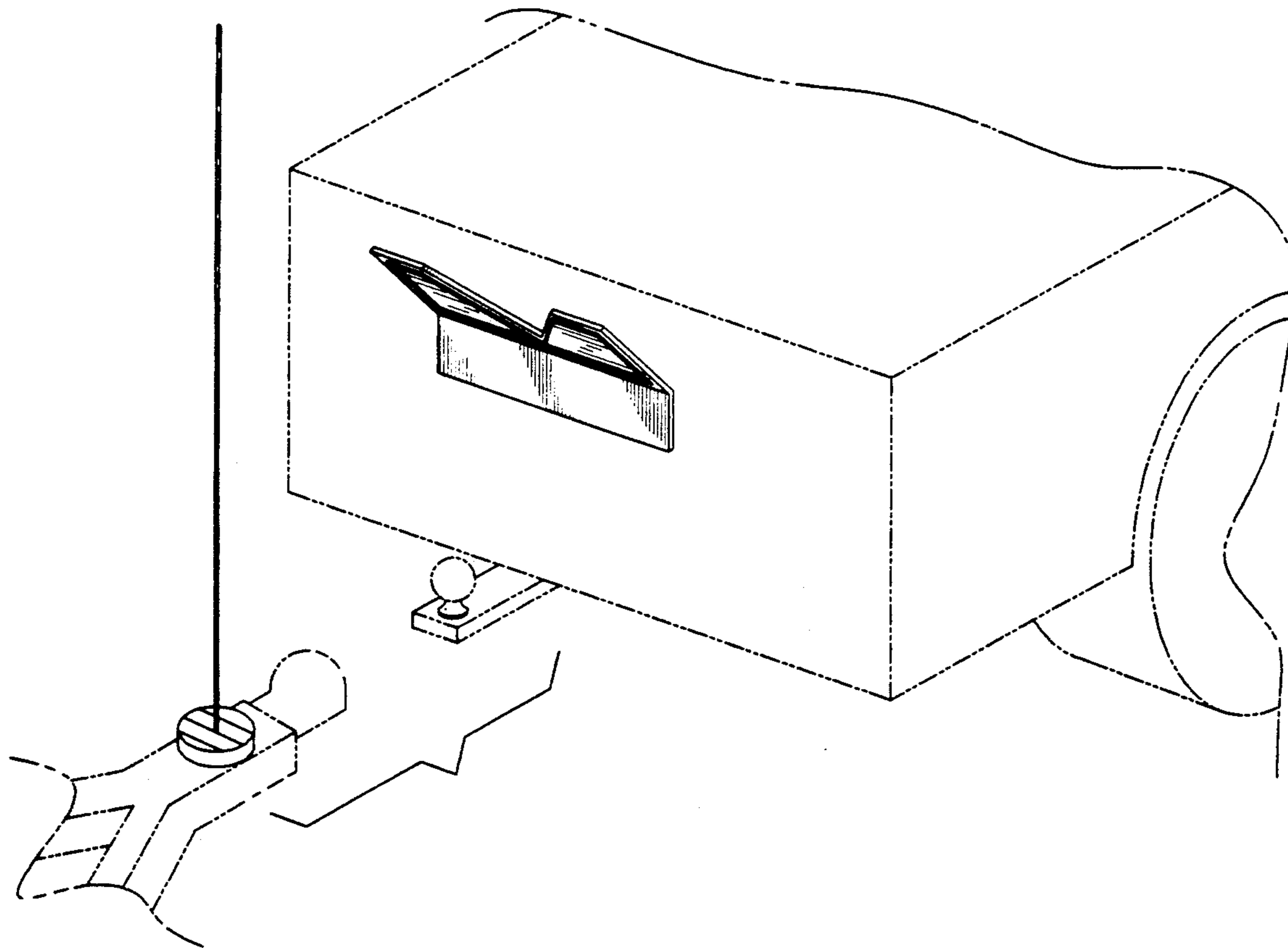


FIG. 1

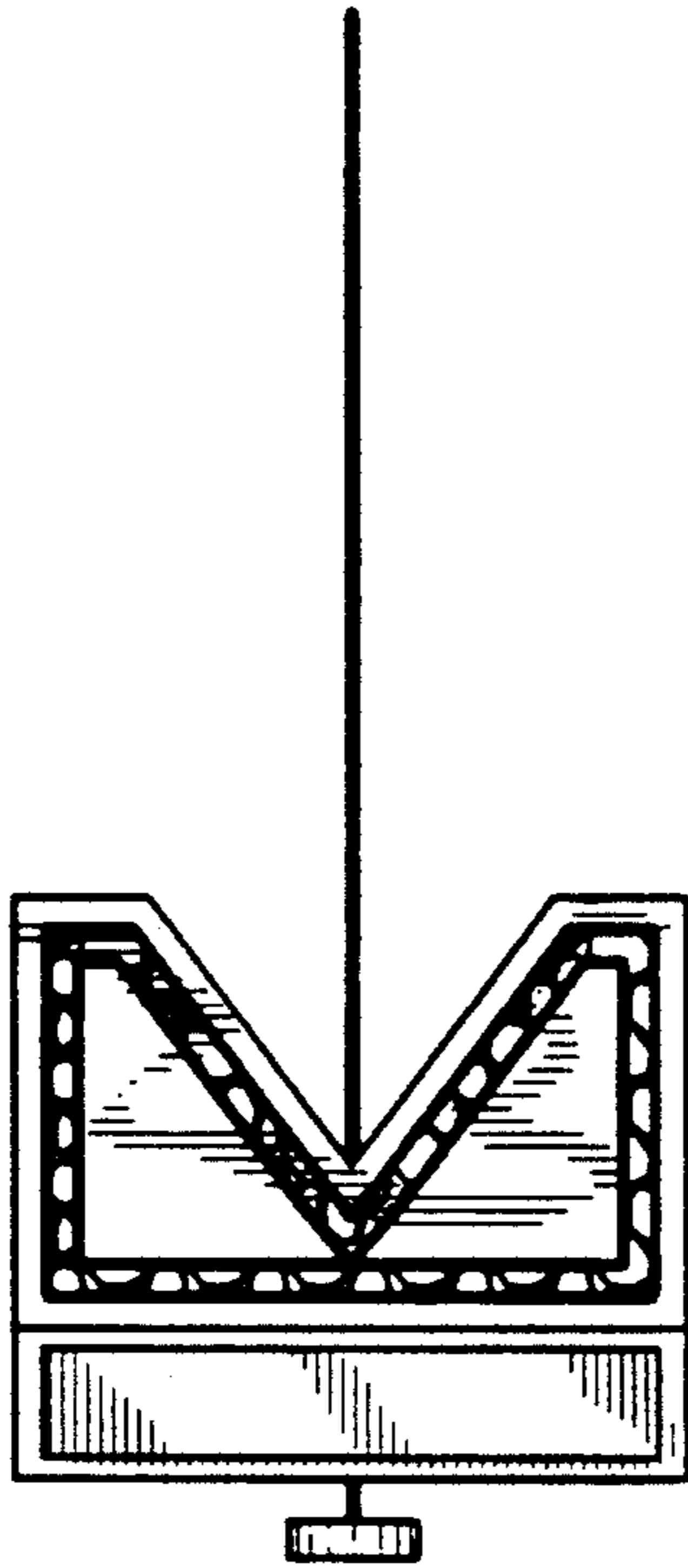


FIG. 2

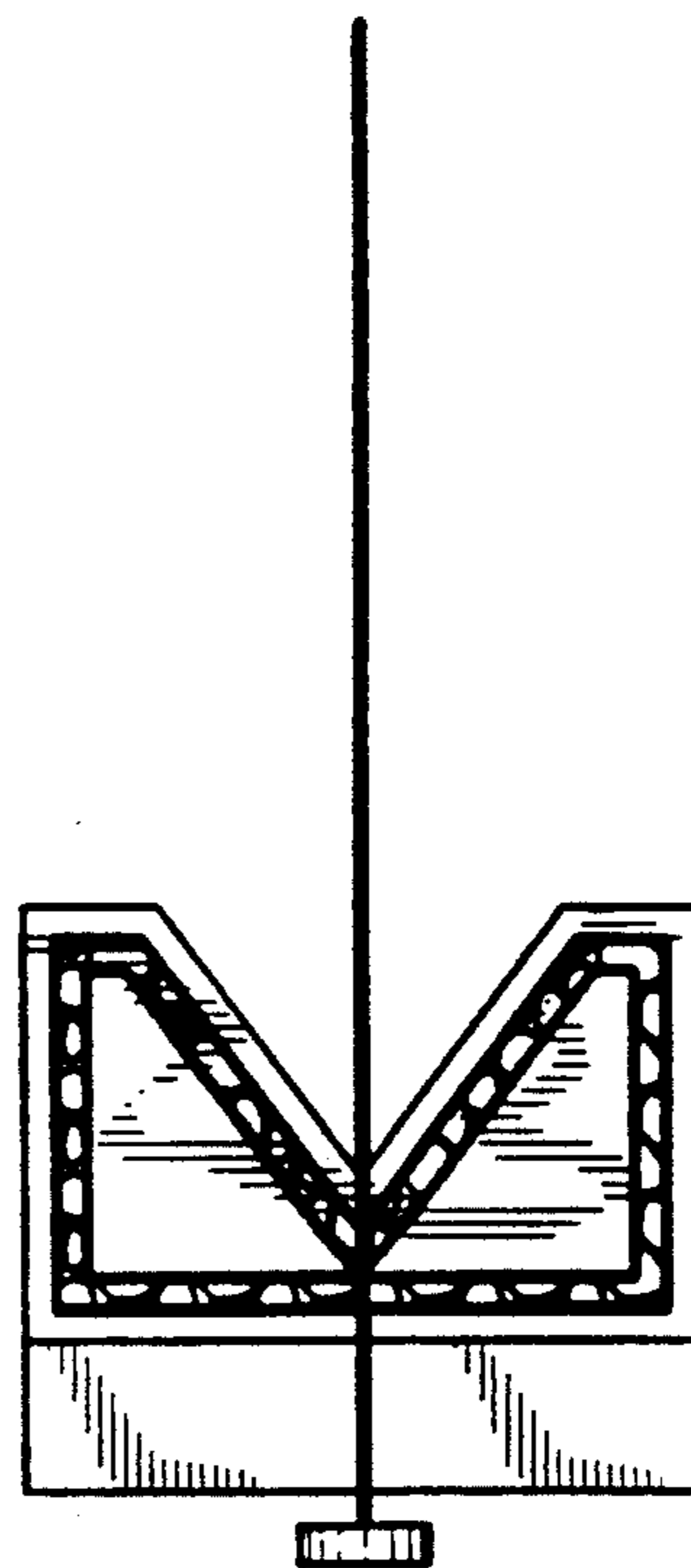


FIG. 3

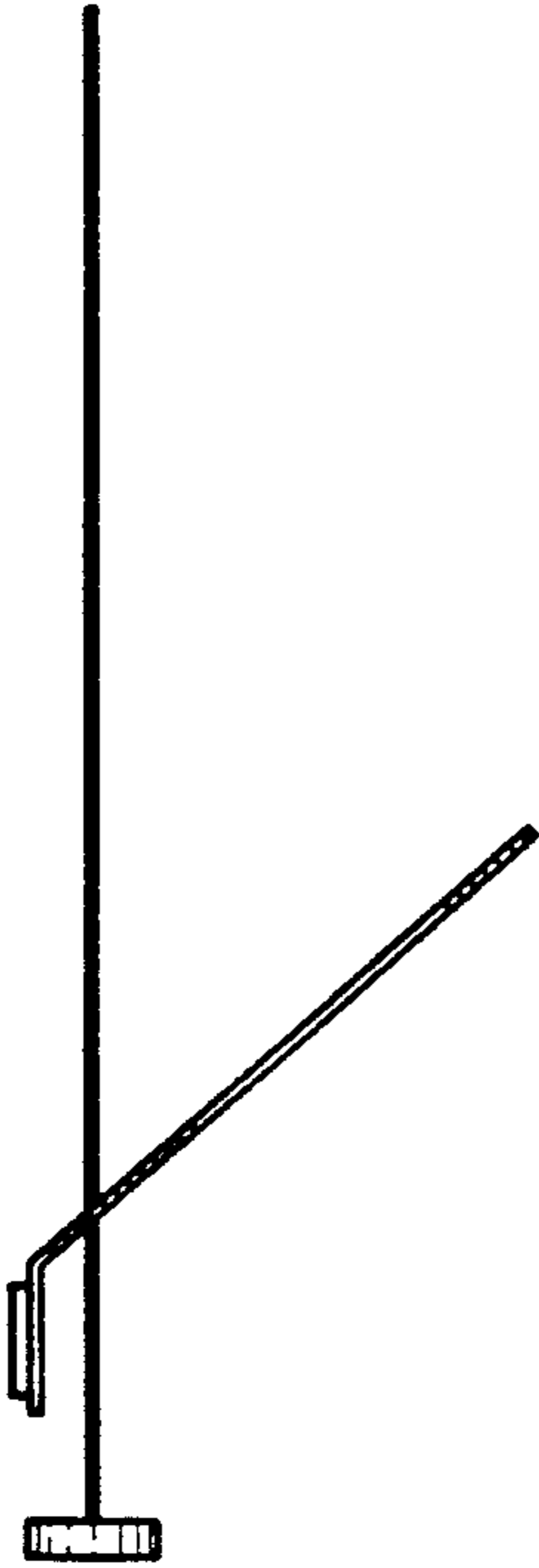


FIG. 4

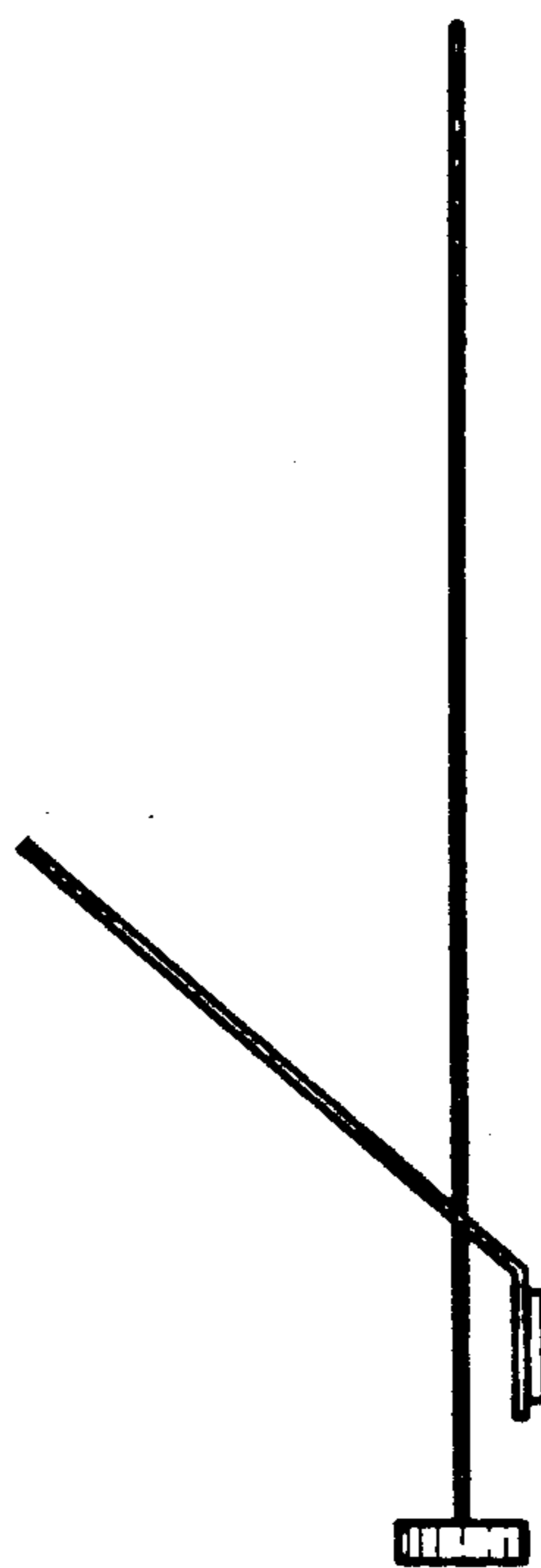


FIG. 5

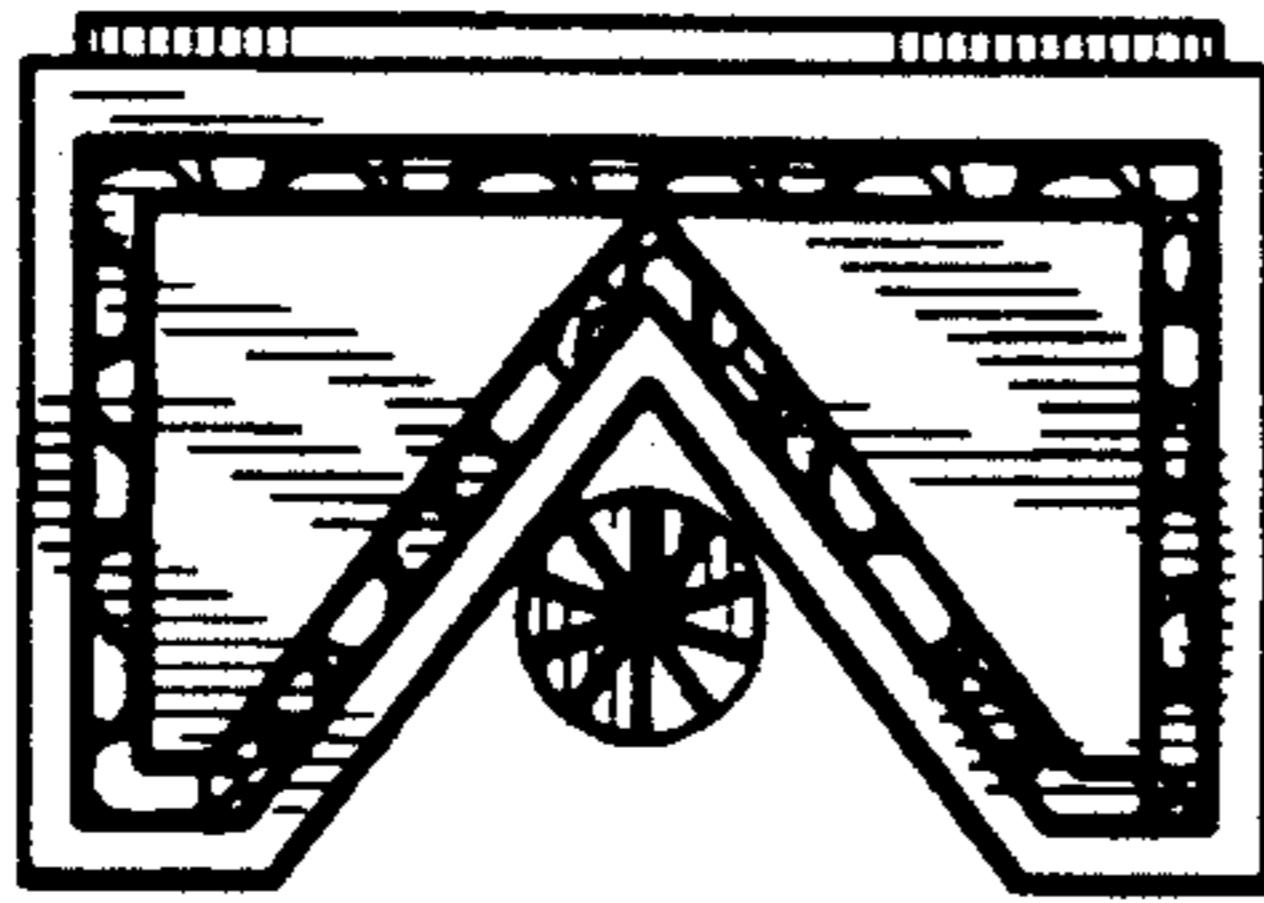
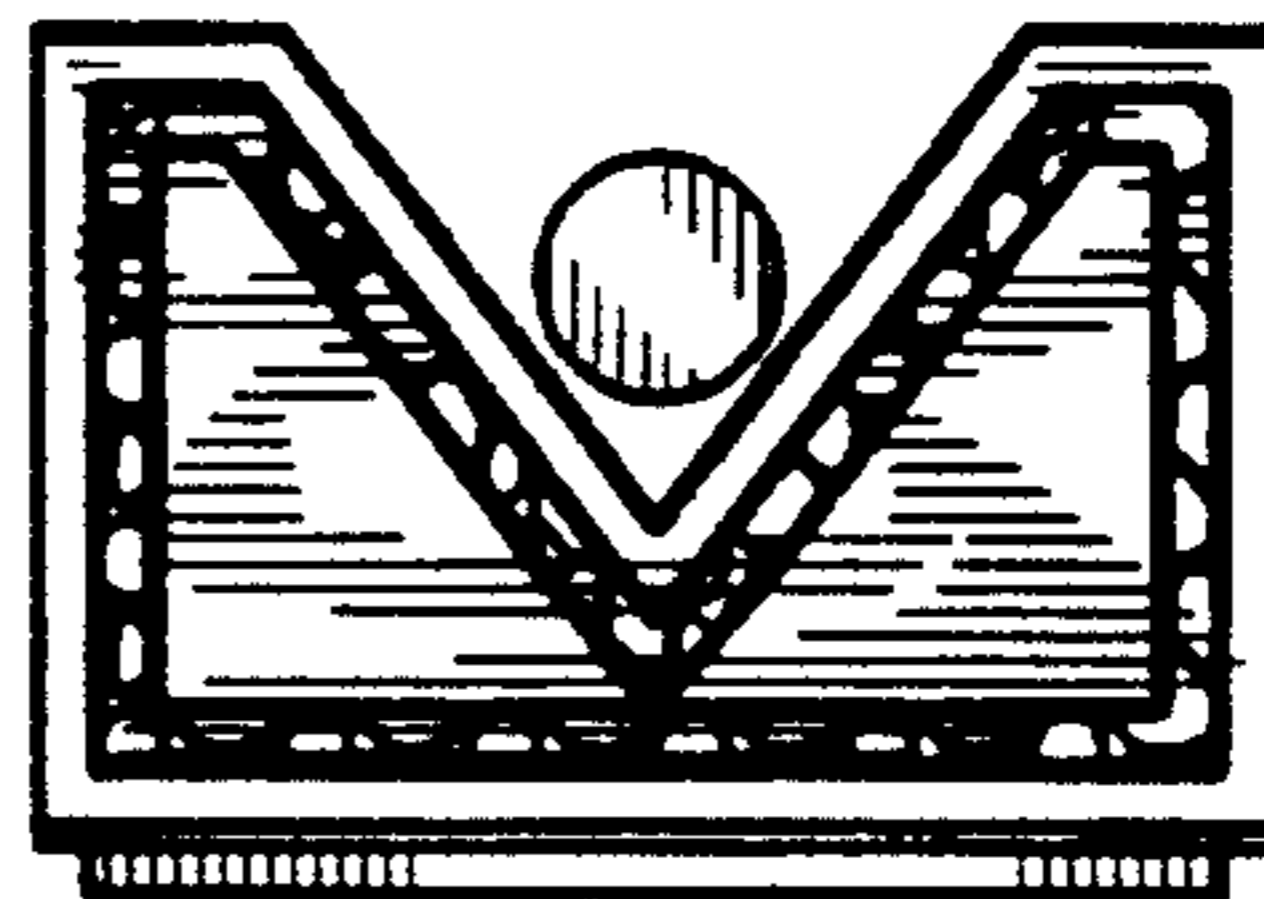


FIG. 6



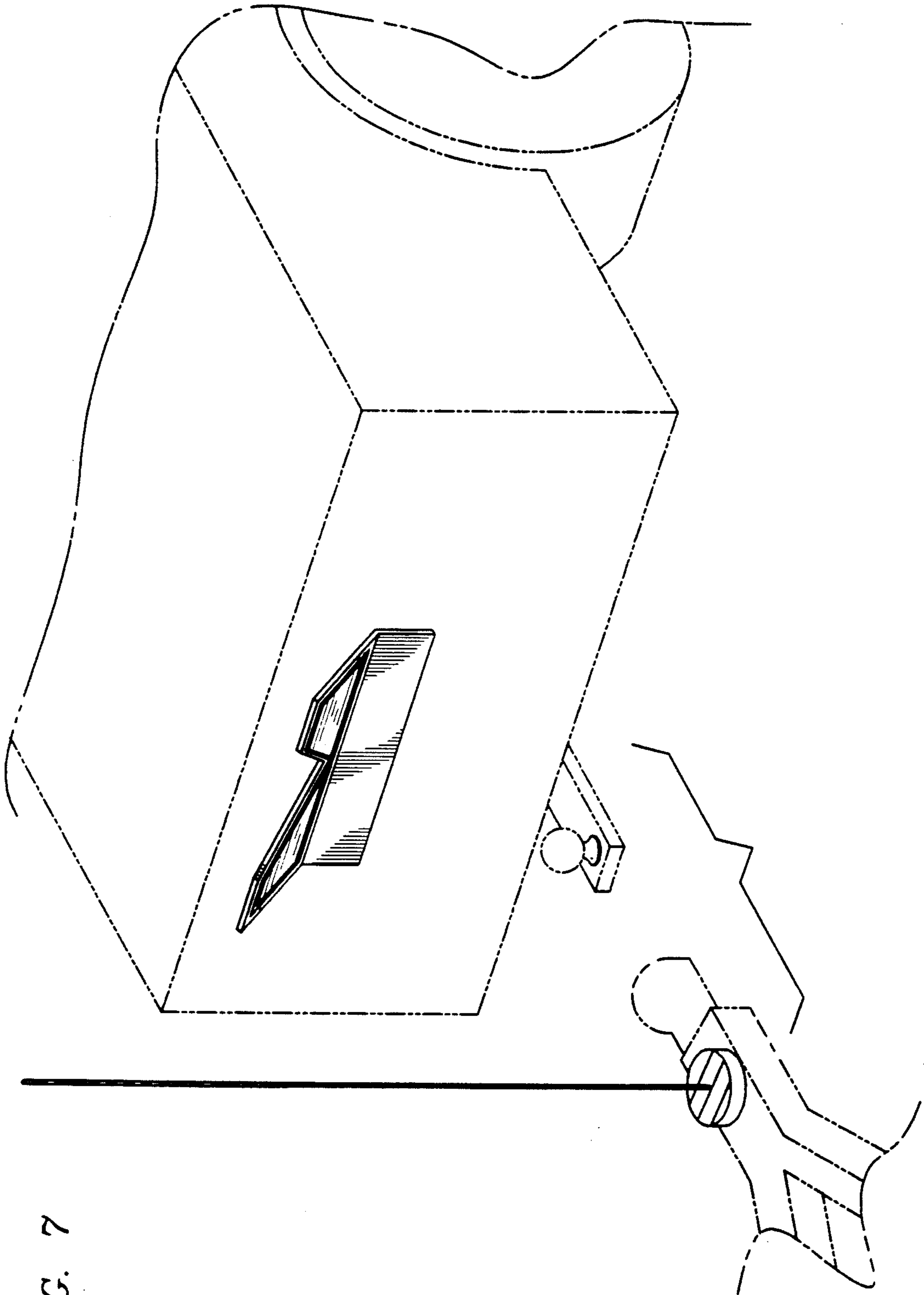


FIG. 7