



US00D345512S

United States Patent [19]

[11] Patent Number: **Des. 345,512**

Gaenzle

[45] Date of Patent: **** Mar. 29, 1994**

[54] **GOLF BALL GAUGE**

[76] Inventor: **Reinhard Gaenzle, 408 N. Oleander Dr., Schaumburg, Ill. 60193**

[**] Term: **14 Years**

[21] Appl. No.: **893,358**

[22] Filed: **Jun. 5, 1992**

[52] U.S. Cl. **D10/64**

[58] Field of Search **D8/14, 16, 19, 45, 90; 33/15 P, 483, 485, 501.45, 524, 525, 555.1, 563; D10/64, 65, 83; D25/113**

[56] **References Cited**

U.S. PATENT DOCUMENTS

D. 108,244 2/1938 Michener D10/64
D. 138,592 8/1944 Gillette D10/68

D. 147,743 10/1947 Cambron D10/64
D. 249,655 9/1978 Gullaksen et al. D10/64
D. 283,109 3/1986 Röshoff D10/83 X
3,643,336 2/1972 Henry 33/363
5,056,228 10/1991 Yamamoto et al. 33/563 X

Primary Examiner—Nelson C. Holtje
Assistant Examiner—Antoine D. Davis
Attorney, Agent, or Firm—Lockwood, Alex, FitzGibbon & Cummings

[57] **CLAIM**

The ornamental design for a golf ball gauge, as shown.

DESCRIPTION

FIG. 1 is a top perspective view of the golf ball gauge embodying the present invention;
FIG. 2 is a top plan view;
FIG. 3 is a side elevational view; and,
FIG. 4 is a side elevational view taken at 90° to FIG. 2.

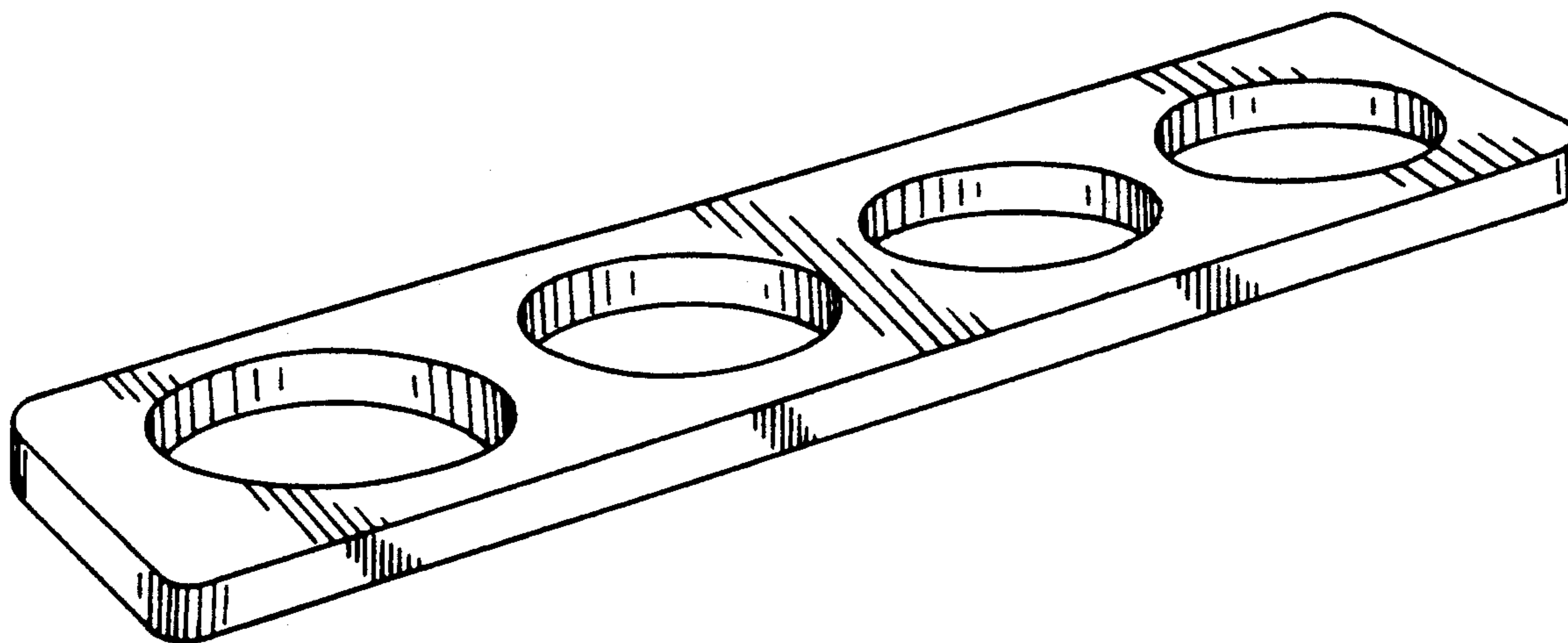


FIG. 1

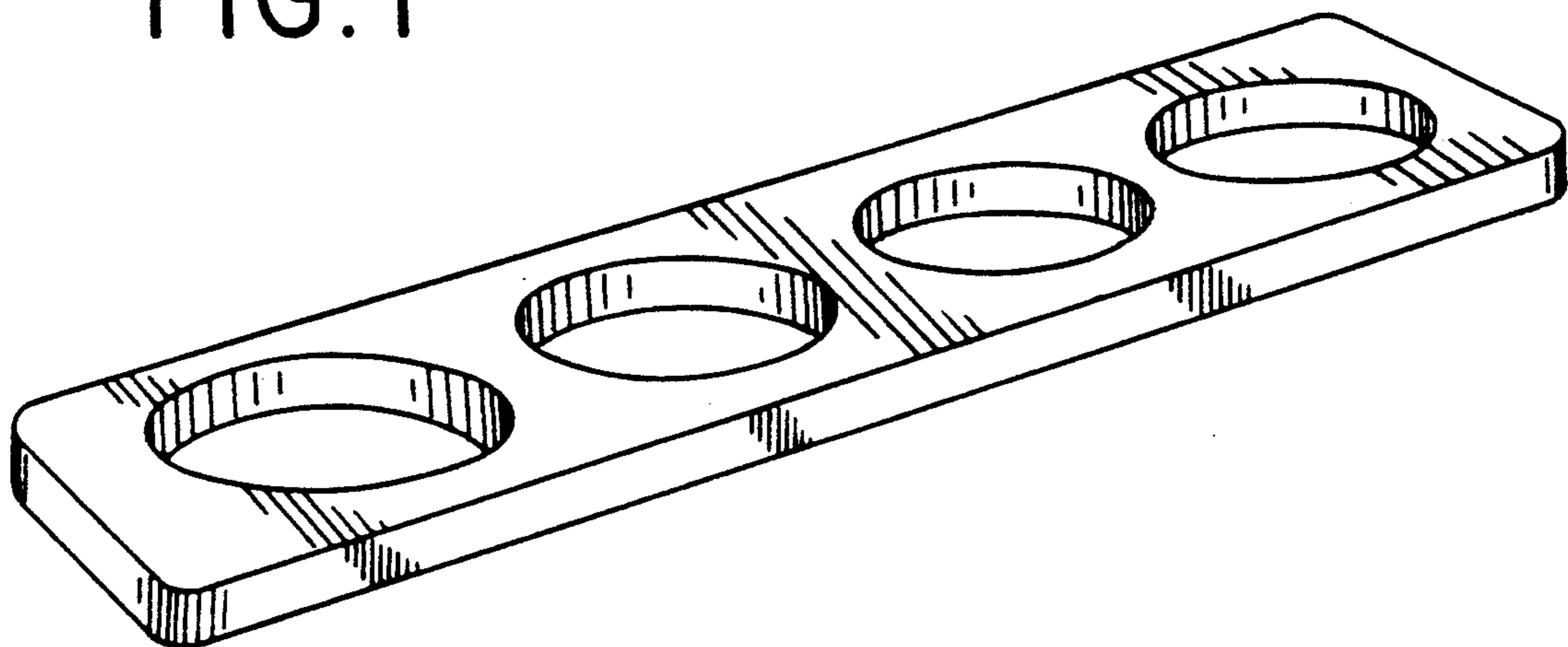


FIG. 2

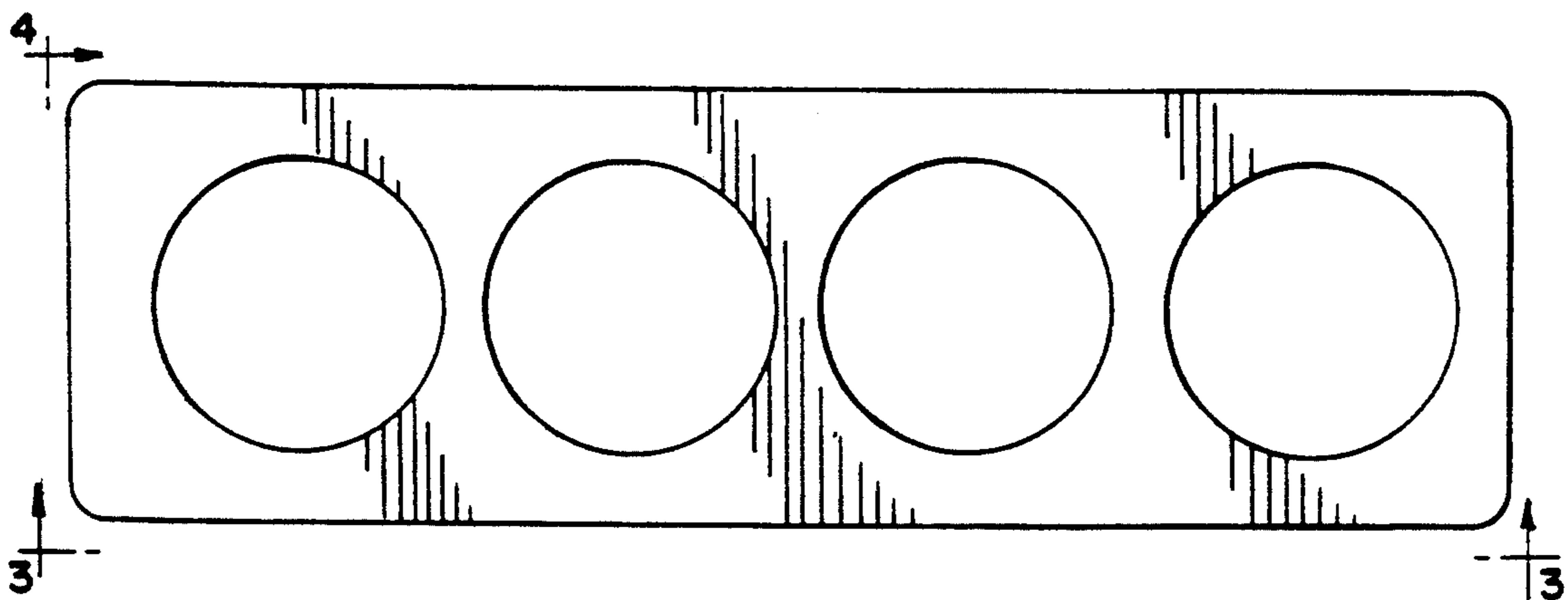


FIG. 3



FIG. 4

