



US00D345499S

# United States Patent [19]

[11] Patent Number: **Des. 345,499**

**Padilla**

[45] Date of Patent: **\*\* Mar. 29, 1994**

## [54] COVER FOR A SHELVING UNIT

[76] Inventor: **Eduardo Padilla**, 611 E. Blanchard St., El Paso, Tex. 79902

[\*\*] Term: **14 Years**

[21] Appl. No.: **739,868**

[22] Filed: **Aug. 2, 1991**

[52] U.S. Cl. .... **D8/381**

[58] Field of Search ..... **D8/381; D6/610; 248/243, 250, 235; 211/193**

## [56] References Cited

### U.S. PATENT DOCUMENTS

D. 323,452	1/1992	Stumpf et al. ....	D8/381
3,707,273	12/1972	Bortz .....	248/235
4,431,155	2/1984	Engel .....	248/243
5,004,201	4/1991	Bessinger .....	248/243

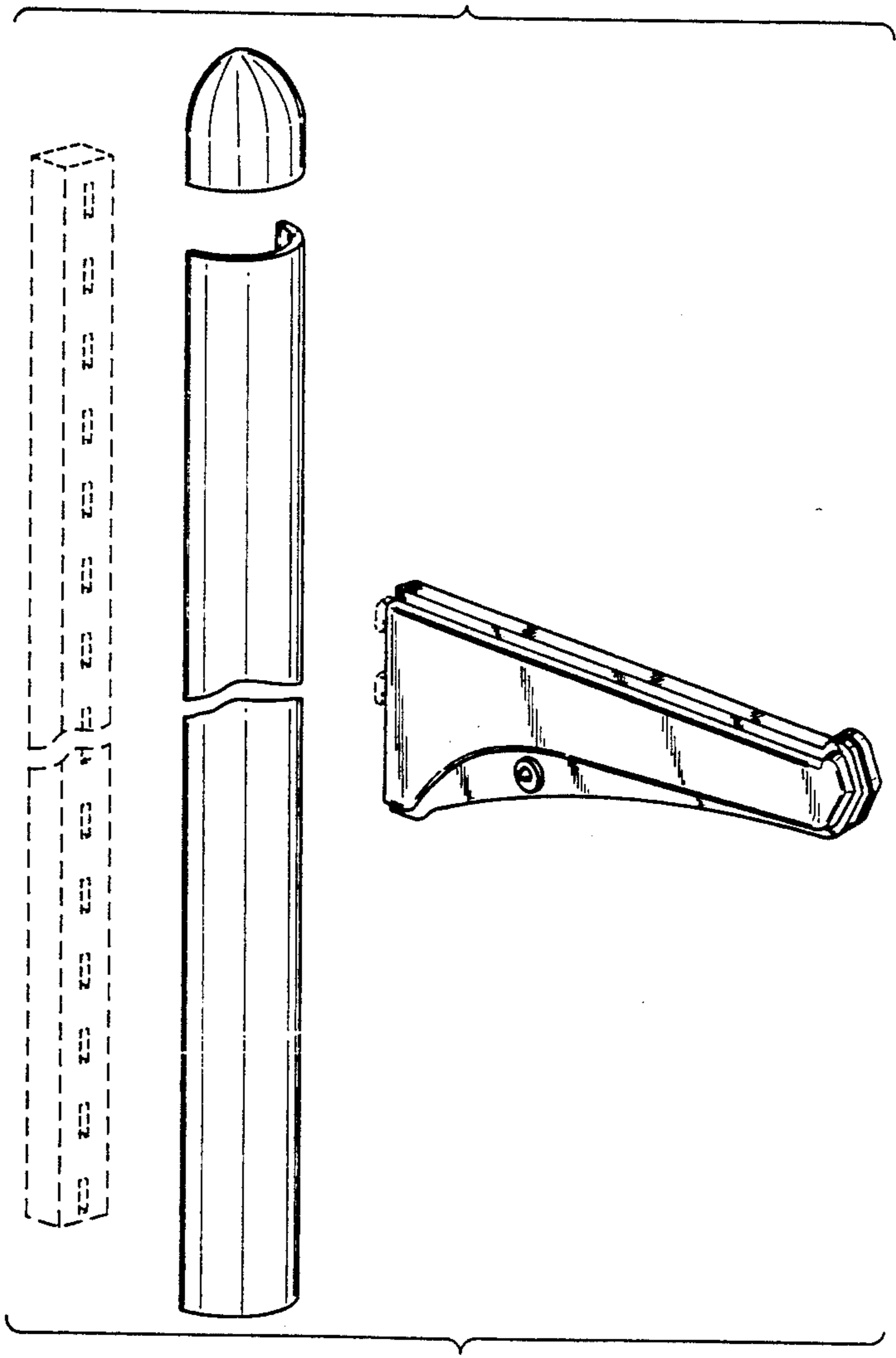
*Primary Examiner*—Wallace R. Burke  
*Assistant Examiner*—H. Baynham  
*Attorney, Agent, or Firm*—Rosenblatt & Associates

## [57] CLAIM

The ornamental design for a cover for a shelving unit, as shown and described.

## DESCRIPTION

FIG. 1 is an exploded perspective view of a cover for a shelving unit showing my new design; FIG. 2 is a top plan view of the bracket cover detached from the unit and in an opened position; FIG. 3 is a bottom plan view thereof; FIG. 4 is a left end view thereof; FIG. 5 is a top plan view of the bracket cover in a closed position; FIG. 6 is a left end view thereof; and, FIG. 7 is a bottom plan view thereof. The broken line showing of a standard and a bracket is for illustrative purposes only and forms no part of the claimed design. The bracket cover is shown detached from the unit in the remaining views for ease of illustration. The cover for the standard is shown broken away to indicate indeterminate length.



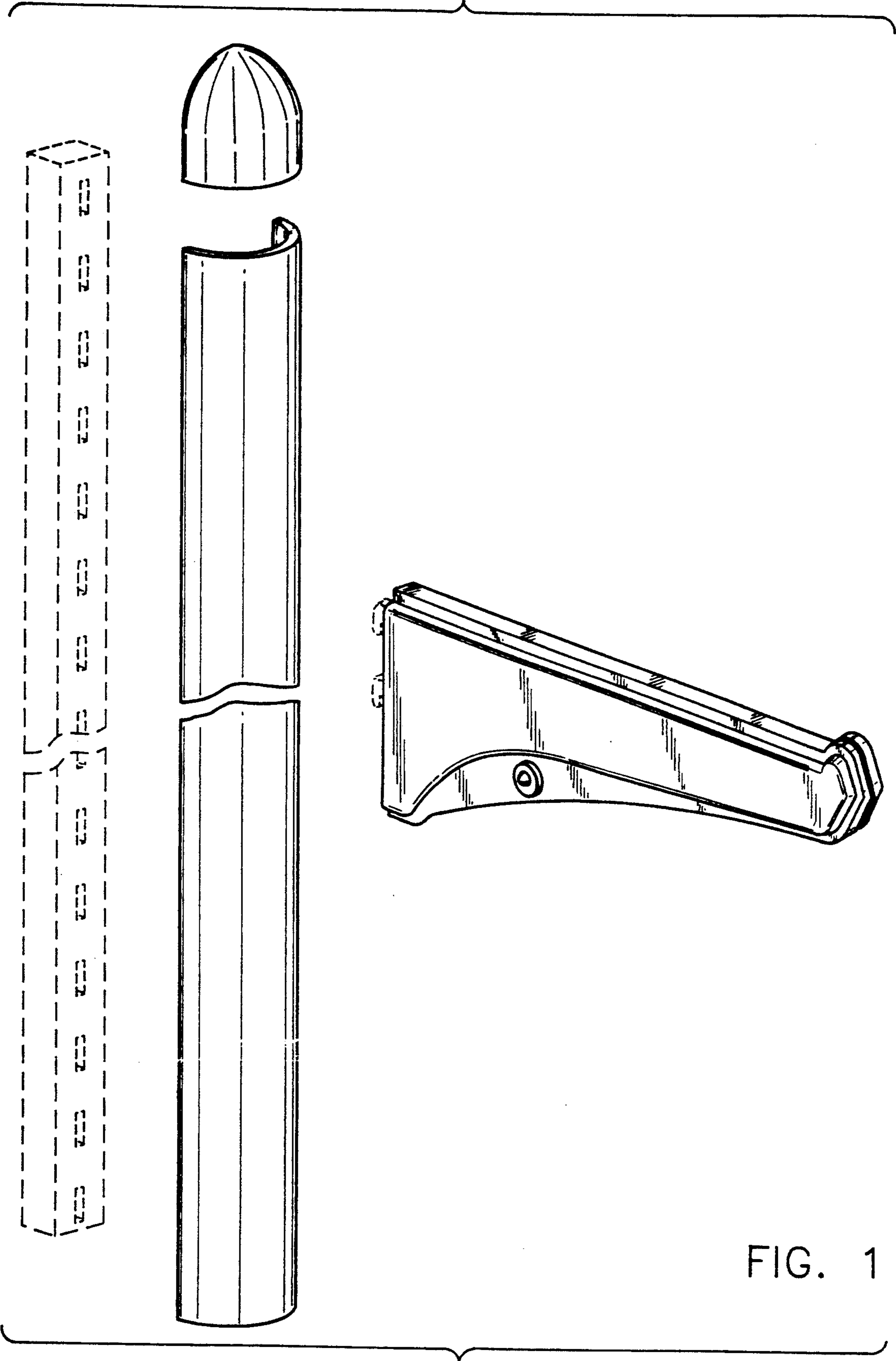


FIG. 1

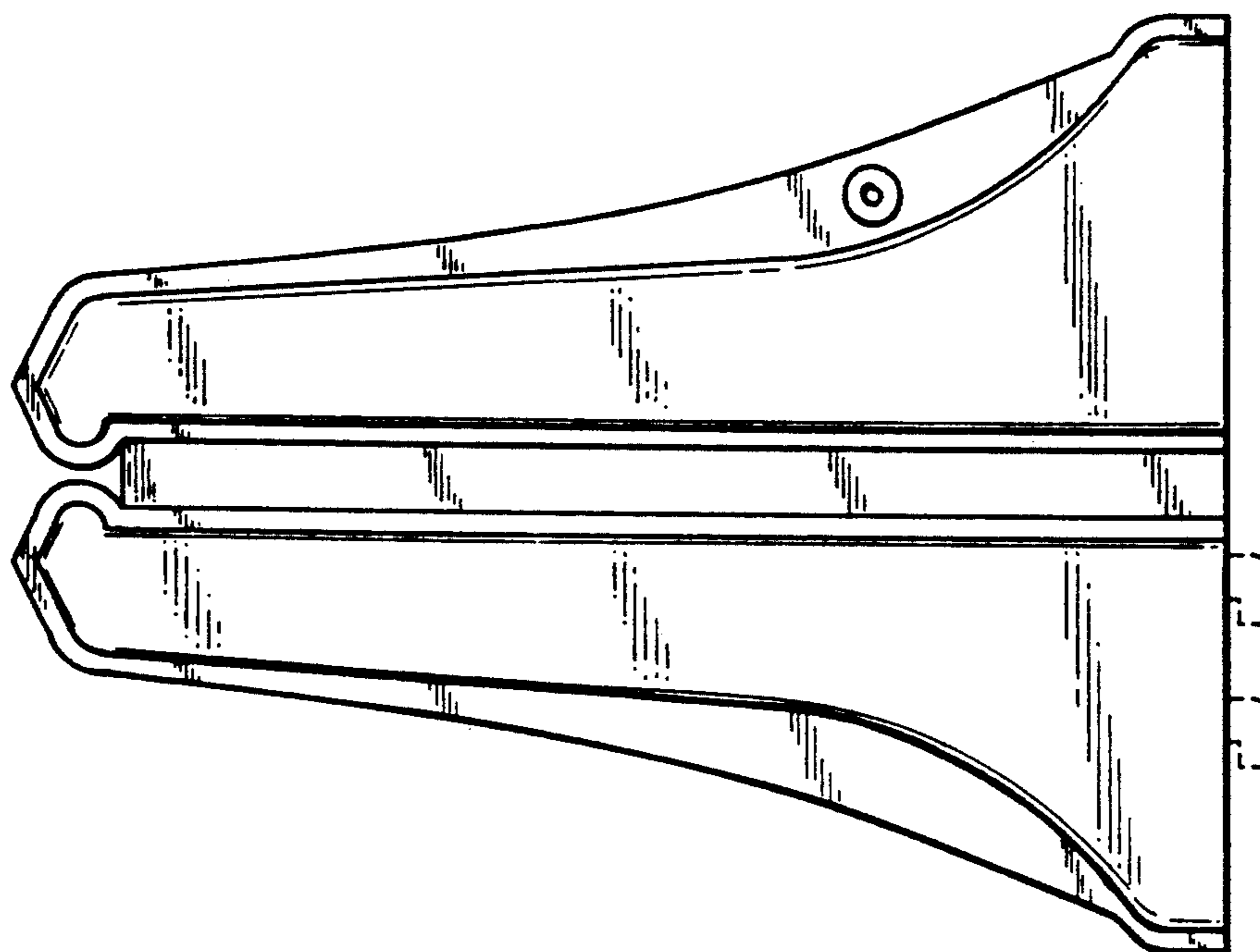


FIG. 2

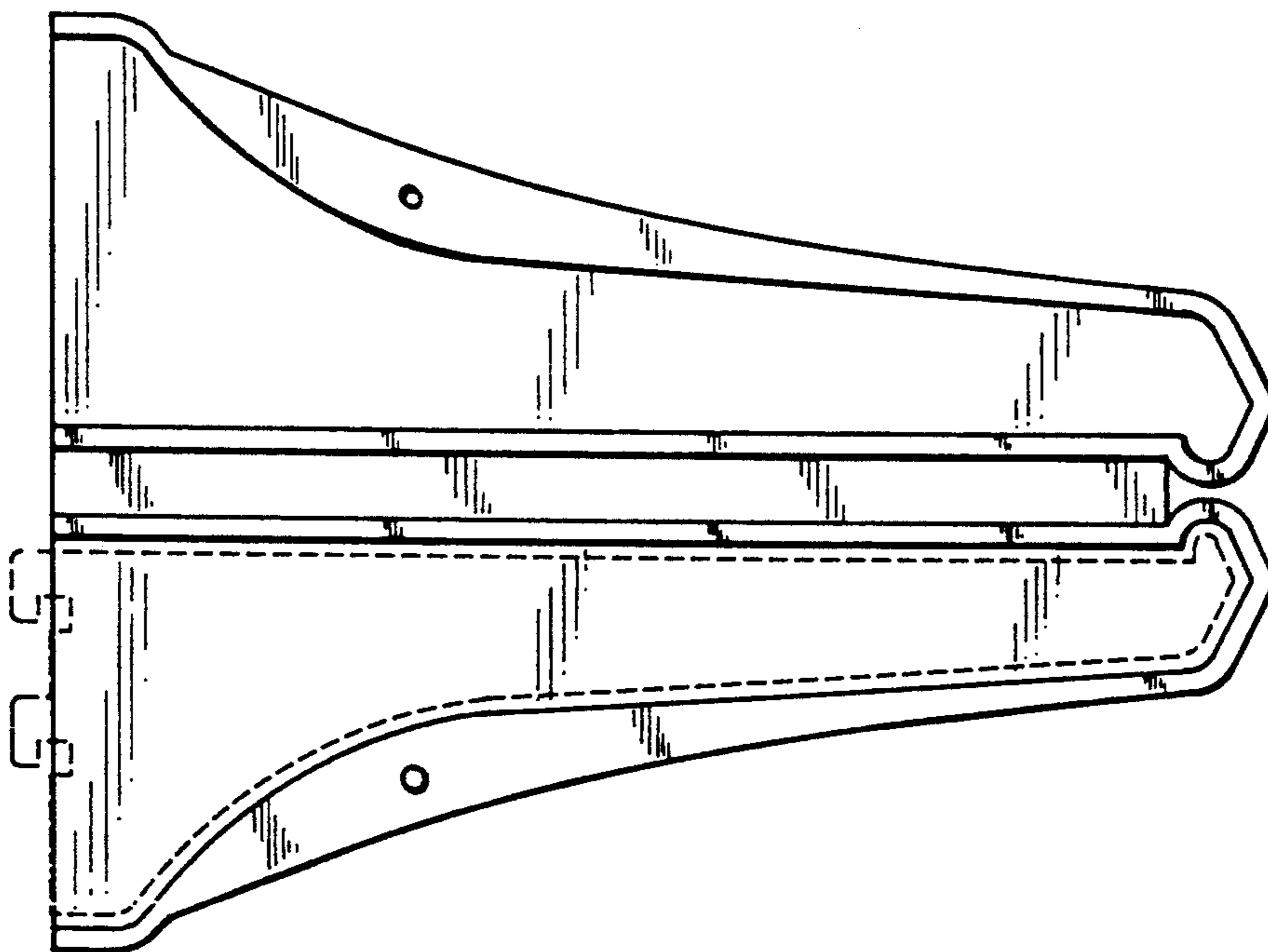


FIG. 3



FIG. 4

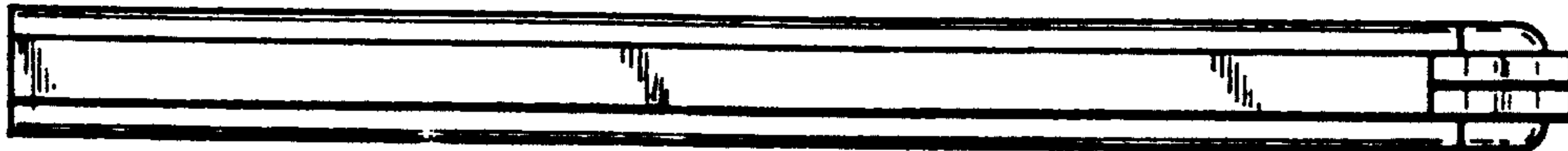


FIG. 5



FIG. 6

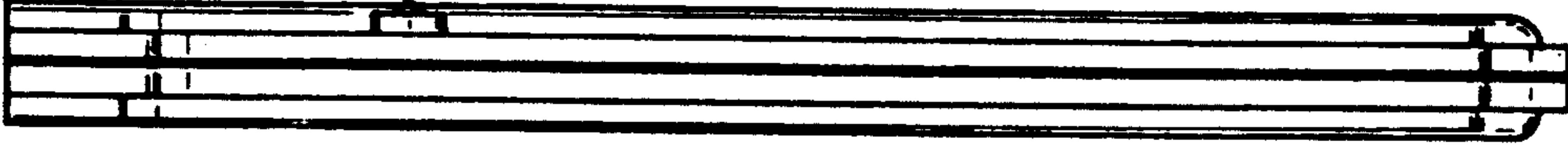


FIG. 7