



US00D345496S

# United States Patent [19]

[11] Patent Number: **Des. 345,496**

**Erbach**

[45] Date of Patent: **\*\* Mar. 29, 1994**

[54] **WORKPIECE HOLD-DOWN DEVICE**

[75] Inventor: **Steven A. Erbach, Bellingham, Wash.**

[73] Assignee: **Woodstock International, Inc., Bellingham, Wash.**

[\*\*] Term: **14 Years**

[21] Appl. No.: **905**

[22] Filed: **Oct. 28, 1992**

[52] U.S. Cl. .... **D8/72**

[58] Field of Search ..... **D8/71, 72; 269/139, 269/138, 135, 134, 296, 901; 248/500, 510; D15/135, 136, 140, 143**

2,991,669 7/1961 Stock ..... 269/135  
 2,997,084 8/1961 Schron ..... 144/297  
 3,057,240 10/1962 De Witt ..... 83/412  
 3,286,744 11/1966 Stall et al. .... 143/168  
 3,770,259 11/1973 Wagreigh ..... D8/72 X  
 4,531,903 7/1985 Frey et al. .... D15/135 X  
 4,644,985 2/1987 Weaver ..... 144/145 R  
 4,766,465 8/1988 Takahashi ..... 355/53  
 4,882,221 11/1989 Richards ..... 269/901  
 5,092,570 3/1992 Depping ..... 269/296

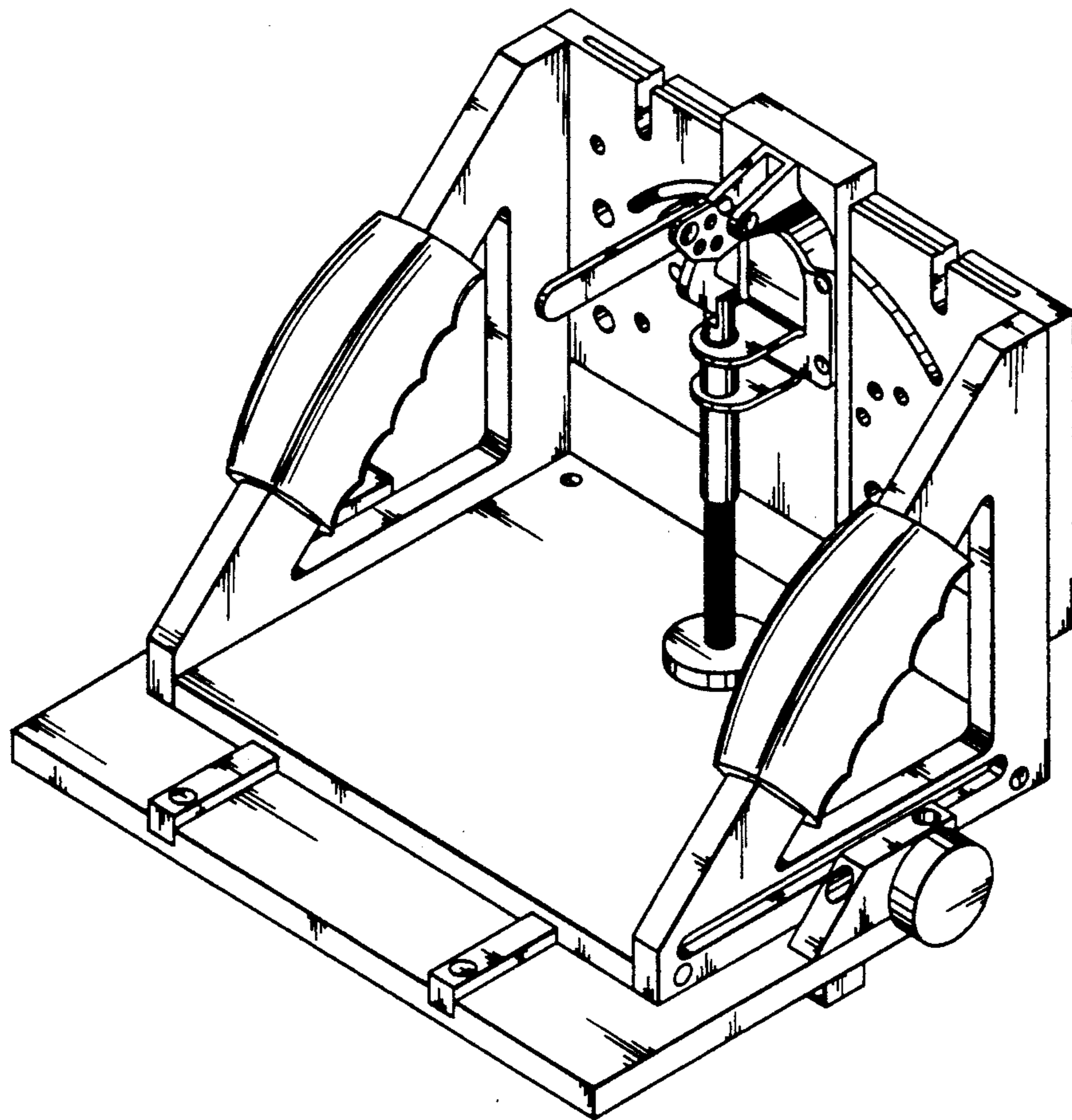
*Primary Examiner*—Alan P. Douglas  
*Assistant Examiner*—J. H. Musgrove  
*Attorney, Agent, or Firm*—Christensen, O'Connor, Johnson & Kindness

[56] **References Cited**  
**U.S. PATENT DOCUMENTS**

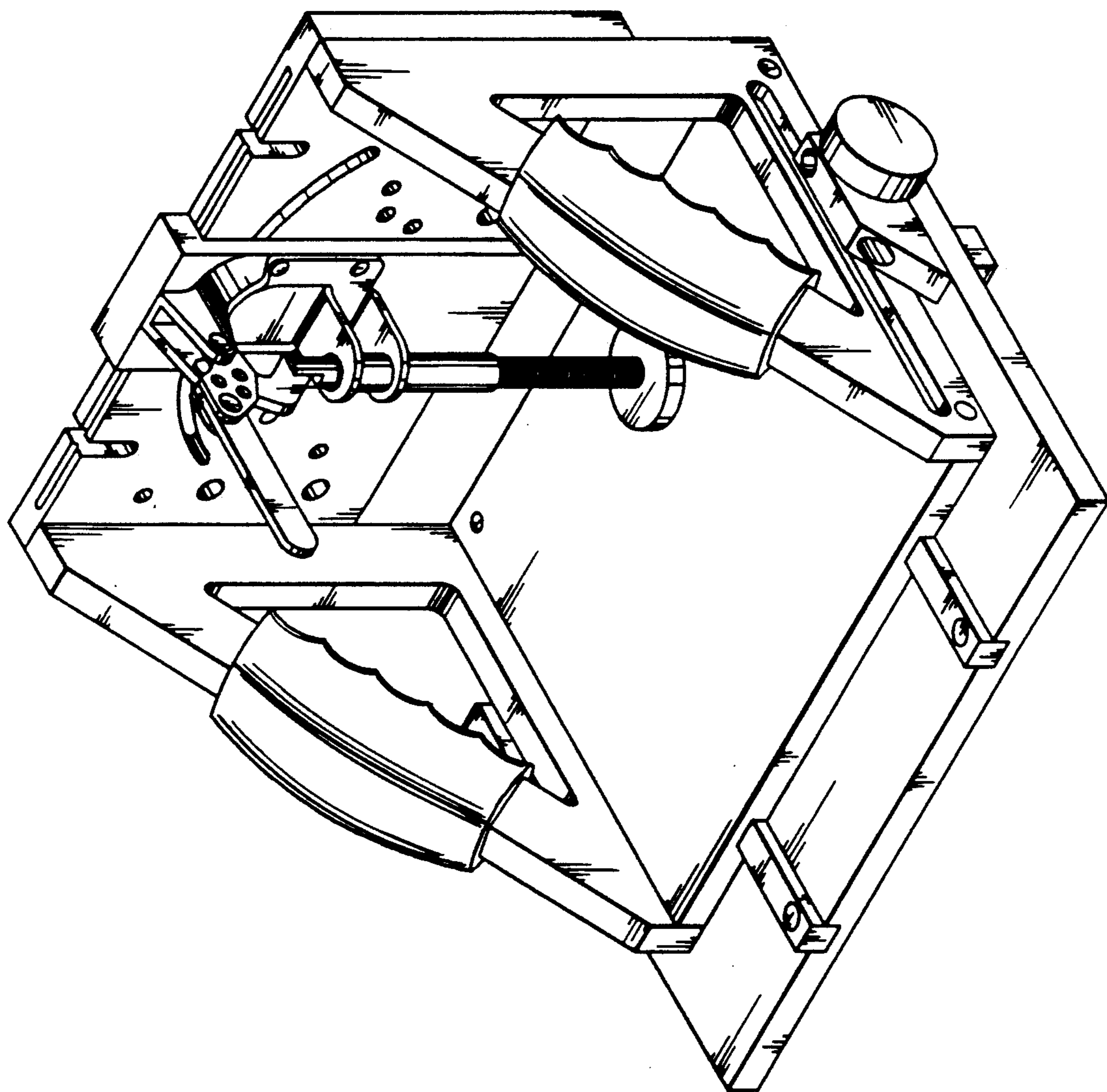
D. 286,784 11/1986 Jarrett ..... D15/135  
 D. 291,529 8/1987 Degen ..... D8/72  
 D. 298,209 10/1988 Hoke ..... D8/72  
 D. 334,590 4/1993 Villano ..... D8/72  
 193,256 7/1877 Keith ..... 269/296  
 1,730,510 10/1929 Jensen ..... 269/134  
 2,668,568 2/1954 Budd ..... 144/134  
 2,669,958 4/1951 Sweeney ..... 113/104  
 2,895,513 7/1959 Cowley ..... 143/52

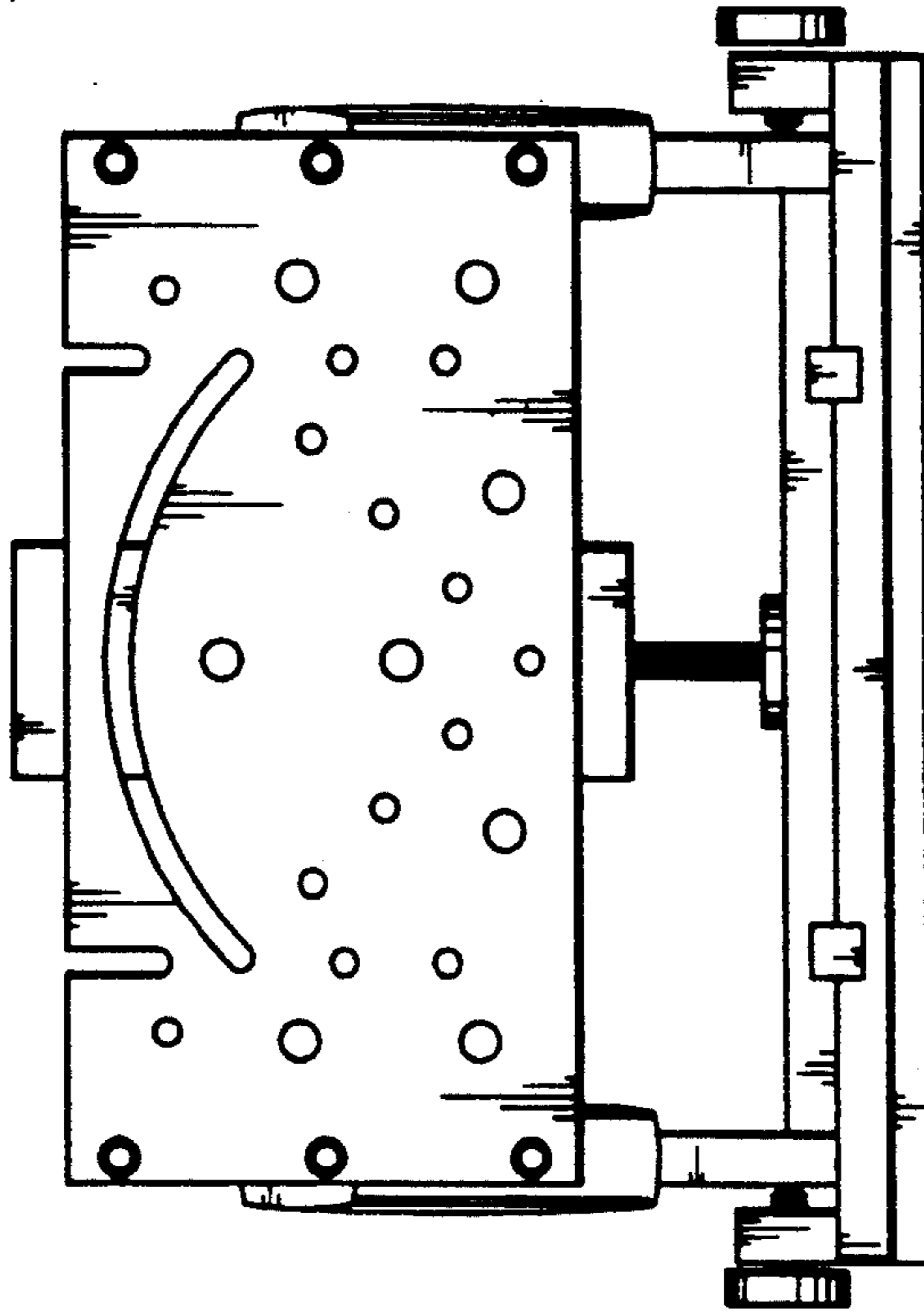
[57] **CLAIM**  
 The ornamental design for a workpiece hold-down device, as shown and described.

**DESCRIPTION**  
 FIG. 1 is a top isometric view of a workpiece hold-down device showing my new design;  
 FIG. 2 is a front elevational view thereof;  
 FIG. 3 is a back elevational view thereof;  
 FIG. 4 is a side elevational view thereof;  
 FIG. 5 is a top plan view thereof; and,  
 FIG. 6 is a bottom plan view thereof.

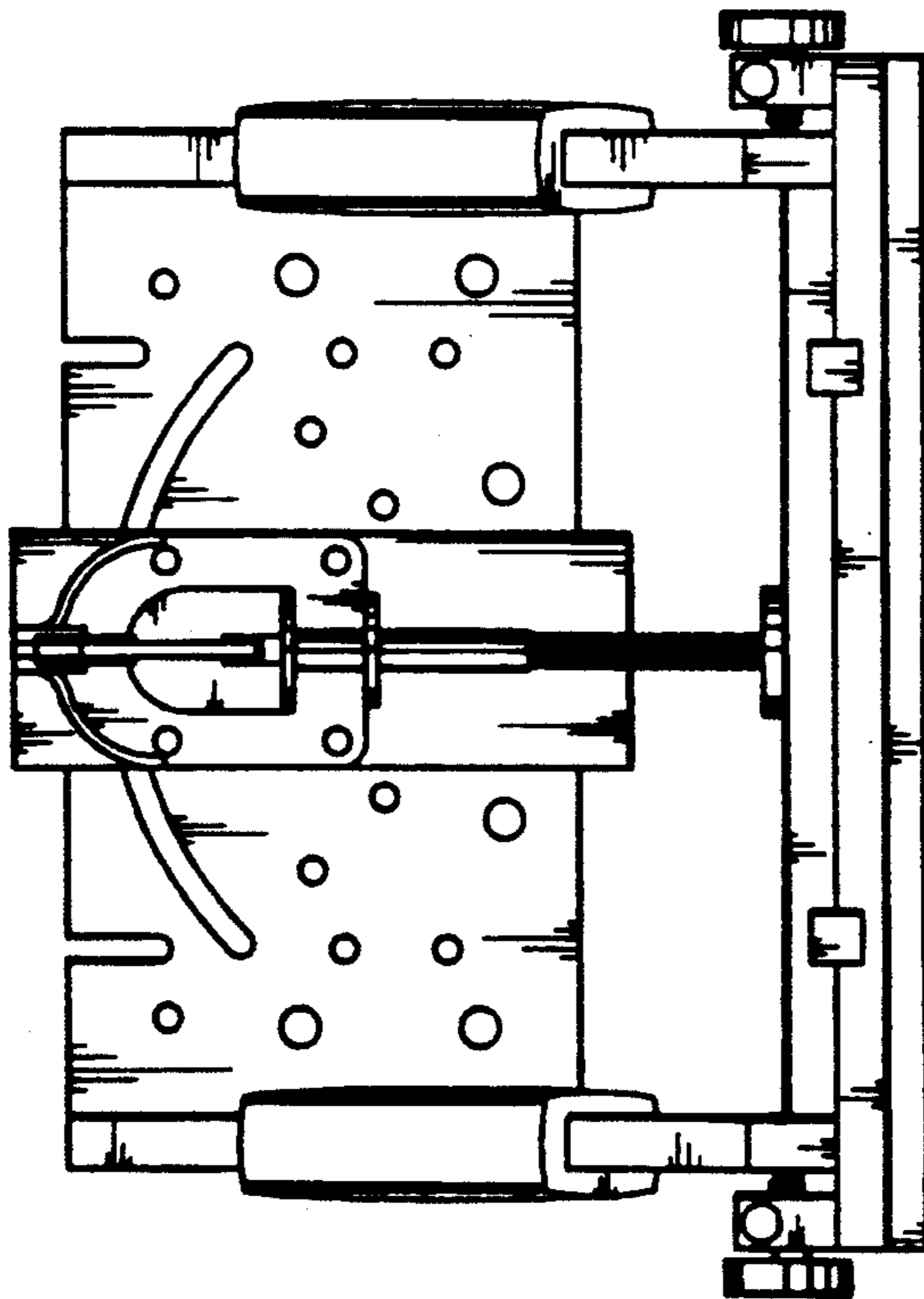


*Fig. 1.*

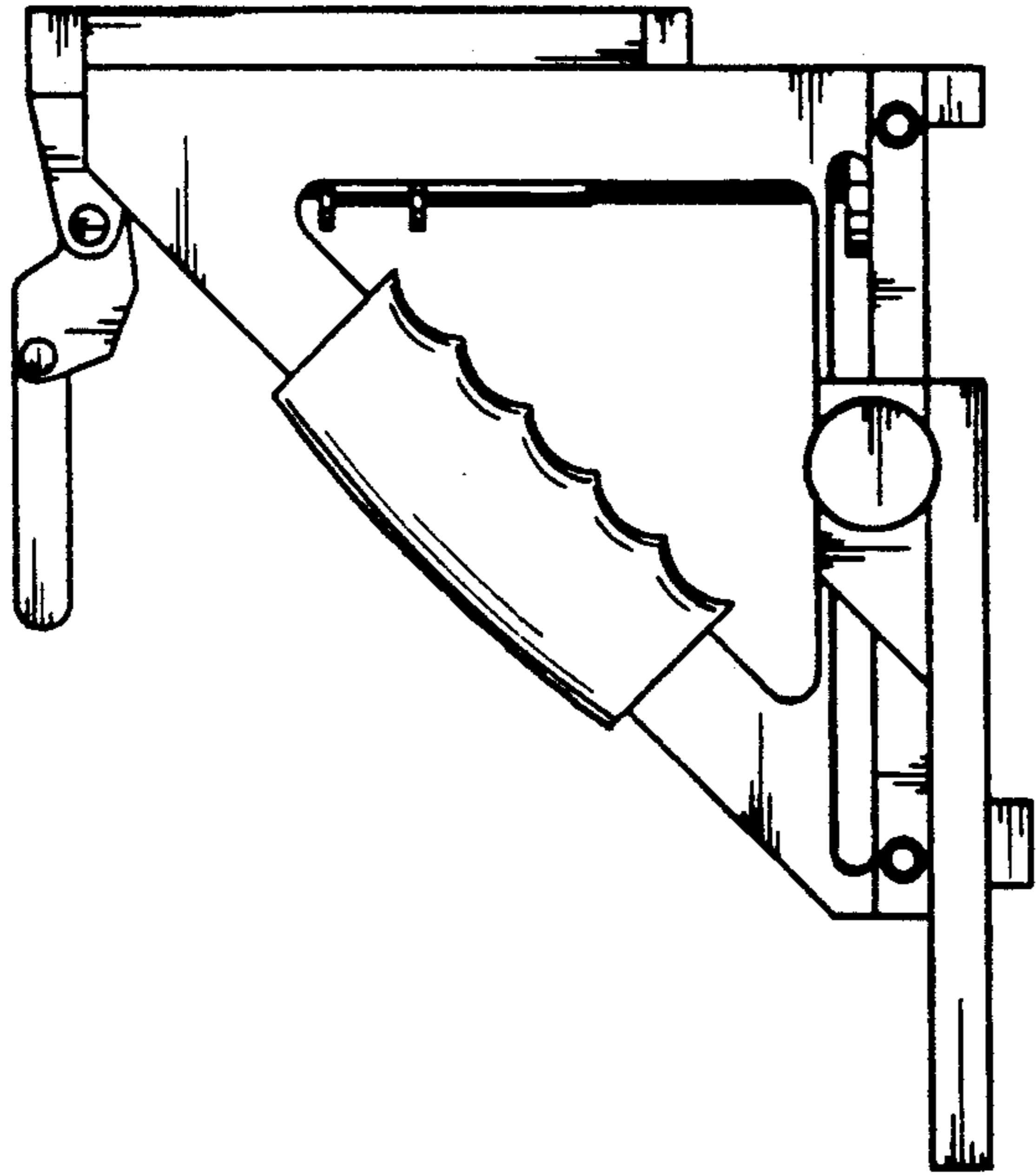




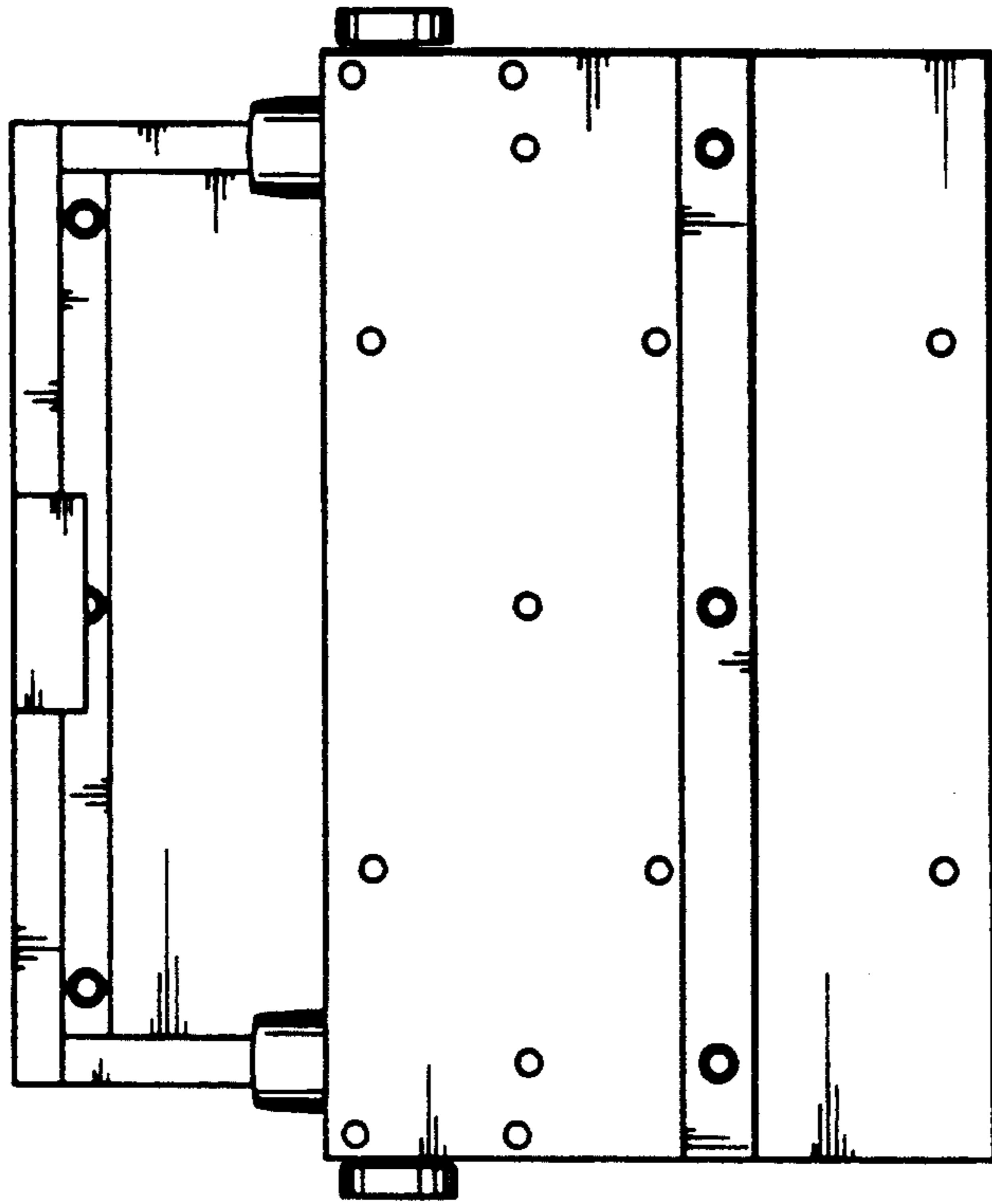
*Fig. 3.*



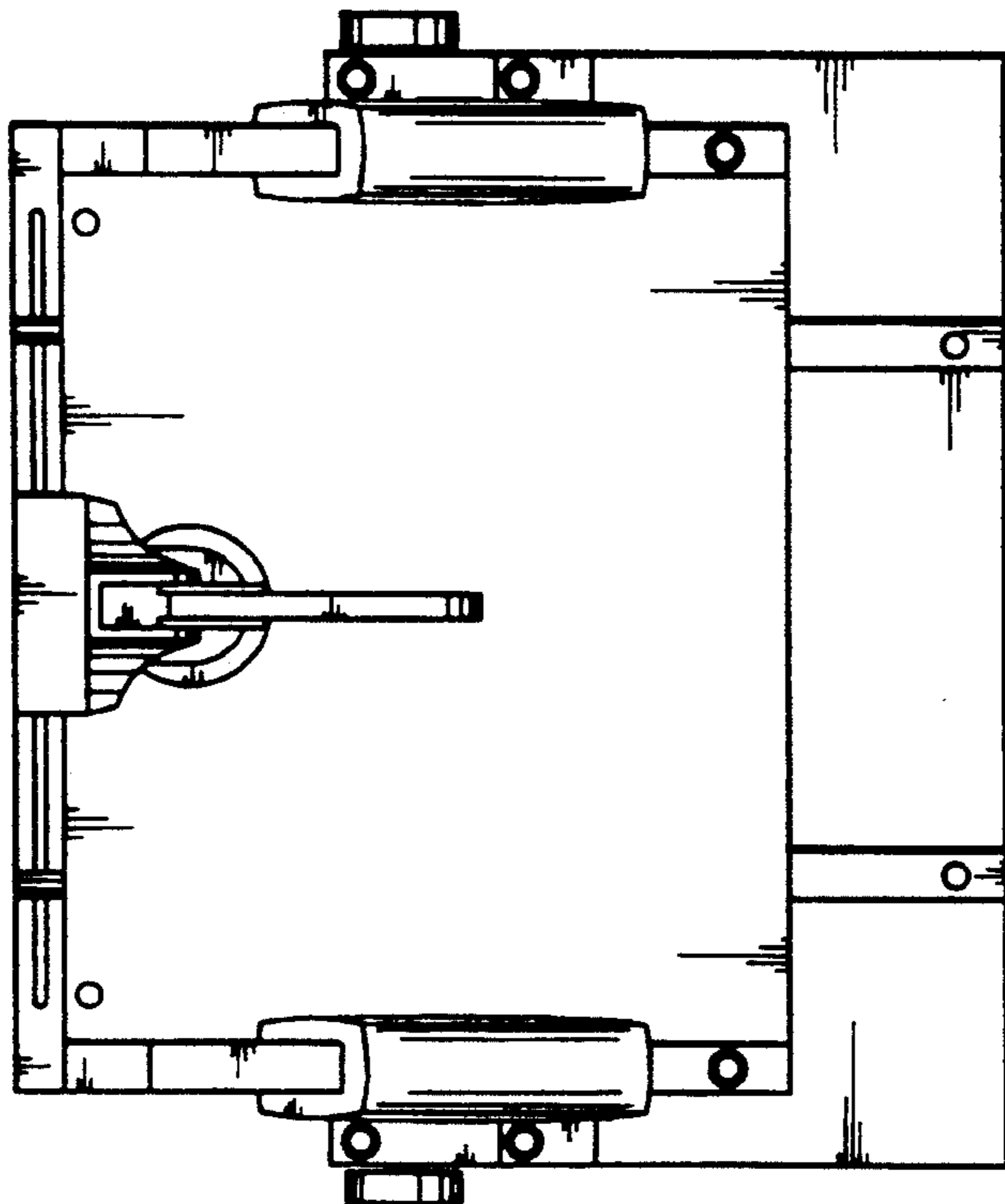
*Fig. 2.*



*Fig. 4.*



*Fig. 6.*



*Fig. 5.*

UNITED STATES PATENT AND TRADEMARK OFFICE  
**CERTIFICATE OF CORRECTION**

PATENT NO. : Des. 345,496  
DATED : March 29, 1994  
INVENTOR(S) : S.A. Erbach

It is certified that error appears in the above-identified patent and that said Letters Patent is hereby corrected as shown below:

Title page, item [56], under References Cited, first reference, insert--  
60-232839 11/1985 Japan--.

Signed and Sealed this  
Twentieth Day of September, 1994

*Attest:*



**BRUCE LEHMAN**

*Attesting Officer*

*Commissioner of Patents and Trademarks*