



US00D345494S

# United States Patent [19]

[11] Patent Number: **Des. 345,494**

**Lallier**

[45] Date of Patent: **\*\* Mar. 29, 1994**

[54] **CORNERBEAD CRIMPER DEVICE**

4,989,438 2/1991 Simon ..... 29/243.5 X  
5,040,400 8/1991 Nastasi ..... 29/243.5 X

[76] Inventor: **Guy Lallier**, 3837 Coco Plum, Cir.,  
Karanda Village 3, Pompano Beach,  
Fla. 33063

*Primary Examiner*—Nelson G. Holtje  
*Assistant Examiner*—J. H. Musgrove  
*Attorney, Agent, or Firm*—Fishman, Dionne & Cantor

[\*\*] Term: **14 Years**

[57] **CLAIM**

[21] Appl. No.: **901,509**

The ornamental design for a cornerbead crimper de-  
vice, as shown and described.

[22] Filed: **Jun. 19, 1992**

**Related U.S. Application Data**

**DESCRIPTION**

[63] Continuation-in-part of Ser. No. 812,359, Dec. 20,  
1991.

FIG. 1 shows a side elevation view of a first embodi-  
ment of my new design;

[52] U.S. Cl. .... **D8/61; D8/68**

FIG. 2 shows a front elevational view thereof;

[58] **Field of Search** ..... **D8/71, 68, 75; 493/109;**  
**29/243.5, 275, 282; 72/325, 453.16**

FIG. 3 shows a top plan view thereof;

FIG. 4 shows a bottom plan view thereof;

FIG. 5 shows a rear elevation view thereof;

[56] **References Cited**

FIG. 6 shows a side elevation view of a second embodi-  
ment of my new design;

**U.S. PATENT DOCUMENTS**

FIG. 7 shows a front elevational view thereof;

4,593,443 6/1986 Wolford ..... 29/243.5

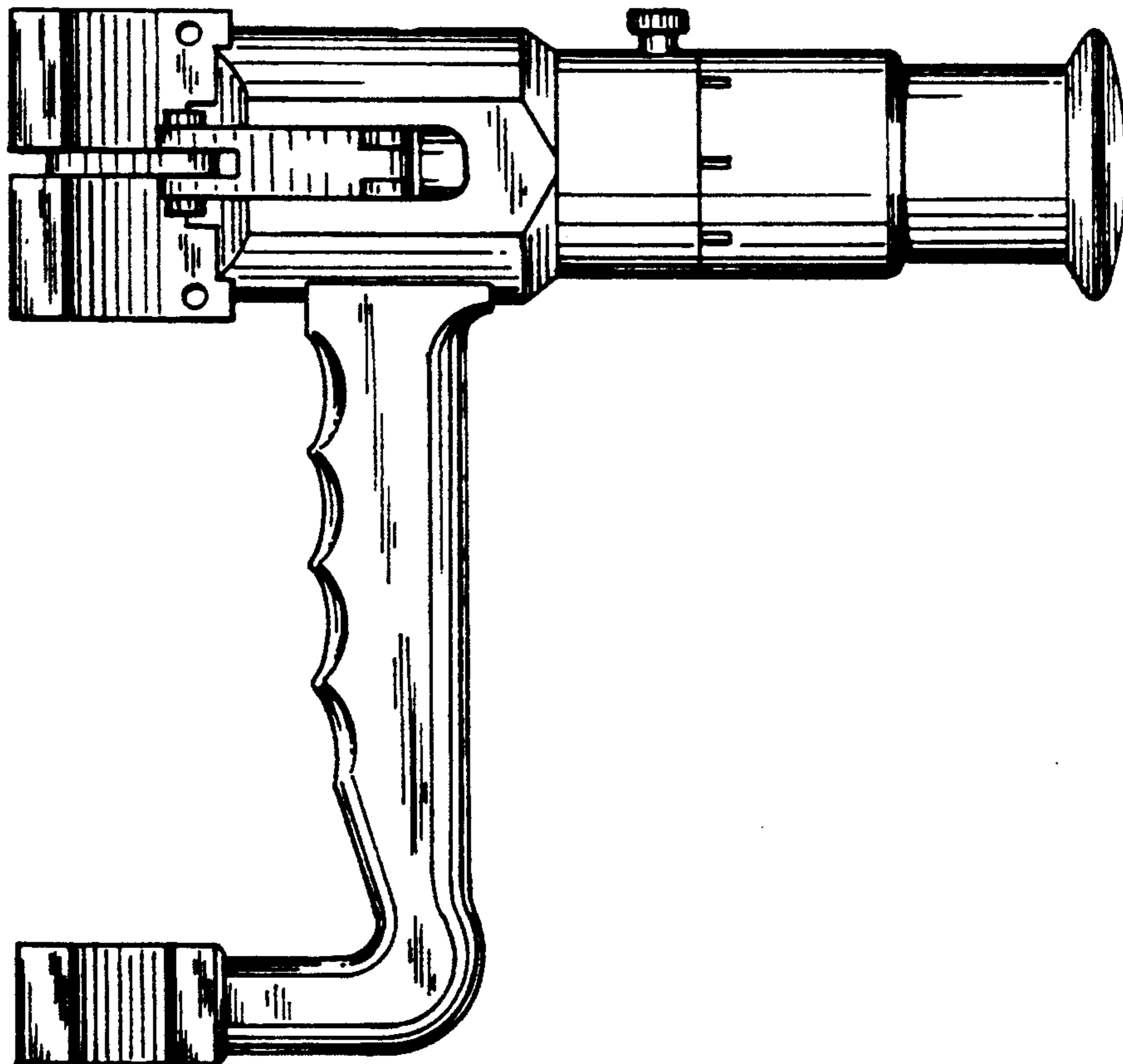
FIG. 8 shows a top plan view thereof;

4,670,957 6/1987 Wolford ..... 29/243.5 X

FIG. 9 shows a bottom plan view thereof; and,

4,893,493 1/1990 Jacques et al. .... 29/243.5 X

FIG. 10 shows a rear elevation view thereof.



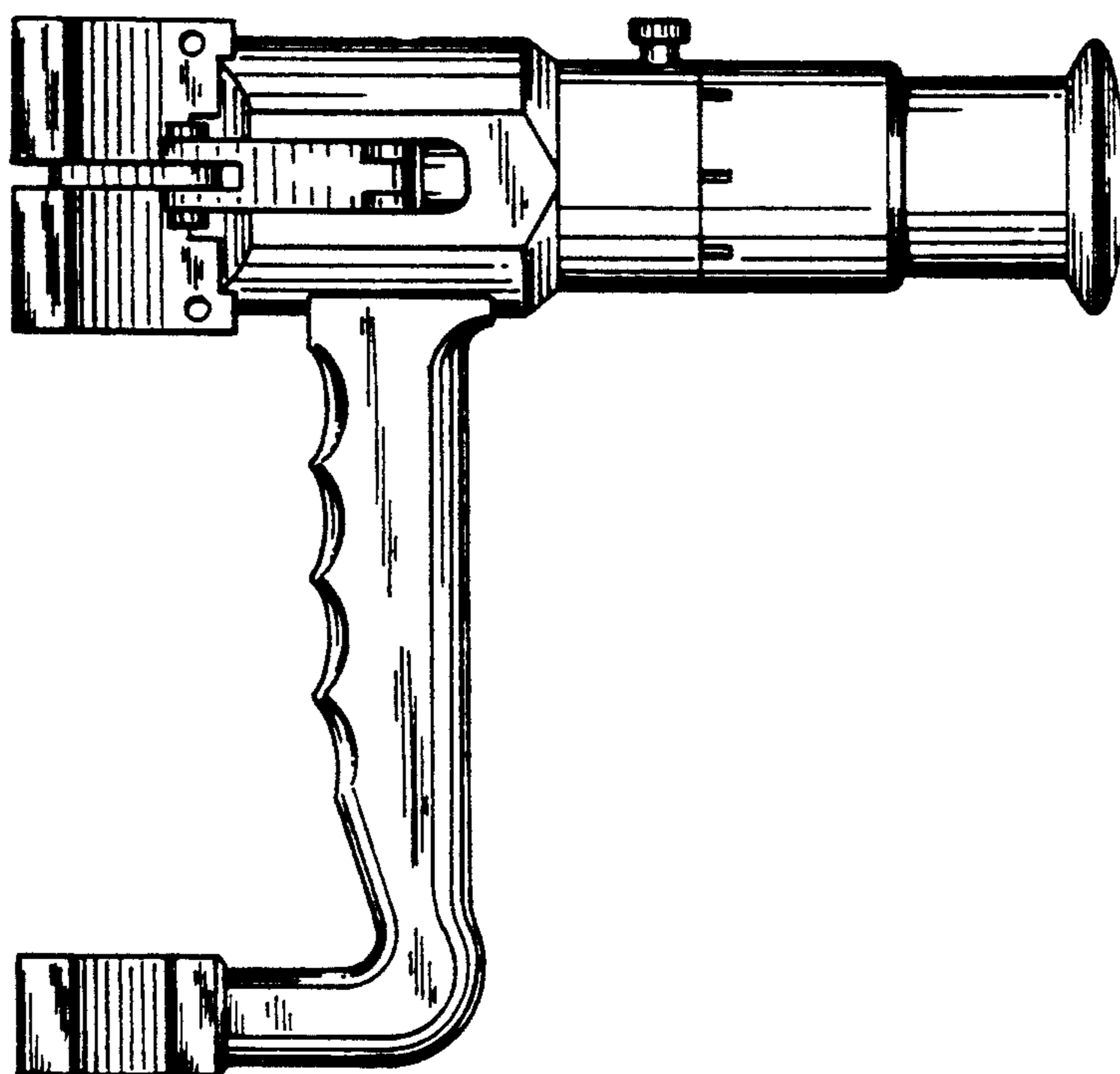


FIG. 1

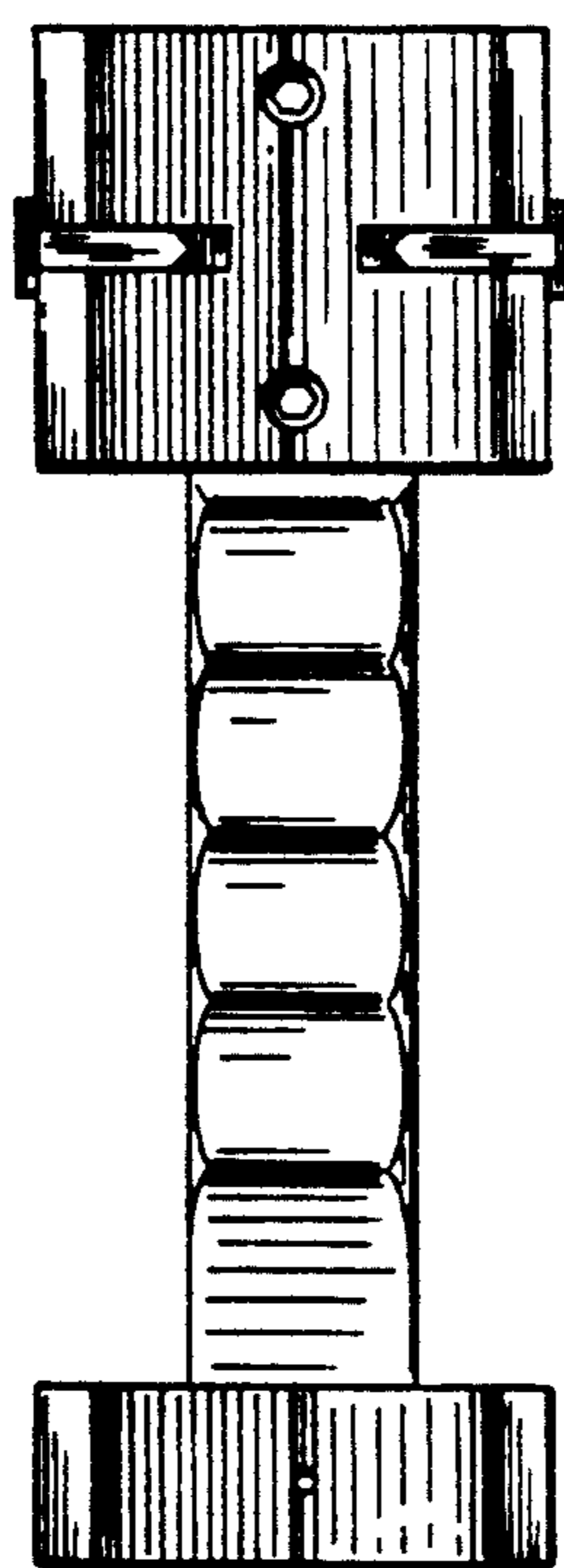


FIG. 2

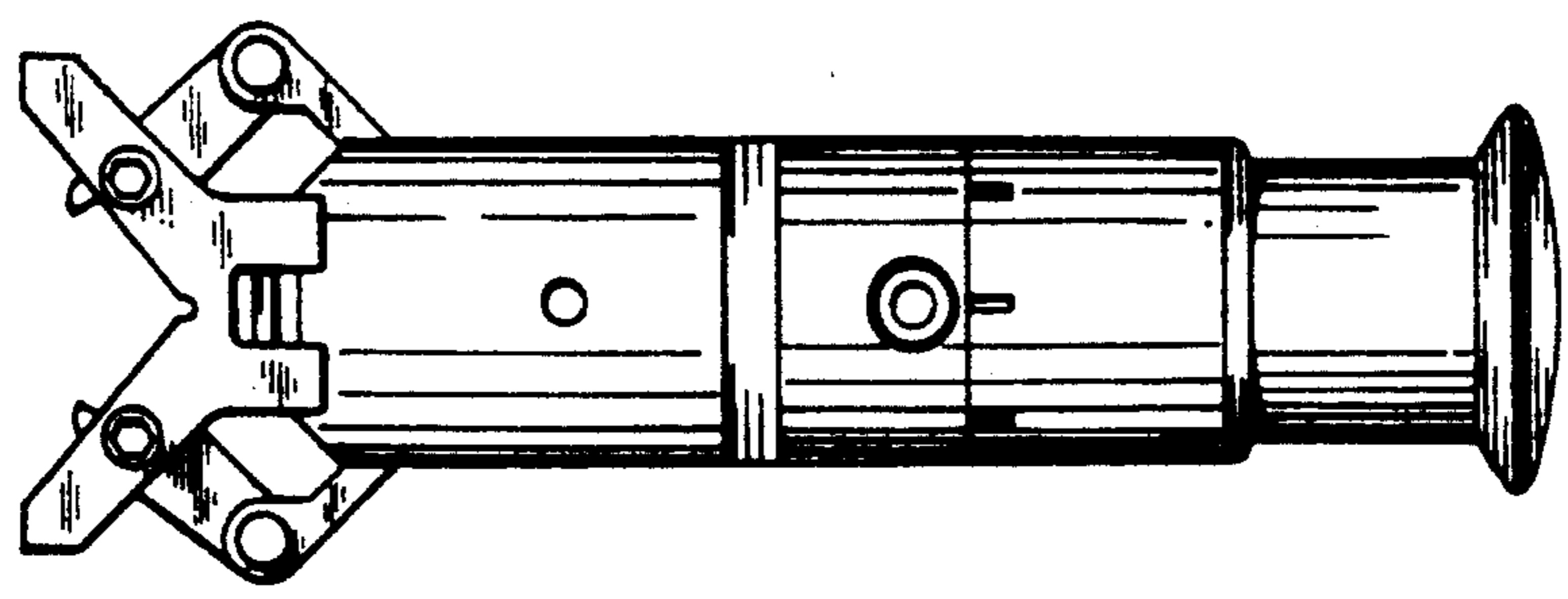


FIG. 3

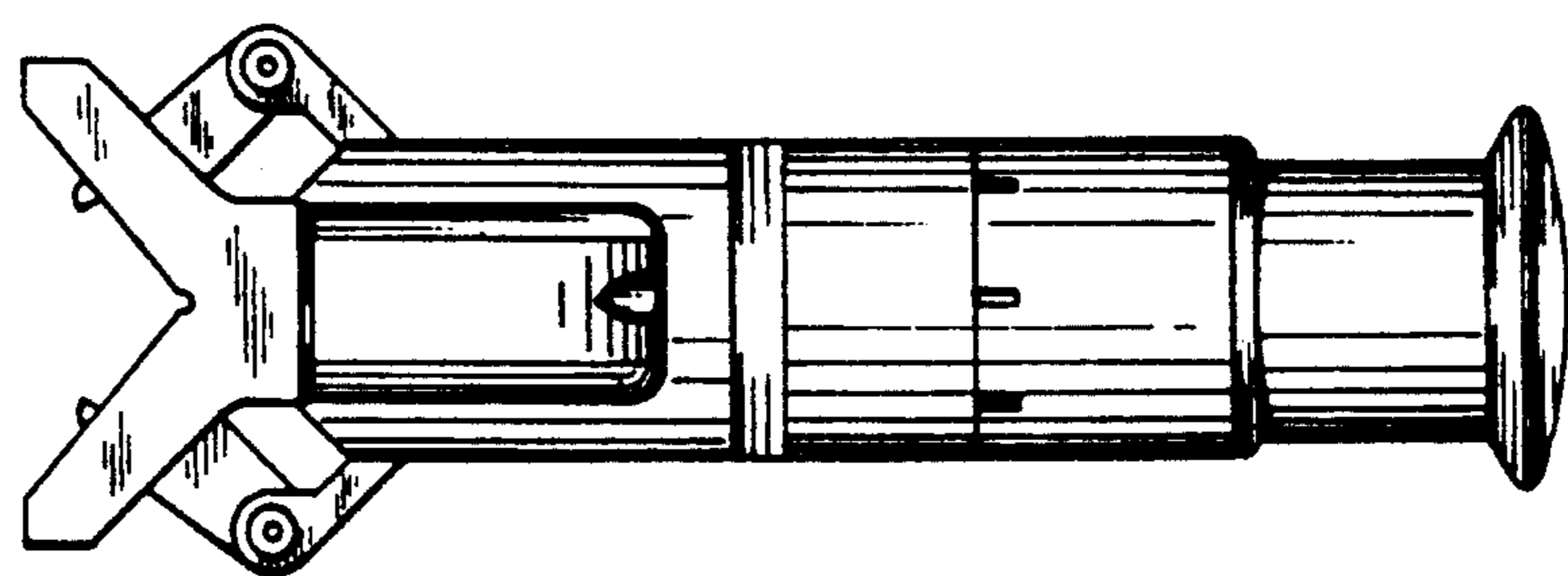


FIG. 4

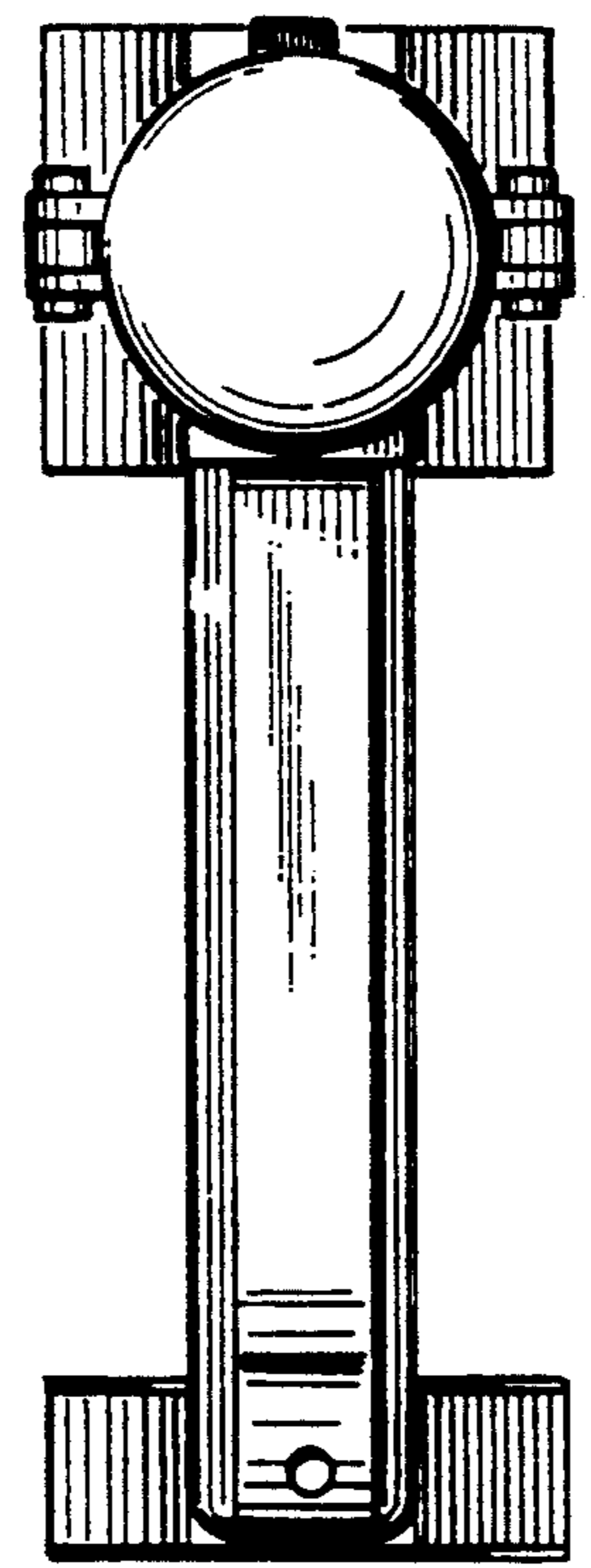


FIG. 5

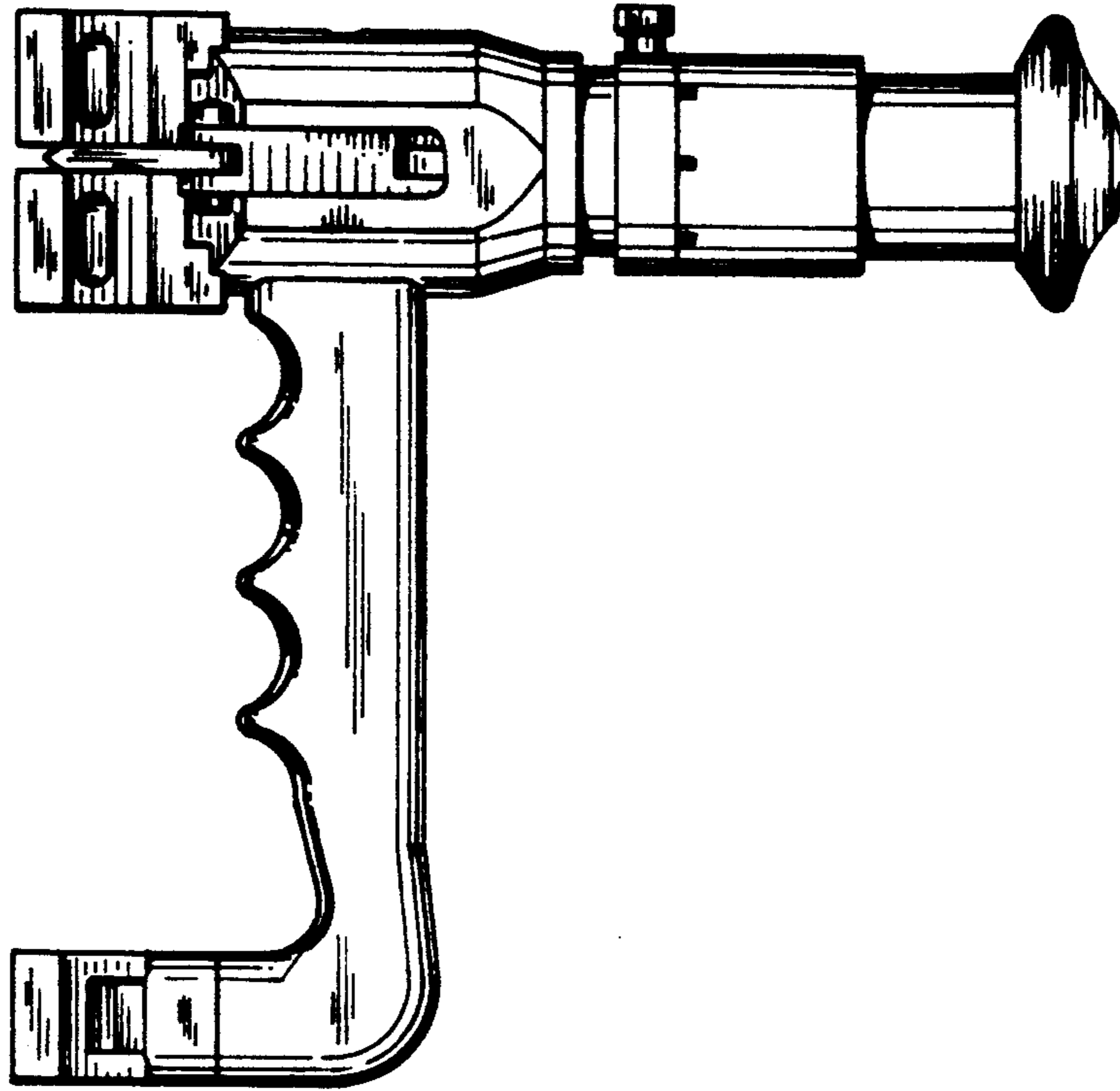


FIG. 6

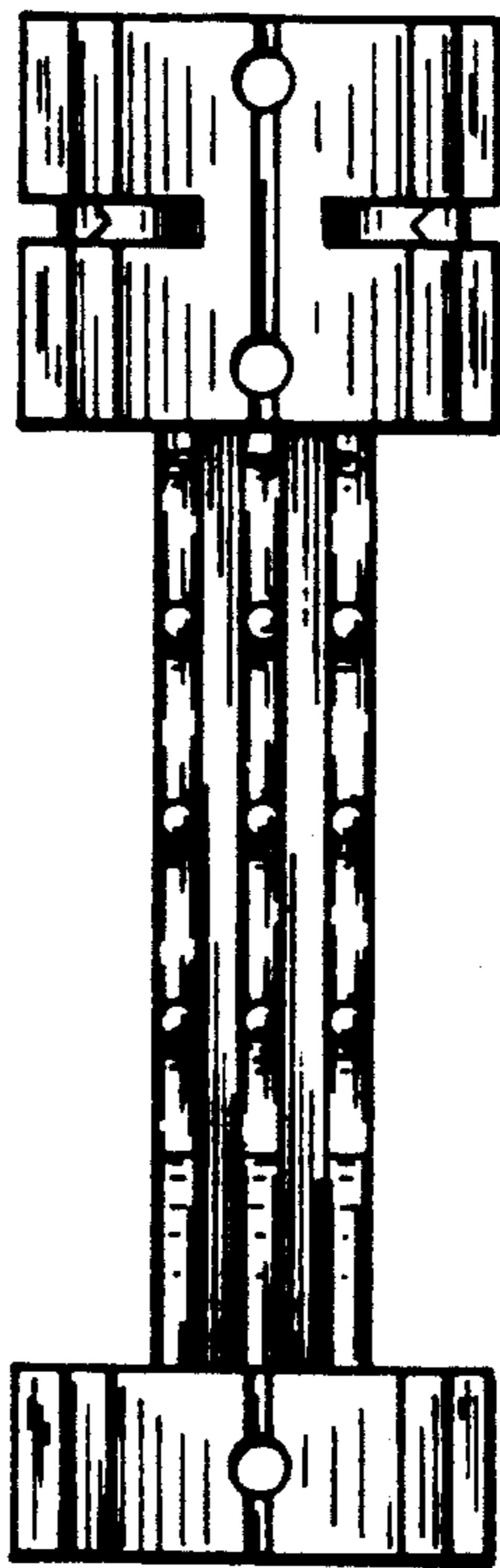


FIG. 7

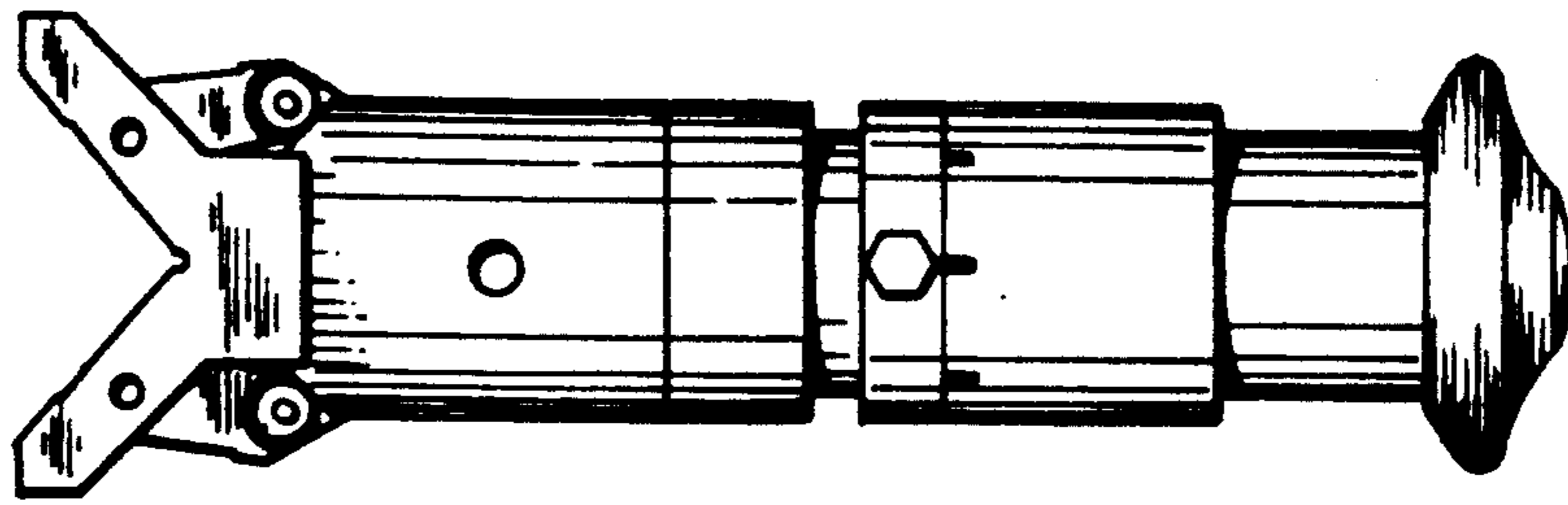


FIG. 8

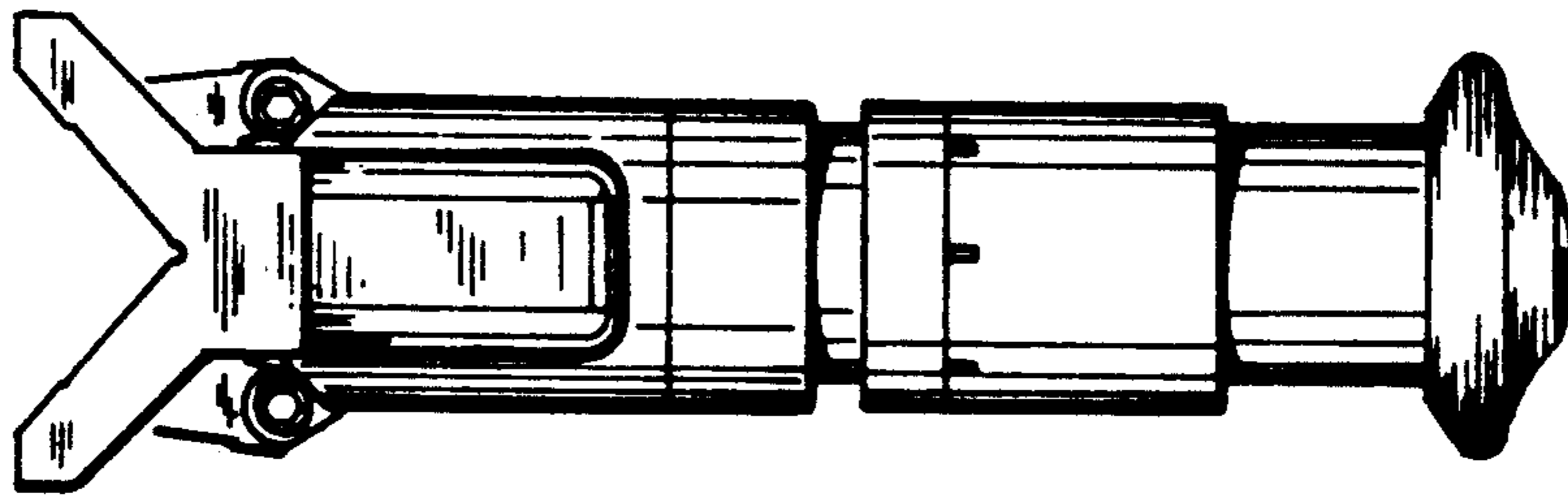


FIG. 9

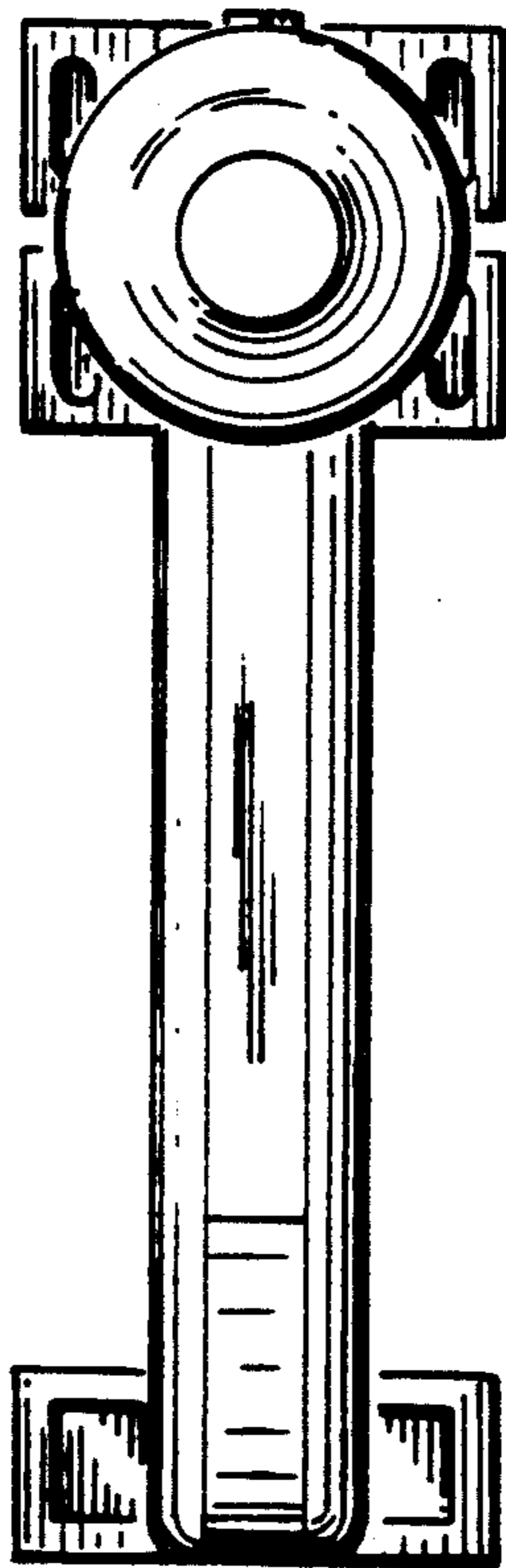


FIG. 10