



US00D345492S

United States Patent [19]

[11] Patent Number: **Des. 345,492**

Mele

[45] Date of Patent: **** Mar. 29, 1994**

[54] **ROOF SNOW RAKE**

[76] Inventor: **Peter C. Mele**, P.O. Box 533, Crown Point, N.Y. 12928

[**] Term: **14 Years**

[21] Appl. No.: **6,609**

[22] Filed: **Apr. 2, 1993**

[52] U.S. Cl. **D8/10**

[58] Field of Search **D8/10; 294/54.5, 55, 294/49**

OTHER PUBLICATIONS

Harriet Carter, Jan. 1992, p. 16, snow plow, located in lower right corner.

Thorsen's Catalog, 1959, no page number, snow plow, located at top right.

Primary Examiner—Wallace R. Burke

Assistant Examiner—H. Baynham

Attorney, Agent, or Firm—Thomas N. Neiman

[56] **References Cited**

U.S. PATENT DOCUMENTS

D. 305,603	1/1990	Nelson et al.	D8/10 X
D. 306,122	2/1990	Snyder	D8/10
D. 307,378	4/1990	D'Alessandro	D8/10
1,196,206	8/1916	Bulger et al.	294/54.5 X
2,734,291	2/1956	Lasker	294/545
4,214,385	7/1980	Baranowski et al.	D8/10 X
4,559,726	12/1985	Moisan	294/54.5 X
4,910,893	3/1990	Asay	294/54.5 X

[57] **CLAIM**

The ornamental design for a roof snow rake, as shown and described.

DESCRIPTION

FIG. 1 is a top plan view of the roof snow rake;

FIG. 2 is a frontal elevational view thereof;

FIG. 3 is a side elevational view thereof, the opposite side being a mirror image thereof;

FIG. 4 is a rear elevational view thereof;

FIG. 5 is a bottom plan view thereof; and,

FIG. 6 is a perspective view thereof.

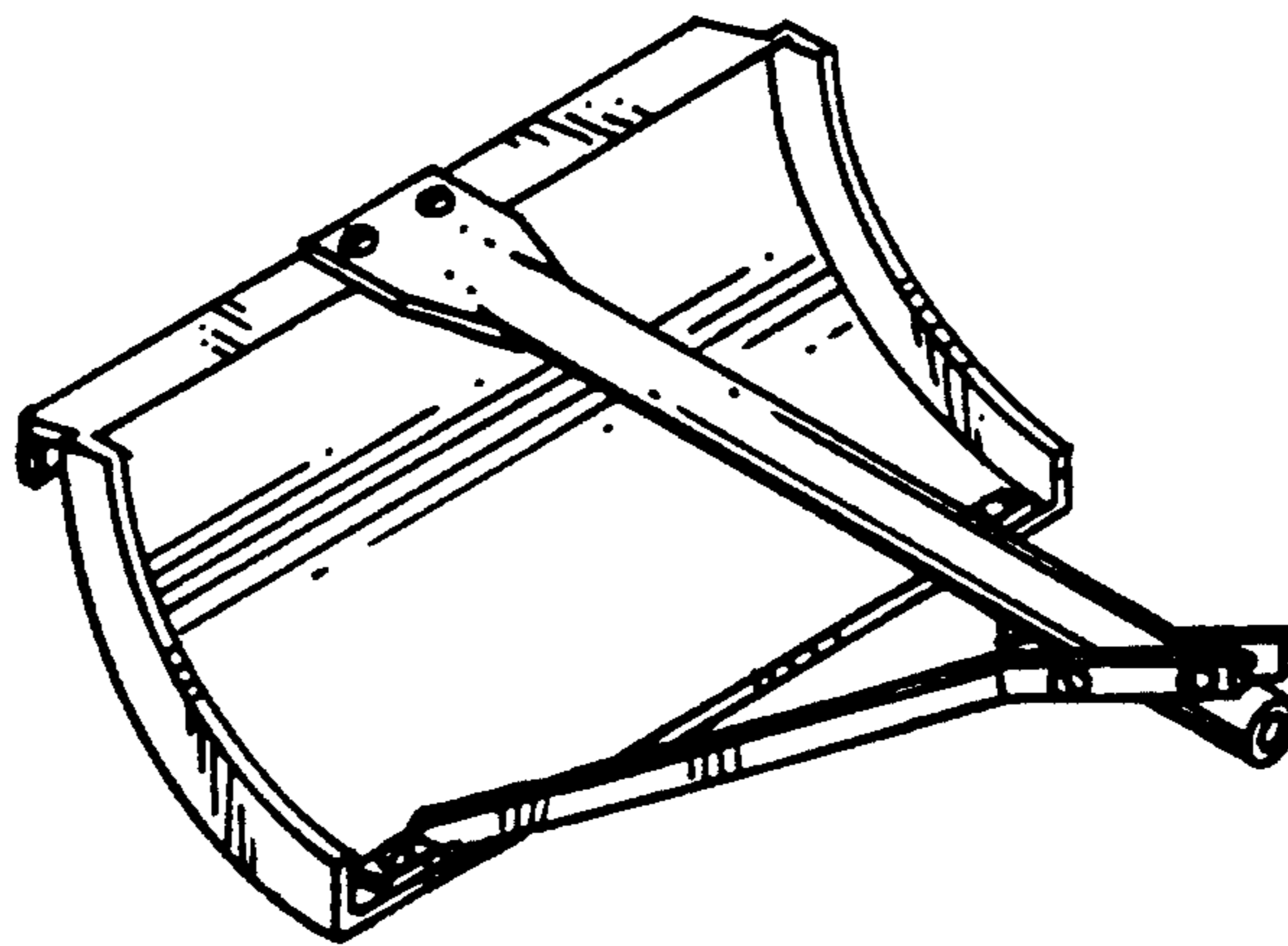


FIG.1

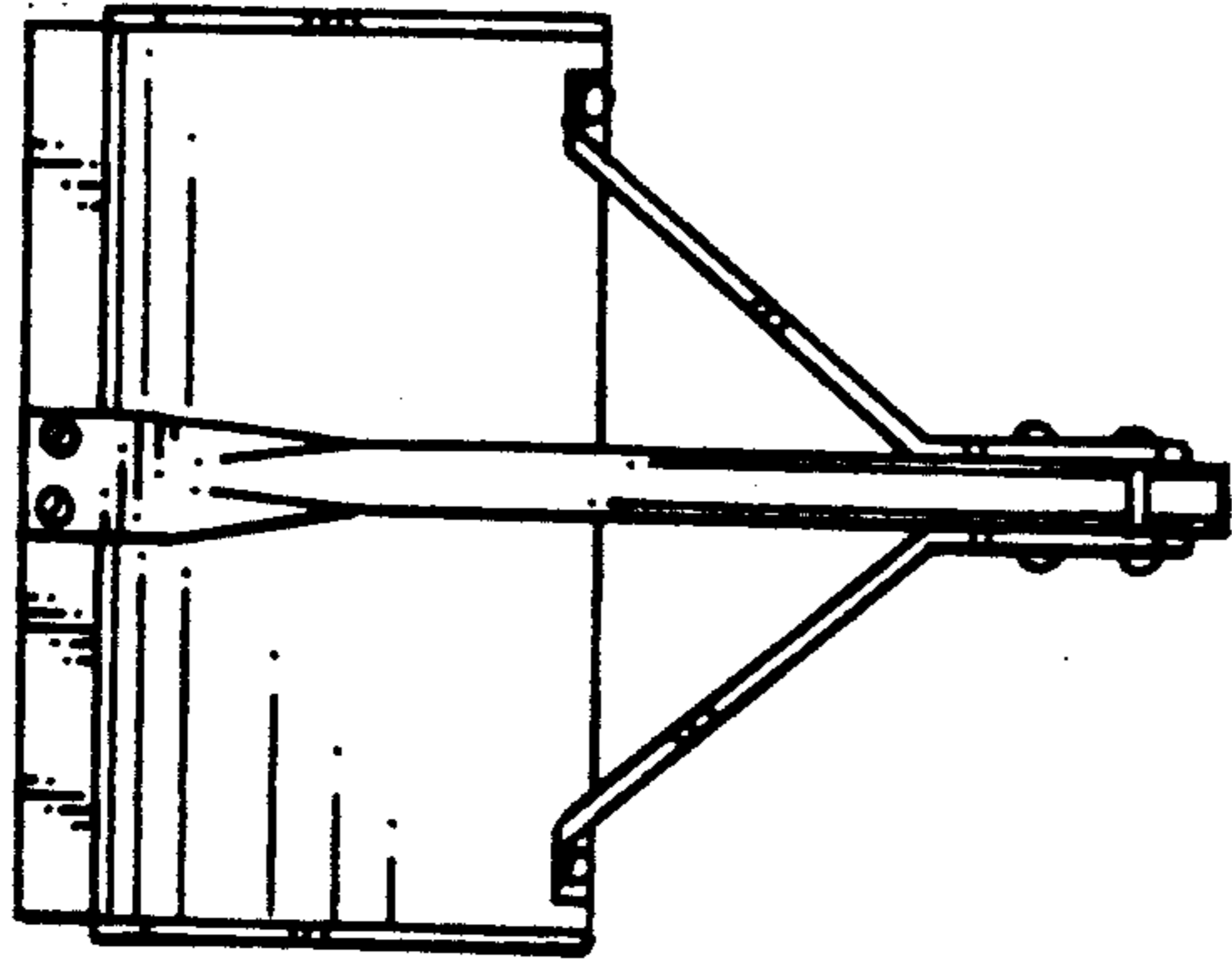


FIG.2

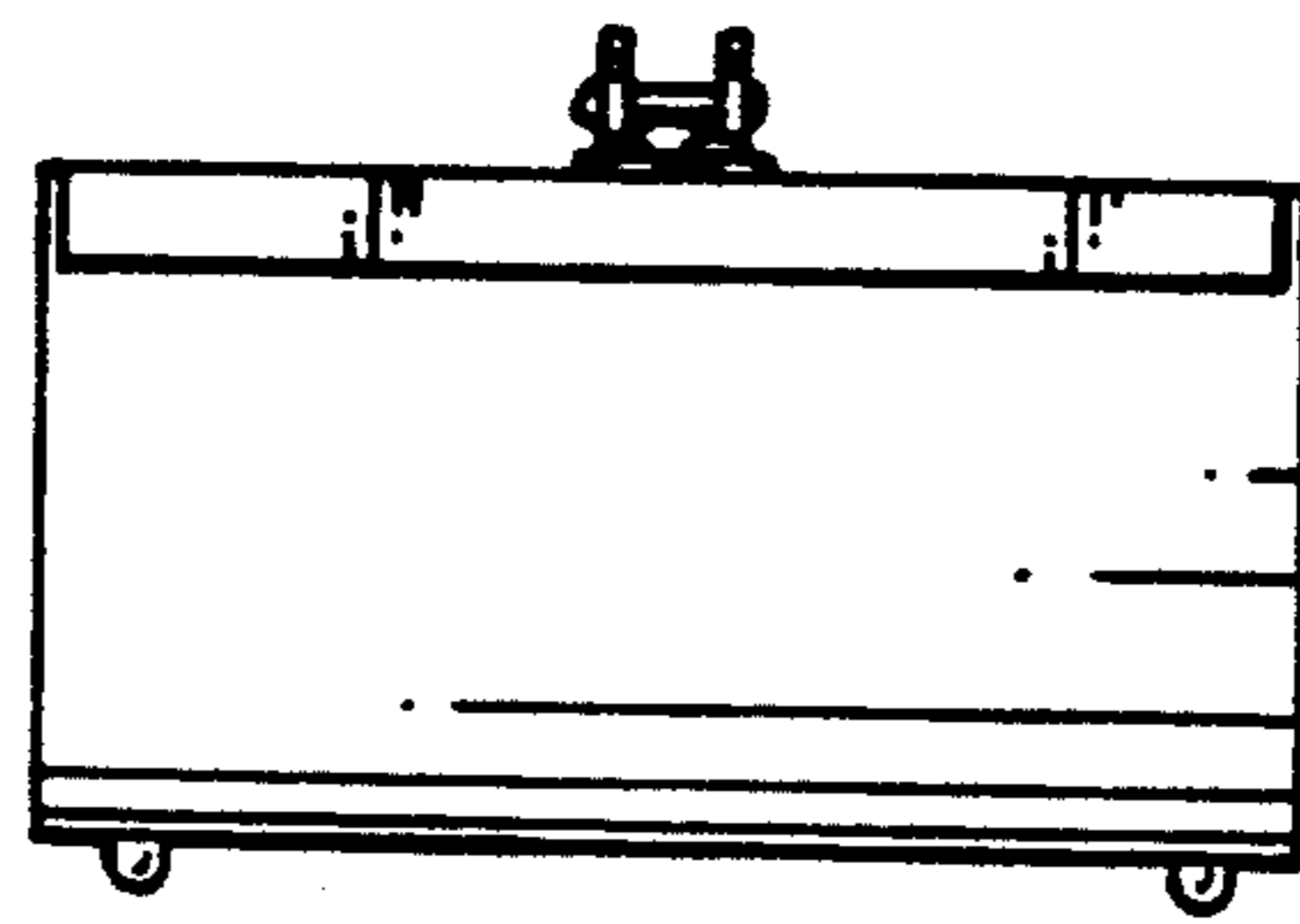


FIG.3

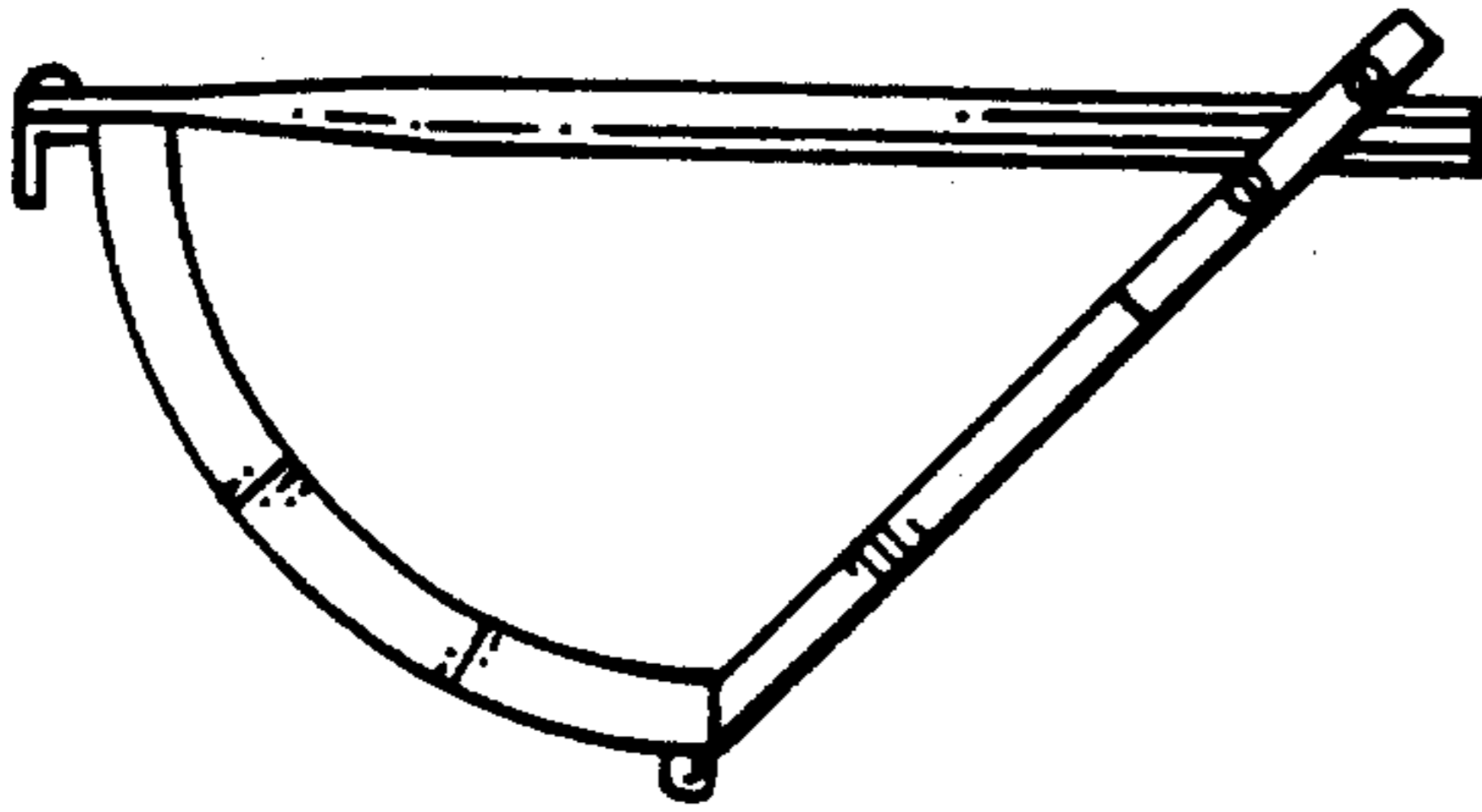


FIG.4

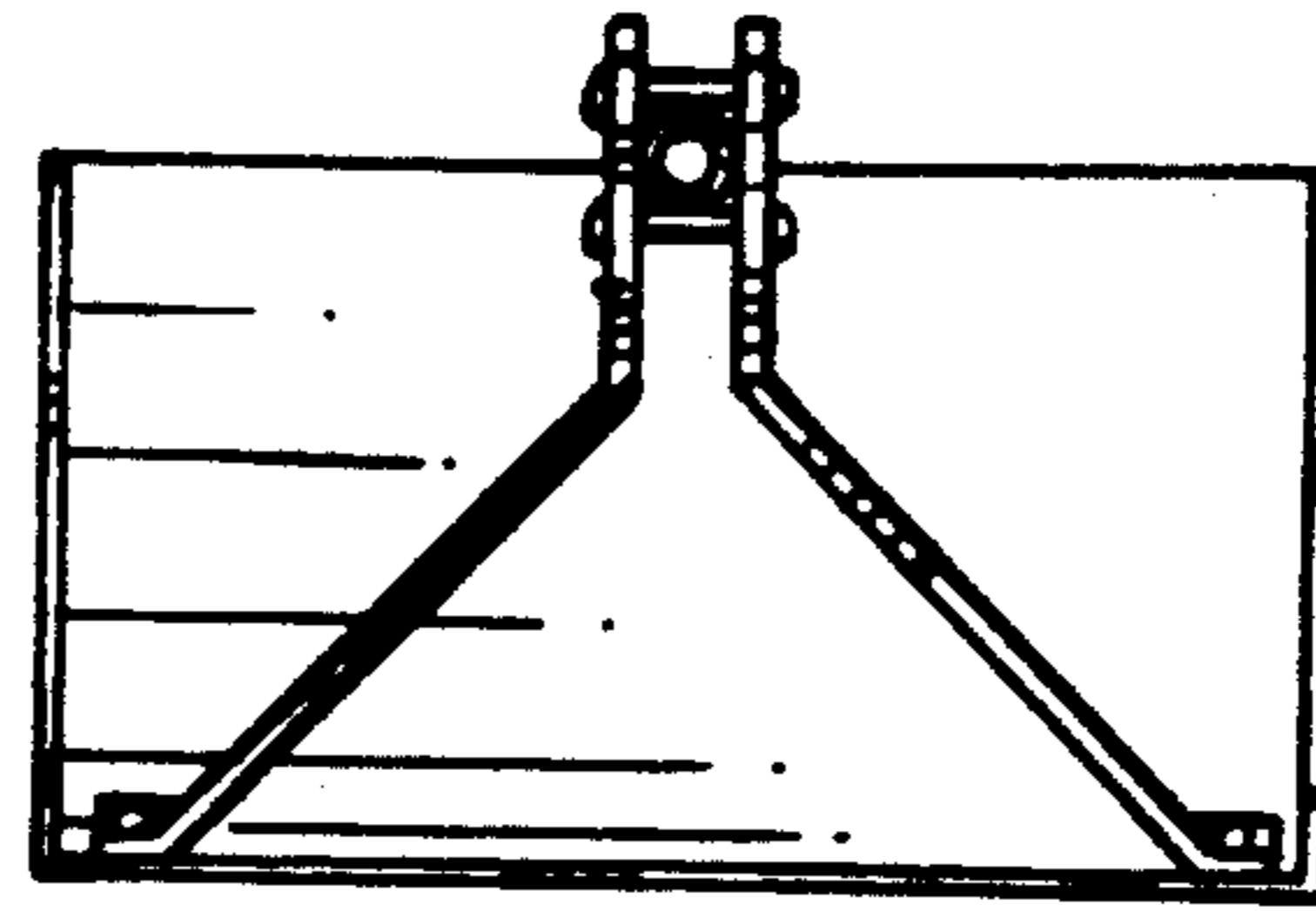


FIG.5

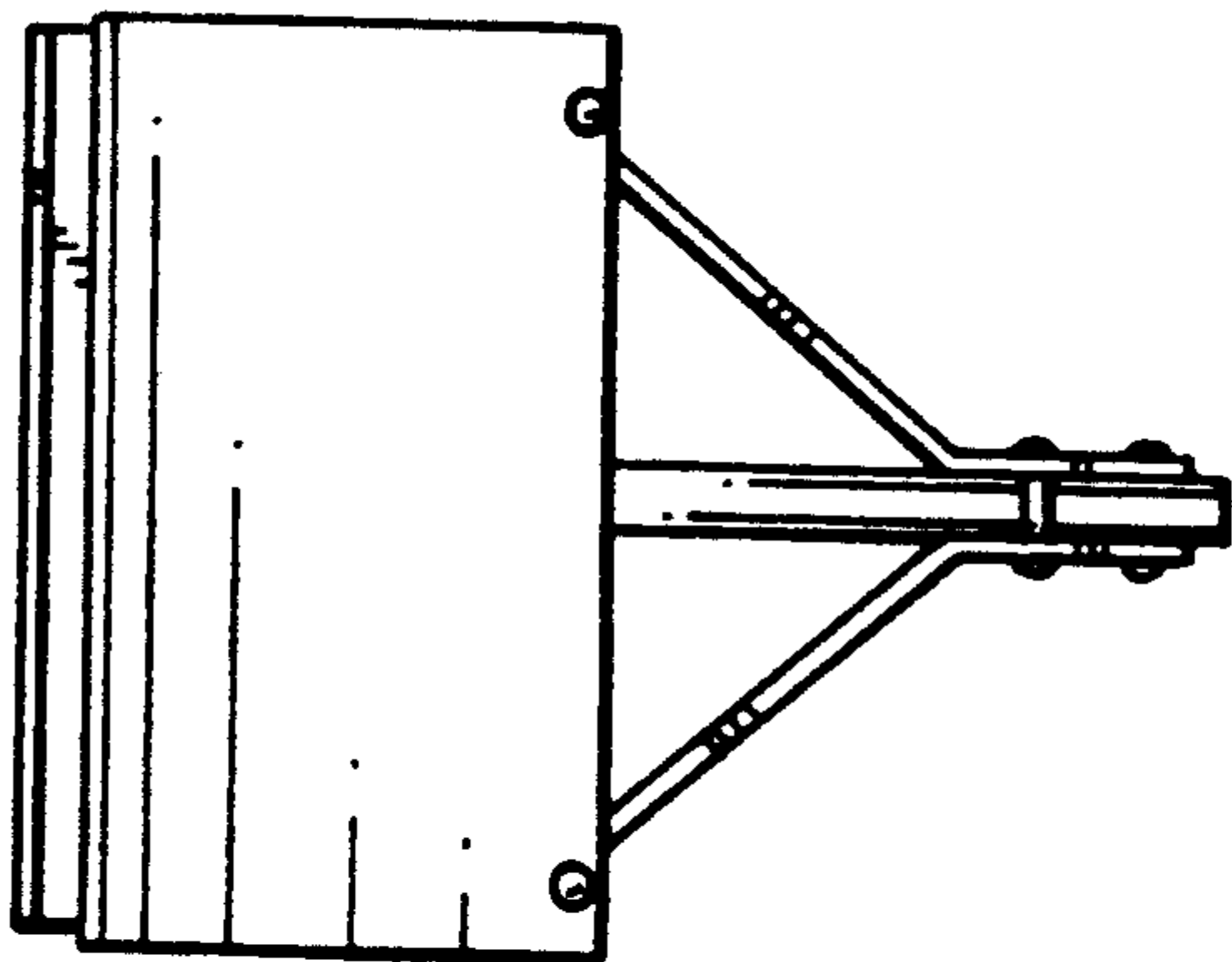


FIG.6

