



US00D345488S

United States Patent [19]

[11] Patent Number: **Des. 345,488**

Barnard et al.

[45] Date of Patent: **** Mar. 29, 1994**

[54] **COVER FOR A BLENDER**

[75] Inventors: **Frank P. Barnard; David Jennett,**
both of Olmsted Township,
Cuyahoga County, Ohio

[73] Assignee: **Vita-Mix Corporation,** Cleveland,
Ohio

[**] Term: **14 Years**

[21] Appl. No.: **862,252**

[22] Filed: **Apr. 1, 1992**

[52] U.S. Cl. **D7/412; D7/391;**
D7/387

[58] Field of Search **D7/376, 378, 391, 392,**
D7/413; 366/129, 130, 197, 144, 601, 199, 204,
205; 220/254

[56] **References Cited**

U.S. PATENT DOCUMENTS

D. 336,590 6/1993 Barnard D7/378
2,733,052 1/1956 Luther 220/254 X

OTHER PUBLICATIONS

Hamilton Beach, Inc., A Glen Dimplex Company,

Washington, N.C., 27889; undated instruction sheet, 1 page.

Oster Division of Sunbeam Corporation, Professional Products Dept., 5055 N. Lydell Ave., Milwaukee, Wis., 53217; 6 brochure pages; 1986.

Waring Commercial, 1 page brochure, undated.

Robot-Coupe, 1 page brochure, undated.

Vita-Mix Corporation, 8615 Usher Rd., Cleveland, Oh., 1 page brochure, 1991.

Primary Examiner—Alan P. Douglas

Assistant Examiner—Caron D. Veynar

Attorney, Agent, or Firm—Renner, Kenner, Grieve, Bobak, Taylor & Weber

[57] **CLAIM**

The ornamental design for a cover for a blender, as shown and described.

DESCRIPTION

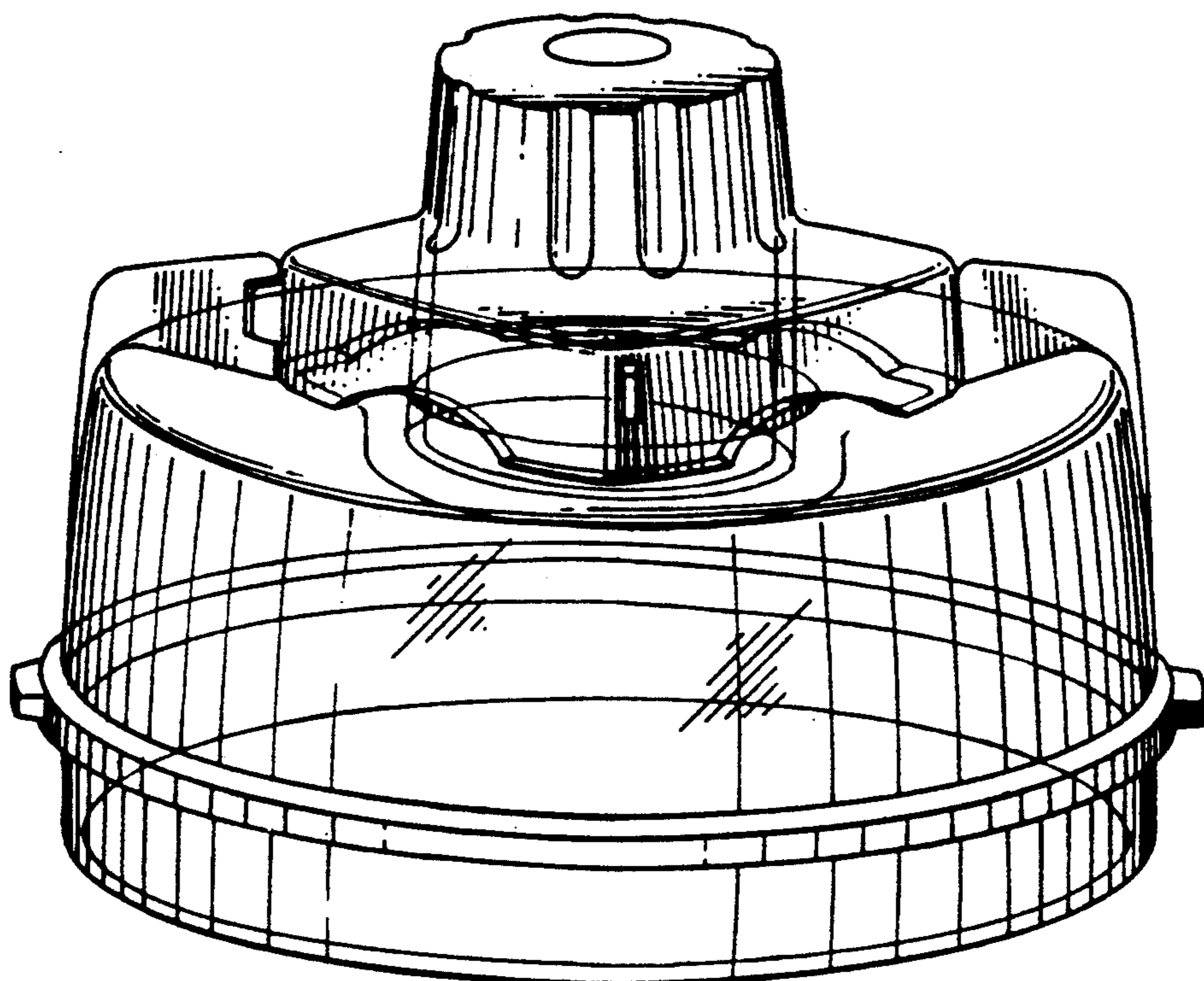
FIG. 1 is a perspective front view of a cover for a blender showing our new design, the perspective rear view being a mirror image thereof;

FIG. 2 is a front elevational view thereof, the rear elevational view being a mirror image thereof;

FIG. 3 is a right elevational view thereof, the left elevational view being a mirror image thereof;

FIG. 4 is a top plan view thereof; and,

FIG. 5 is a bottom plan view thereof.



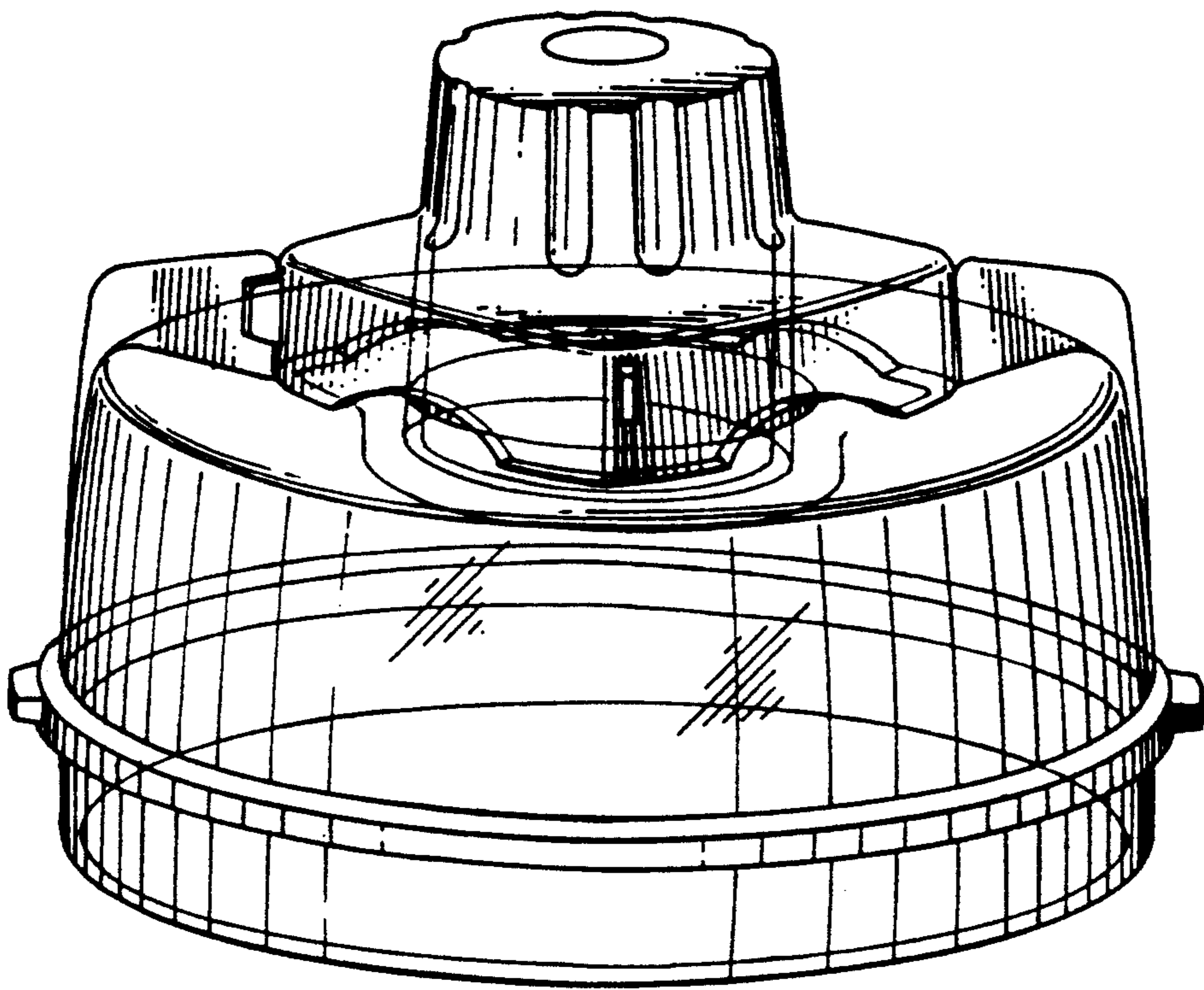


FIG.1

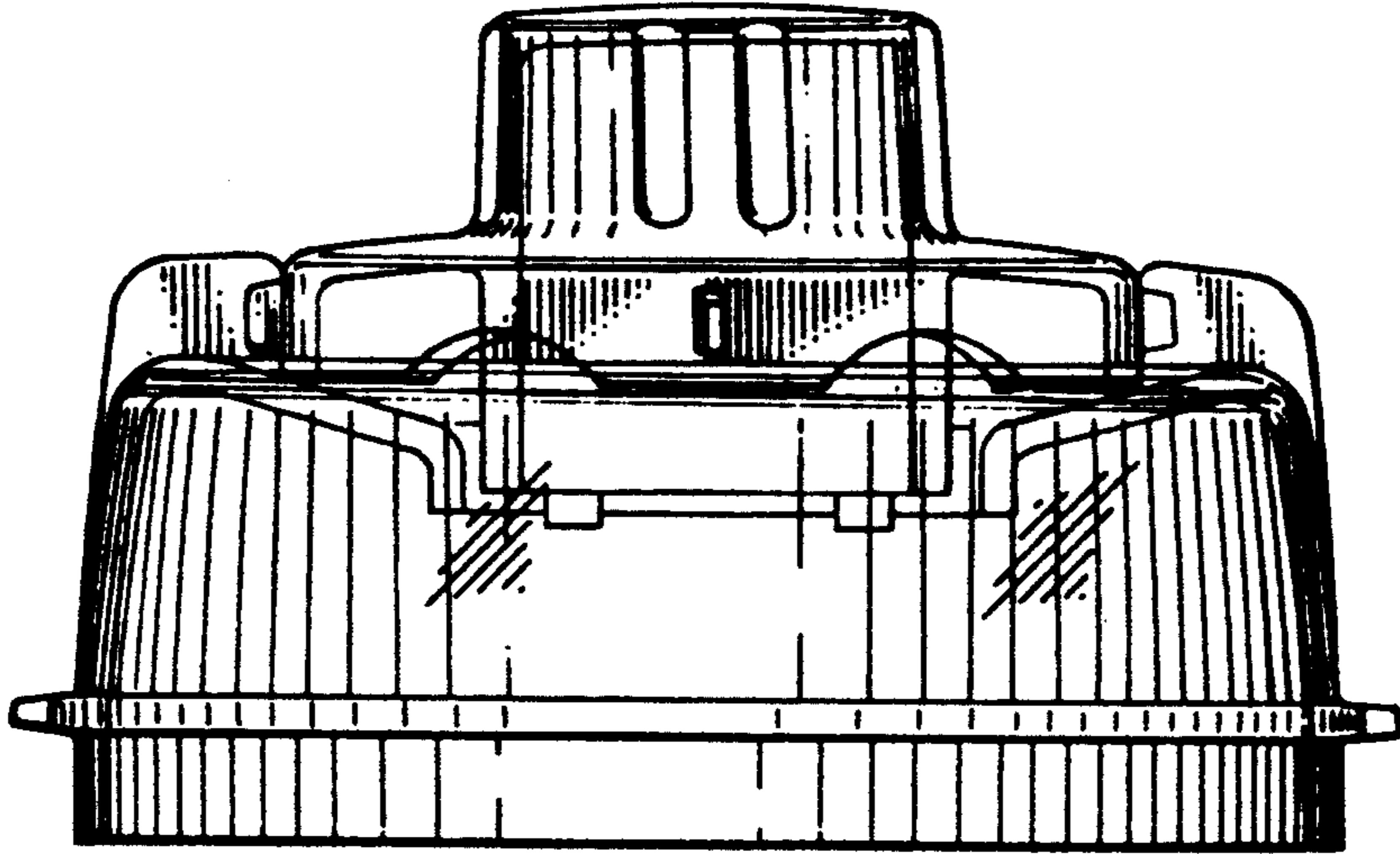


FIG. 2

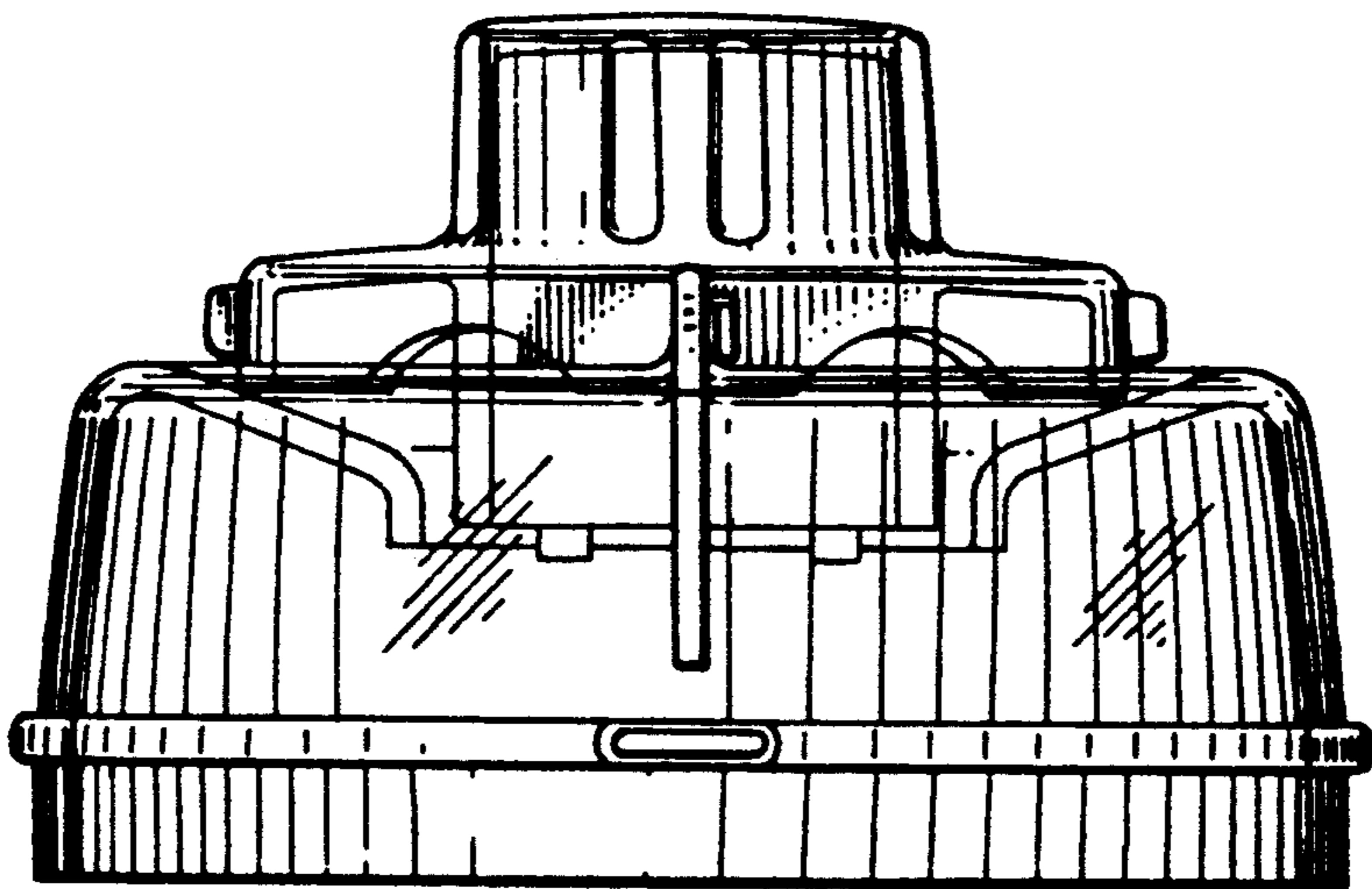


FIG. 3

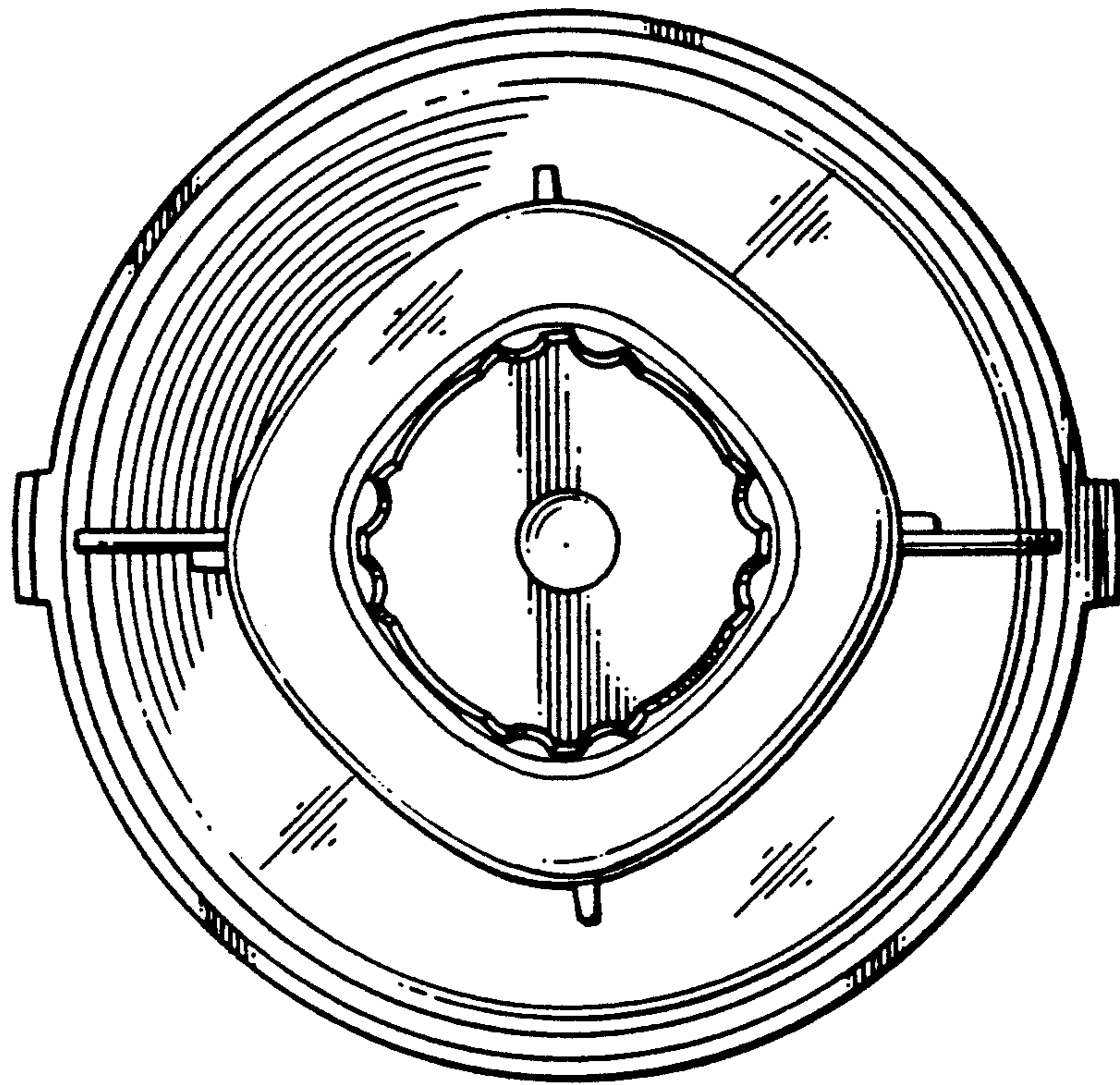


FIG. 4

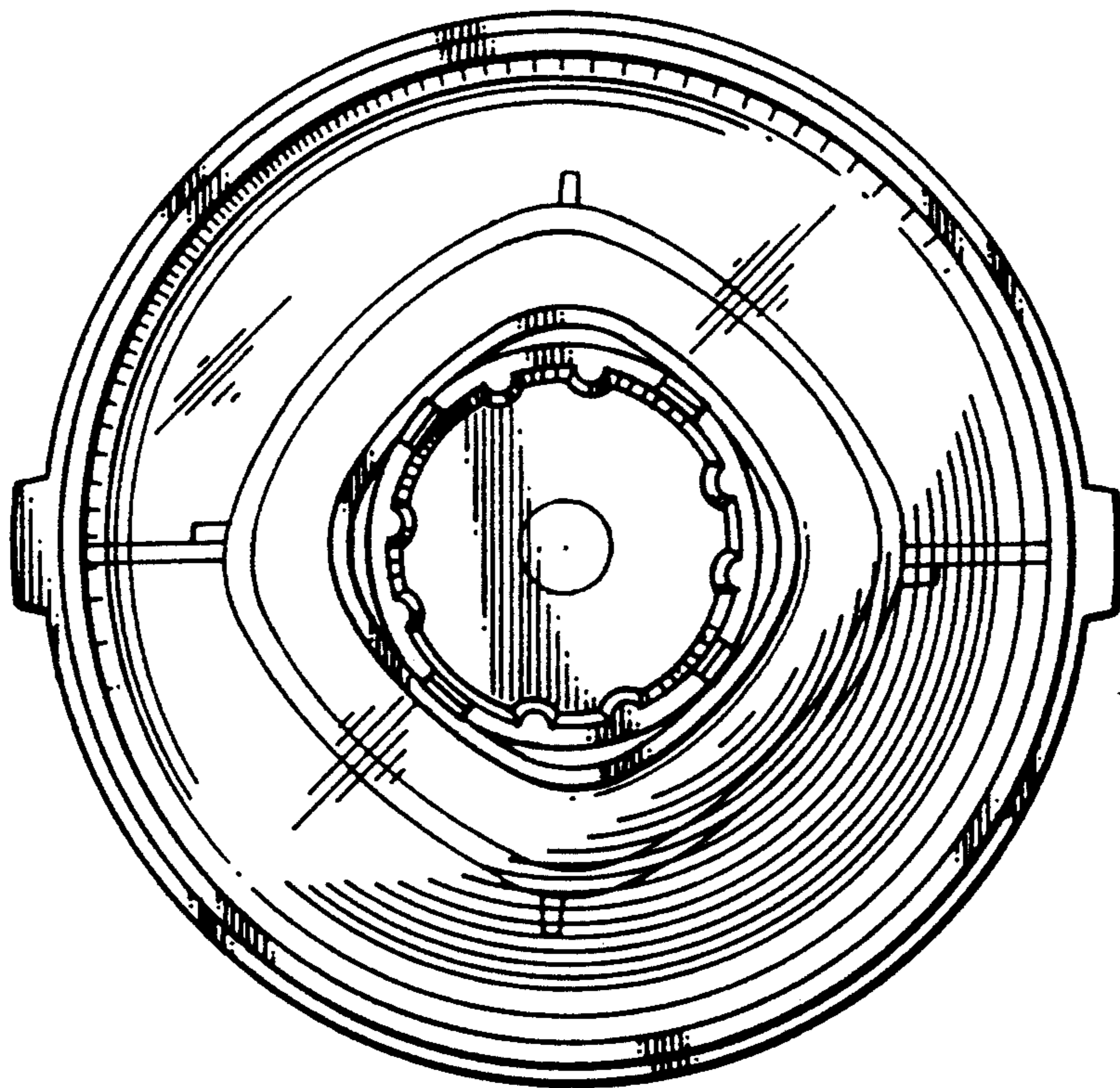


FIG. 5