



US00D345485S

United States Patent [19]

[11] Patent Number: **Des. 345,485**

Leung

[45] Date of Patent: **** Mar. 29, 1994**

[54] **COOKING VESSEL**

[75] Inventor: **Jhi H. Leung, Kowloon, Hong Kong**

[73] Assignee: **Star Industrial Co., Ltd., Hong Kong,**

[**] Term: **14 Years**

[21] Appl. No.: **781,354**

[22] Filed: **Oct. 25, 1991**

[30] **Foreign Application Priority Data**

Apr. 26, 1991 [GB]	United Kingdom	2014437
[52] U.S. Cl.		D7/360; D7/354
[58] Field of Search	D7/354, 356, 360, 391;	
	99/324, 325, 339, 345, 425, 426; 126/373;	
		220/912

[56] **References Cited**

U.S. PATENT DOCUMENTS

D. 160,649	10/1950	Muller-Munk	D7/391
D. 246,819	1/1978	Breger	D7/360 X
D. 256,761	9/1980	Martin et al.	D7/354
D. 329,570	9/1992	Gerlach	D7/354 X

OTHER PUBLICATIONS

IDG Brochure; Round Casserole right side of page.
 Industrial Design; May/Jun. 1978; p. 22; Versatile Steamer.
 Schöner Wohnen; Aug. 1980; p. 84 SW; Cookware top of page.

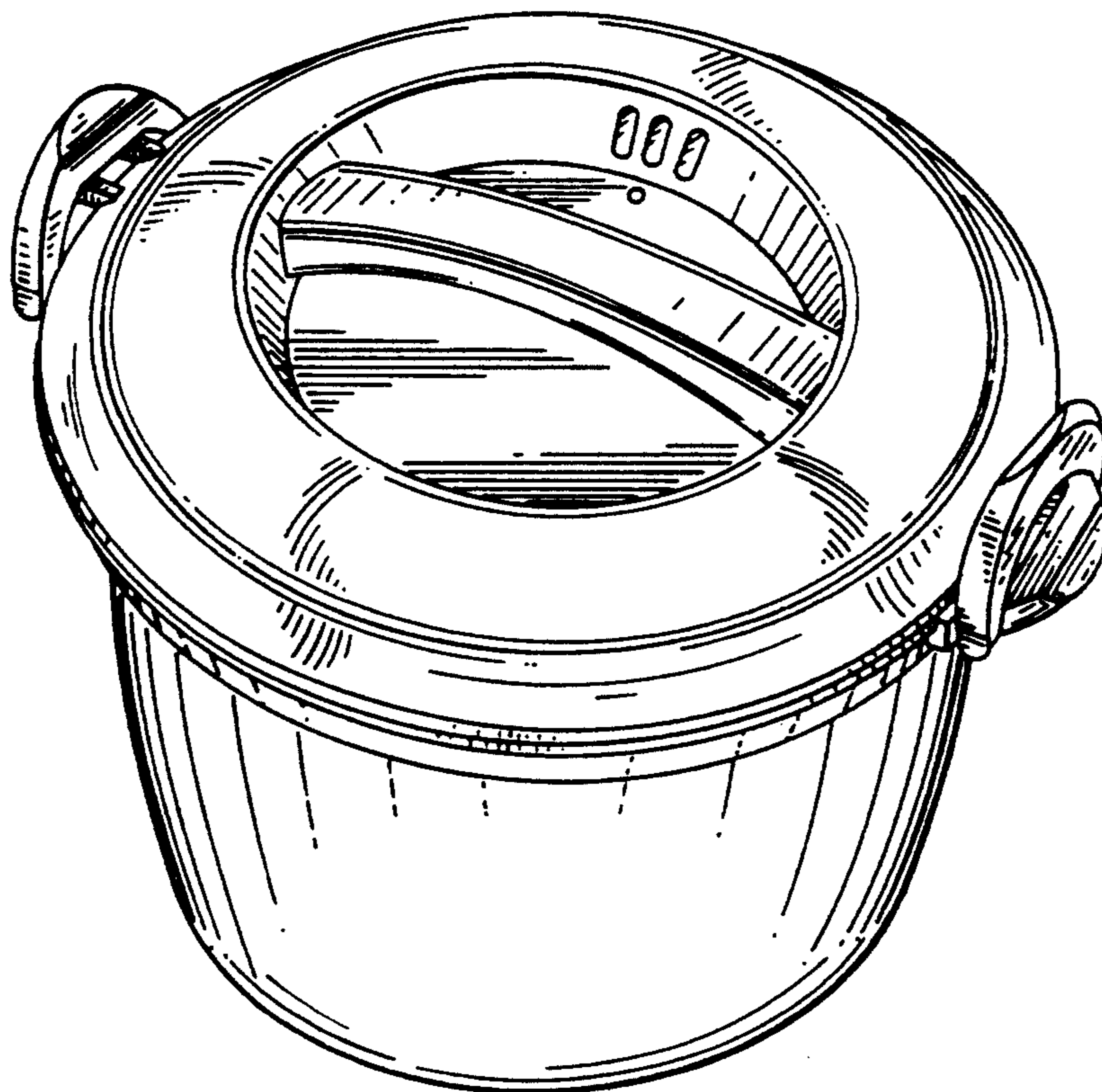
Primary Examiner—Alan P. Douglas
Assistant Examiner—Caron D. Veynar
Attorney, Agent, or Firm—Larson & Taylor

[57] **CLAIM**

The ornamental design for a cooking vessel, as shown and described.

DESCRIPTION

FIG. 1 is a front perspective view from one side of the present invention;
 FIG. 2 is a front elevational view, the rear elevational view being a mirror image thereof;
 FIG. 3 is a right side elevational view, the left side elevational view being a mirror image thereof;
 FIG. 4 is an exploded front perspective view thereof;
 FIG. 5 is a right side elevational view, the left side elevational view being a mirror image thereof;
 FIG. 6 is a front elevational view, the rear elevational view being a mirror image thereof;
 FIG. 7 is a top plan view thereof;
 FIG. 8 is a bottom plan view of the lid shown separately for ease of illustration;
 FIG. 9 is a side elevational view of the insert shown separately for ease of illustration, all other sides being identical;
 FIG. 10 is a top plan view thereof;
 FIG. 11 is a bottom plan view thereof;
 FIG. 12 is a top plan view of the vessel shown separately for ease of illustration; and,
 FIG. 13 is a bottom plan view thereof.



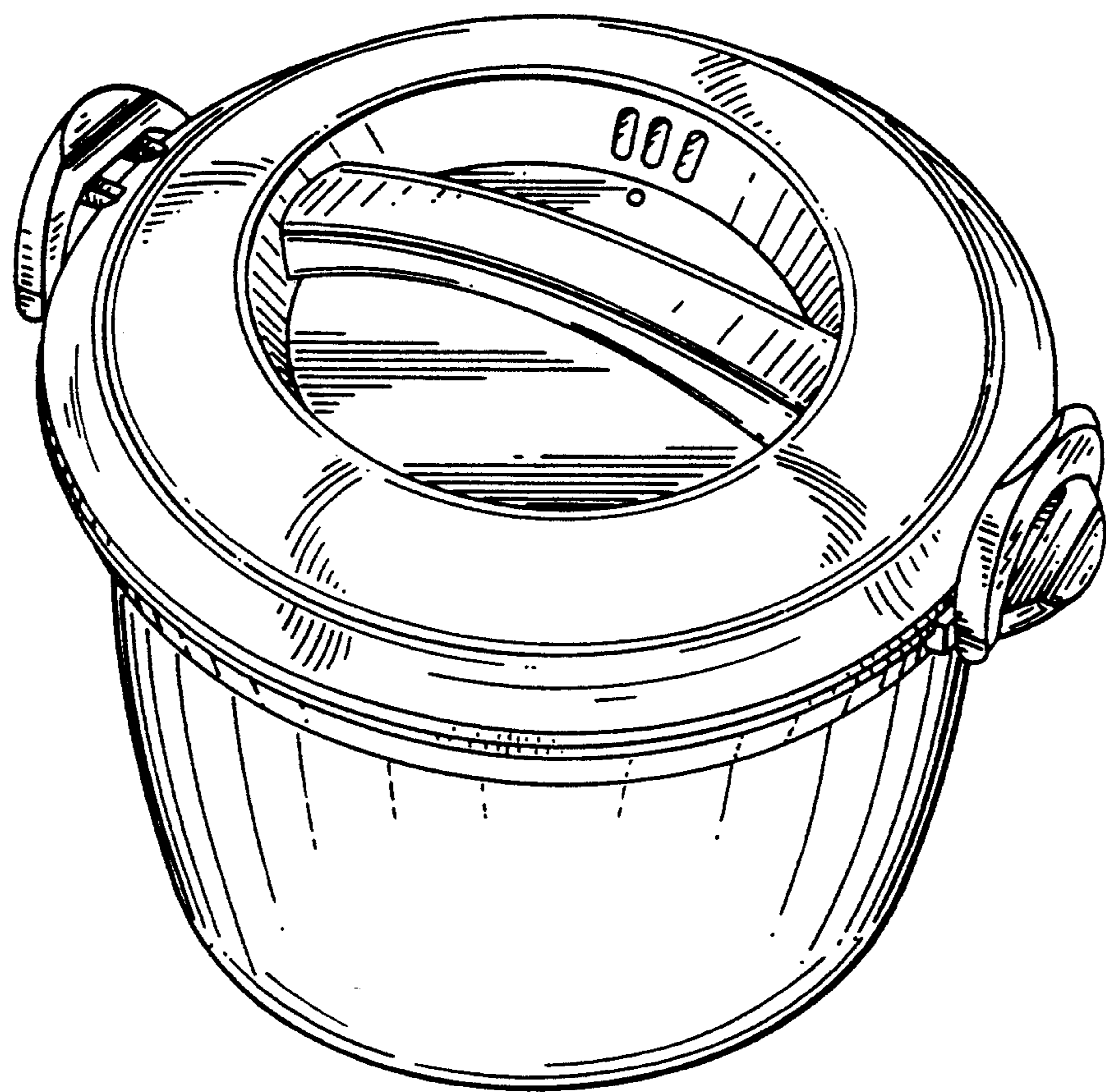


FIG. 1

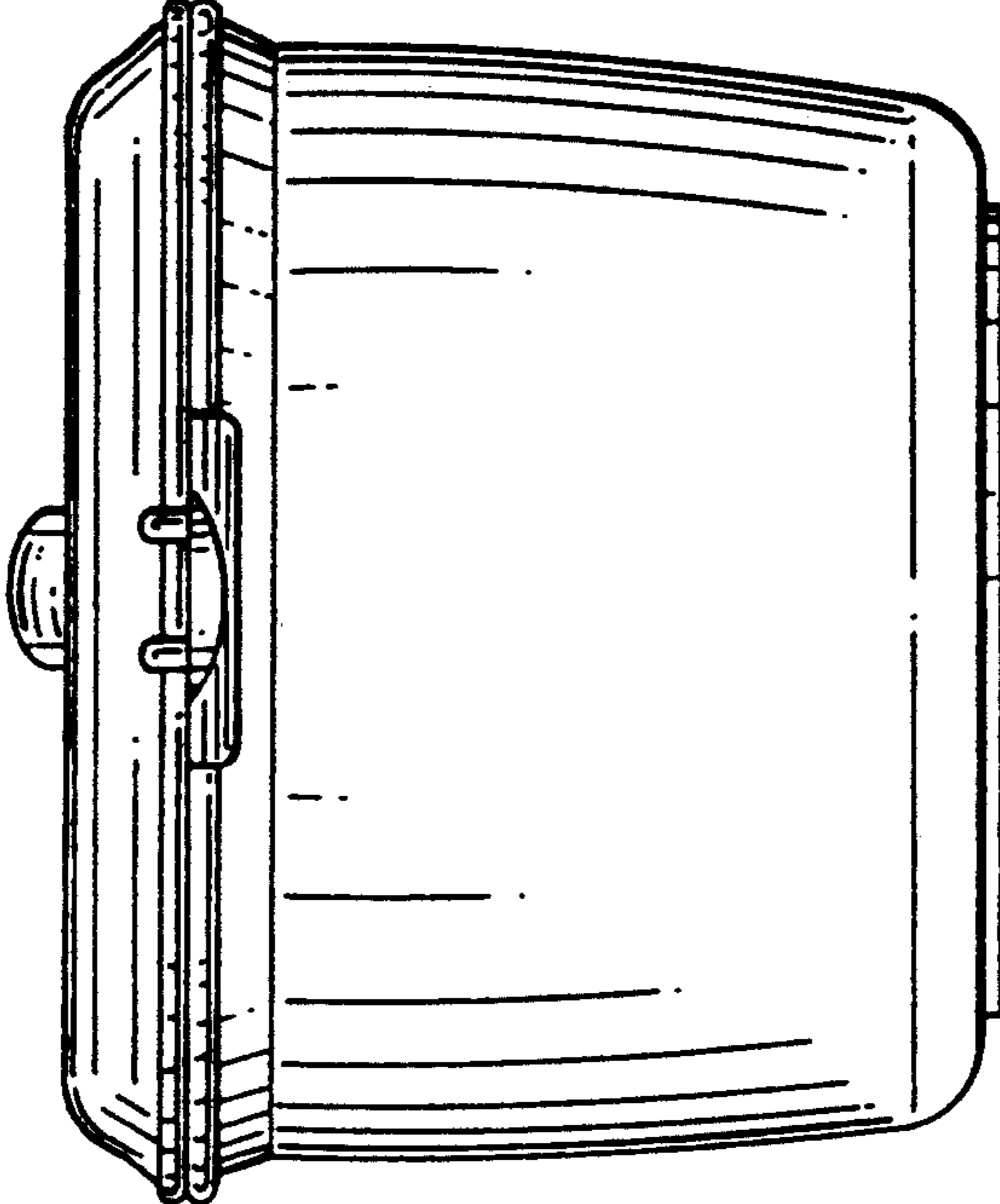


FIG. 3

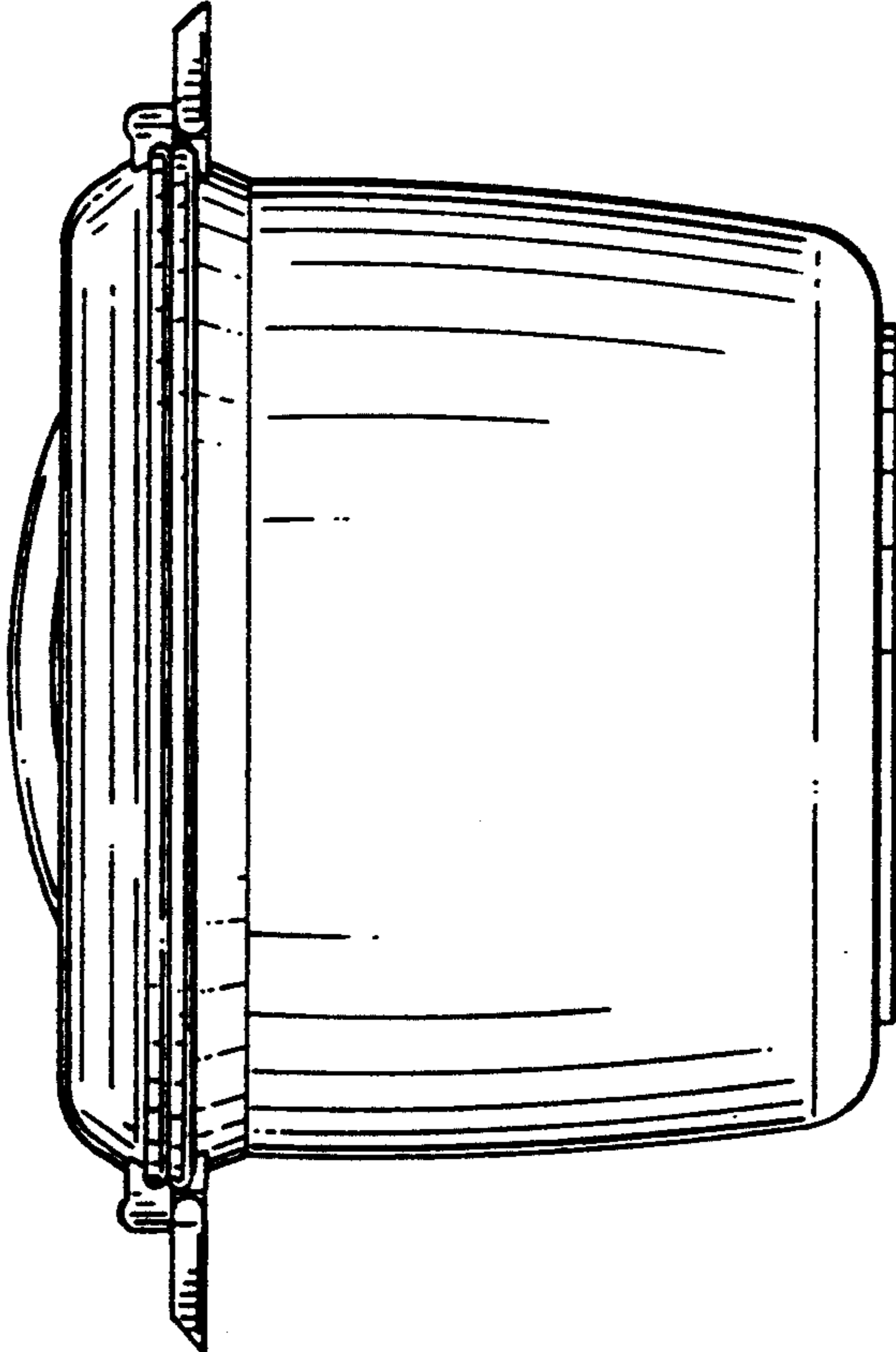


FIG. 2

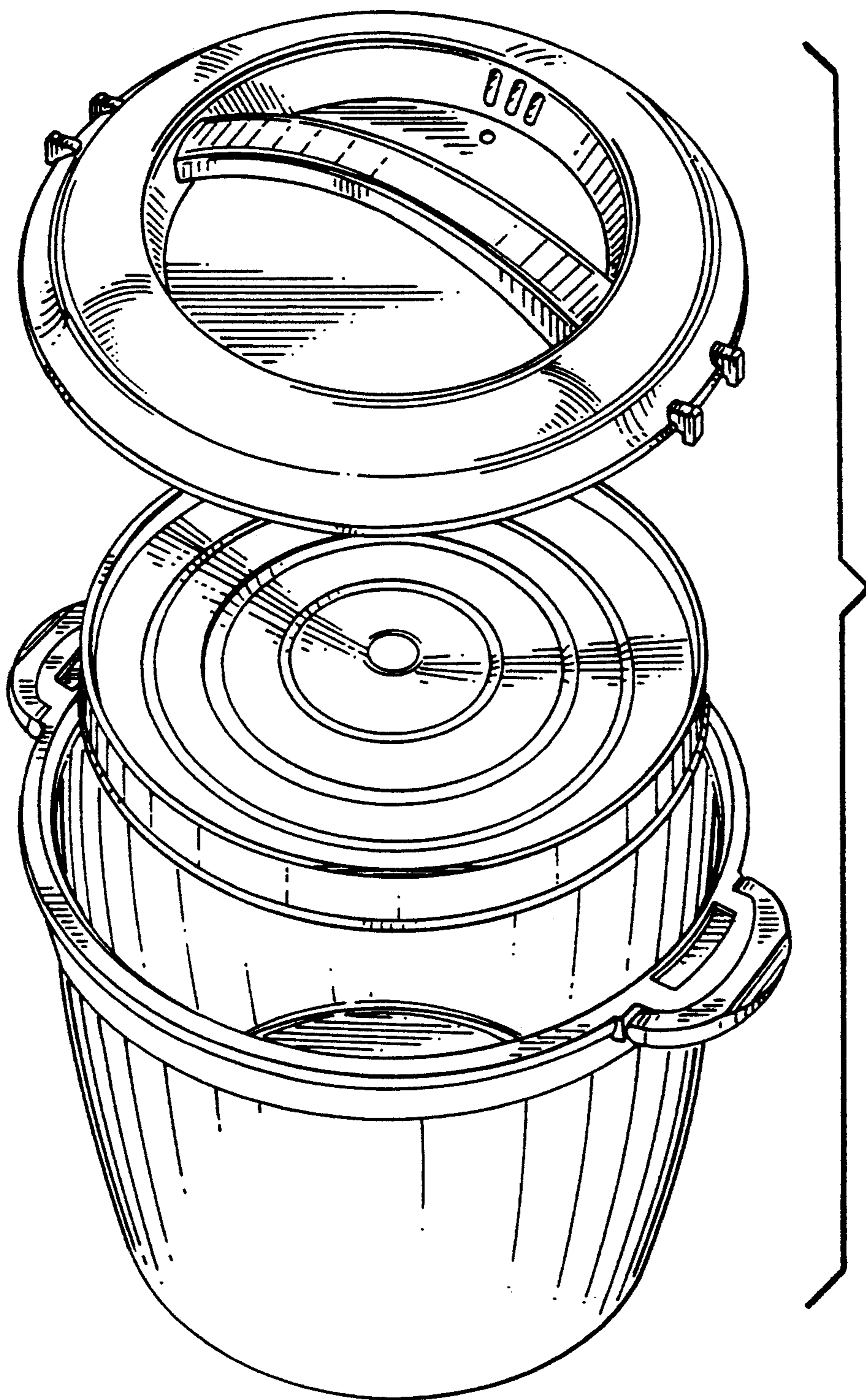


FIG. 4

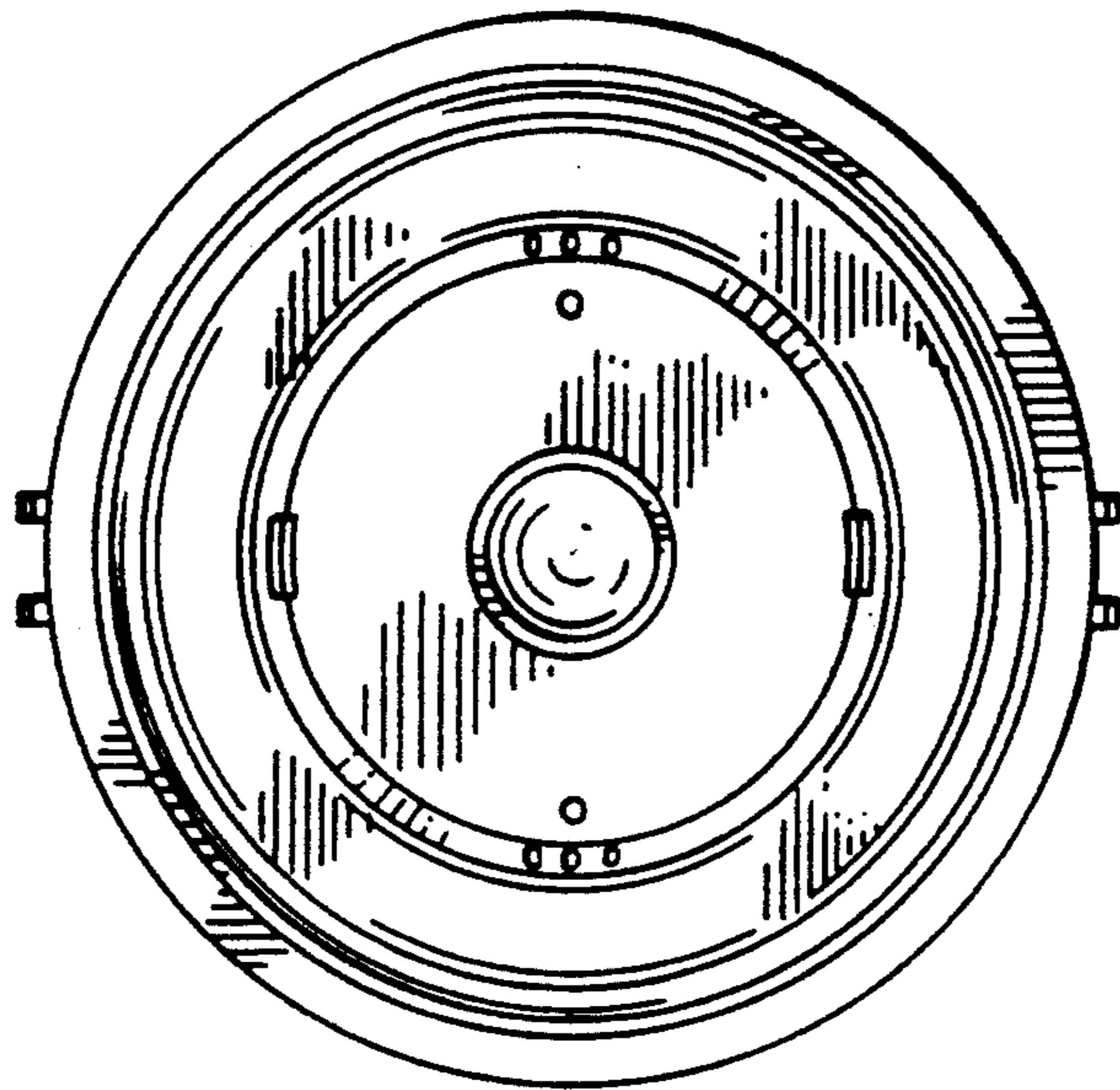


FIG. 8

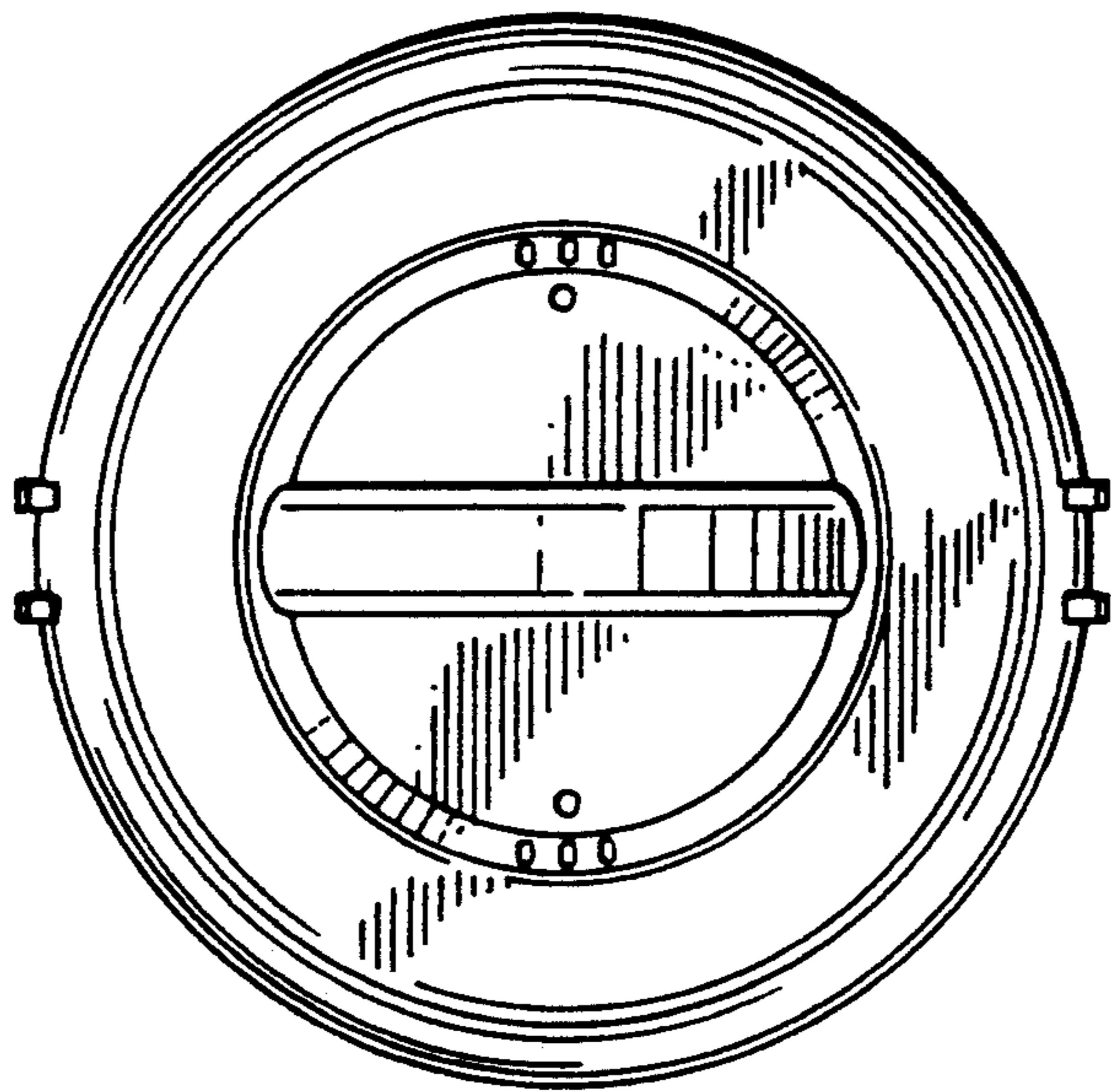


FIG. 6

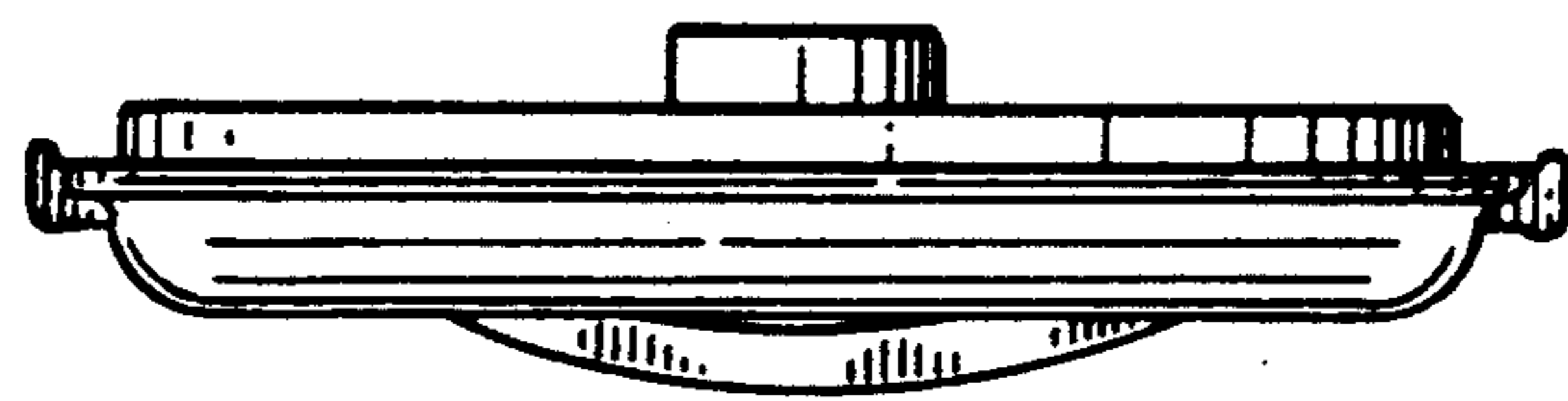
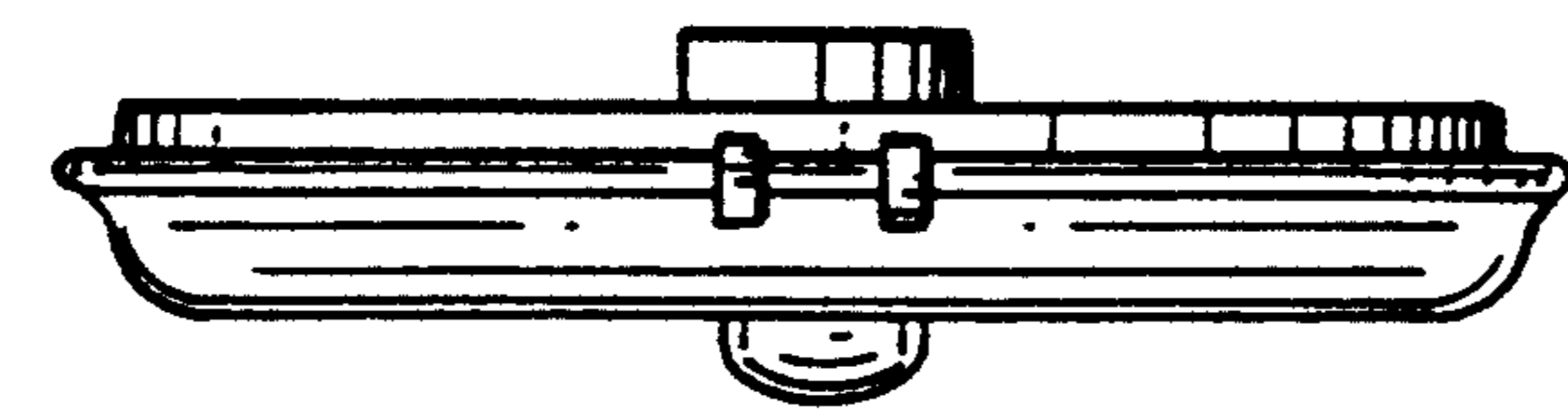


FIG. 5



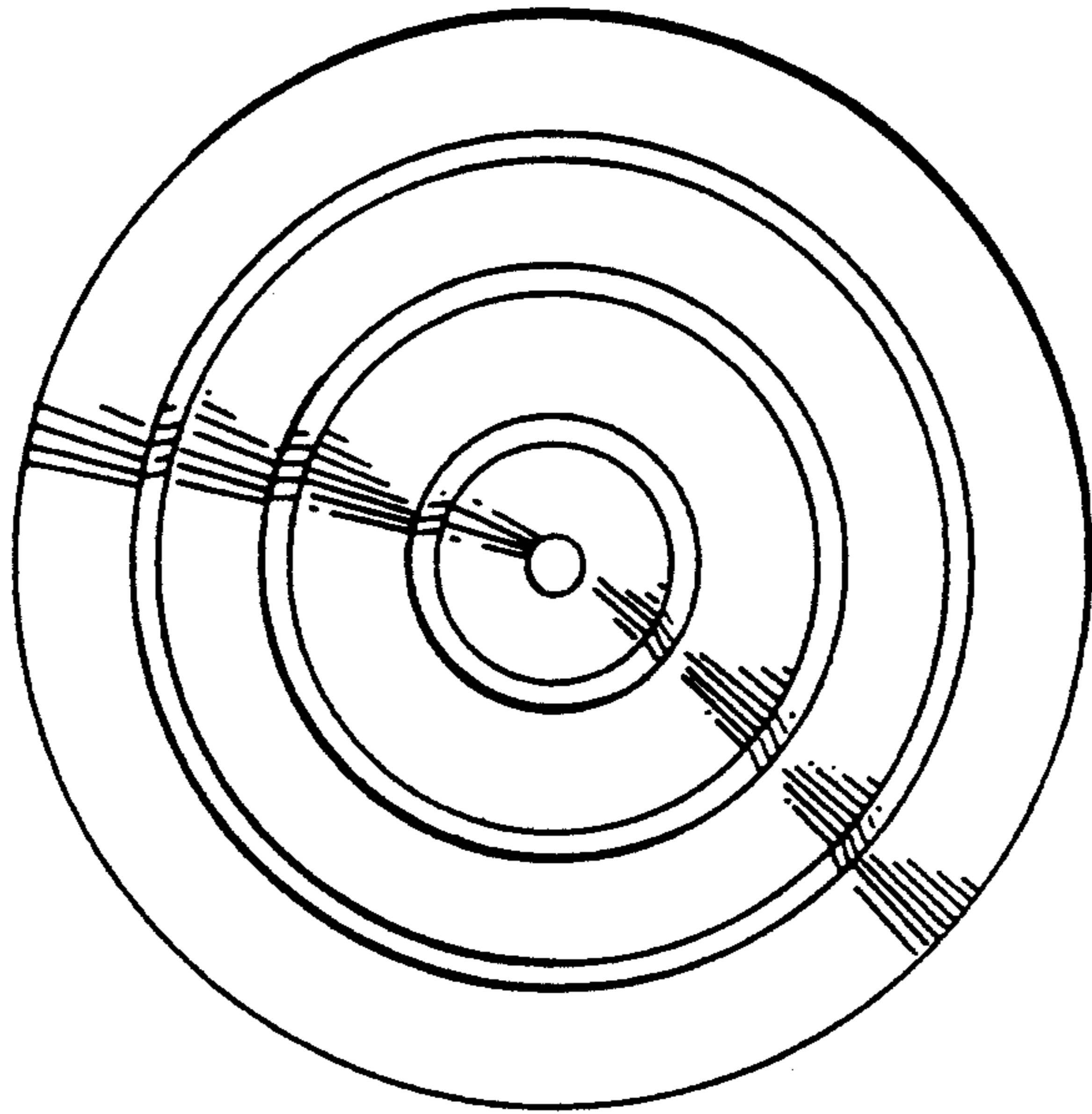


FIG. 11

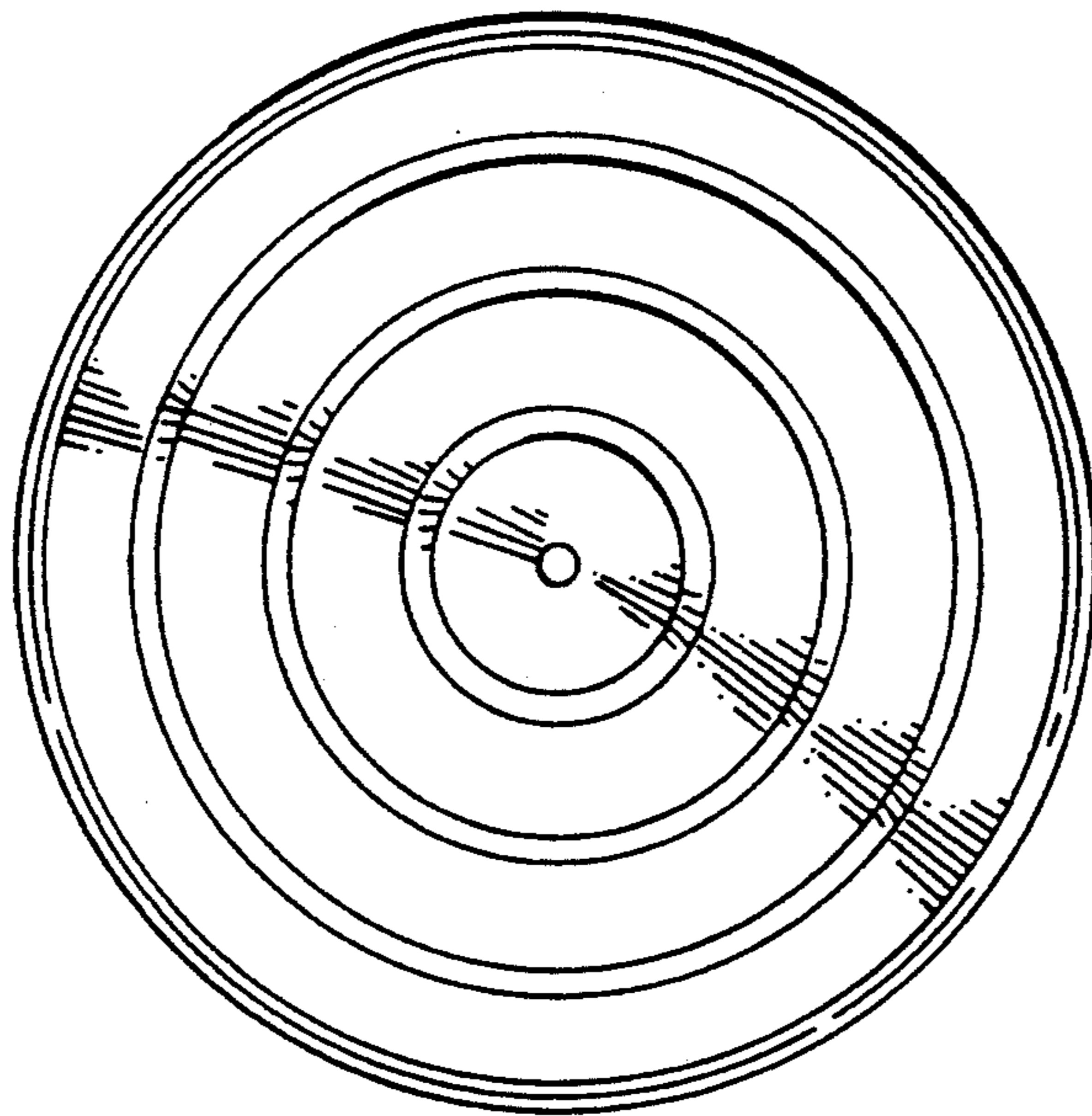


FIG. 10

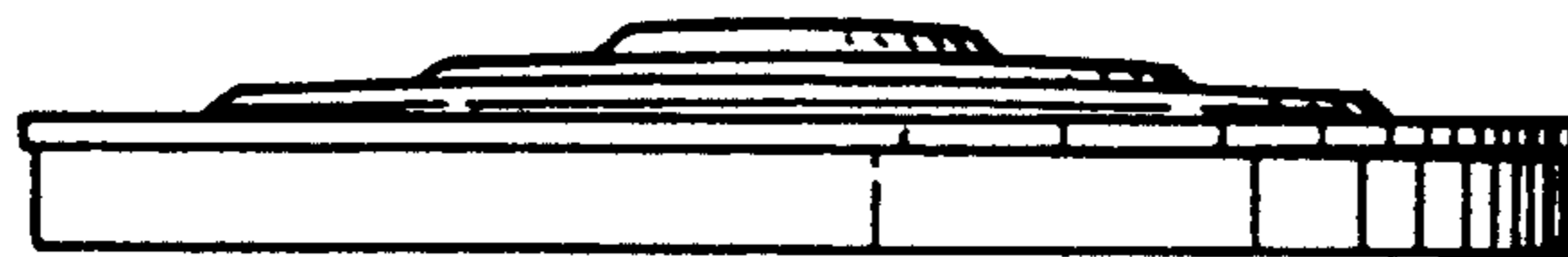


FIG. 9

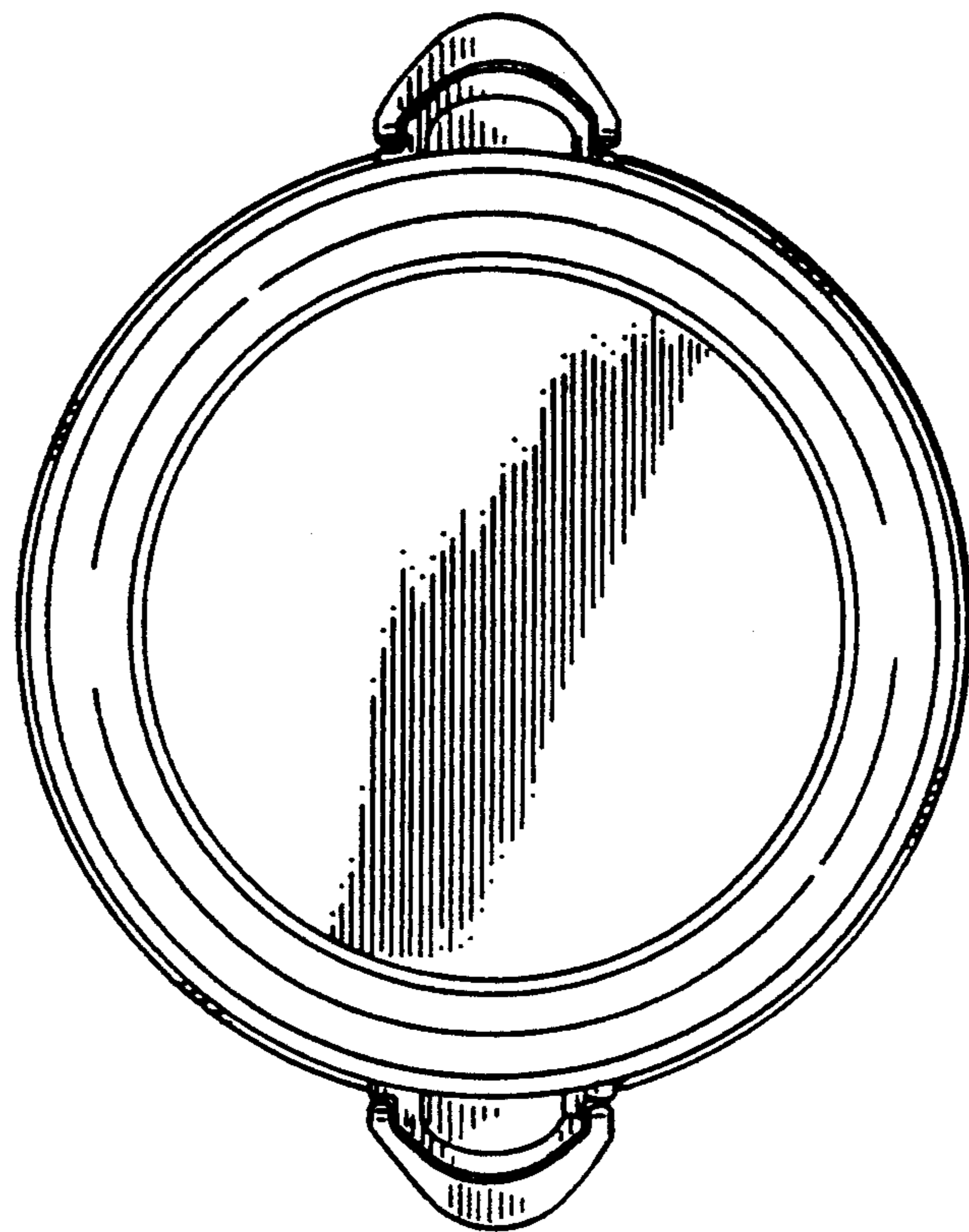


FIG. 13

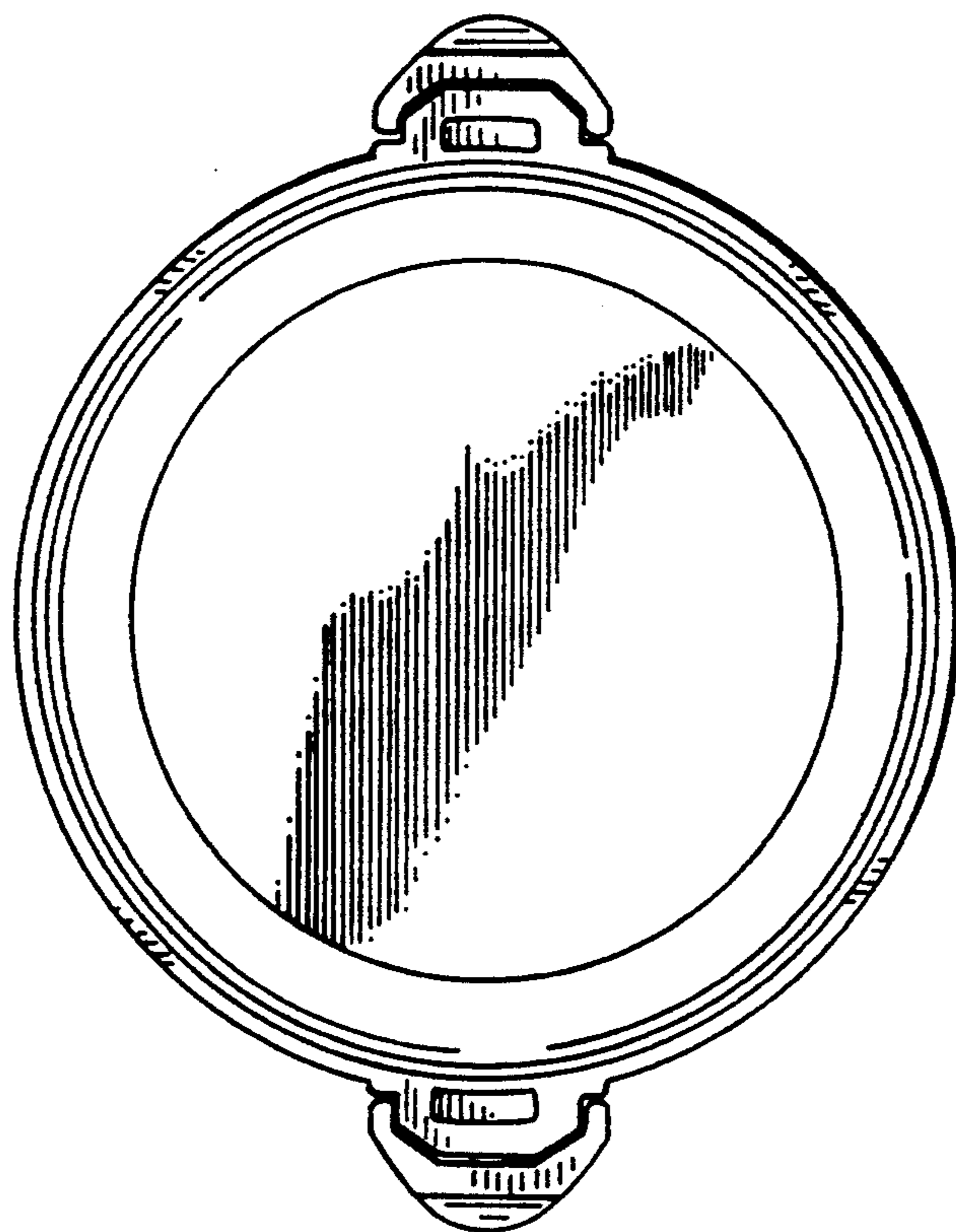


FIG. 12