



US00D345474S

# United States Patent [19]

[11] Patent Number: **Des. 345,474**

**Harris**

[45] Date of Patent: **\*\* Mar. 29, 1994**

[54] **COMBINED STORAGE AND RETRIEVAL UNIT FOR TV AND VCR REMOTE CONTROLS**

D. 334,676	4/1993	Liptak	.....	D6/476
4,660,792	4/1987	Rogalski	.....	248/174
4,712,693	12/1987	Striplin	.....	211/13
4,852,746	8/1989	Wells et al.	.....	211/13

[76] Inventor: **Ernest J. Harris**, 6345 Denny Ave. #4, North Hollywood, Calif. 91606

*Primary Examiner*—A. Hugo Word  
*Assistant Examiner*—Celia A. Murphy  
*Attorney, Agent, or Firm*—Albert O. Cota

[\*\*] Term: **14 Years**

[21] Appl. No.: **922,086**

[57] **CLAIM**

[22] Filed: **Jul. 31, 1992**

The ornamental design for a combined storage and retrieval unit for TV and VCR remote controls, as shown and described.

[52] U.S. Cl. .... **D6/467; D3/295**

[58] Field of Search ..... **D3/30.1, 35, 74; D6/407, 466, 467, 470, 475, 476, 478; D9/341; 211/13, 131; 248/174; D19/76**

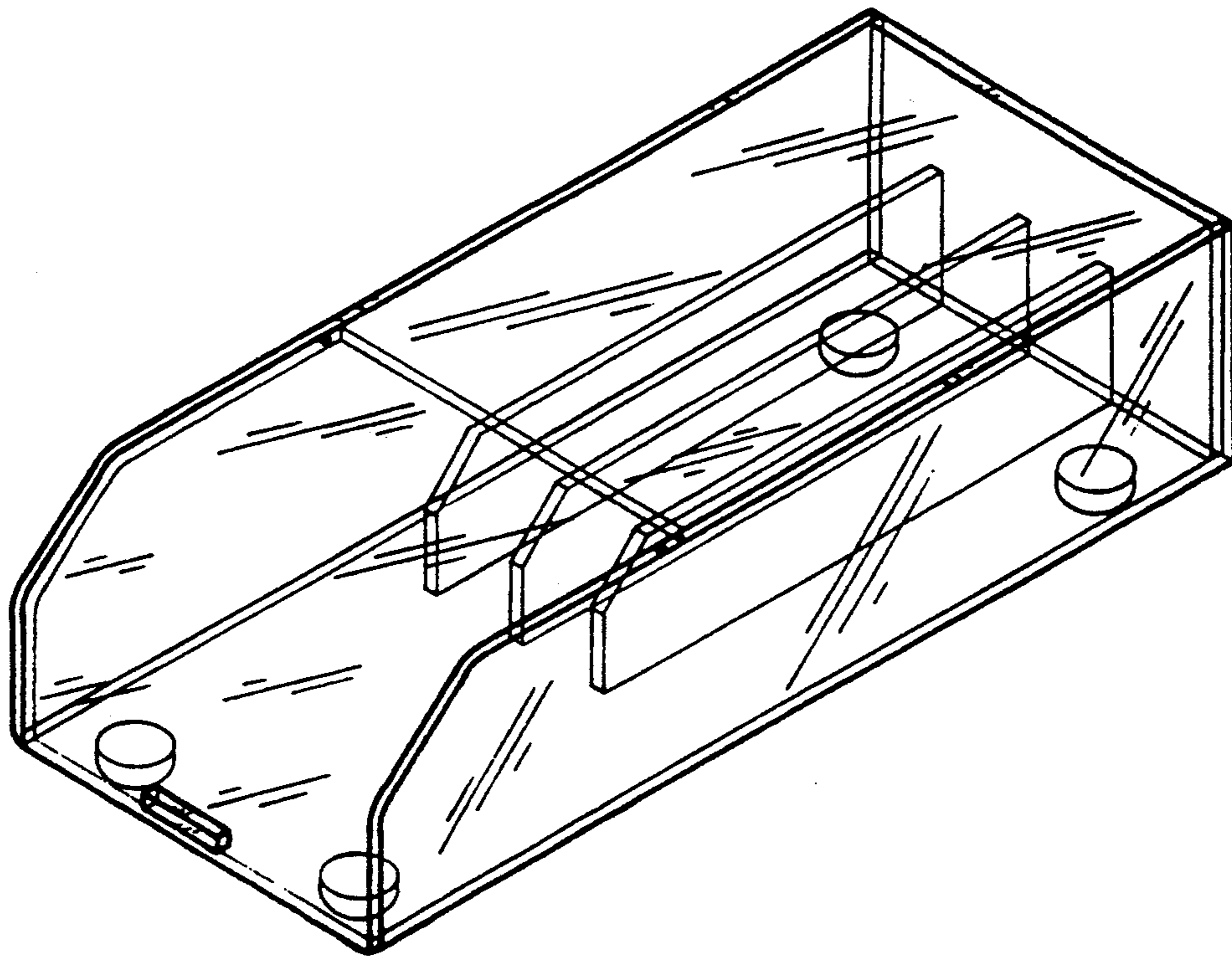
**DESCRIPTION**

[56] **References Cited**

**U.S. PATENT DOCUMENTS**

D. 116,804	9/1939	Pilliod	.....	D6/476
D. 248,140	6/1978	Comfort et al.	.....	D6/475
D. 278,495	4/1985	Rattner	.....	D6/470
D. 279,747	7/1985	Kellogg	.....	D6/467
D. 283,861	5/1986	Cantolino	.....	D6/475
D. 317,849	7/1991	Adams	.....	D9/341

FIG. 1 is a perspective view showing my new design for a combined storage and retrieval unit for TV and VCR remote controls;  
FIG. 2 is a front elevational view thereof;  
FIG. 3 is a top plan view thereof;  
FIG. 4 is a left elevational view thereof, the right side elevational view being a mirror image;  
FIG. 5 is a rear elevational view thereof; and,  
FIG. 6 is a bottom plan view thereof.



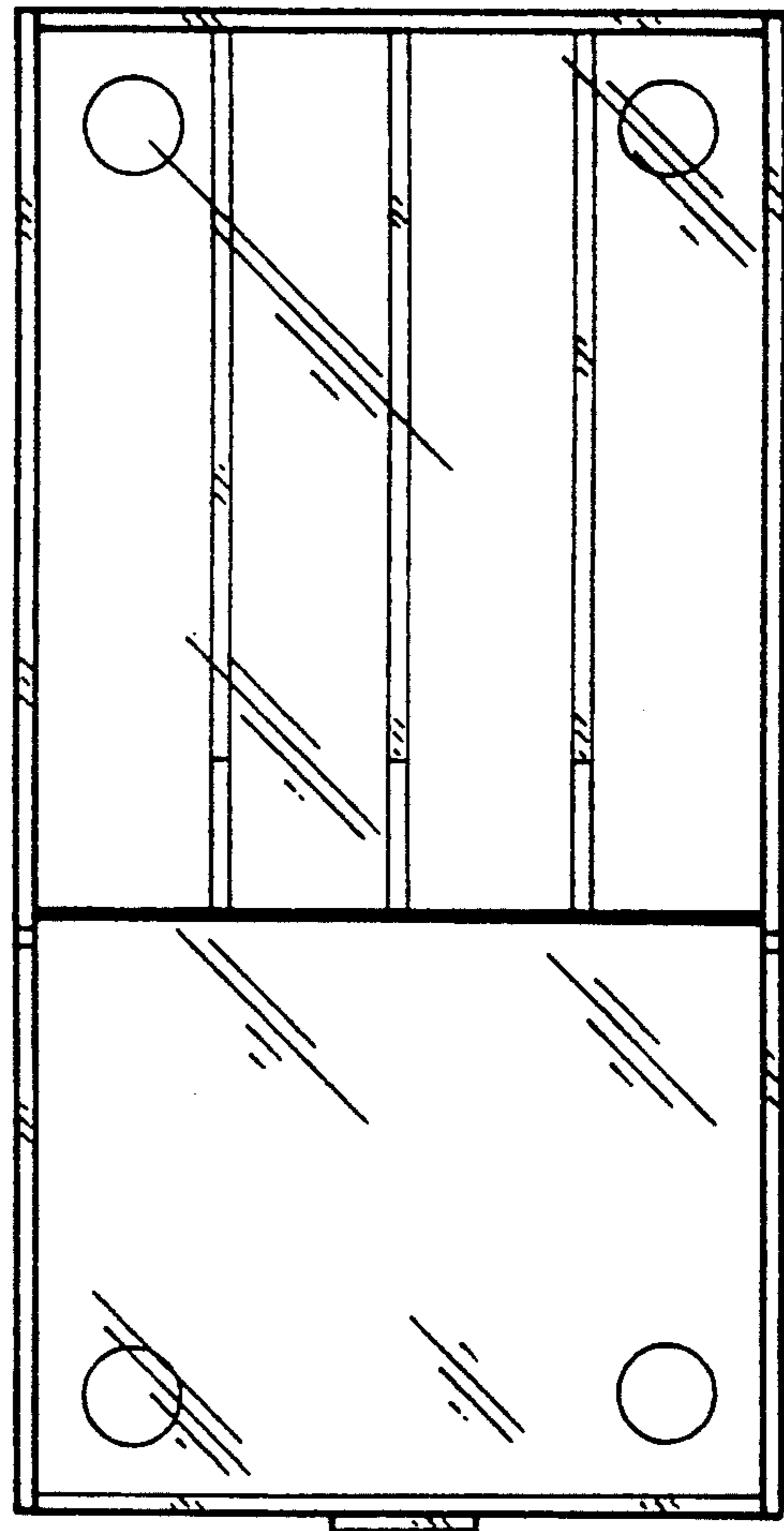
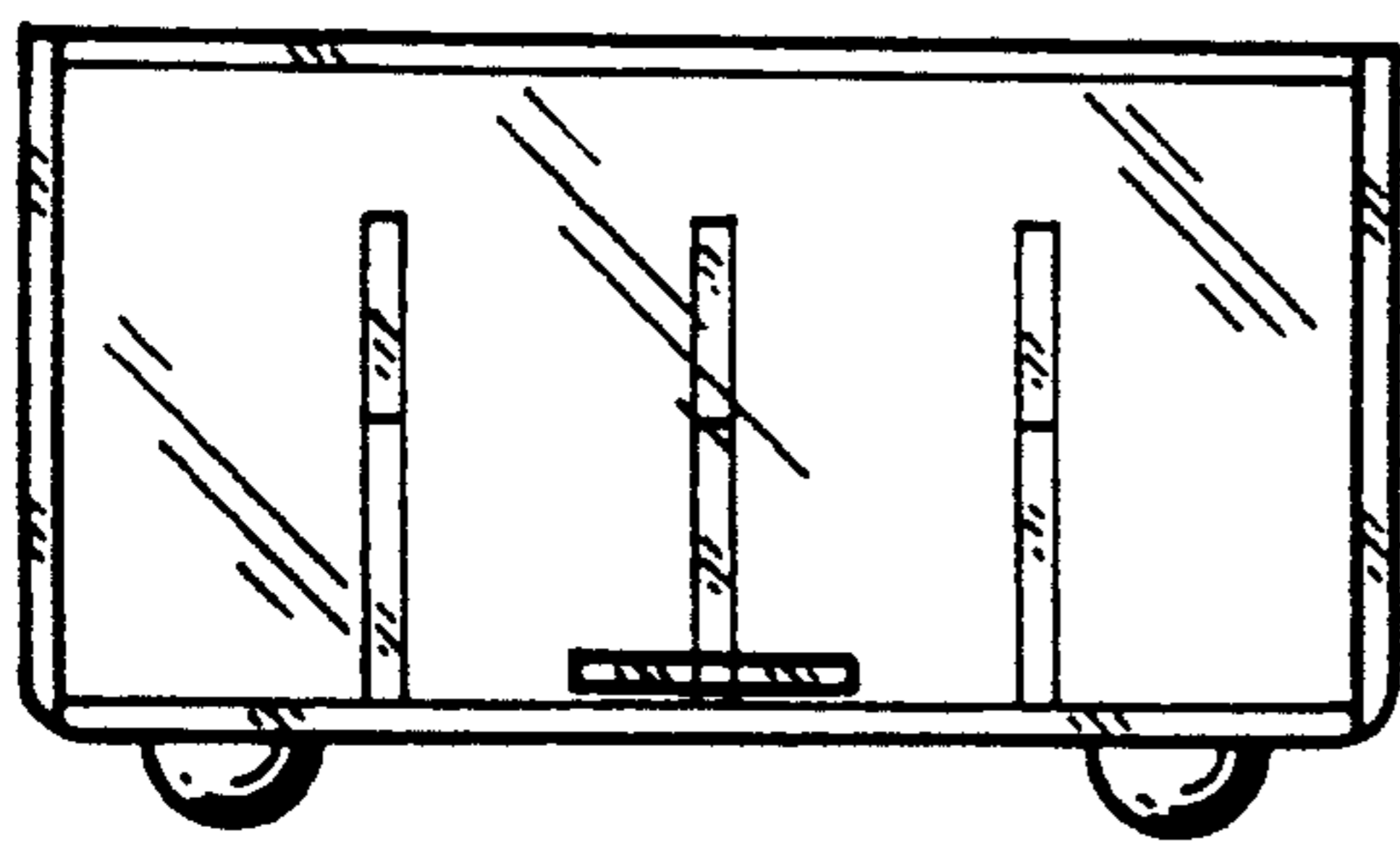
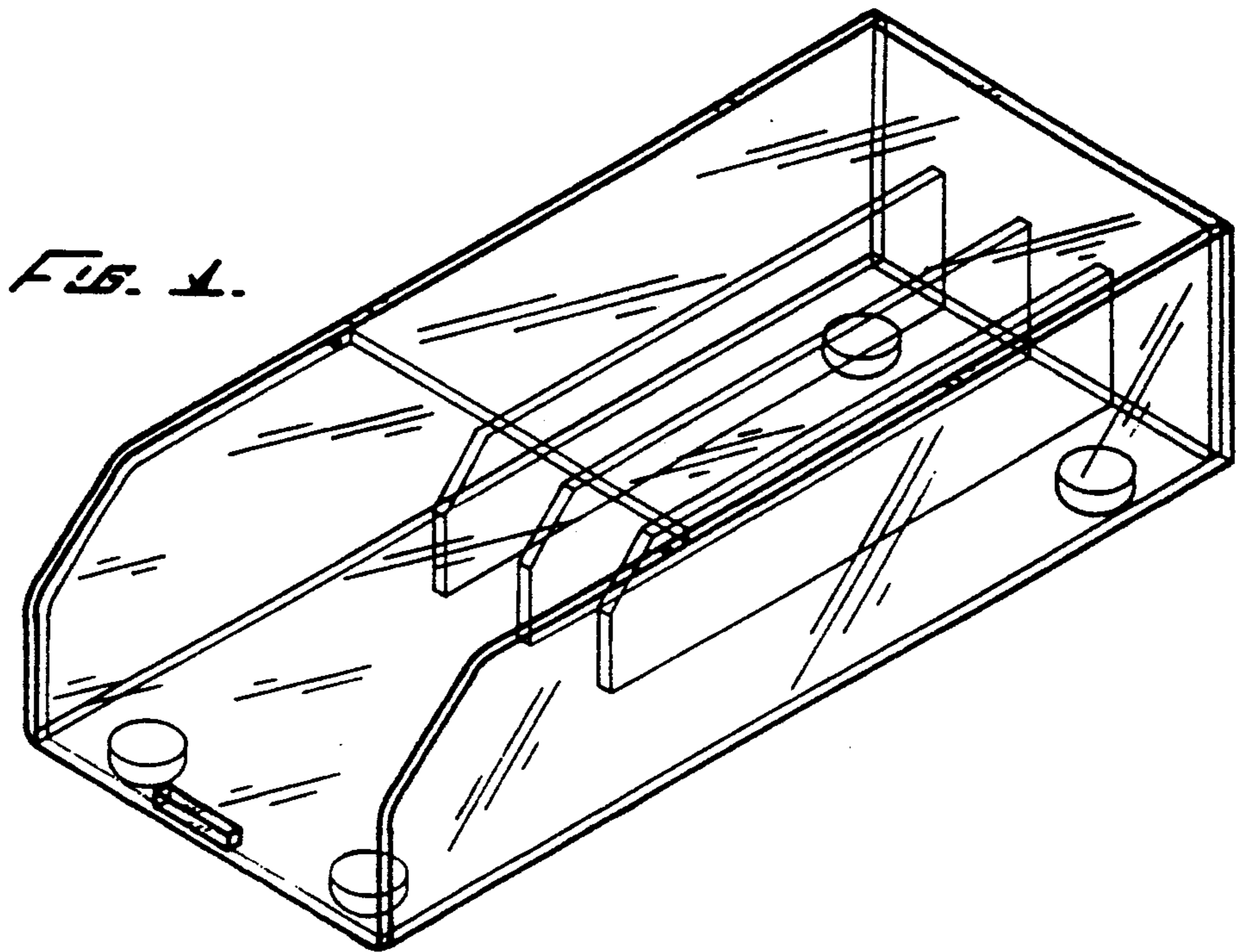


FIG. 4.

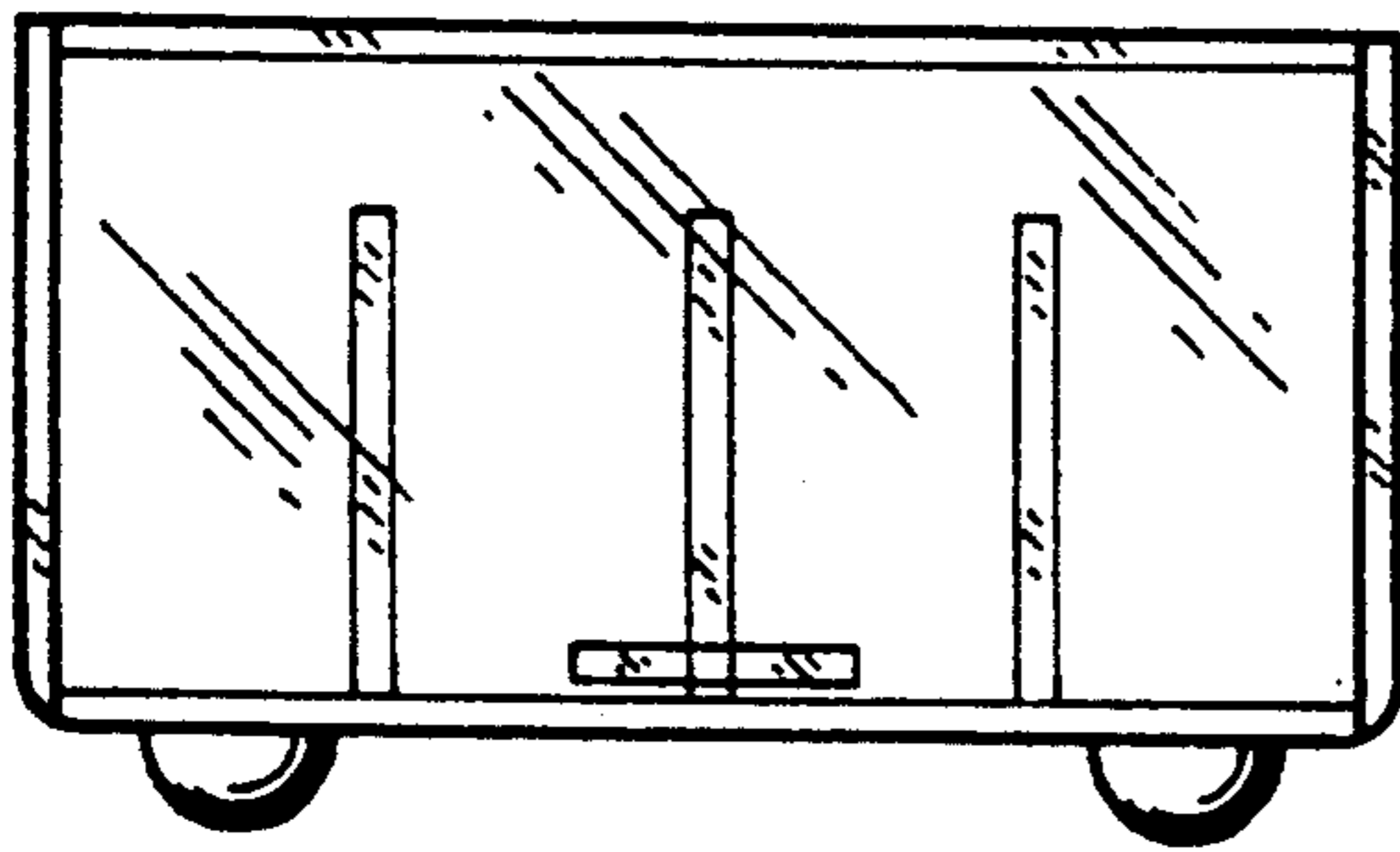
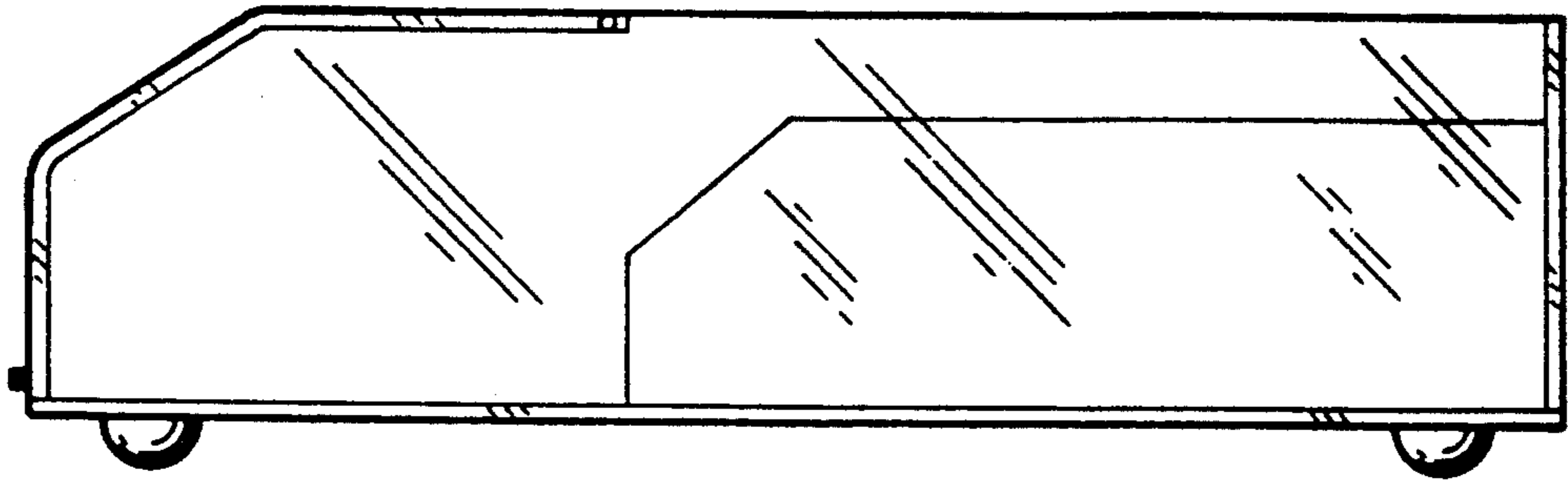


FIG. 5.

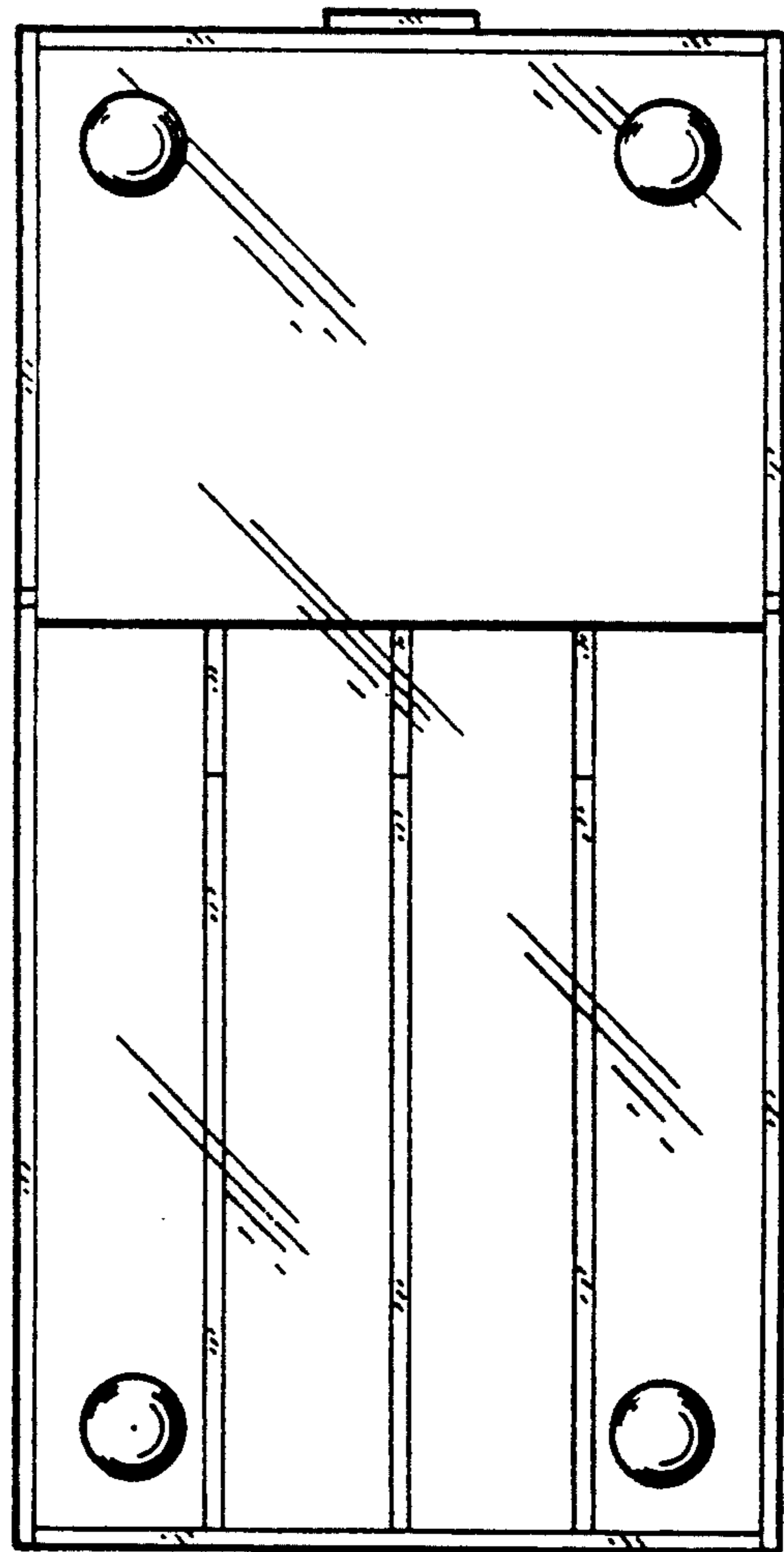


FIG. 6.