



US00D345472S

# United States Patent [19]

[11] Patent Number: **Des. 345,472**

Sheftel

[45] Date of Patent: **\*\* Mar. 29, 1994**

## [54] POWER TOOL STAND

[75] Inventor: **Steven J. Sheftel, Hingham, Mass.**

[73] Assignee: **Crawford Products, Inc., West Hanover, Mass.**

[\*\*] Term: **14 Years**

[21] Appl. No.: **809,319**

[22] Filed: **Dec. 18, 1991**

[52] U.S. Cl. .... **D6/429; D6/349; D6/487**

[58] Field of Search ..... **D6/480-489, D6/495, 496, 498, 499, 429, 400, 477, 479; 108/144, 146; 211/208**

## [56] References Cited

### U.S. PATENT DOCUMENTS

D. 166,048	2/1952	Rink	.....	D6/483
D. 254,281	2/1980	Kayfes	.....	D6/477 X
D. 279,731	7/1985	Ferdinand et al.	.....	D6/352
1,227,105	5/1917	Barnes	.....	211/208 X
1,838,352	12/1931	Anderson	.....	211/208 X
2,690,372	9/1954	Kelly	.....	108/92 X

## OTHER PUBLICATIONS

Jacopbs Gardner 1988, p. 51, item #F, top right.  
Thinline Catalog, p. 42 #2073-3529 bottom left.

*Primary Examiner*—Nelson C. Holtje

*Assistant Examiner*—J. E. Seeger

*Attorney, Agent, or Firm*—Samuels, Gauthier & Stevens

## [57] CLAIM

The ornamental design for a power tool stand, as shown and described.

## DESCRIPTION

FIG. 1 is a side perspective view of a power tool stand showing my new design;

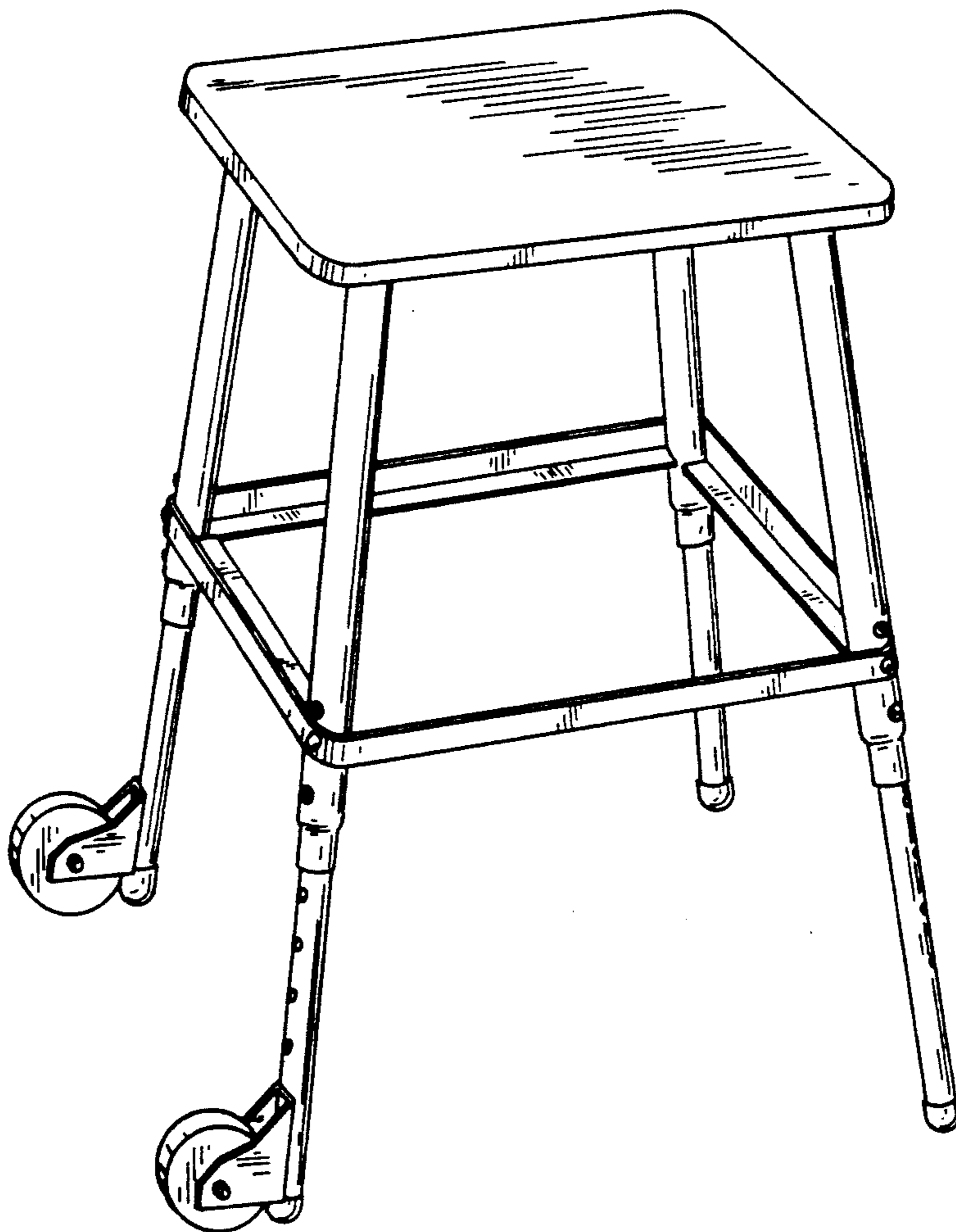
FIG. 2 is a side plan view thereof (looking from the front face in FIG. 1);

FIG. 3 is a top perspective view thereof;

FIG. 4 is a side elevational view thereof (looking from the left face to the right face in FIG. 1);

FIG. 5 is a side elevational view thereof (looking from the right face to the left face in FIG. 1); and,

FIG. 6 is a bottom perspective view thereof.



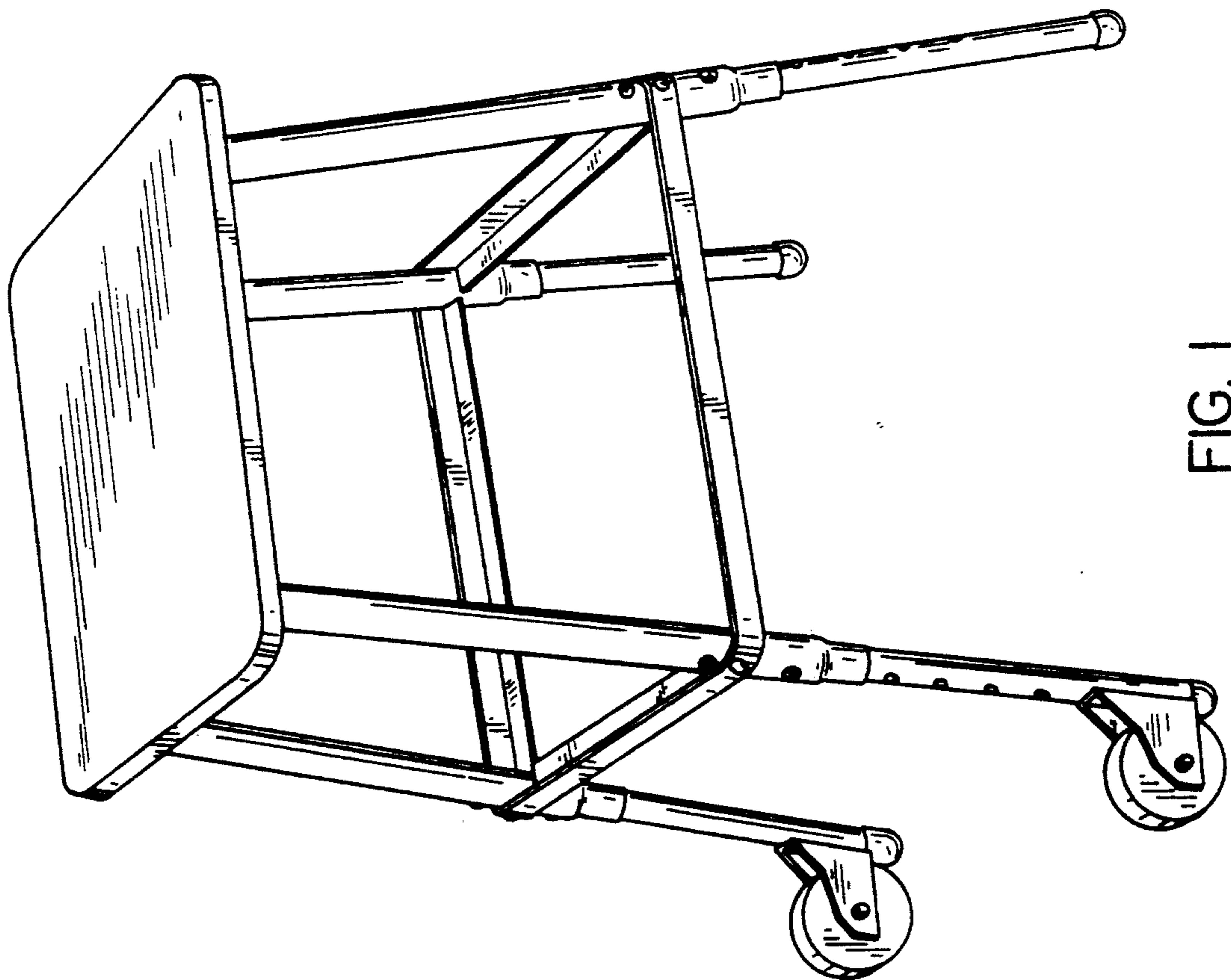


FIG. 1

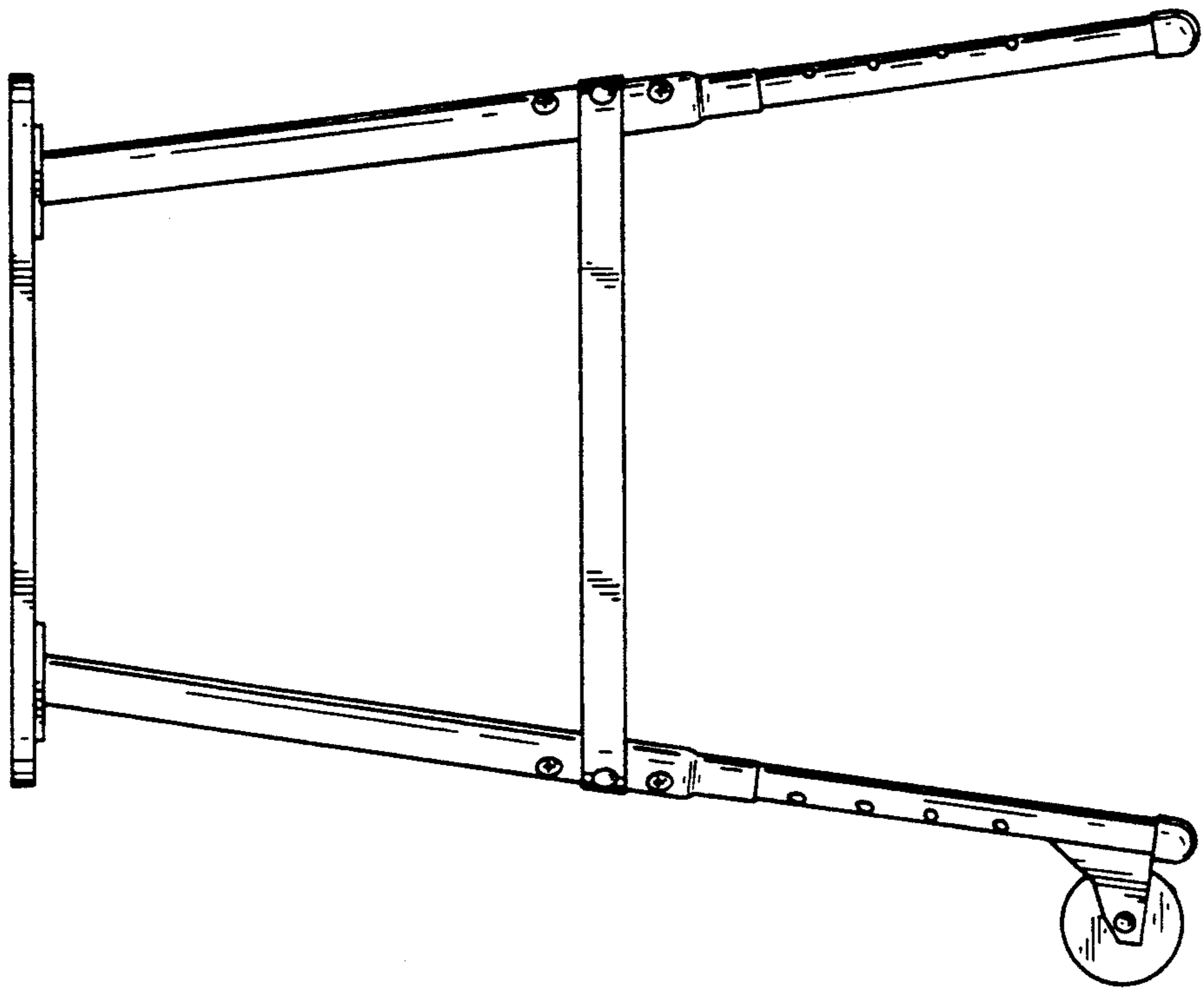


FIG. 2

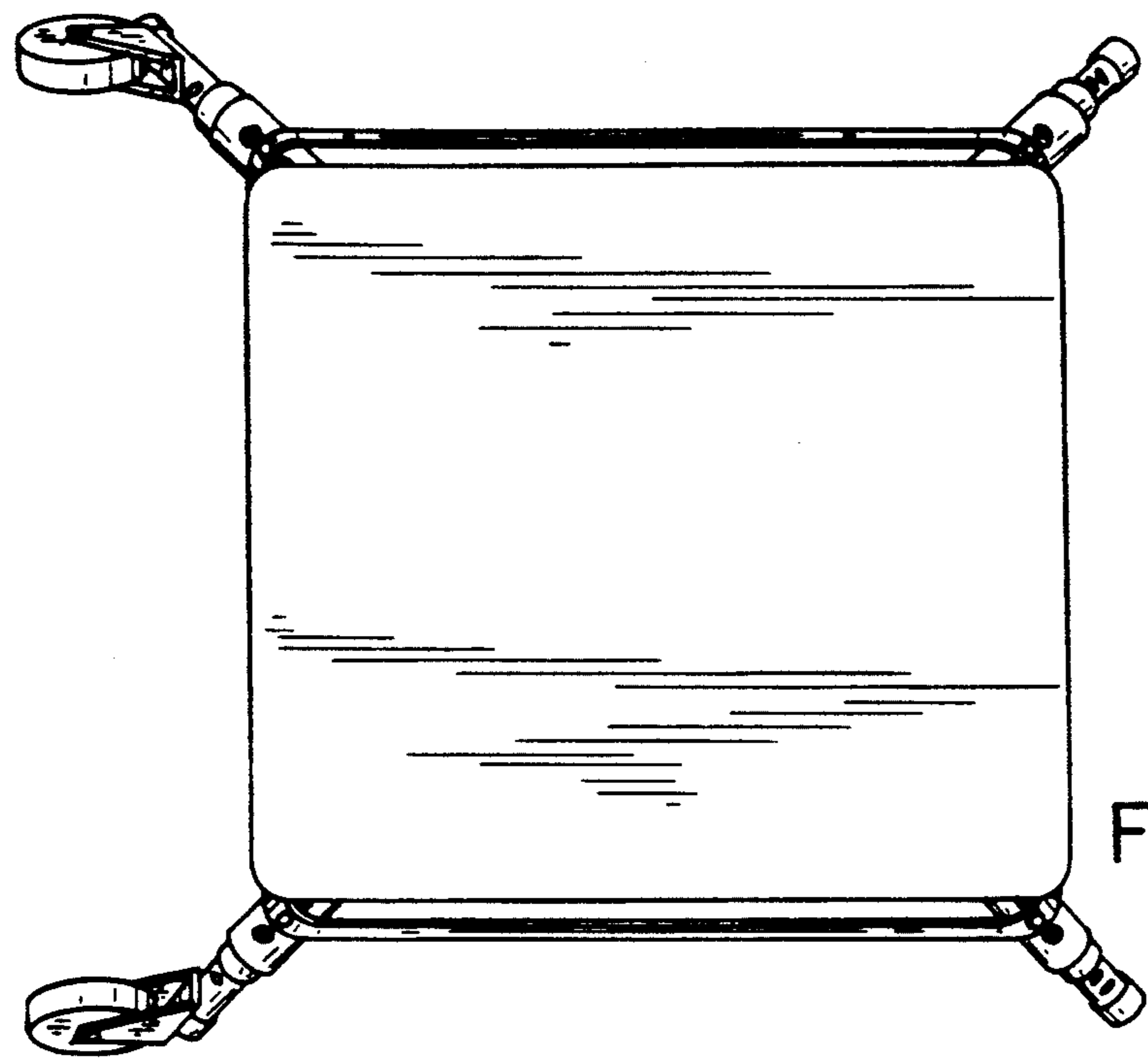


FIG. 3

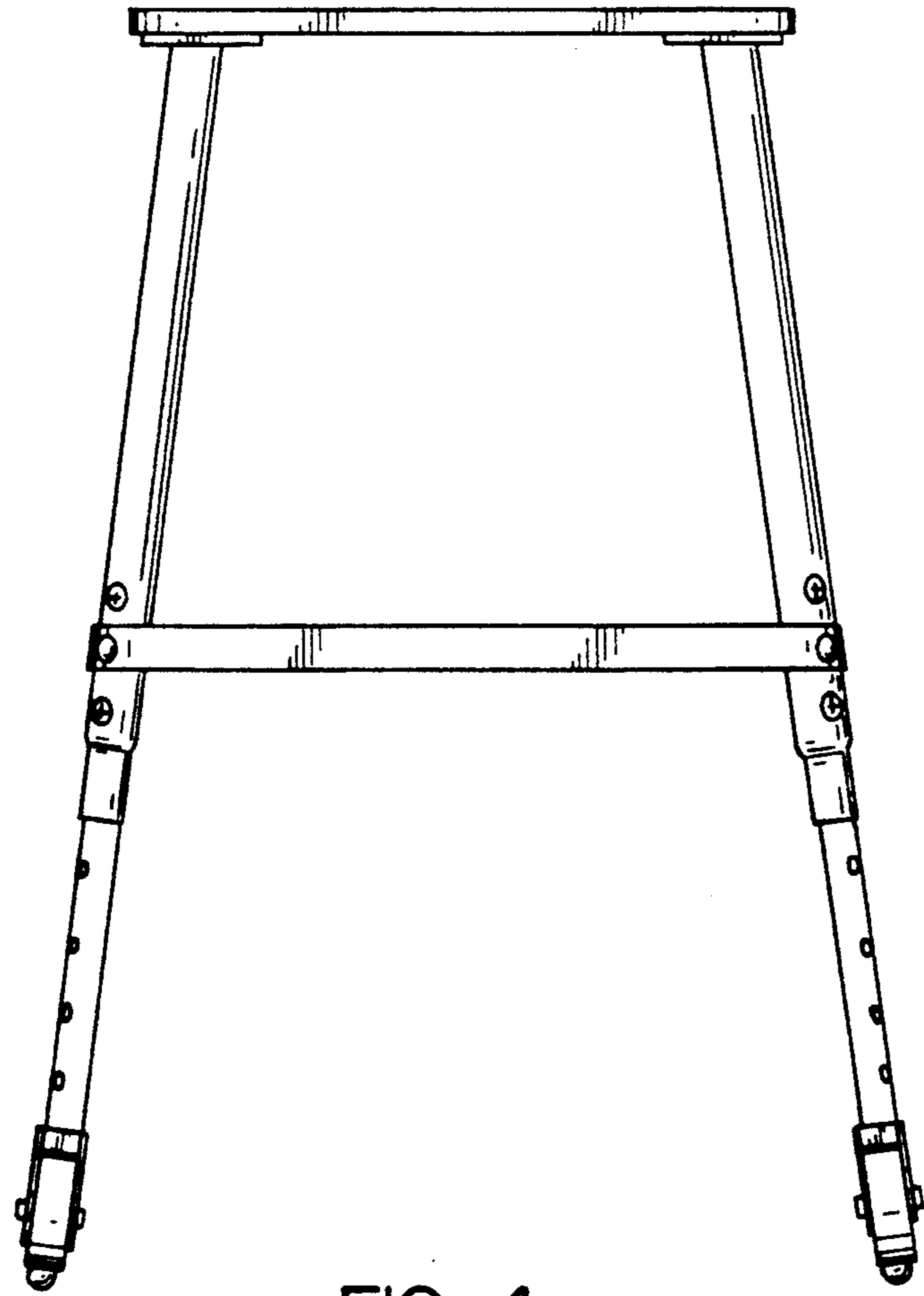


FIG. 4

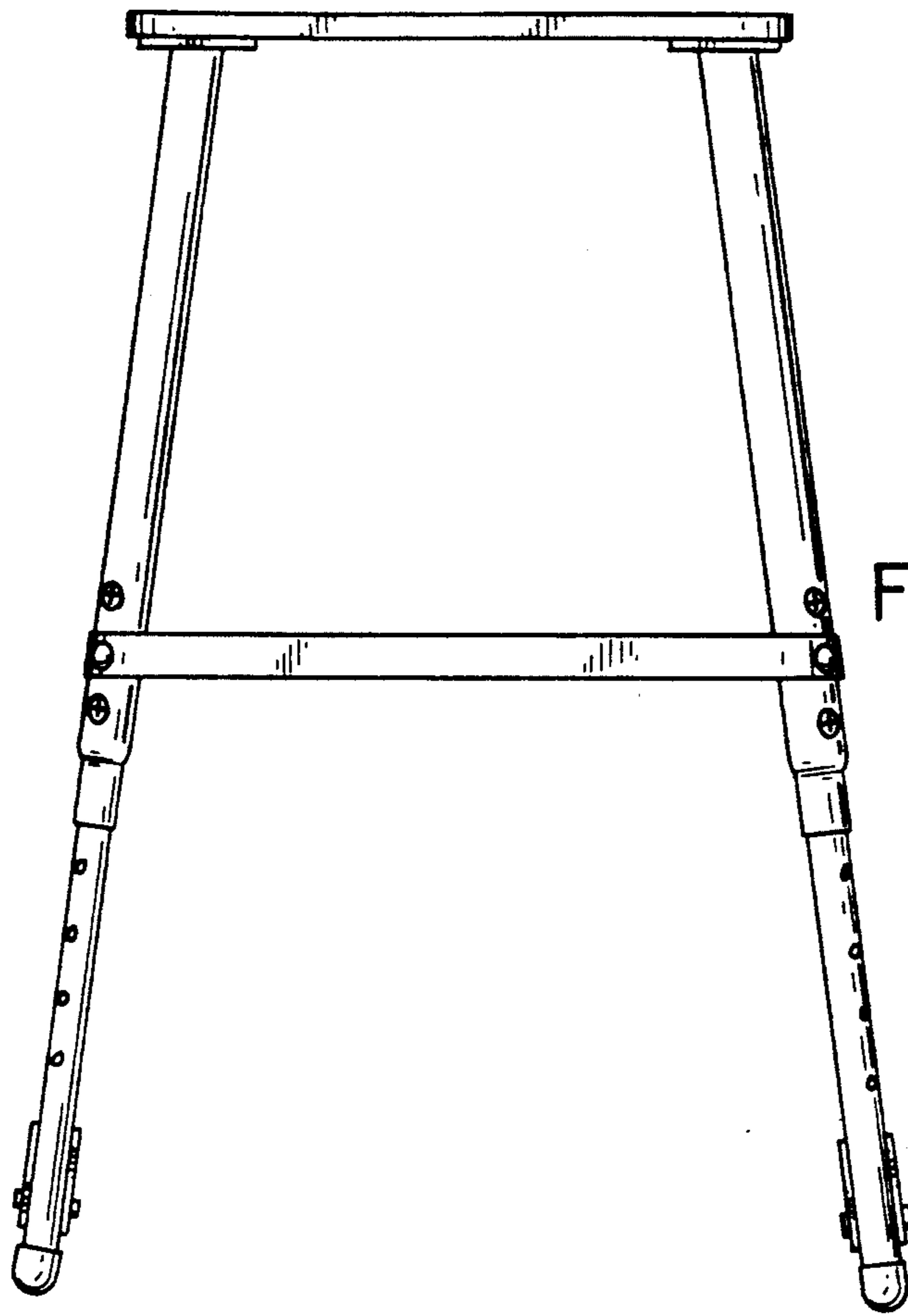


FIG. 5

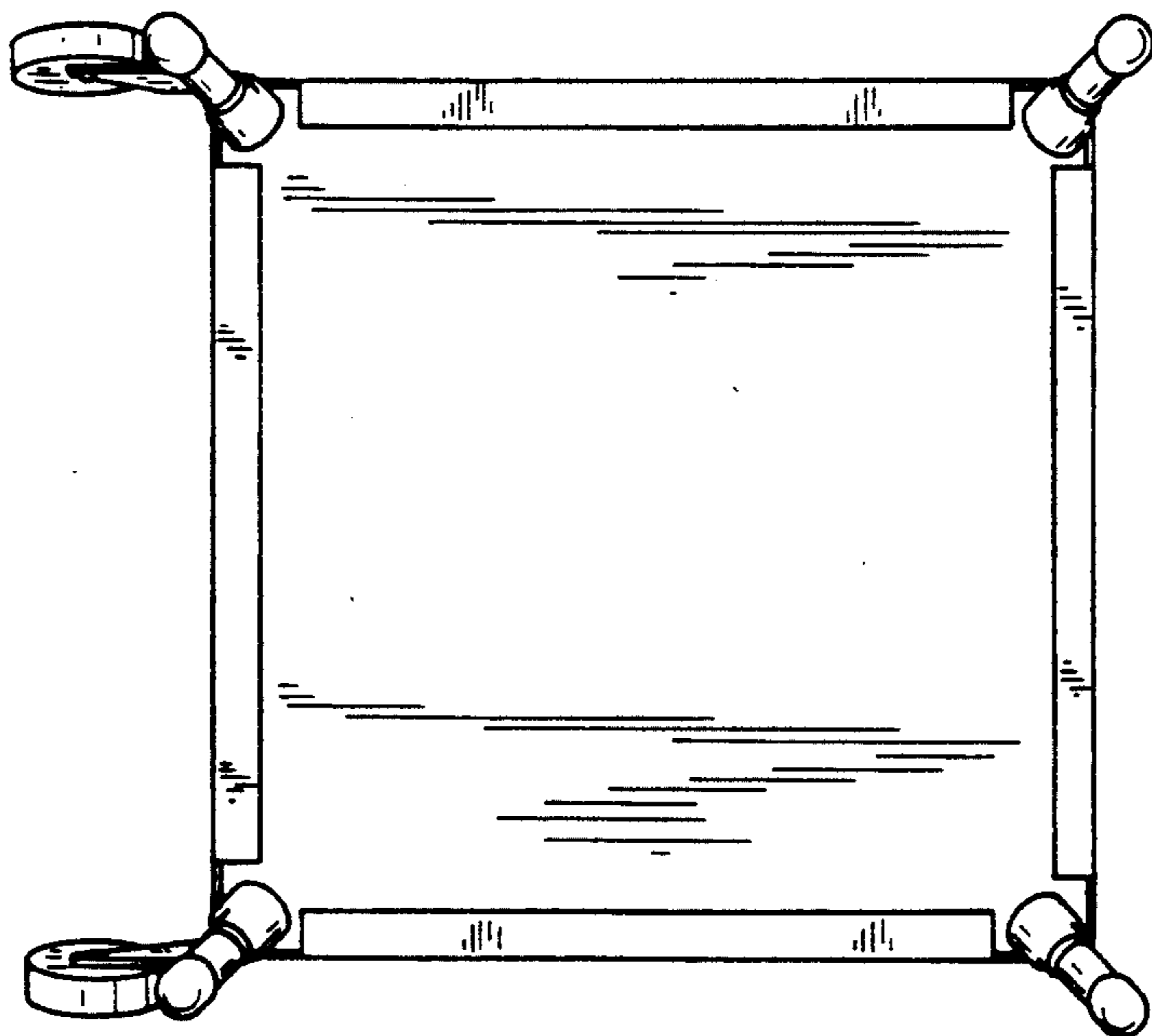


FIG. 6