



US00D345471S

United States Patent [19] Takahama

[11] Patent Number: **Des. 345,471**
[45] Date of Patent: **** Mar. 29, 1994**

[54] CHAIR
[75] Inventor: **Kazuhide Takahama**, Bologna, Italy
[73] Assignee: **Simon International**, Italy
[**] Term: **14 Years**
[21] Appl. No.: **849,696**
[22] Filed: **Mar. 10, 1992**

D. 279,733 7/1985 Nakamura D6/373
D. 314,285 2/1991 Favaretto D6/373
D. 333,577 3/1993 Danko D6/380
4,290,645 9/1981 Glickman et al. D6/373

OTHER PUBLICATIONS

Design, Mar. 1985, p. 14, chair at top right, copy in D6/372.

Lowenstein/0990, Catalist 15, Jun. 1, 1986, p. 39, chair at bottom left Misc. Chair Bar/Desk Copy.

Primary Examiner—Nelson C. Holtje
Assistant Examiner—Gary D. Watson
Attorney, Agent, or Firm—Laff, Whitesel, Conte & Saret

[30] Foreign Application Priority Data
Sep. 18, 1991 [IT] Italy B)910000051
[52] U.S. Cl. D6/373; D6/374;
D6/380
[58] Field of Search D6/334, 371, 372, 373,
D6/374, 375, 379, 500, 501, 502; 297/445, 460

[57] CLAIM

The ornamental design for a chair, as shown and described.

[56] References Cited U.S. PATENT DOCUMENTS

D. 134,532 12/1942 Mastrangelo D6/374
D. 181,676 12/1957 Ristenpart D6/373
D. 202,775 11/1965 Rowland D6/373
D. 224,824 9/1972 Buhk D6/373
D. 236,395 8/1975 Kinsman D6/373
D. 246,813 1/1978 Tolleson D6/373

DESCRIPTION

FIG. 1 is a perspective side view of the chair;
FIG. 2 is a back view;
FIG. 3 is a front view;
FIG. 4 is a side view;
FIG. 5 is a top plan view; and,
FIG. 6 is a bottom plan view.

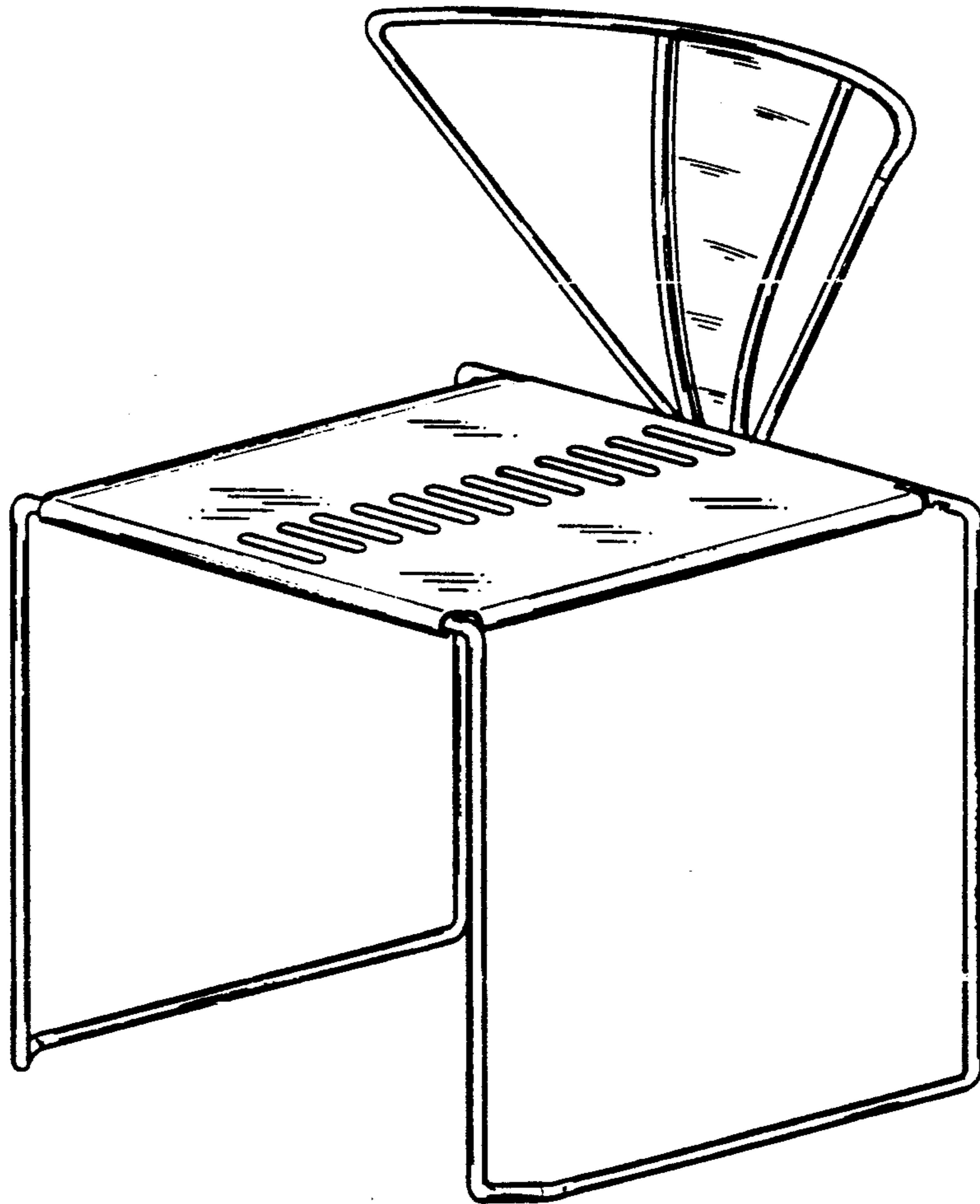


FIG 1

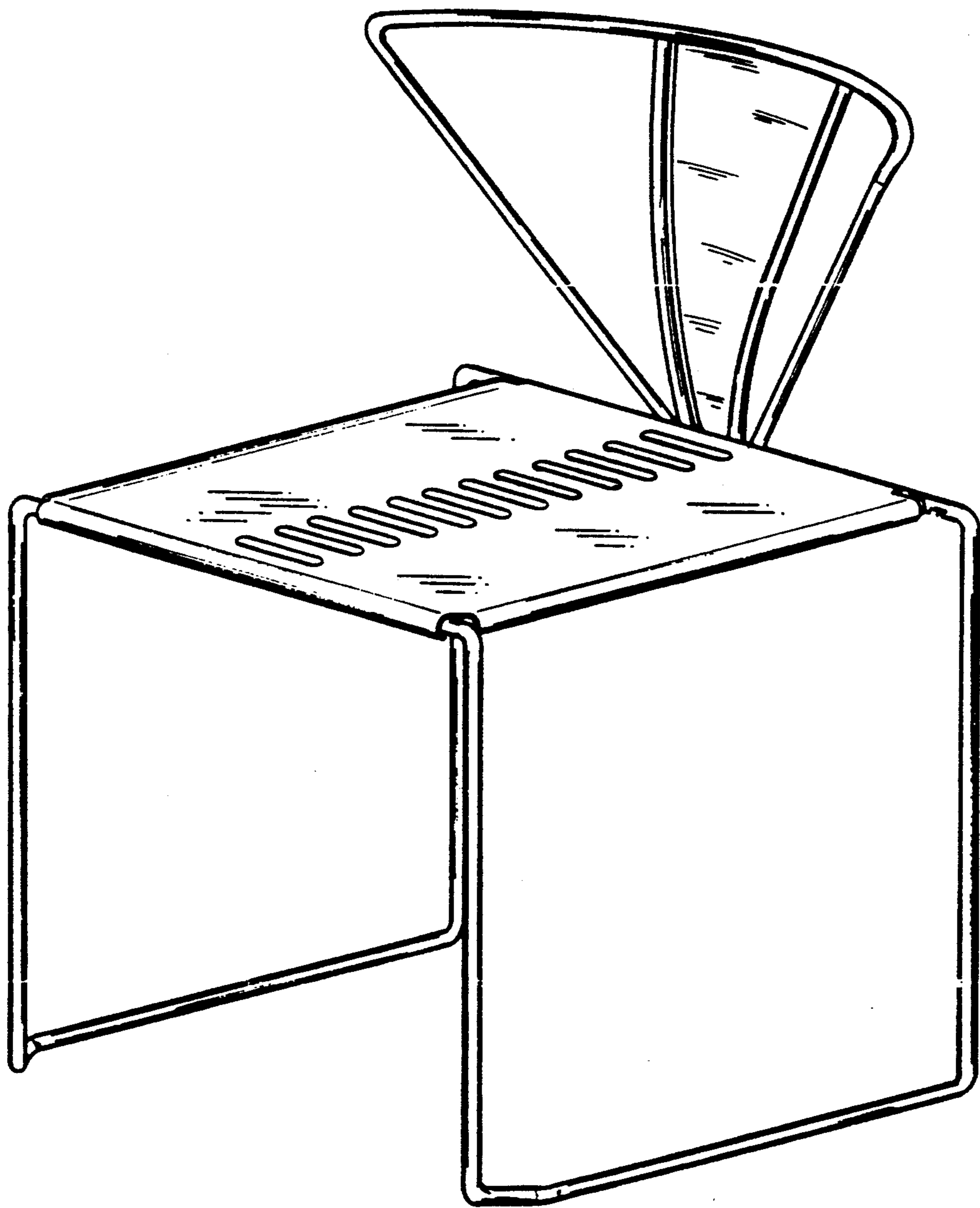


FIG 2

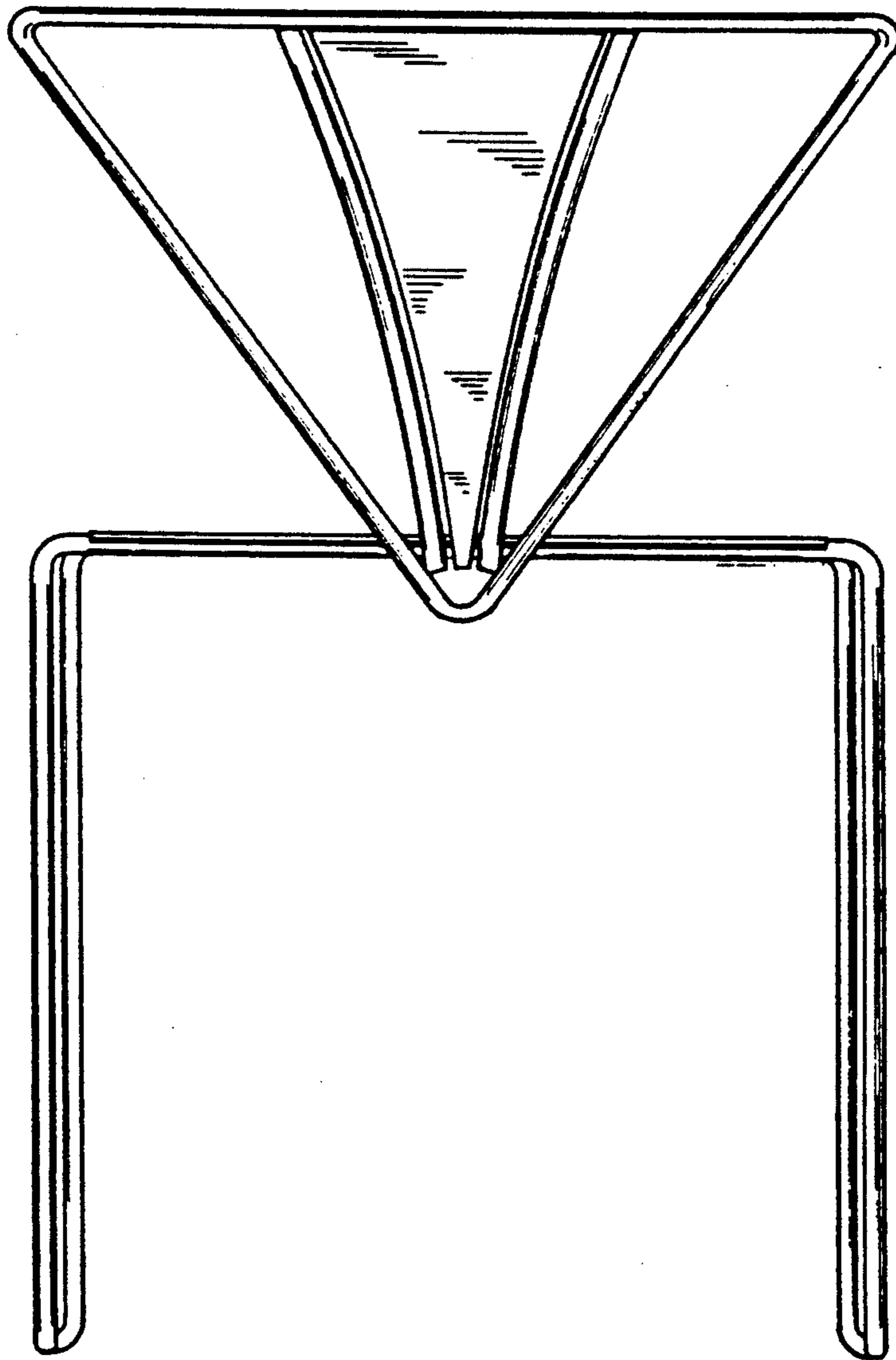


FIG 4

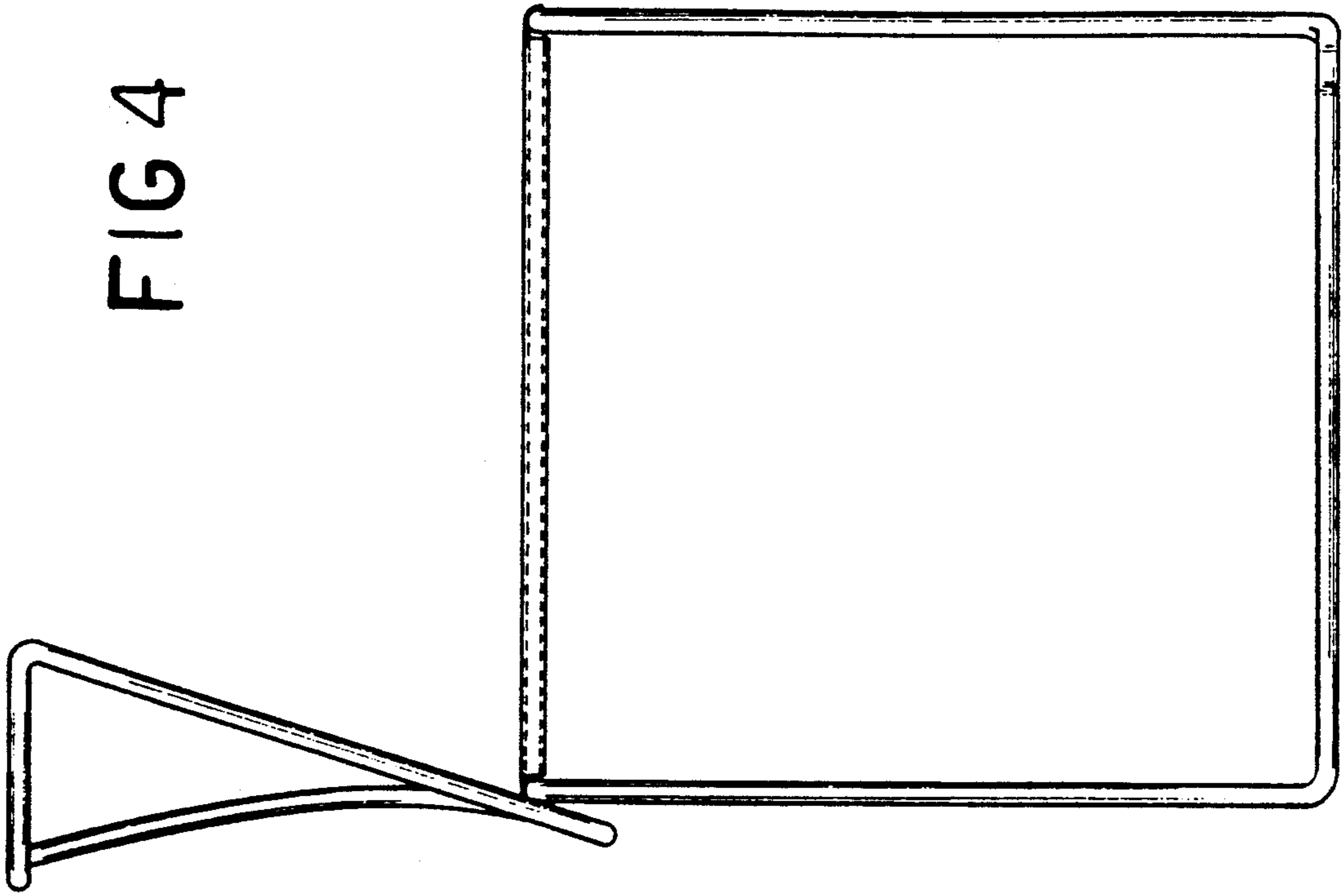


FIG 3

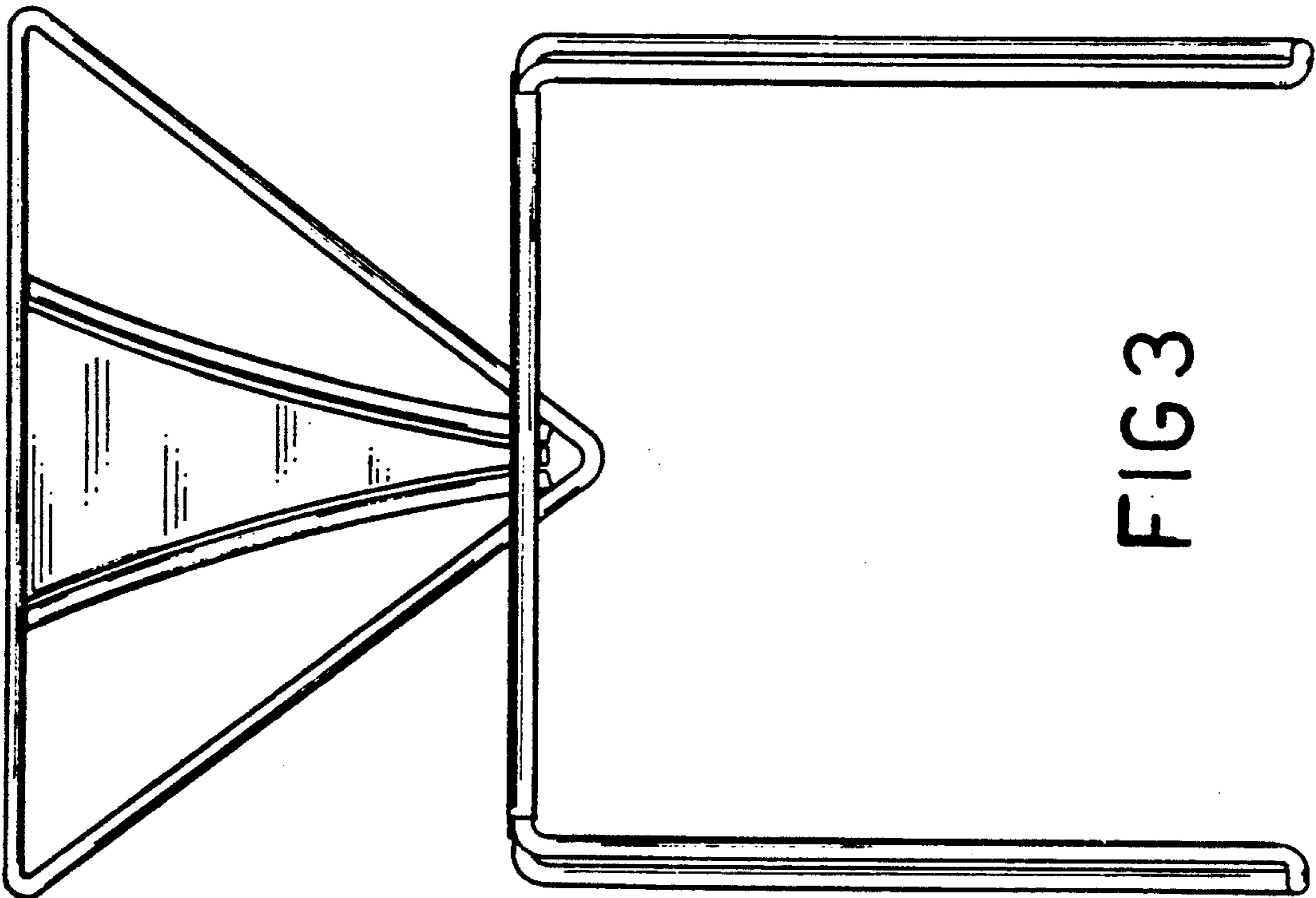


FIG 6

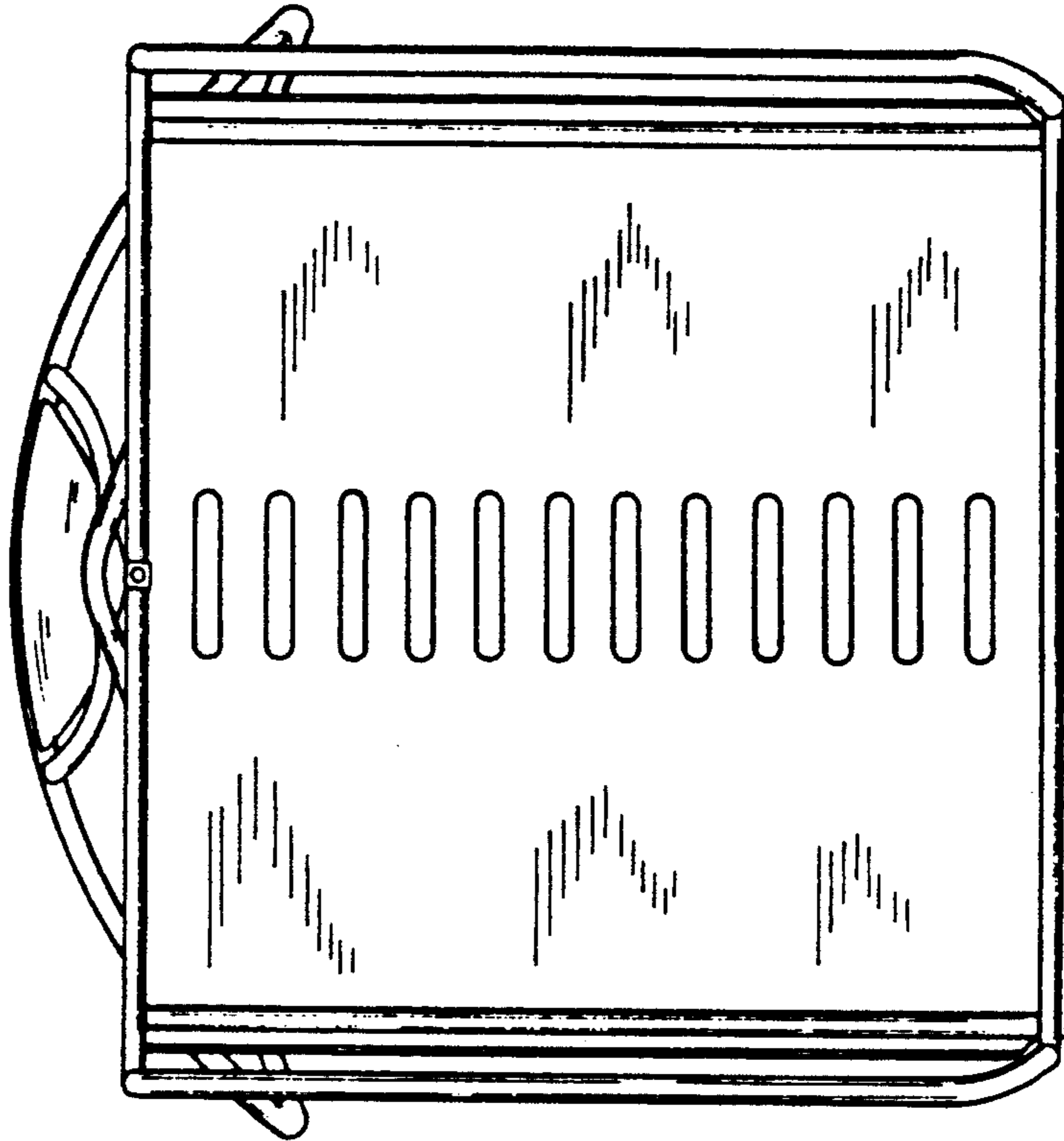


FIG 5

