



US00D345469S

United States Patent [19]
Wirth

[11] **Patent Number: Des. 345,469**
[45] **Date of Patent: ** Mar. 29, 1994**

[54] **SEATING UNIT**

[75] **Inventor: Heinz Wirth, Aalen, Fed. Rep. of Germany**
[73] **Assignee: Eisen-und Drahtwerk Erlau Aktiengesellschaft, Aalen, Fed. Rep. of Germany**
[**] **Term: 14 Years**
[21] **Appl. No.: 839,898**
[22] **Filed: Feb. 25, 1992**
[30] **Foreign Application Priority Data**
Aug. 29, 1991 [DE] Fed. Rep. of Germany 9106052
[52] **U.S. Cl. D6/355; D6/379; D6/381**
[58] **Field of Search D6/334, 335, 355, 364, D6/369, 370, 371, 372, 373, 374, 376, 379, 381, 499, 500, 501, 502; 297/232**

[56] **References Cited**

U.S. PATENT DOCUMENTS

D. 253,325 11/1979 Gasser et al. D6/372
D. 254,106 2/1980 Benoit D6/369
D. 285,151 8/1986 Molinari D6/381
D. 322,369 12/1991 Laird D6/364

OTHER PUBLICATIONS

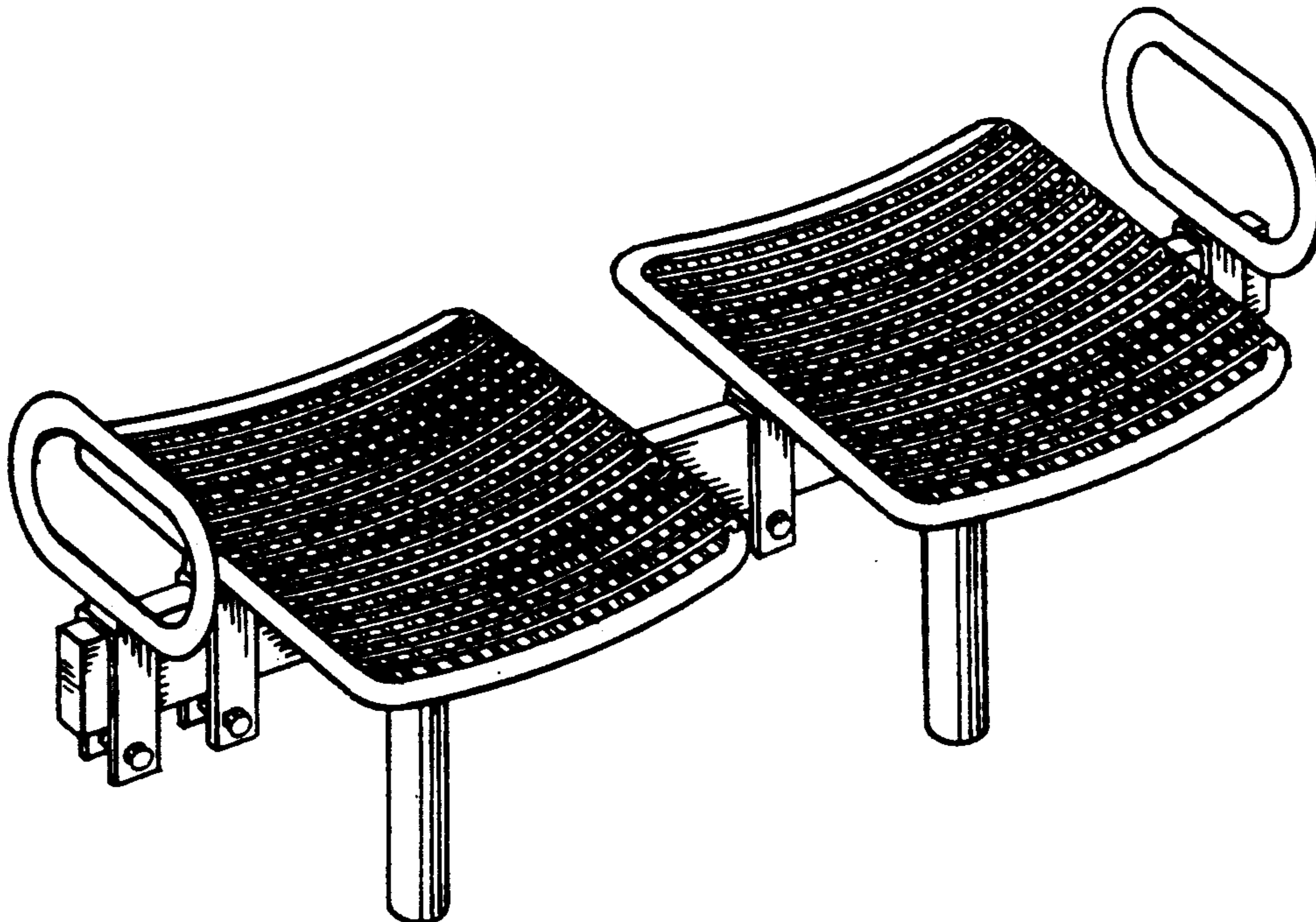
Interiors, May 1989, p. 210, seat shown.
Kroin, Inc., ©1991, p. 5, seat at top right.
Primary Examiner—Alan P. Douglas
Assistant Examiner—Gary D. Watson
Attorney, Agent, or Firm—Albert H. Reuther

[57] **CLAIM**

The ornamental design for a seating unit, as shown and described.

DESCRIPTION

FIG. 1 is a perspective view of a seating unit showing features in accordance with the present invention; FIG. 2 is a top plan view thereof; FIG. 3 is an end elevational view thereof and the opposite end elevational view being a mirror image thereof; FIG. 4 is a bottom plan view thereof; FIG. 5 is a side elevational view thereof and the opposite side elevational view being a mirror image thereof; FIG. 6 is a perspective view of a seating unit showing a second embodiment of my new design; FIG. 7 is a top plan view of the seating unit of FIG. 6; FIG. 8 is a bottom plan view of the seating unit of FIG. 6; FIG. 9 is a side elevational view of the seating unit of FIG. 6 and the opposite side elevational view being a mirror image thereof; FIG. 10 is an end elevational view of the seating unit of FIG. 6 and the opposite end elevational view being a mirror image thereof; FIG. 11 is a perspective view of a seating unit showing a third embodiment of my new design; FIG. 12 is a top plan view of the seating unit of FIG. 11; FIG. 13 is a bottom plan view of the seating unit of FIG. 11; FIG. 14 is a side elevational view of the seating unit of FIG. 11 and the opposite side elevational view being a mirror image thereof; and, FIG. 15 is an end elevational view of the seating unit of FIG. 11 and the opposite end elevational view being a mirror image thereof.



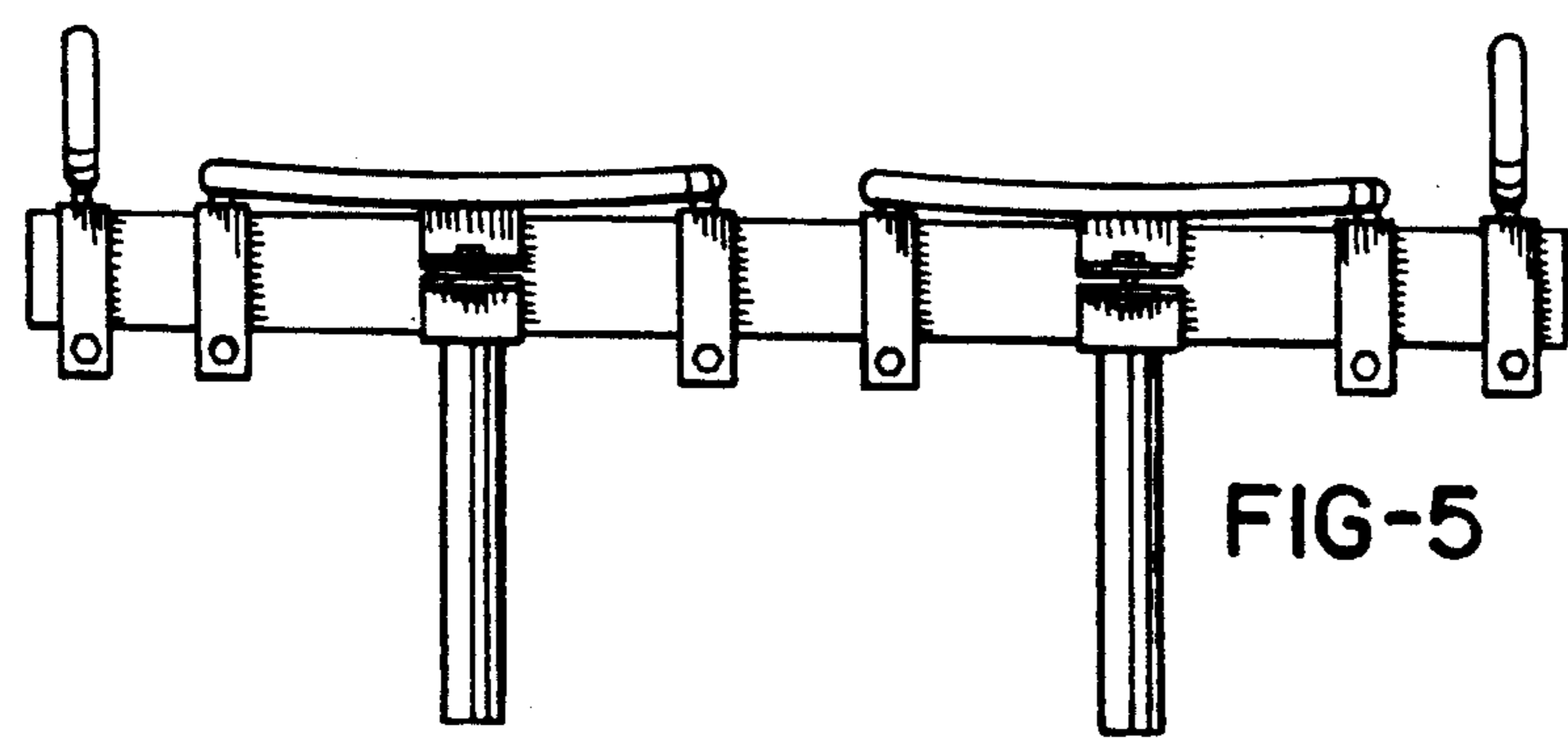
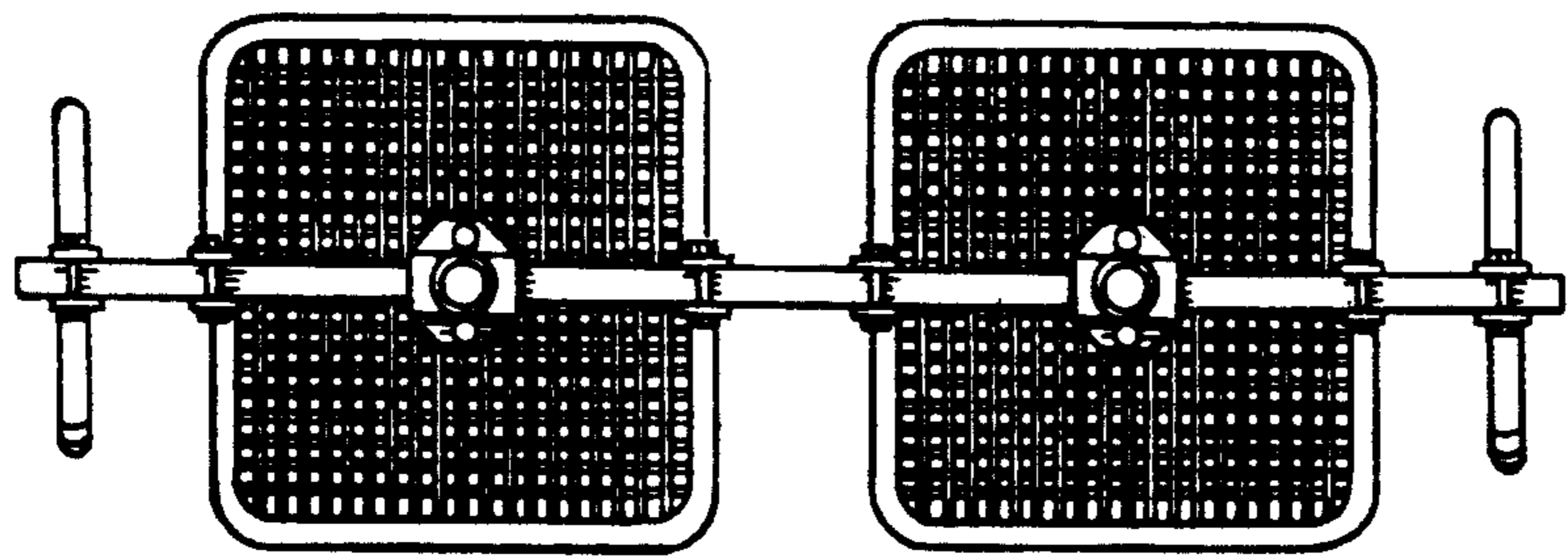
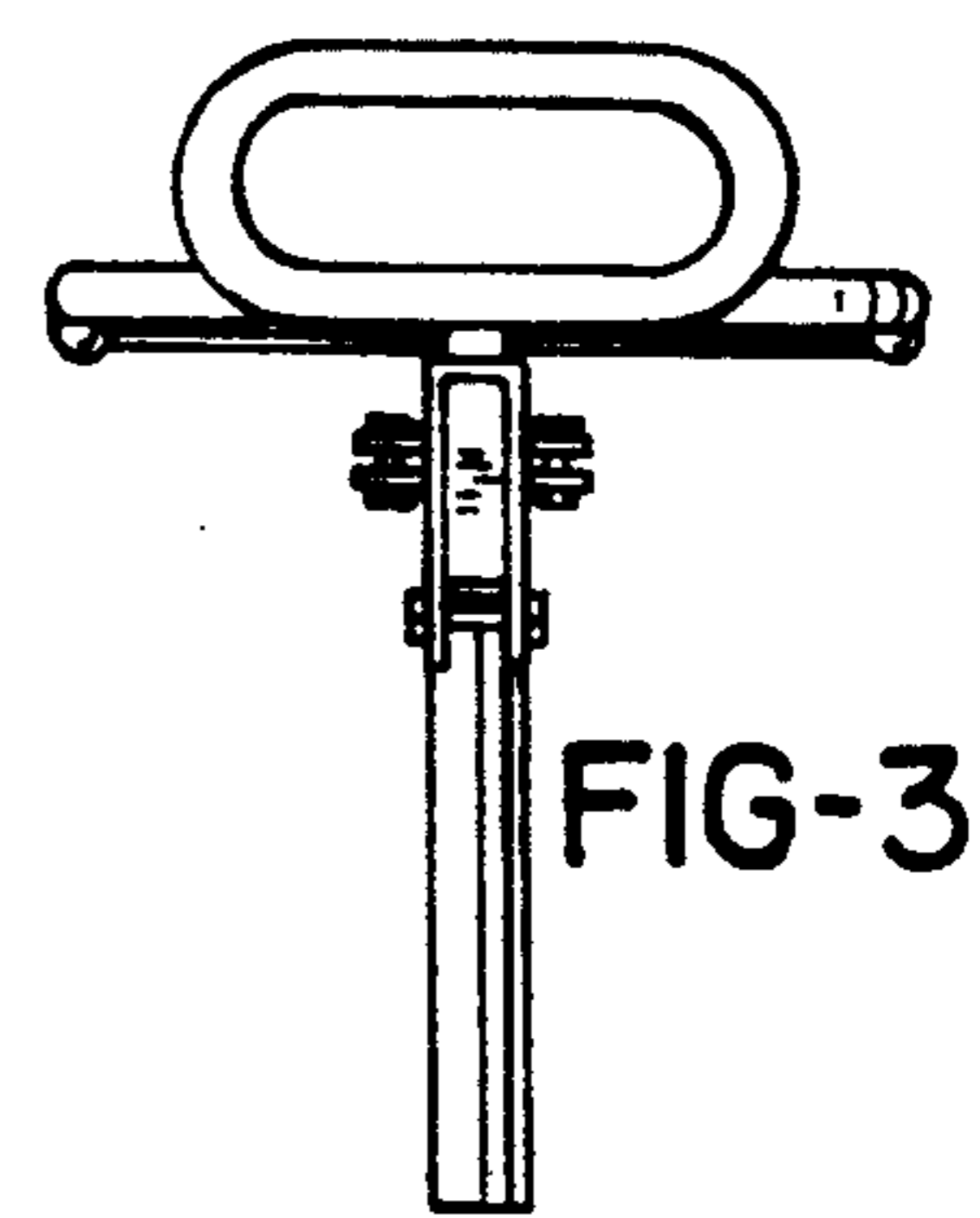
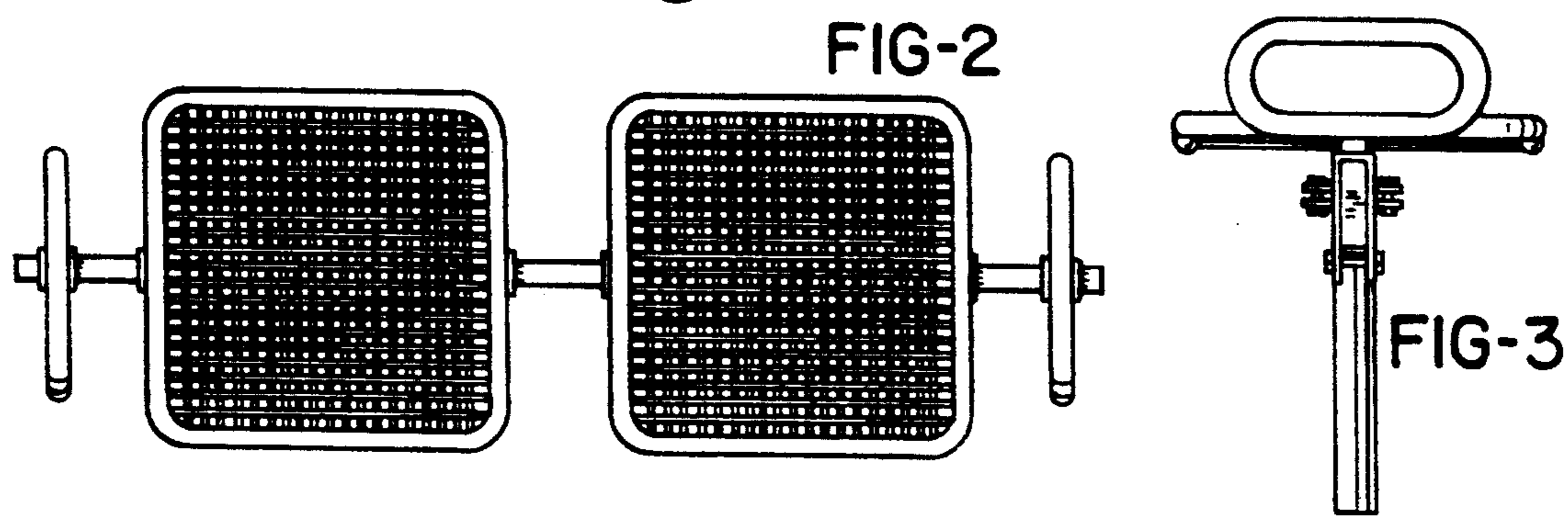
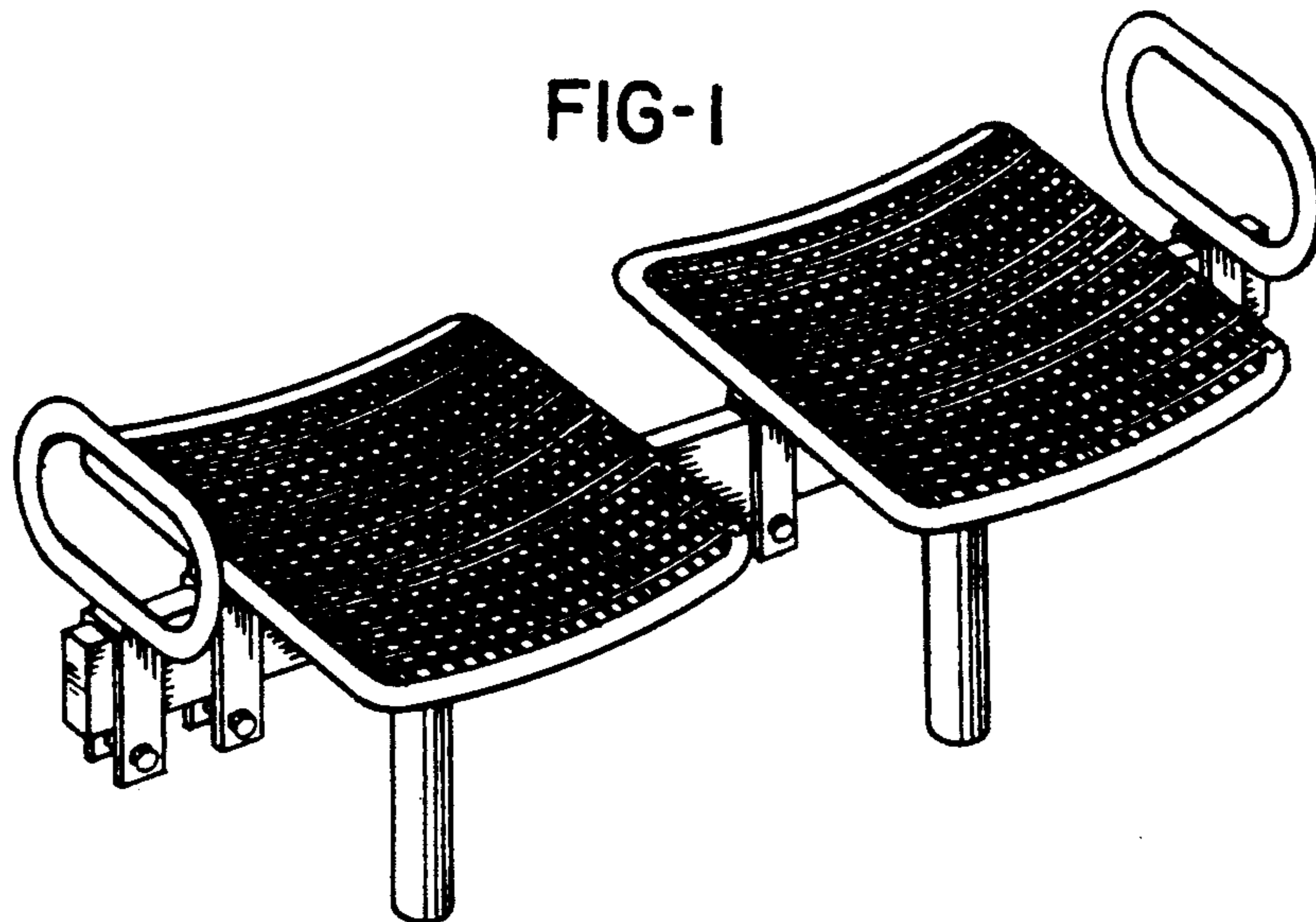


FIG-6

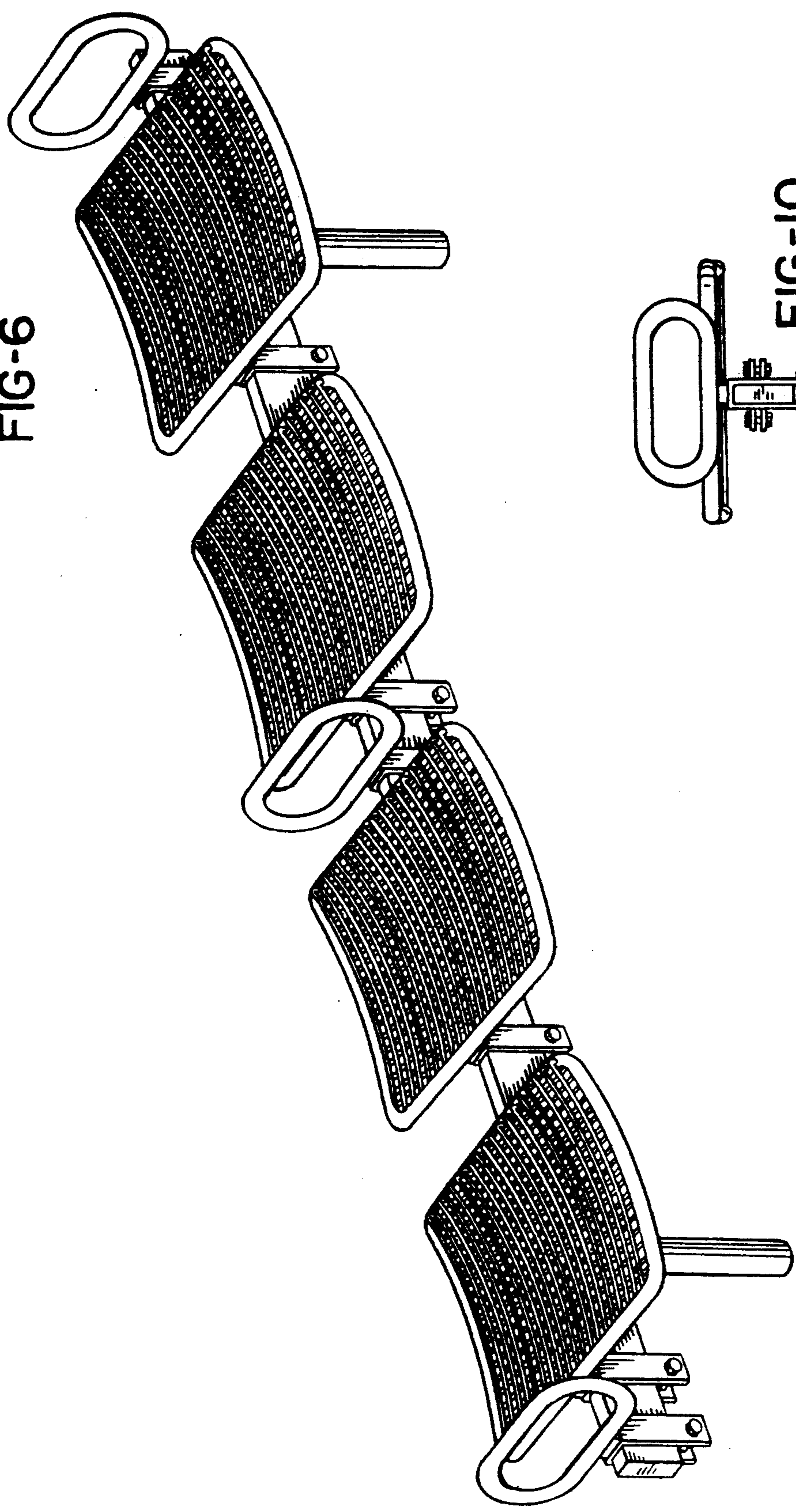
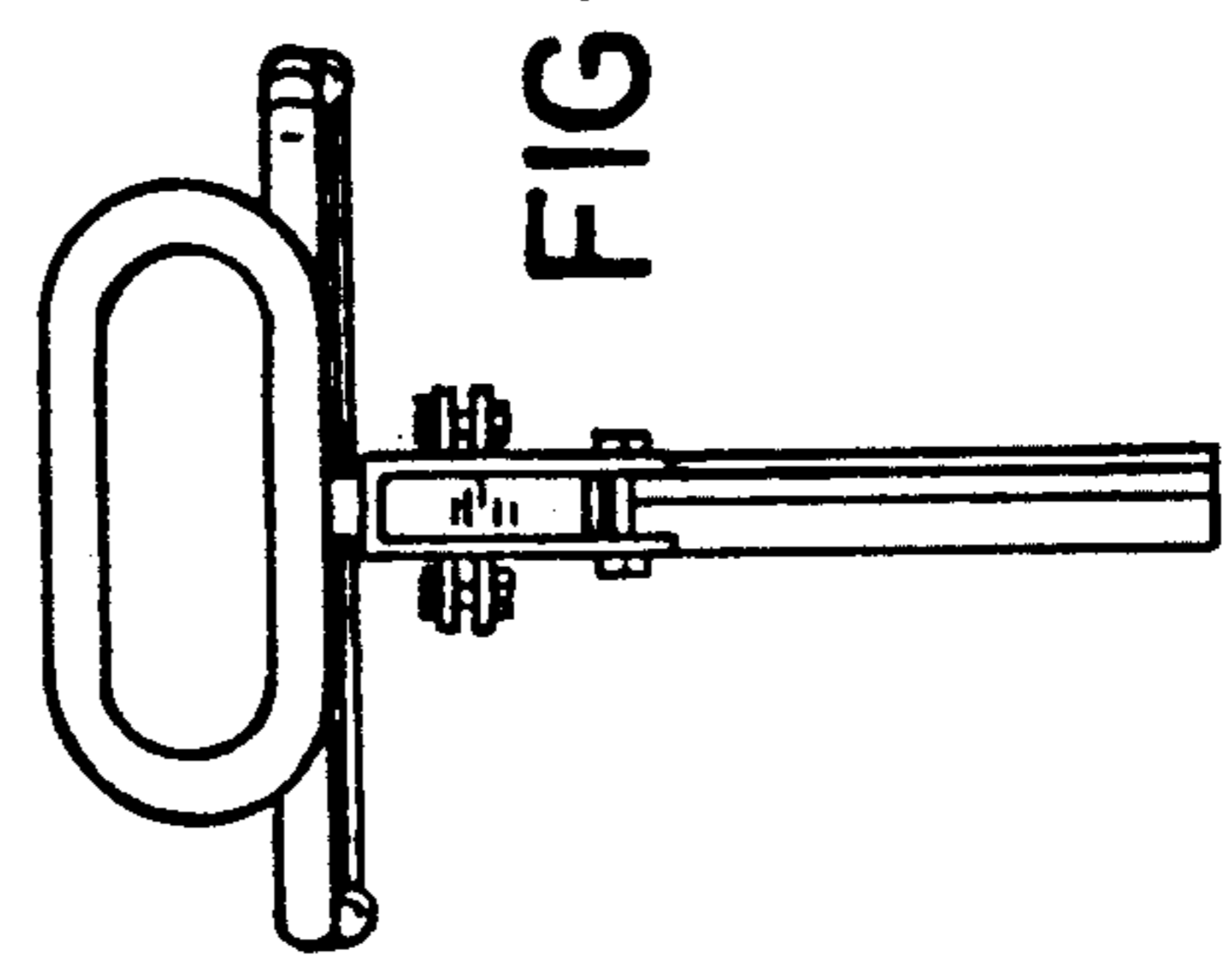
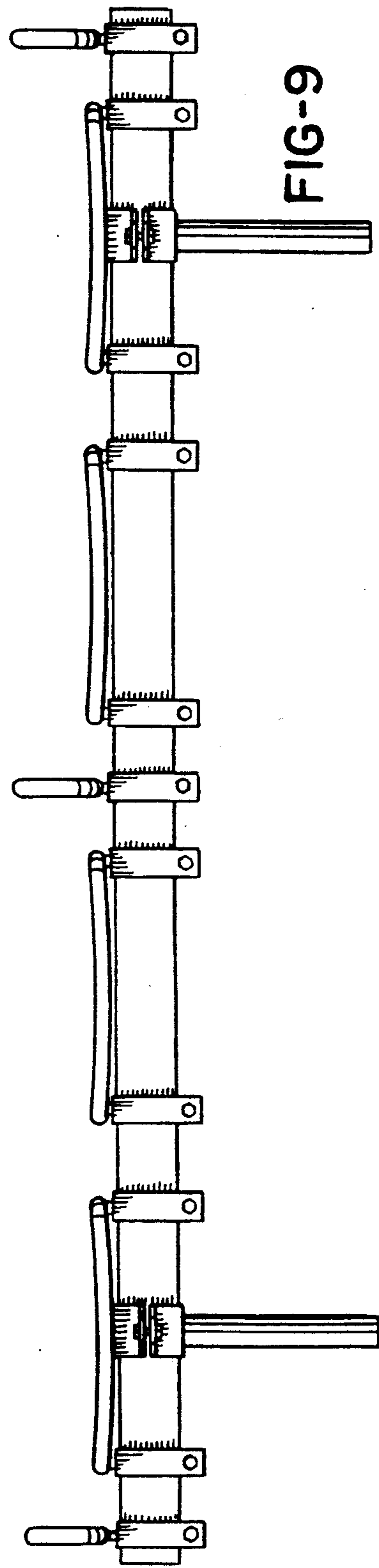
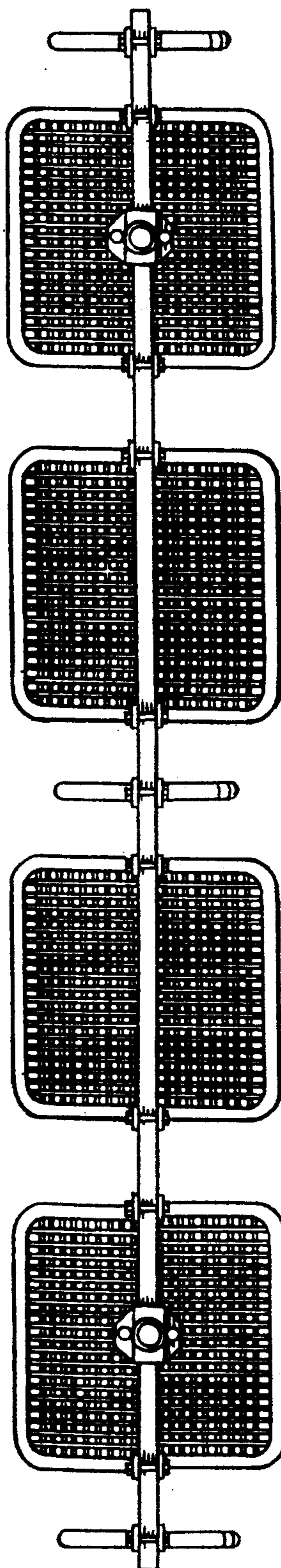
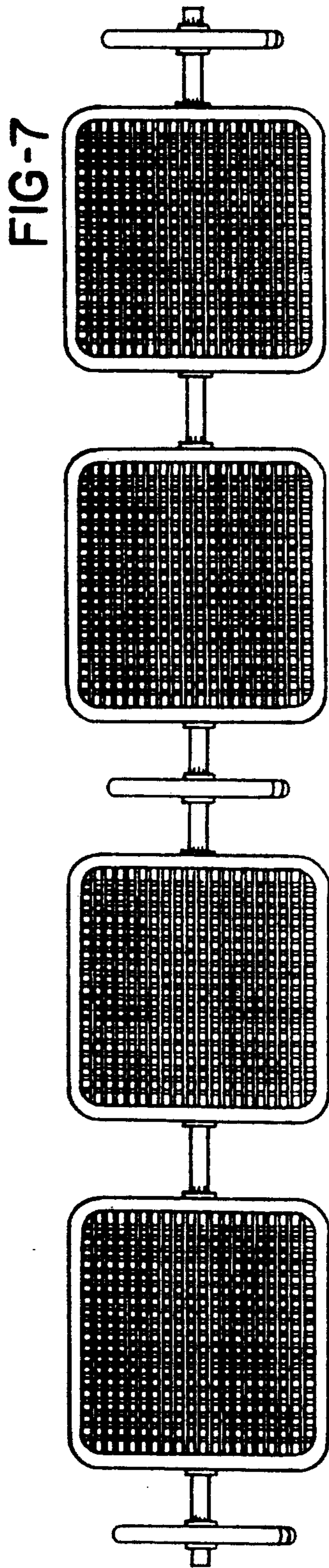
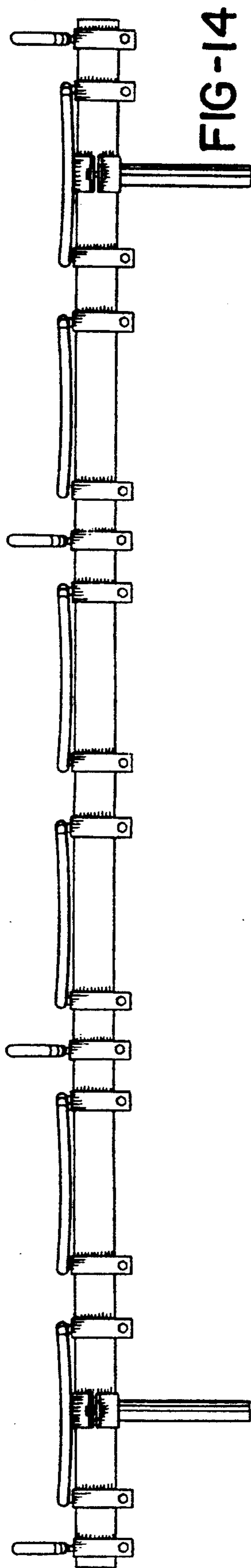
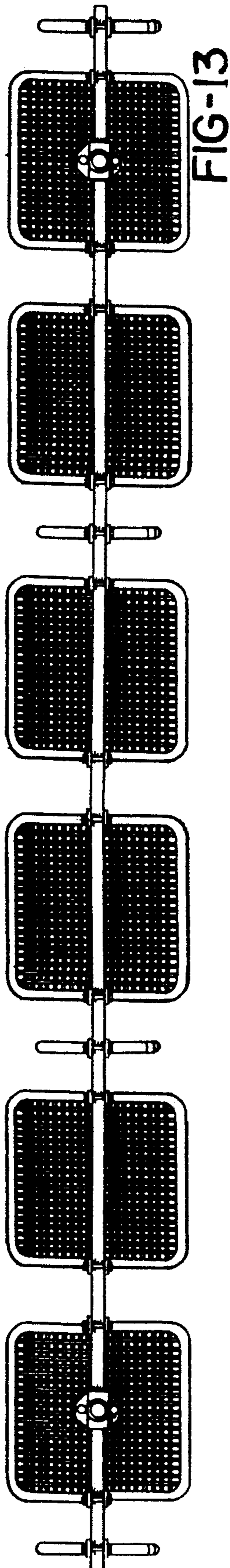
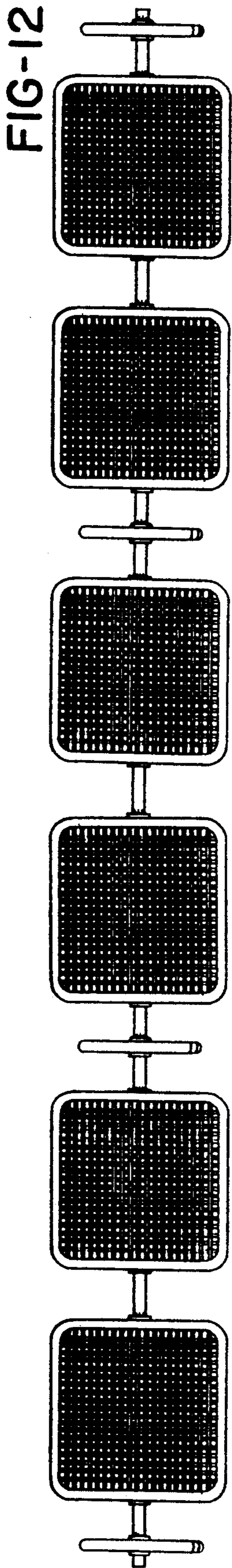


FIG-10







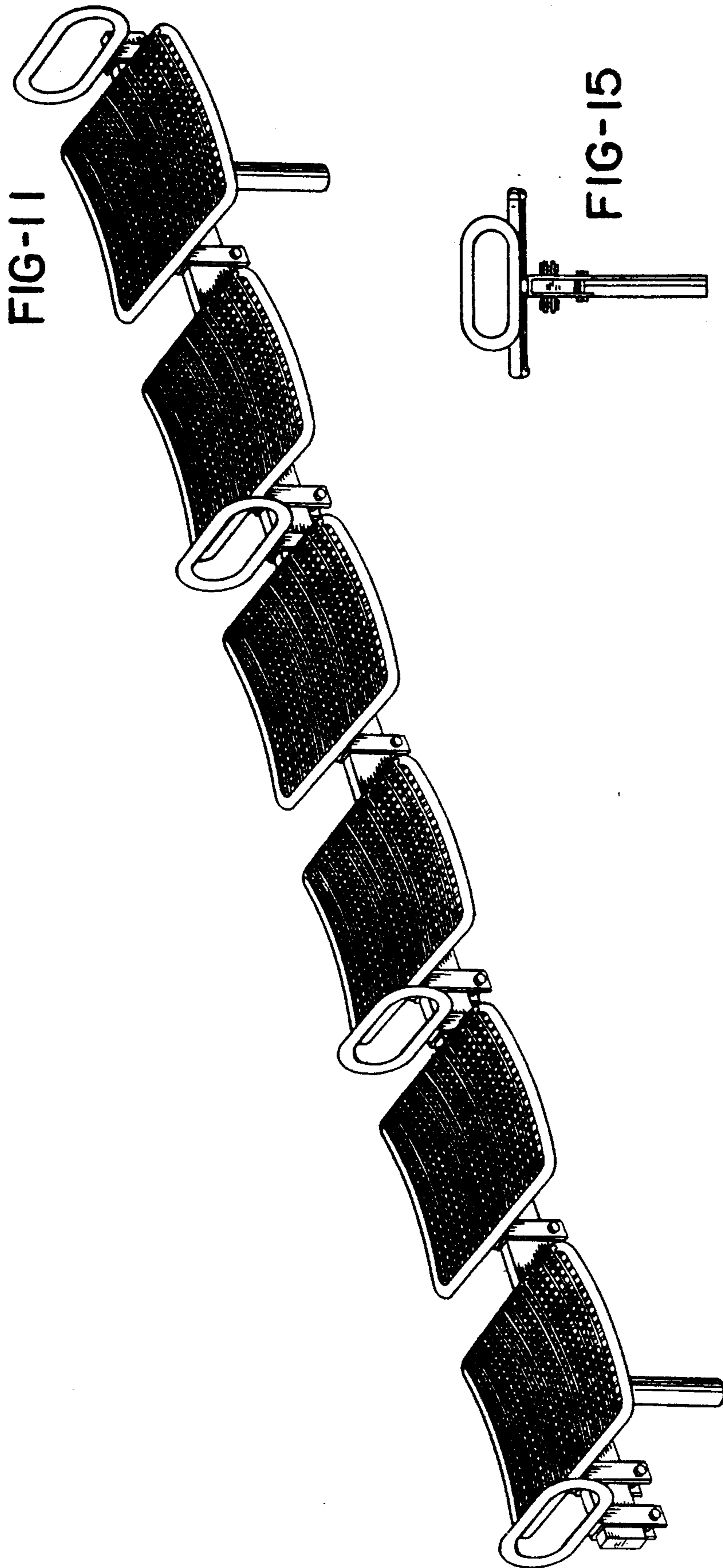


FIG-11

FIG-15