



US00D345468S

United States Patent [19]

McVicker

[11] Patent Number: **Des. 345,468**

[45] Date of Patent: **** Mar. 29, 1994**

[54] **FOOTREST**

[75] Inventor: **Harry J. McVicker, Sherwood, Oreg.**

[73] Assignee: **Grolen Incorporated, Conshohocken, Pa.**

[**] Term: **14 Years**

[21] Appl. No.: **915,356**

[22] Filed: **Jul. 16, 1992**

[52] U.S. Cl. **D6/349**

[58] Field of Search **D6/349-353, D6/355, 358, 340; 128/24.3, 25 B, 57; 297/175, 181, 188, 192, 423.1, 423.39, 461, 462**

4,205,663	6/1980	Fujiwara .	
4,380,231	4/1983	Rocha et al. .	
4,539,977	9/1985	Schneider, Sr. .	
4,782,823	11/1988	Yamasaki .	
5,005,560	4/1991	Quam et al. .	
5,143,056	9/1992	Yih-Jong	128/57

OTHER PUBLICATIONS

JM Bruneau catalog, date unknown, p. 163.

Primary Examiner—Nelson C. Holtje

Assistant Examiner—J. E. Seeger

Attorney, Agent, or Firm—Howson and Howson

[57] CLAIM

The ornamental design for a footrest, as shown and described.

DESCRIPTION

FIG. 1 is a perspective view of a footrest showing my new design;

FIG. 2 is a rear elevational view thereof;

FIG. 3 is a top plan view thereof;

FIG. 4 is a bottom plan view thereof;

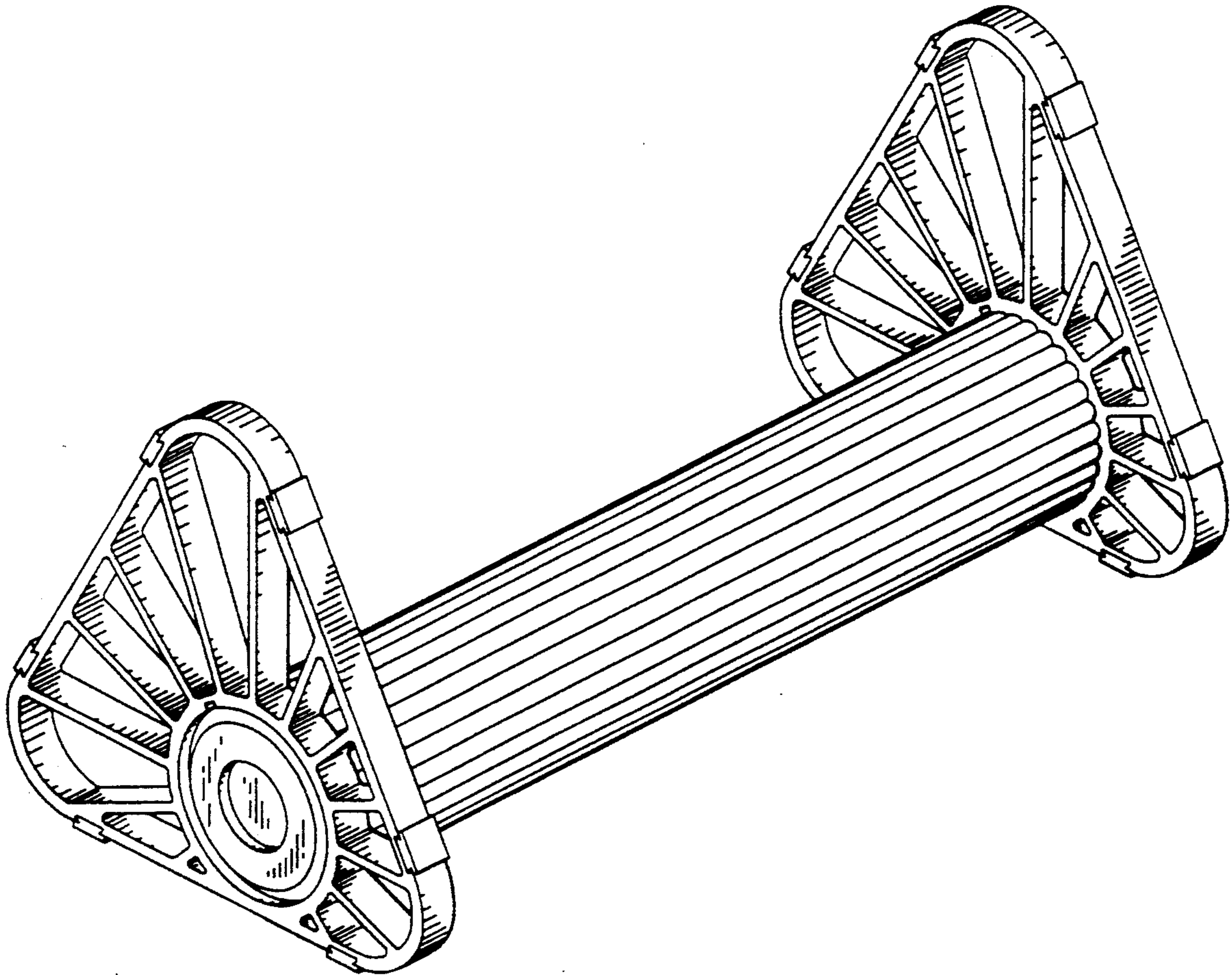
FIG. 5 is a right side elevational view thereof; and,

FIG. 6 is a sectional view taken on plane 6—6 in FIG. 2.

[56] References Cited

U.S. PATENT DOCUMENTS

D. 170,853	11/1953	Dunham	D6/349
D. 197,452	2/1964	Correll	D6/349 X
1,104,360	7/1914	Kusterer	297/423
1,882,490	10/1932	Falck	128/24.3 X
2,037,495	4/1936	Brogan .	
4,142,519	3/1979	Ferguson .	
4,198,962	4/1980	McCauley .	



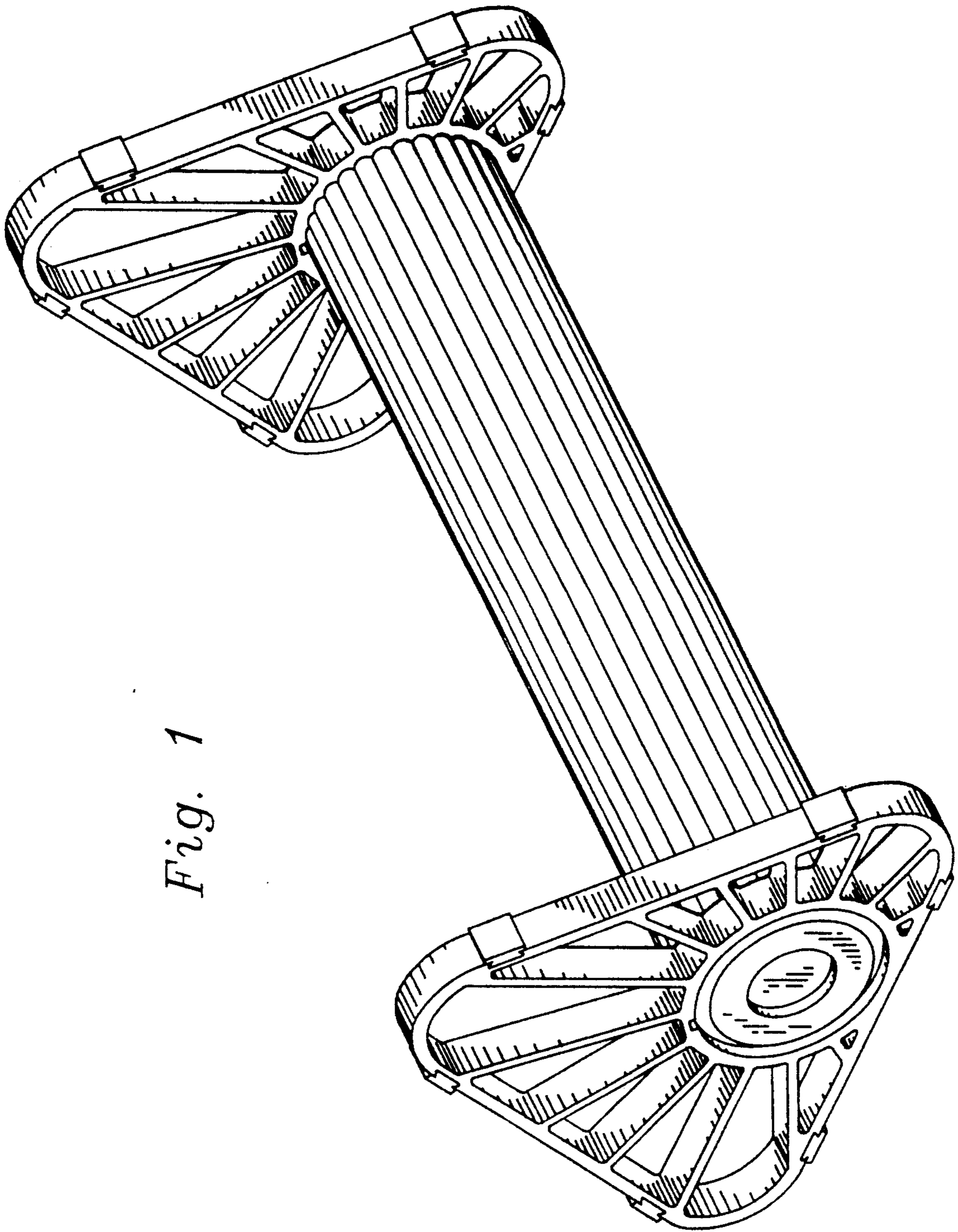


Fig. 1

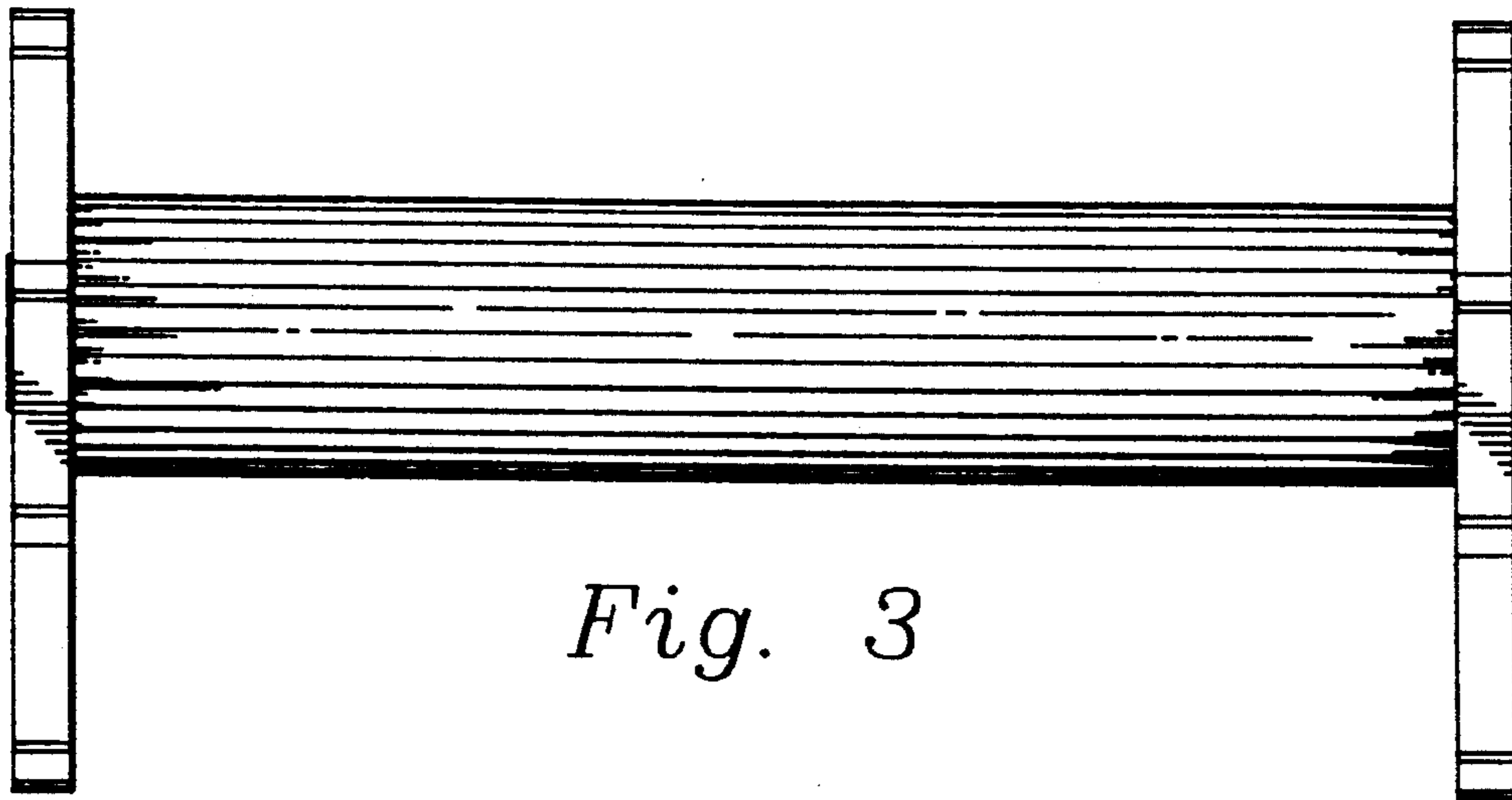


Fig. 3

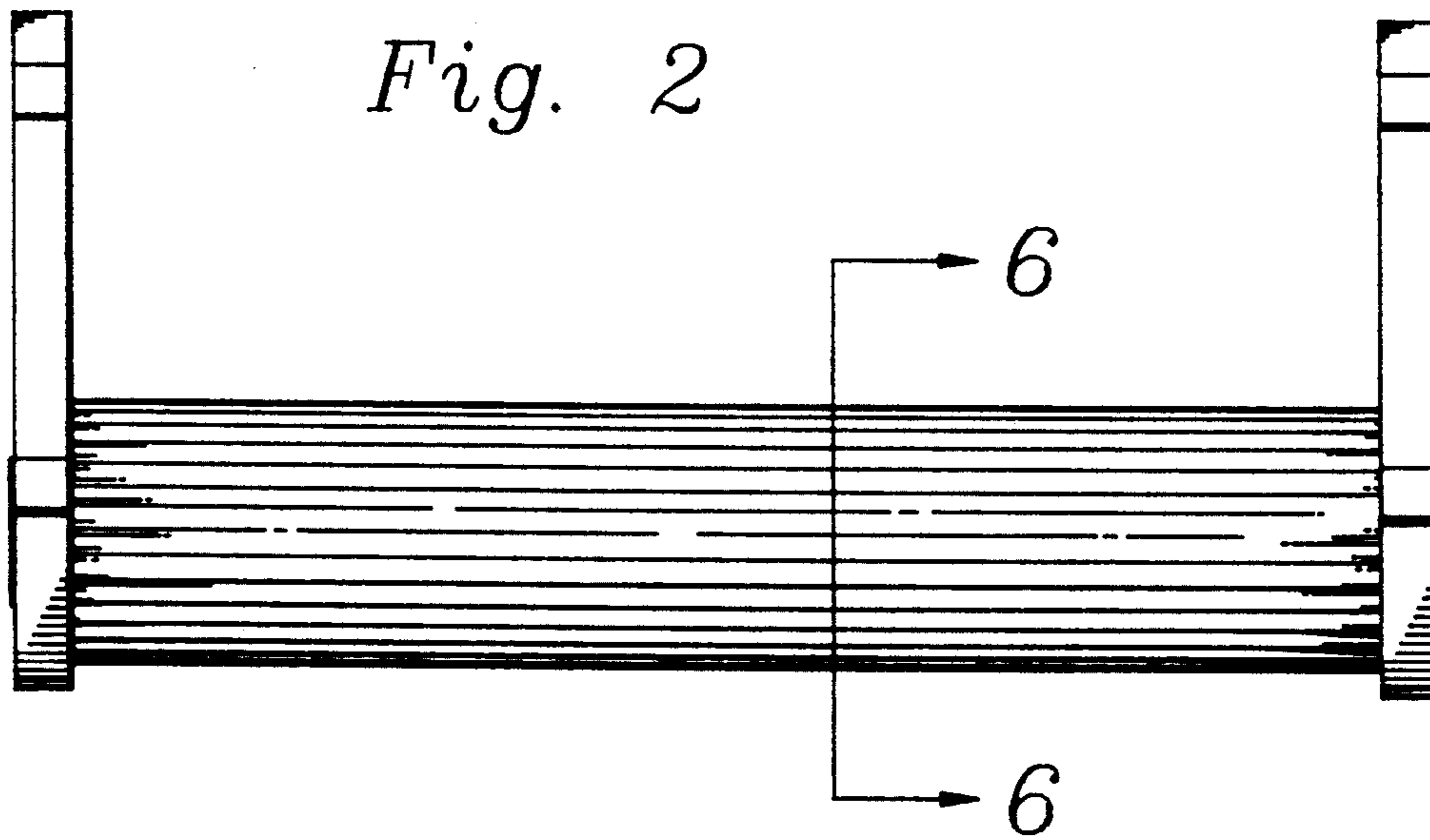


Fig. 2

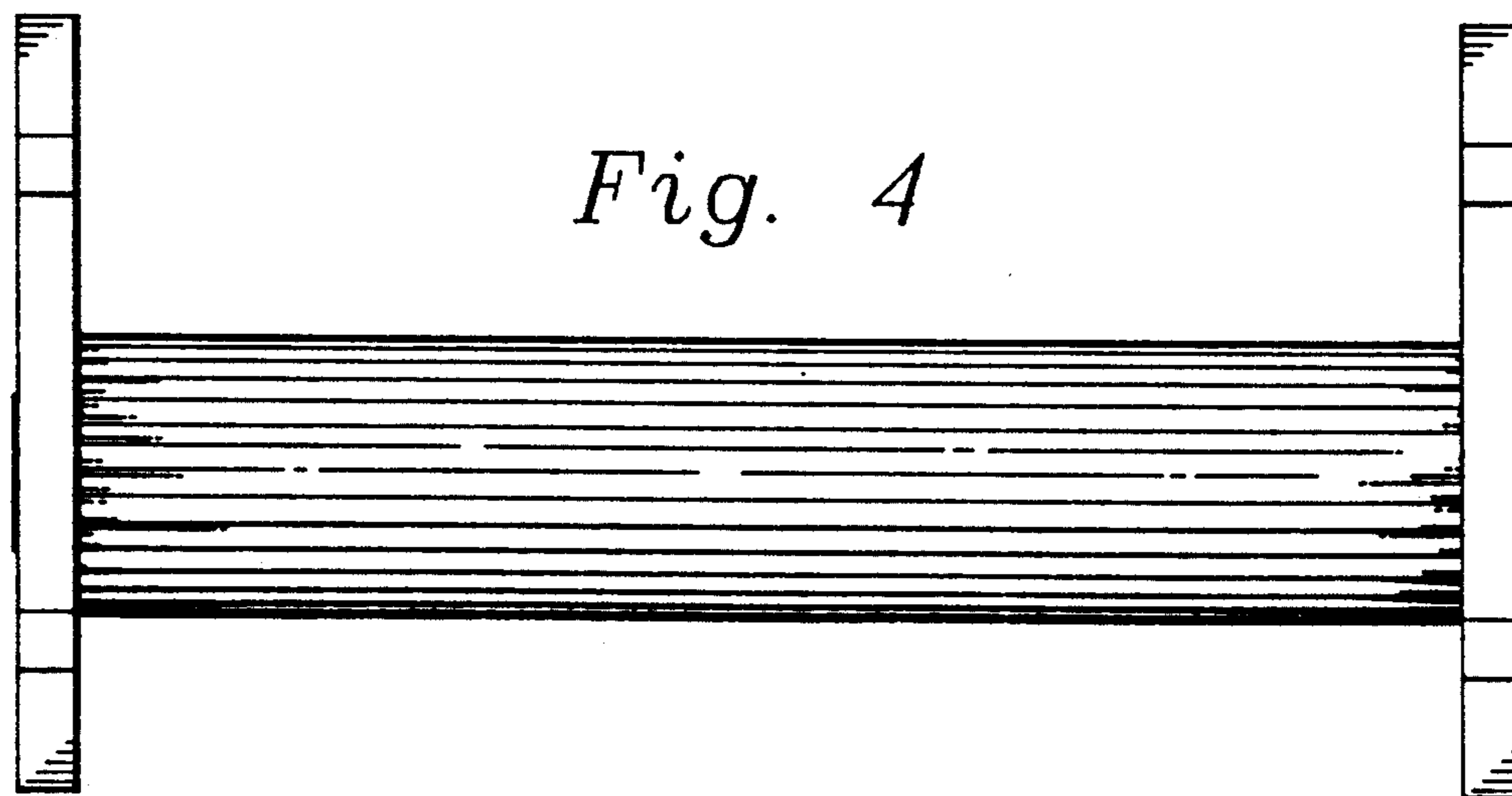


Fig. 4

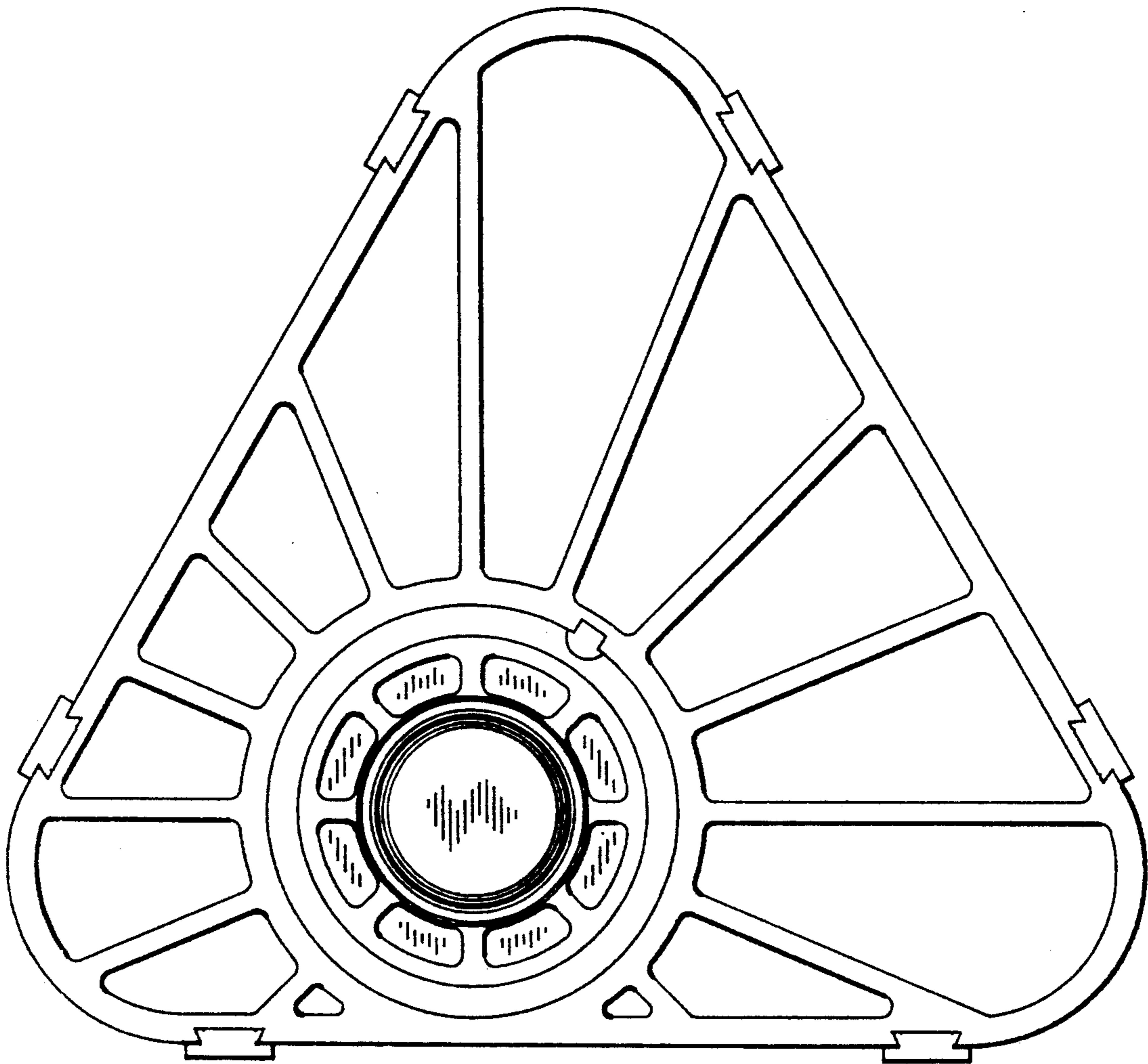


Fig. 5

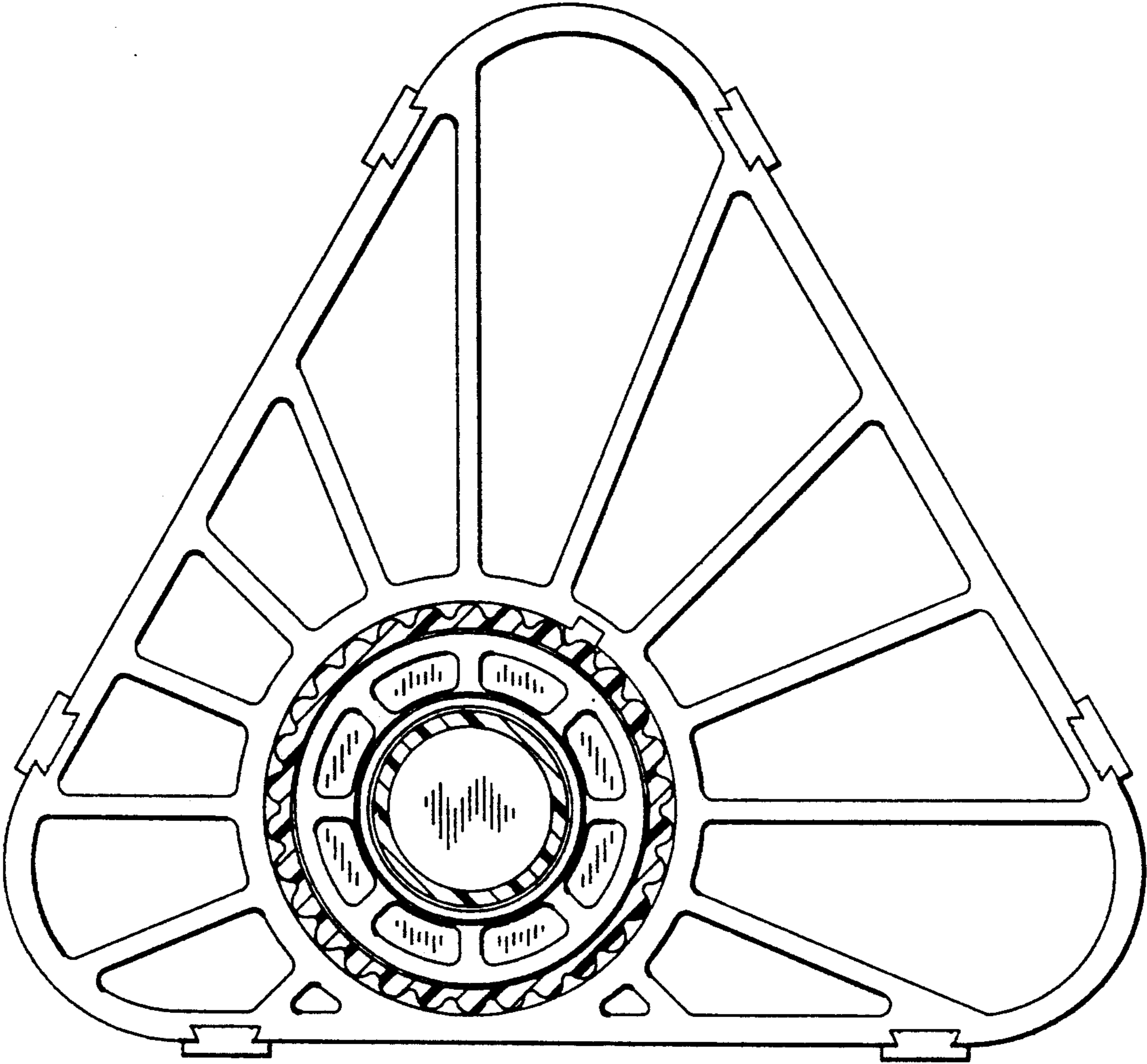


Fig. 6