



US00D345466S

United States Patent [19]

[11] Patent Number: **Des. 345,466**

Brouse

[45] Date of Patent: **** Mar. 29, 1994**

[54] **COMBINED TOOTHBRUSH HANDLE AND TOOTHBRUSH HEAD COVER**

[76] Inventor: **Jon R. Brouse**, 11832 Beach Club Way, Malibu, Calif. 90265

[**] Term: **14 Years**

[21] Appl. No.: **894,793**

[22] Filed: **Jun. 5, 1992**

[52] U.S. Cl. **D4/108; D19/51; D19/56**

[58] Field of Search **D4/104, 108, 113, 116, D4/199; 15/105, 184; 132/308, 311, 313; 206/361, 15.2, 362.2; 401/243-247; D19/43, 45-46, 51, 56-57**

[56] **References Cited**

U.S. PATENT DOCUMENTS

D. 258,852 4/1981 Clark D4/108

D. 272,582 2/1984 Shephard D4/116
D. 318,761 8/1991 Parhiskari D4/108
D. 323,529 1/1992 Rousseau D19/51
662,796 11/1890 Kraus 401/243 X

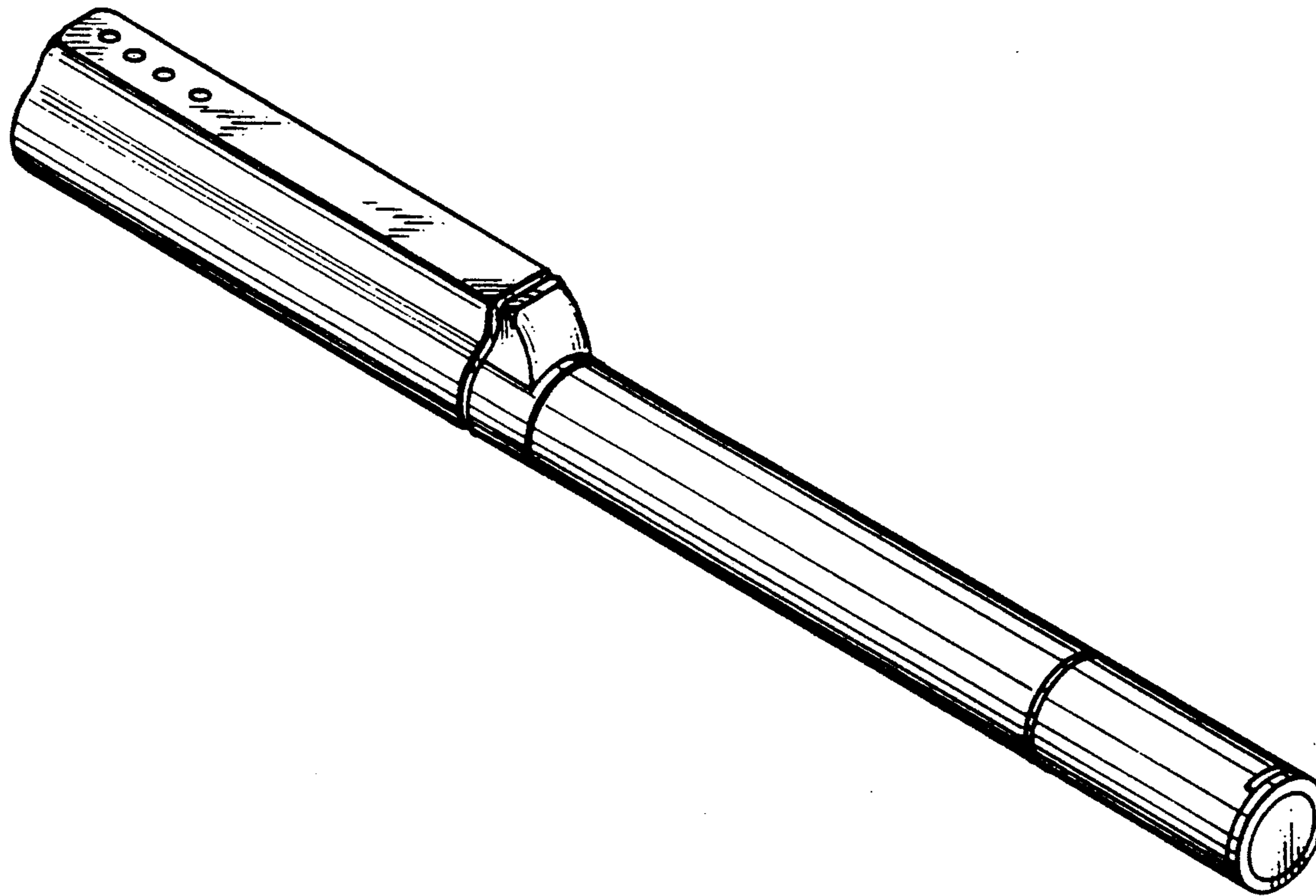
Primary Examiner—Wallace R. Burke
Assistant Examiner—Lavone D. Tabor

[57] **CLAIM**

The ornamental design for a combined toothbrush handle and toothbrush head cover, as shown and described.

DESCRIPTION

FIG. 1 is a perspective view of my combined toothbrush handle and toothbrush head cover;
FIG. 2 is a left side, elevational view with the right side, elevational view being mirror image thereof;
FIG. 3 is a top view thereof;
FIG. 4 is a bottom view thereof;
FIG. 5 is a front view thereof; and,
FIG. 6 is a rear view thereof.



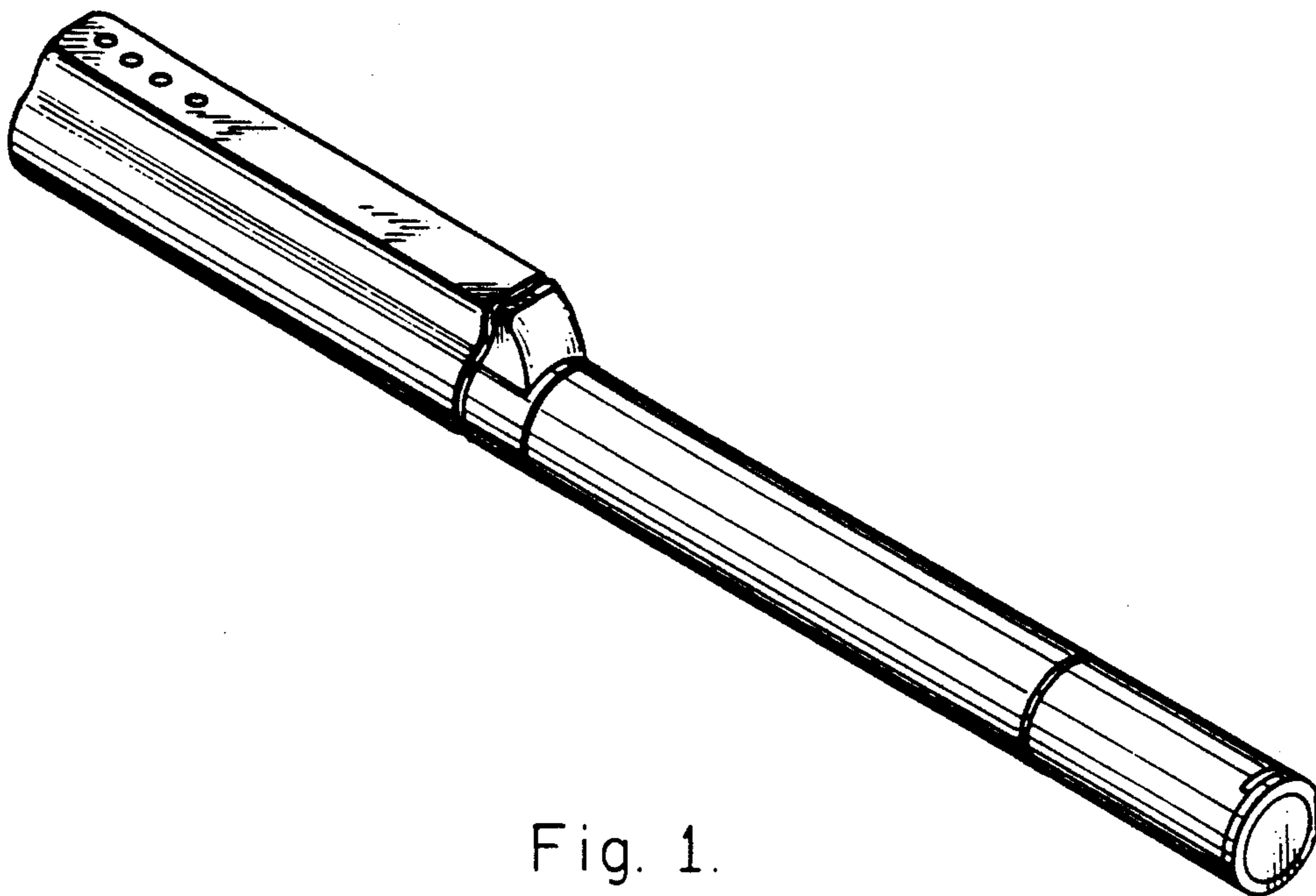


Fig. 1.

Fig. 2.

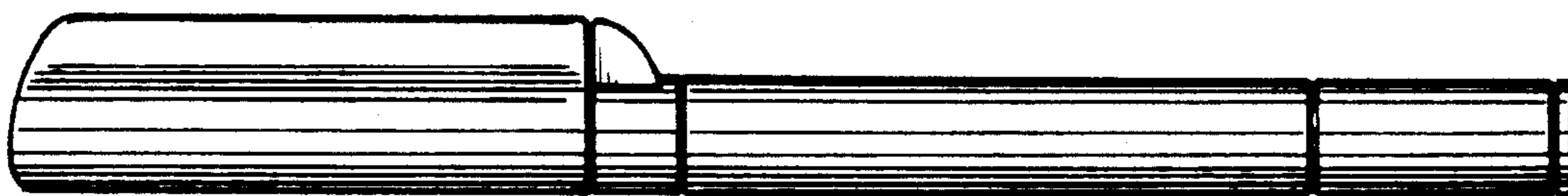


Fig. 3.

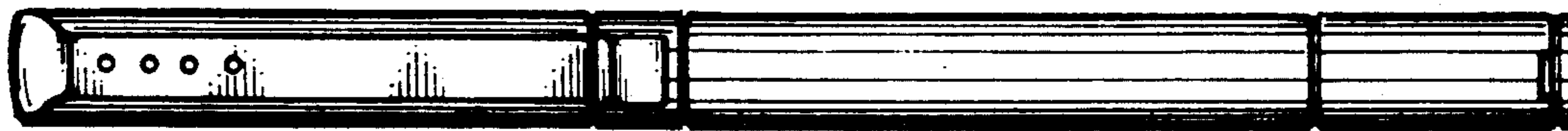


Fig. 4.

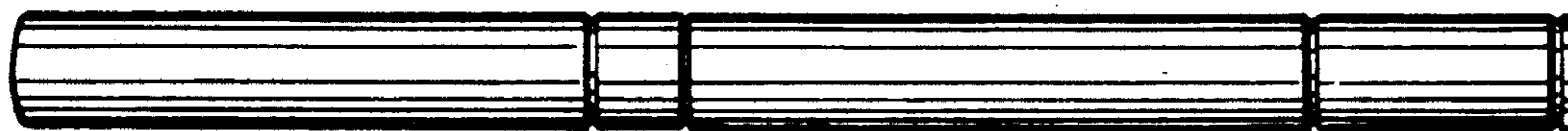


Fig. 5.



Fig. 6.

