



US00D345465S

United States Patent [19] Greig

[11] Patent Number: **Des. 345,465**
[45] Date of Patent: **** Mar. 29, 1994**

[54] **TOOL HANGER**
[76] Inventor: **Al Greig, 152 Franklin St.,
Bloomfield, N.J. 07003**
[**] Term: **14 Years**
[21] Appl. No.: **839,492**
[22] Filed: **Feb. 20, 1992**
[52] U.S. Cl. **D8/70; D3/215**
[58] Field of Search **D3/105, 106; 224/195,
224/269, 197, 252, 904, 255, 224, 222, 914**

4,771,927 9/1988 Ventura 224/252
4,819,847 4/1989 Anderson 224/252
4,828,153 5/1989 Guzik et al. 224/242
4,936,499 6/1990 Gulley 224/252
4,951,857 8/1990 Carr 224/230

Primary Examiner—A. Hugo Word
Assistant Examiner—Doris V. Coles
Attorney, Agent, or Firm—Gerald E. Hespos; Anthony
J. Casella

[56] **References Cited**
U.S. PATENT DOCUMENTS

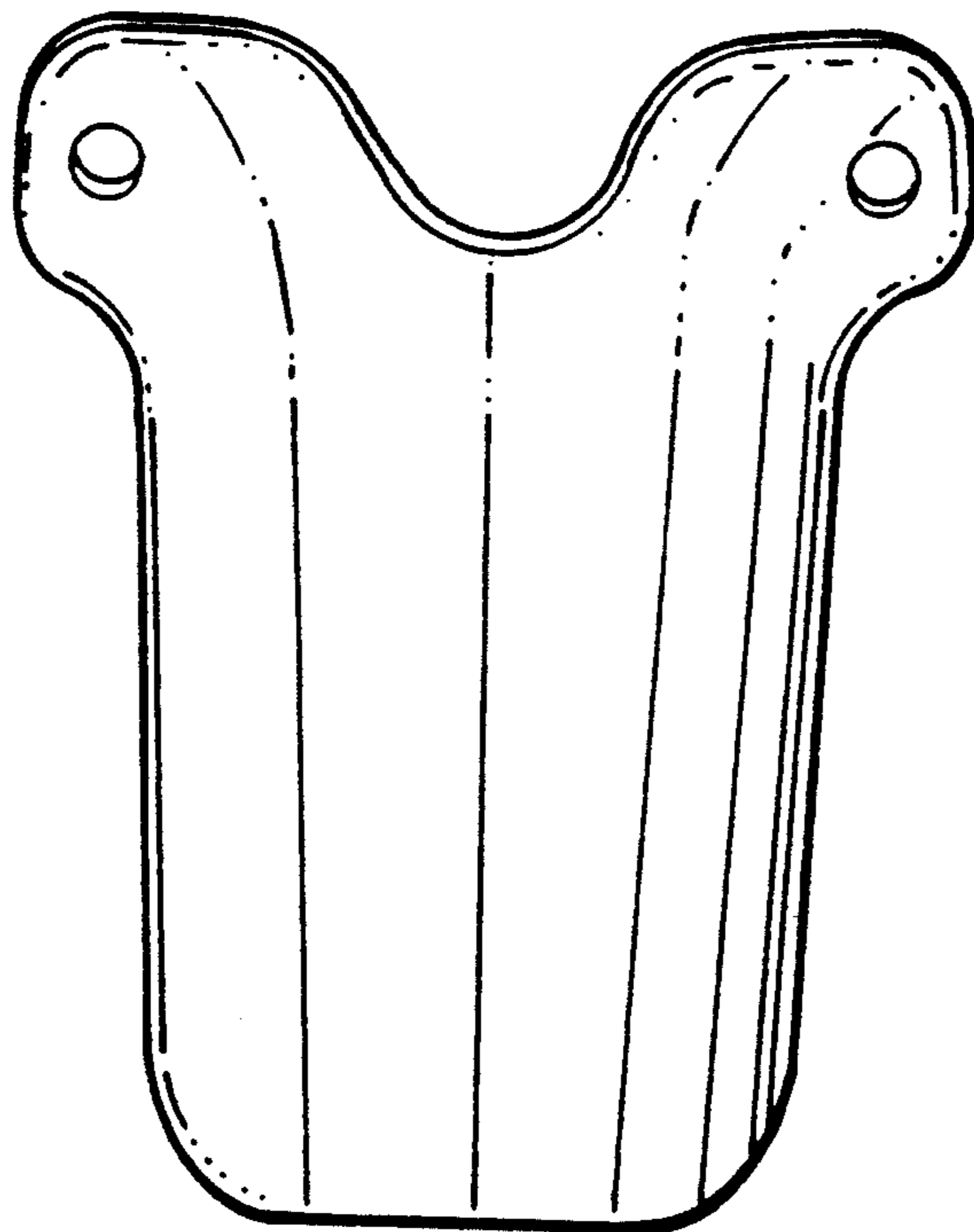
857,680 6/1907 Schulz .
2,006,773 7/1935 Moore et al. .
2,138,978 12/1938 Meine 224/252
3,384,277 5/1968 Hodelka .
4,056,218 11/1977 Barna 224/255
4,214,688 7/1980 Griffin, Jr. 224/197
4,419,794 12/1983 Horton, Jr. et al. 224/197 X
4,677,362 6/1987 House, II et al. 224/904 X
4,718,586 1/1988 Hagino 224/197 X
4,746,042 5/1988 King 224/148
4,754,528 7/1988 Lyons et al. 224/252 X

[57] **CLAIM**

The ornamental design of a tool hanger, as shown and described.

DESCRIPTION

FIG. 1 is a front elevational view of a tool hanger, showing my new design;
FIG. 2 is a right side elevational view, the left side being a mirror image thereof;
FIG. 3 is a top plan view thereof;
FIG. 4 is a bottom plan view thereof;
FIG. 5 is a rear perspective view thereof; and,
FIG. 6 is a front perspective view thereof.
The broken line showing of environment in FIGS. 5 and 6 is for illustrative purposes only and forms no part of the claimed design.



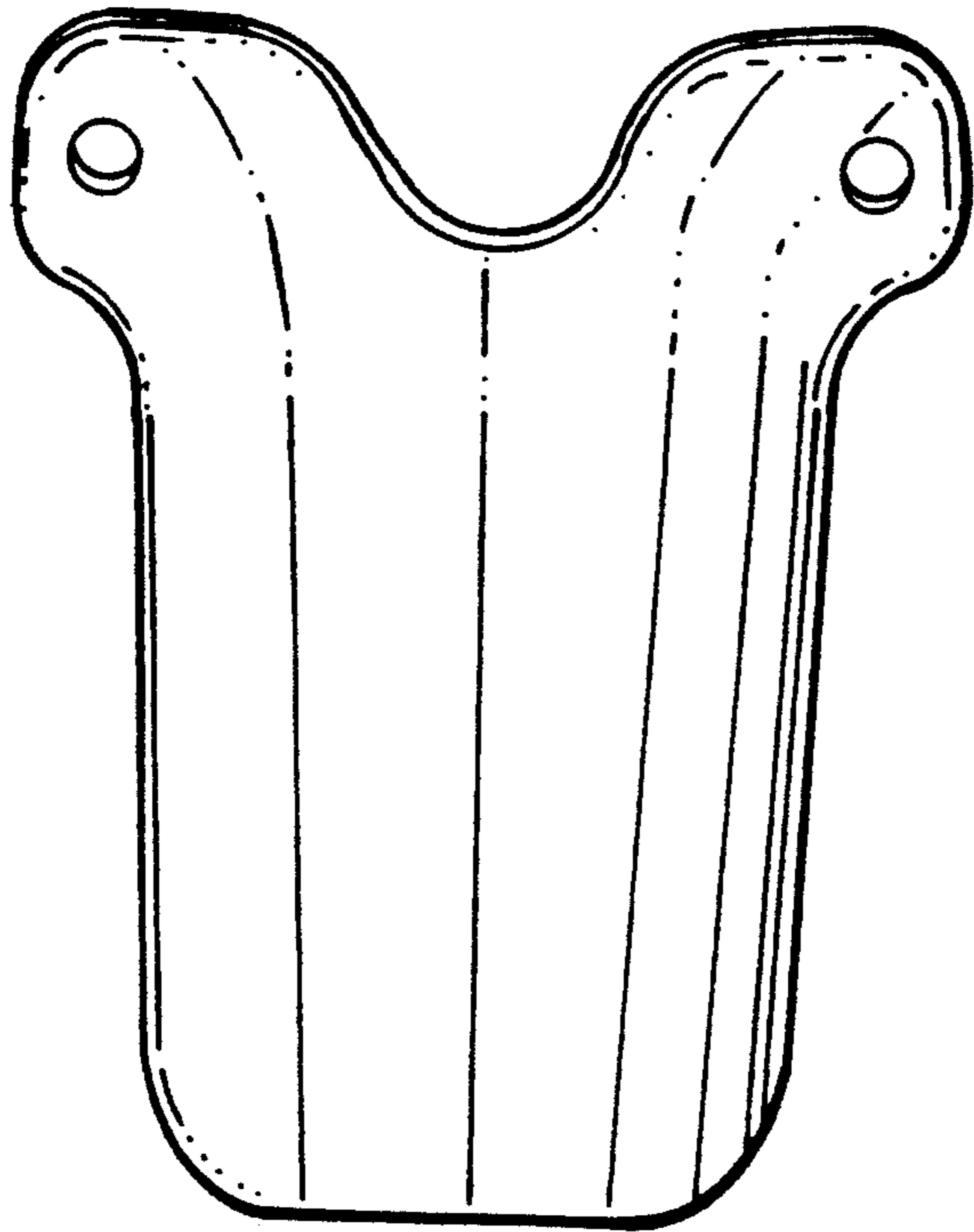


FIG. 1



FIG. 2

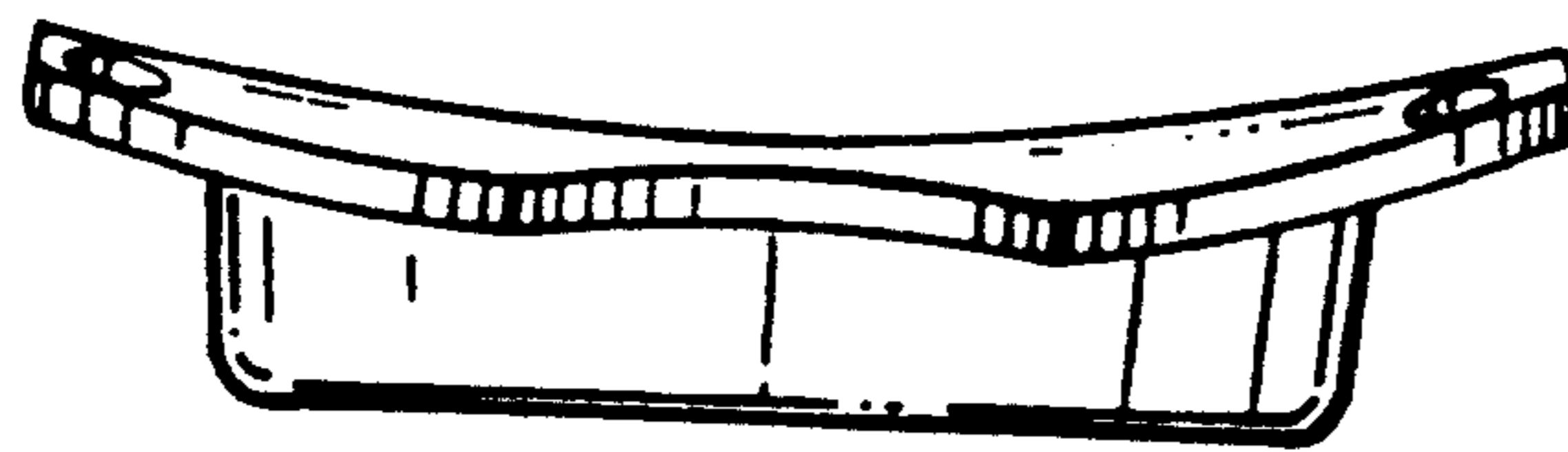


FIG. 3

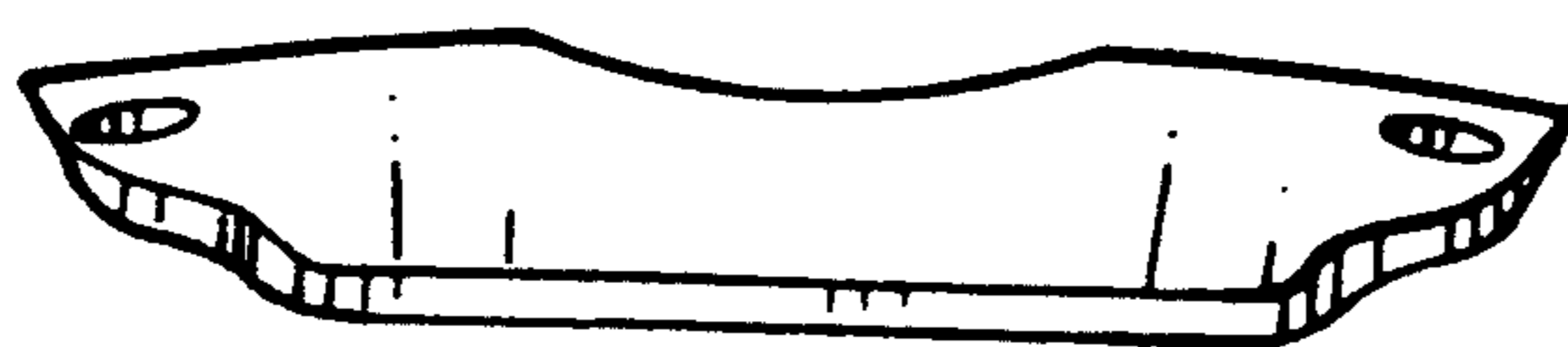


FIG. 4

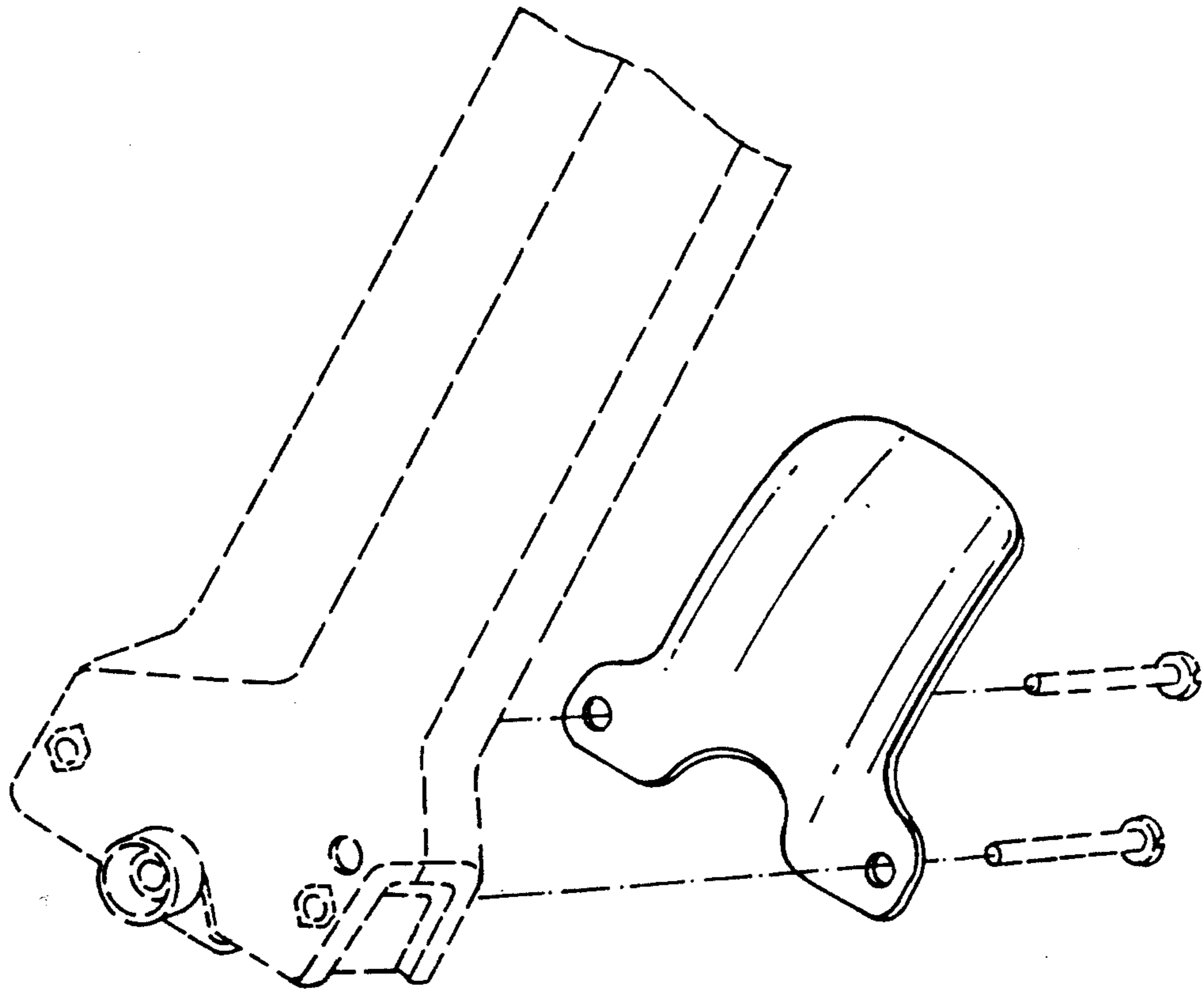


FIG. 5

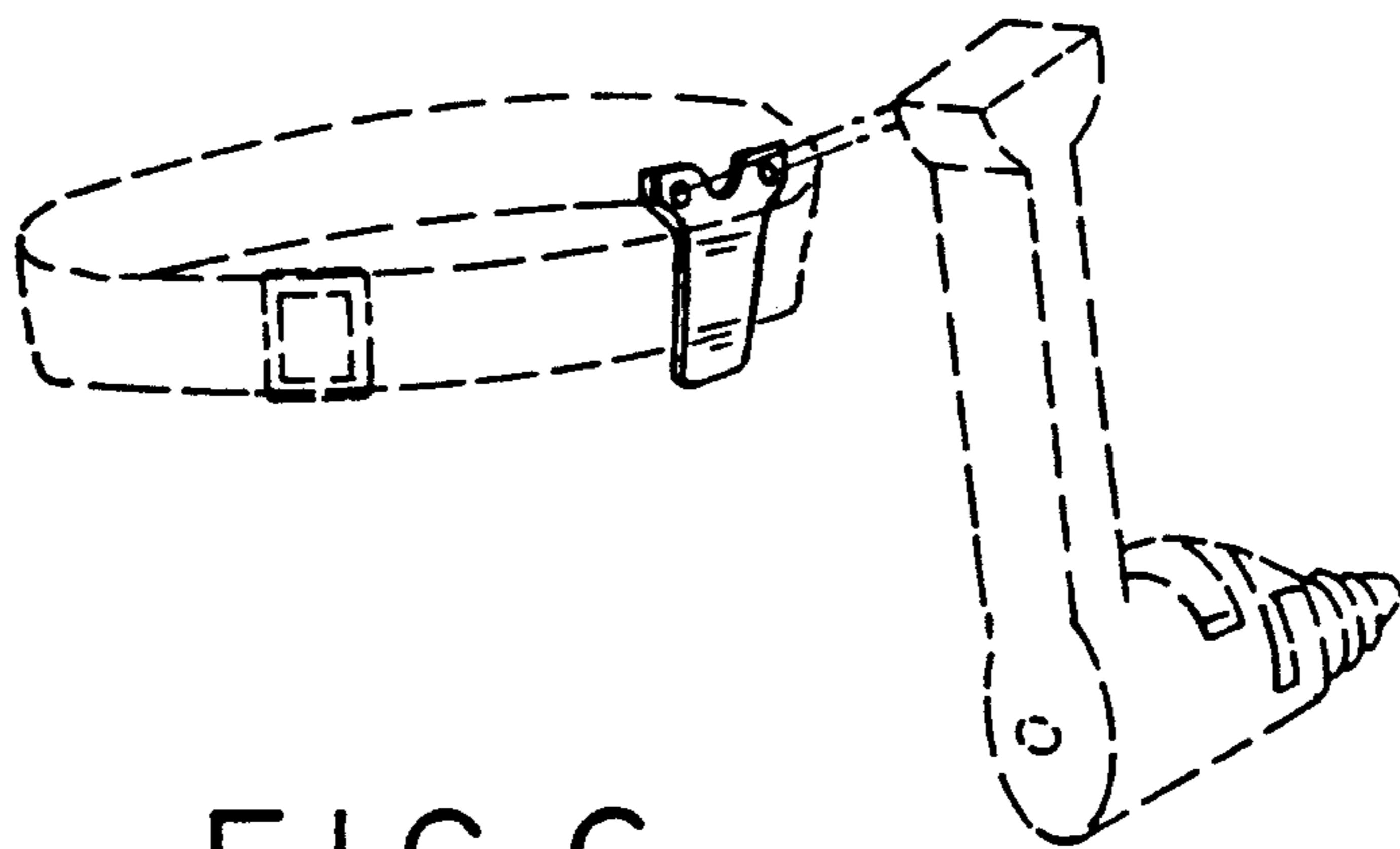


FIG. 6