



US00D345464S

United States Patent [19]

[11] Patent Number: **Des. 345,464**

Coronel

[45] Date of Patent: **** Mar. 29, 1994**

[54] **CONDOM WALLET**

[76] Inventor: **Lucas Coronel**, P.O. Box 1238, La Quinta, Calif. 92253

[**] Term: **14 Years**

[21] Appl. No.: **884,080**

[22] Filed: **May 15, 1992**

[52] U.S. Cl. **D3/295; D3/247**

[58] Field of Search **D3/74, 76, 78, 30.1, D3/40, 56, 33, 60, 58, 39, 71, 42, 43; 150/147, 149; 190/115; 206/69, 38 R, 223, 438, 315.11; 128/918, 884; D9/432, 418; D28/78**

[56] **References Cited**

U.S. PATENT DOCUMENTS

D. 116,977	10/1939	Bellau	D3/39
D. 188,406	7/1960	Berg	D3/77
D. 318,565	7/1991	Kearney et al.	D3/30.1
D. 336,849	6/1993	Golias	D9/423
1,815,568	7/1931	Jacqmein	206/315.11
2,053,630	9/1936	Plotkin	190/115
3,124,240	3/1964	Croan	206/223 X

3,659,640	5/1972	Fenster et al.	150/147
3,970,130	7/1976	Casey	D3/56 X
4,892,188	1/1990	Meadows	206/69 X

Primary Examiner—Melvin B. Feifer
Assistant Examiner—Paula Mortimer
Attorney, Agent, or Firm—Fulwider, Patton, Lee & Utecht

[57] CLAIM

The ornamental design for a condom wallet, as shown and described.

DESCRIPTION

FIG. 1 is a front perspective view of a condom wallet showing my new design;
FIG. 2 is a front perspective view thereof in an open position;
FIG. 3 is a top plan view thereof the bottom is a mirror image;
FIG. 4 is a front elevational view thereof the rear is a mirror image; and,
FIG. 5 is a side elevational view the opposite side is a mirror image.

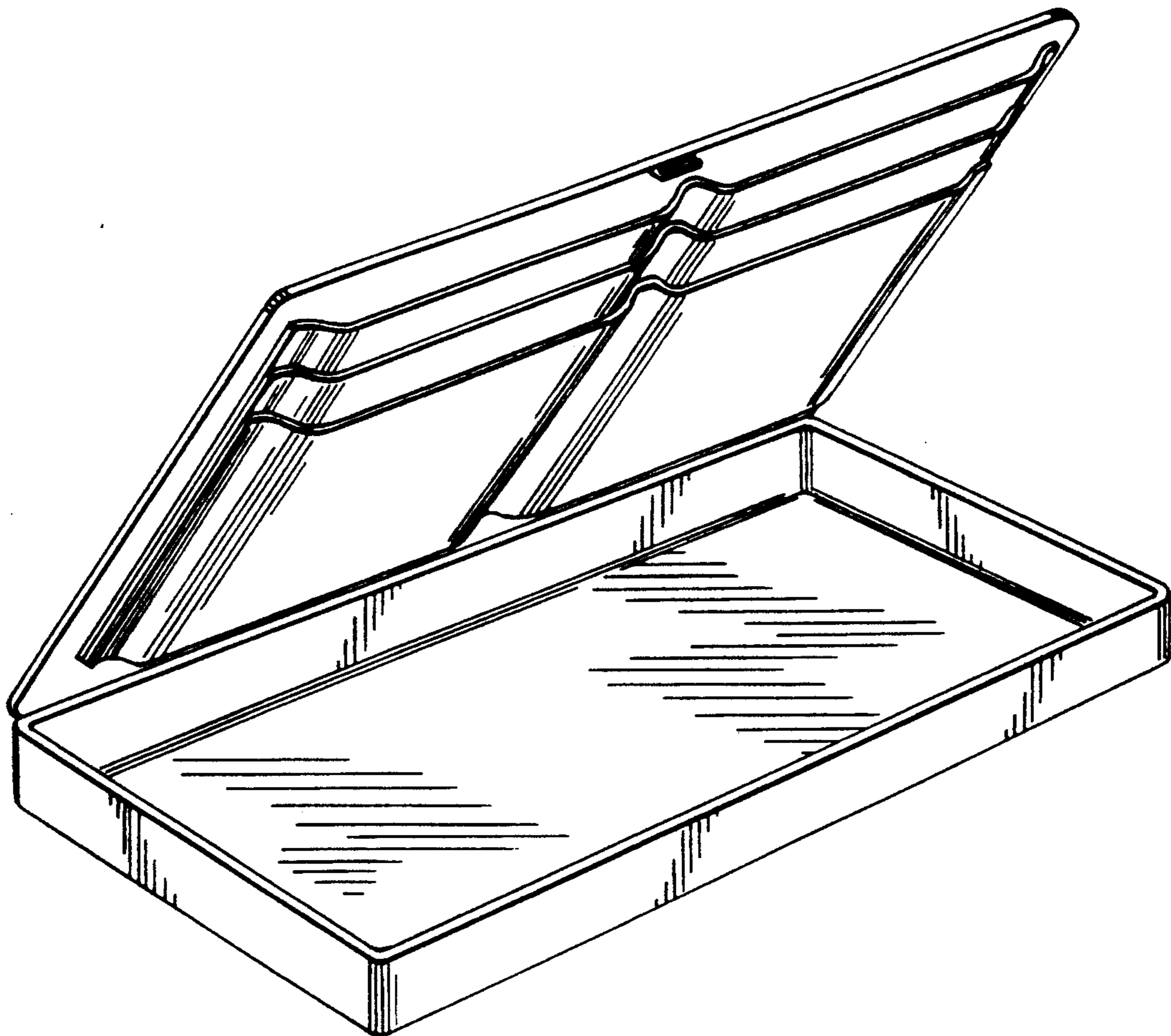


FIG. 1

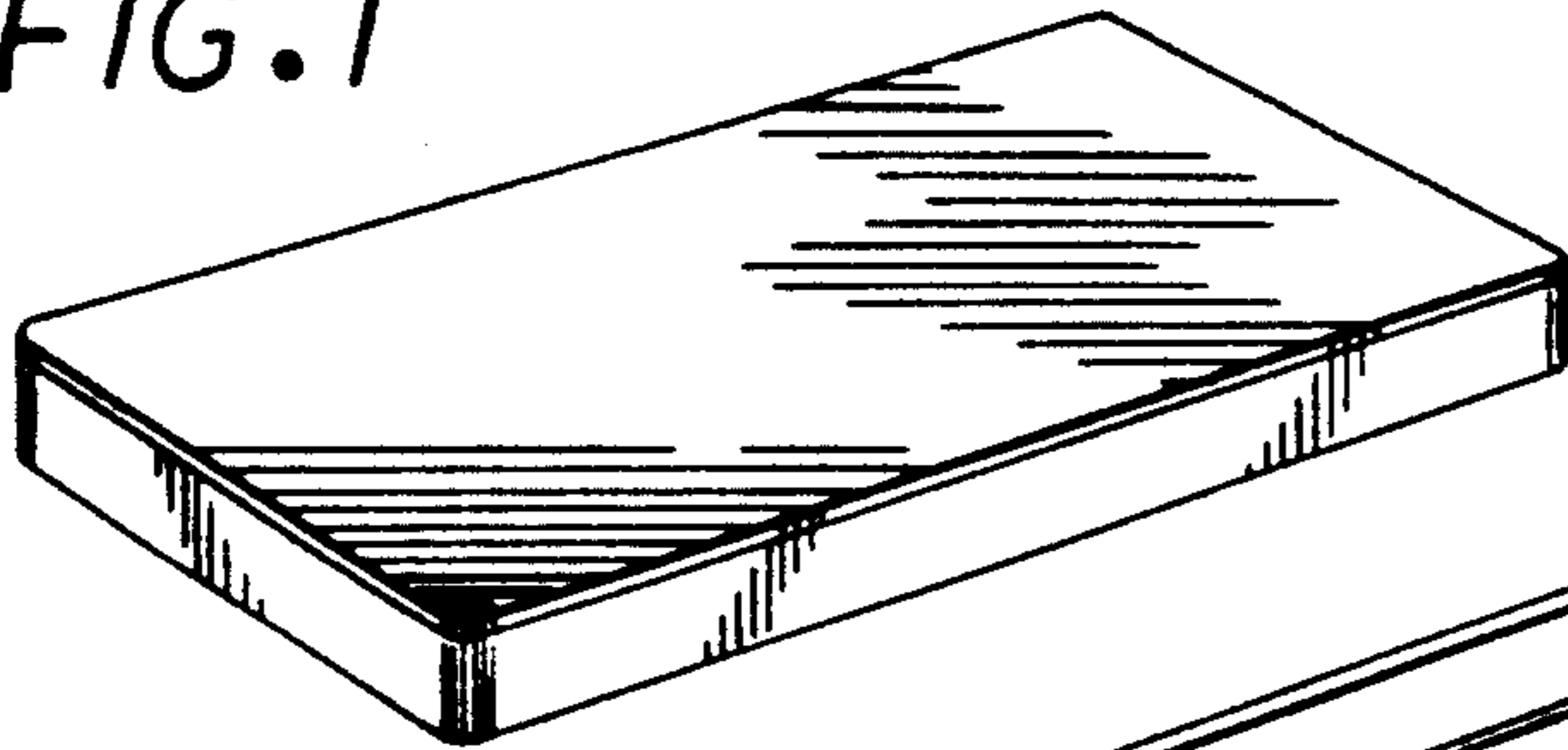


FIG. 2

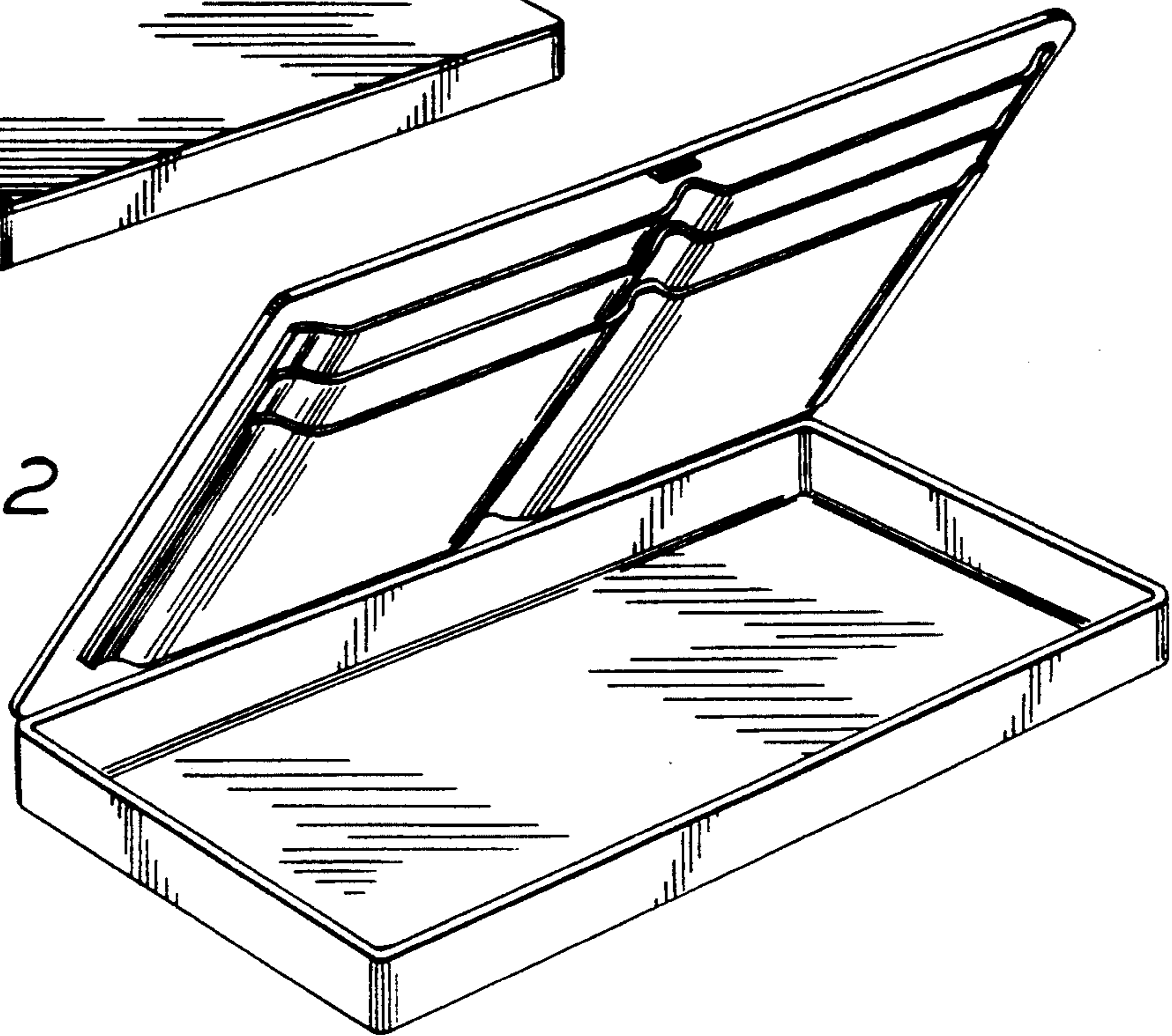


FIG. 3

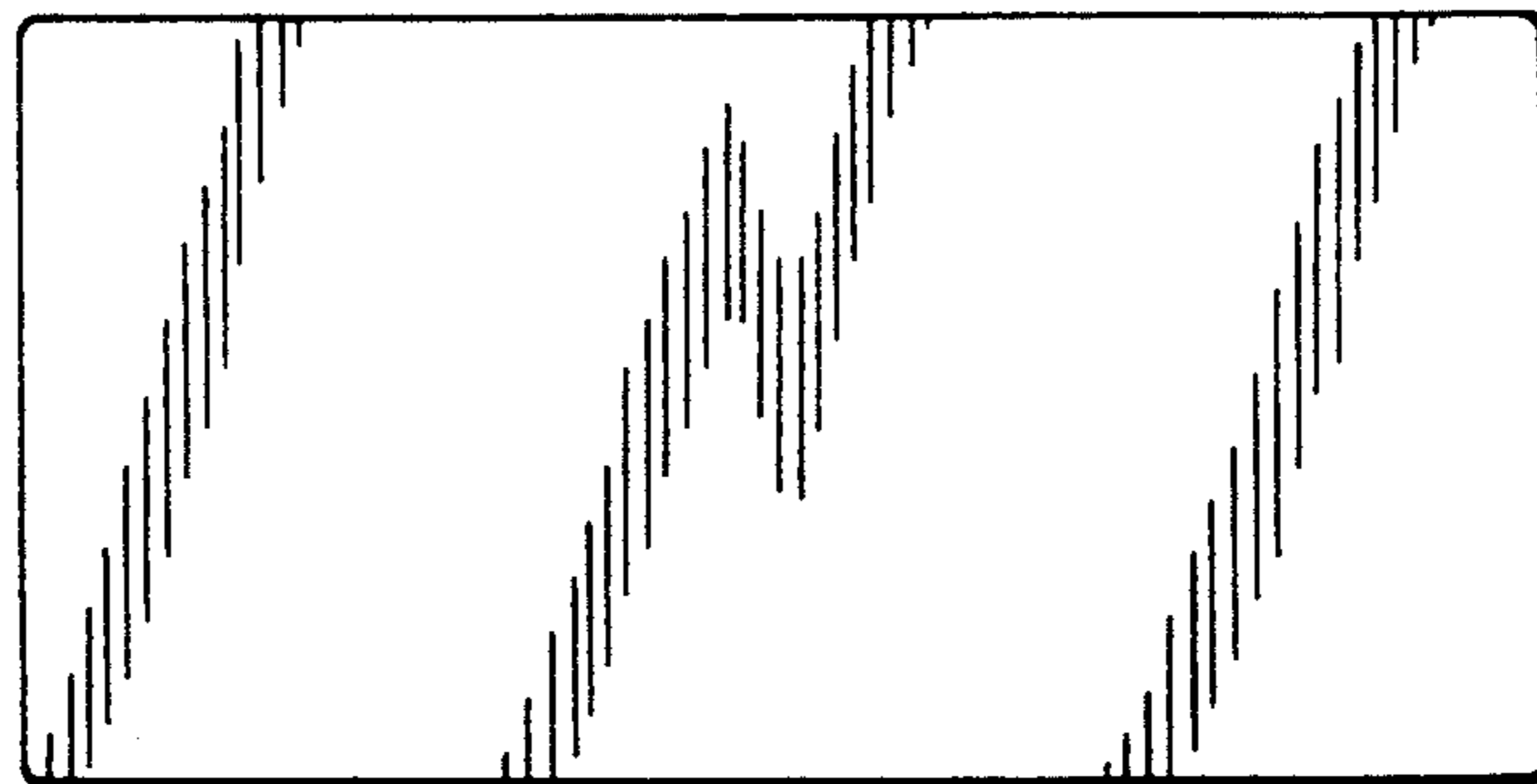


FIG. 4



FIG. 5

