



US00D345457S

United States Patent [19]

Friend

[11] Patent Number: **Des. 345,457**

[45] Date of Patent: **** Mar. 29, 1994**

[54] FOOT ELEVATOR

5,075,984 12/1991 Shlew 36/81 X

[76] Inventor: **John H. Friend**, 10200 Arno Rd.,
Galt, Calif. 95632

Primary Examiner—Louis S. Zarfes
Attorney, Agent, or Firm—Basil Travis

[**] Term: **14 Years**

[57] **CLAIM**

[21] Appl. No.: **2,837**

The ornamental design for a foot elevator, as shown and described.

[22] Filed: **Dec. 21, 1992**

DESCRIPTION

[52] U.S. Cl. **D2/946; D2/915**

[58] Field of Search **D2/846, 909, 914, 915,**
D2/922, 946, 964; 36/81, 113, 132, 136

FIG. 1 is a right side elevational view of a foot elevator showing my new design, the broken lines illustrating a human foot are for illustrative purposes only and form no part of the claimed design;

[56] **References Cited**

U.S. PATENT DOCUMENTS

D. 288,862	3/1987	Scott	D2/915
1,537,761	5/1925	Geisman	36/113 X
1,938,617	12/1933	Augusta	36/81
2,572,671	10/1951	Shaw	36/113 X
2,588,919	3/1952	Gredell	36/113 X

FIG. 2 is a left side elevational view;

FIG. 3 is a top plan view;

FIG. 4 is a bottom plan view;

FIG. 5 is a front perspective view;

FIG. 6 is a perspective view from the top and left side; and,

FIG. 7 is a rear elevational view.

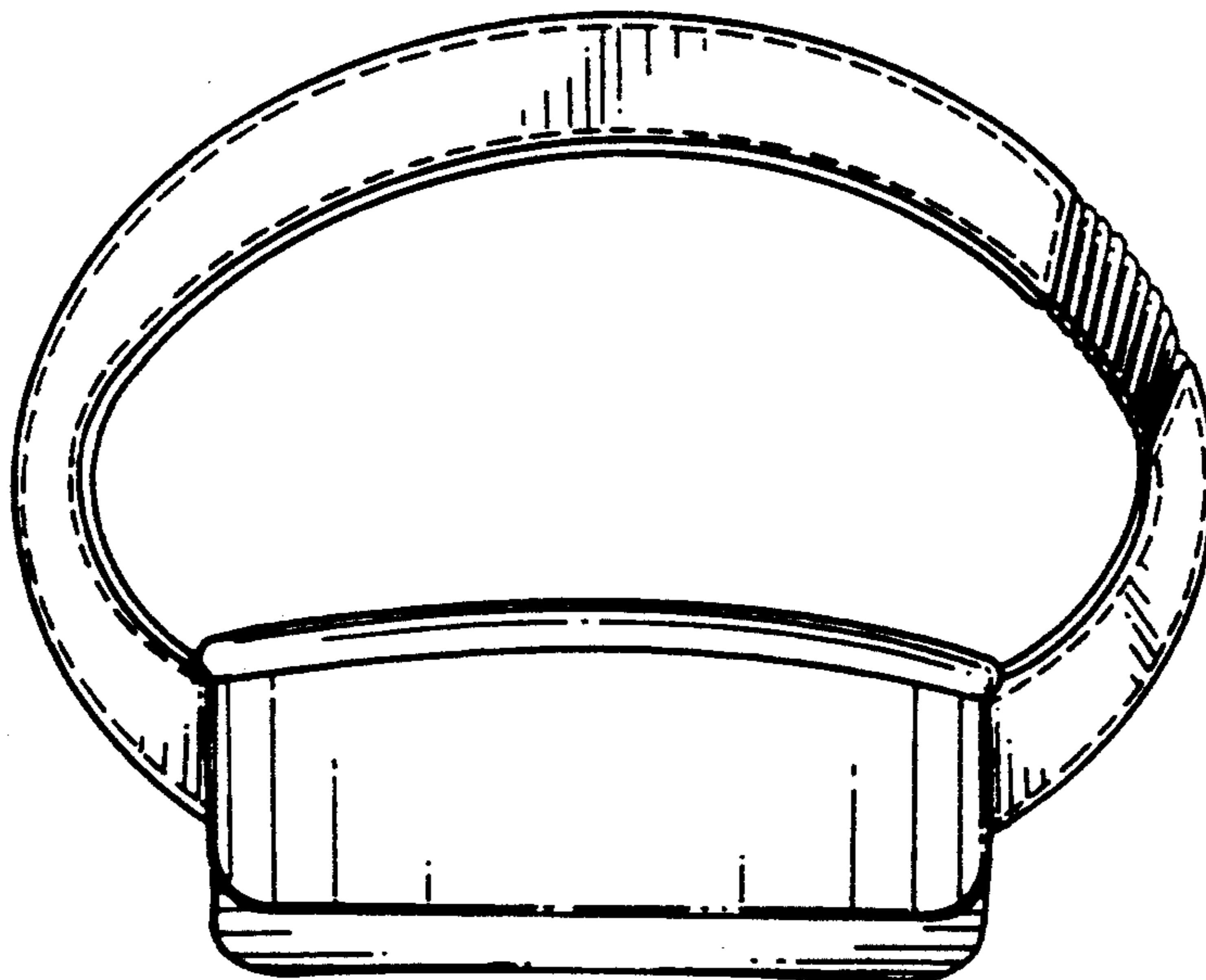


FIG. 1

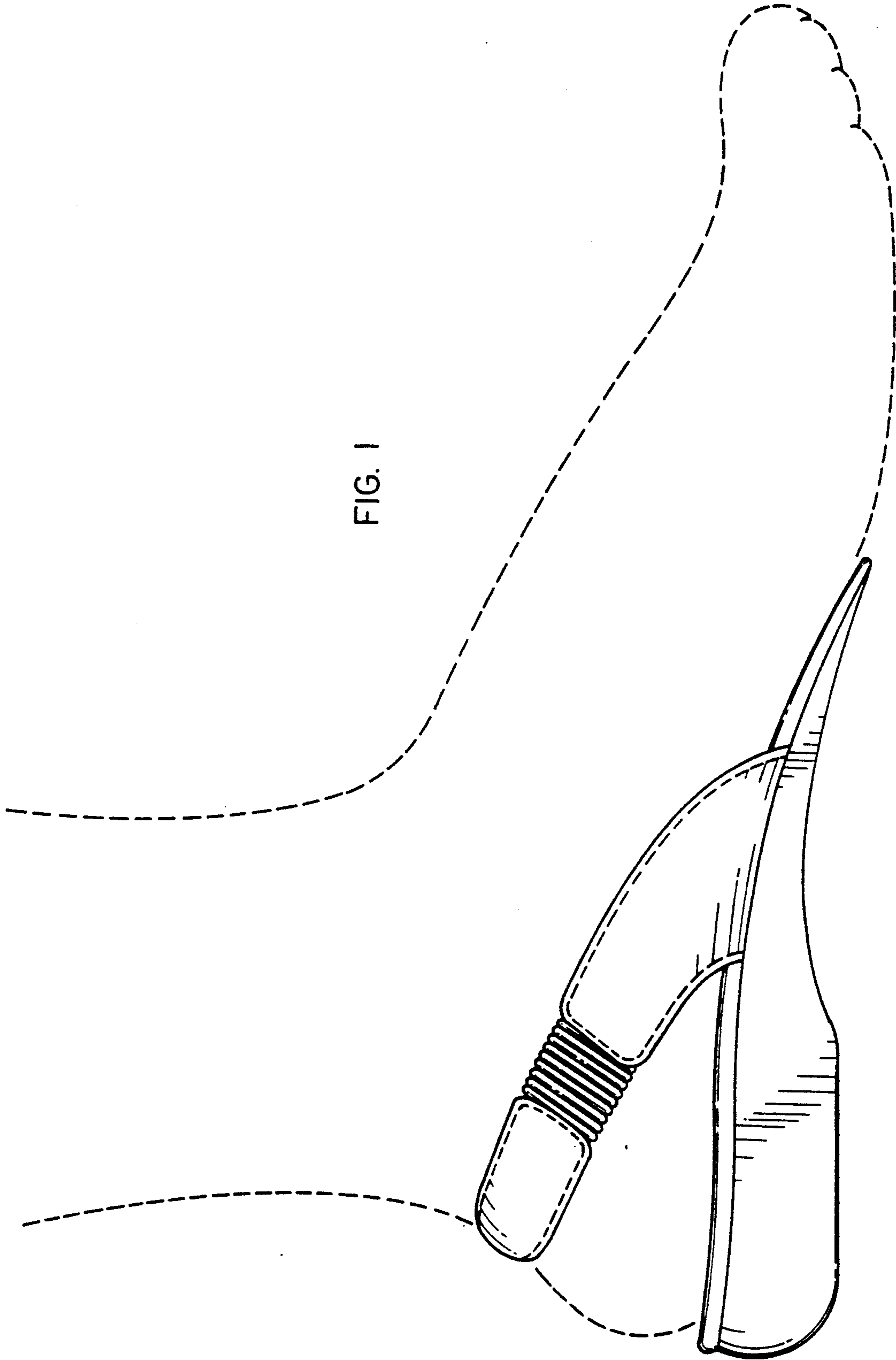


FIG. 2

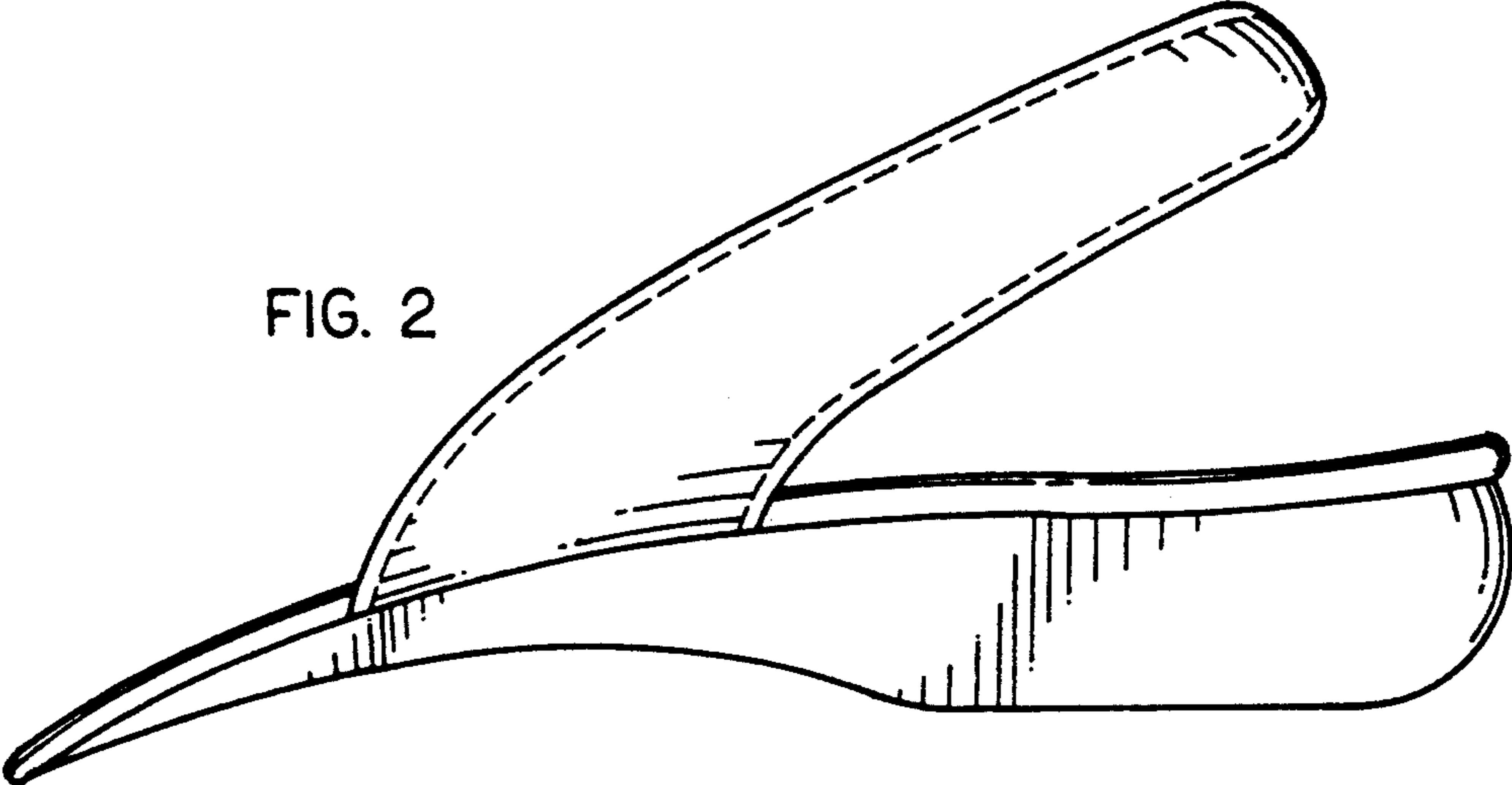


FIG. 3

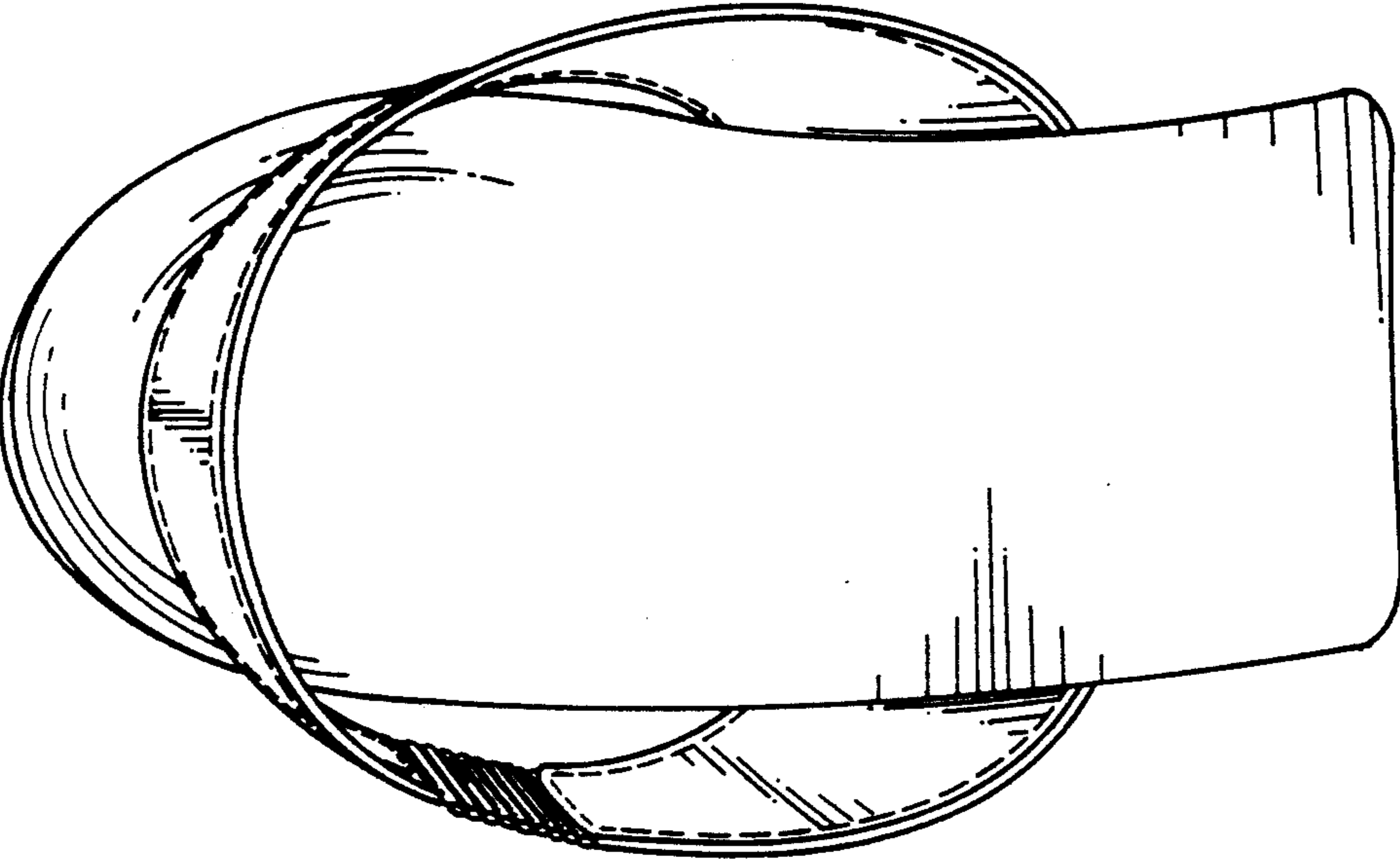
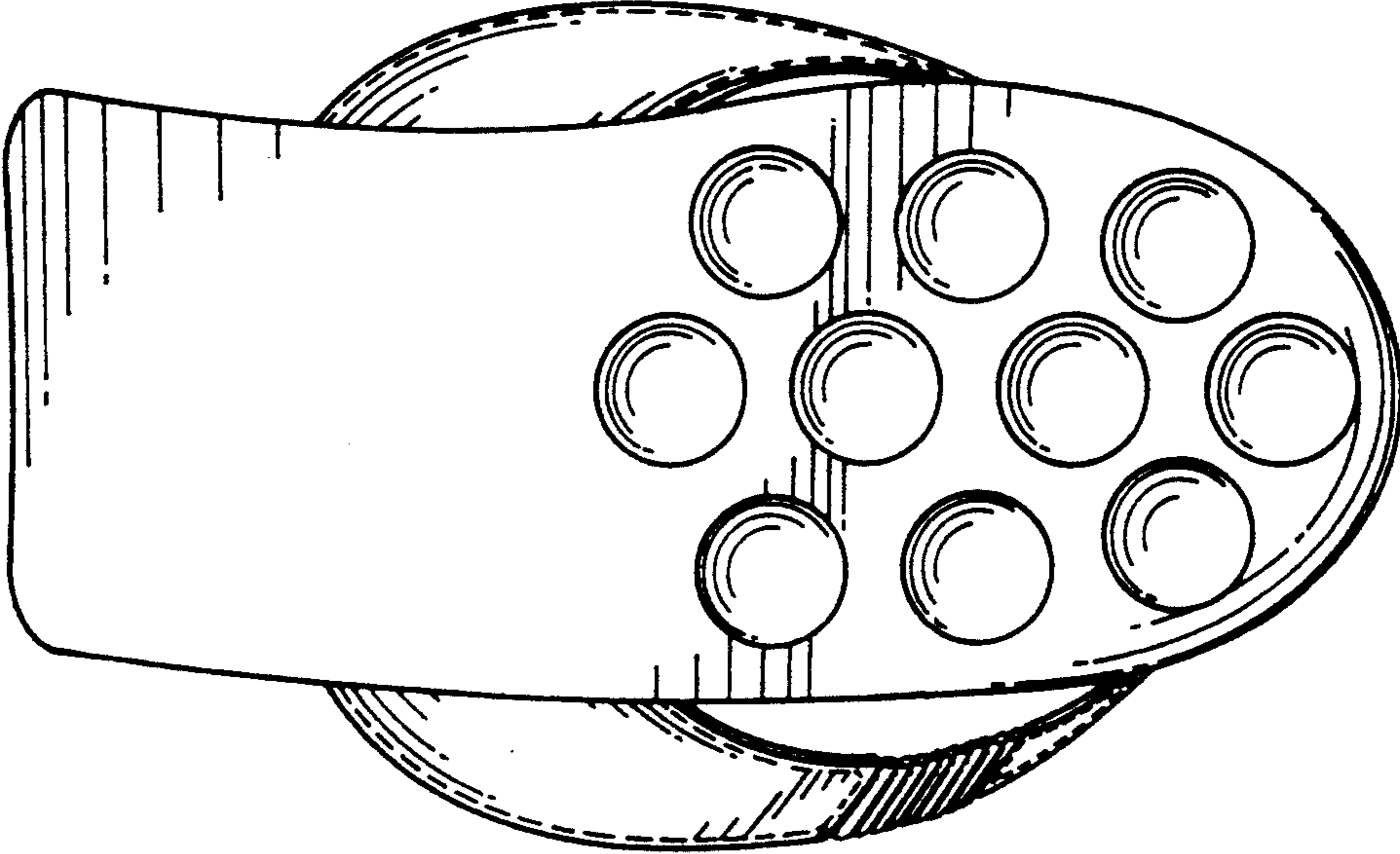


FIG. 4



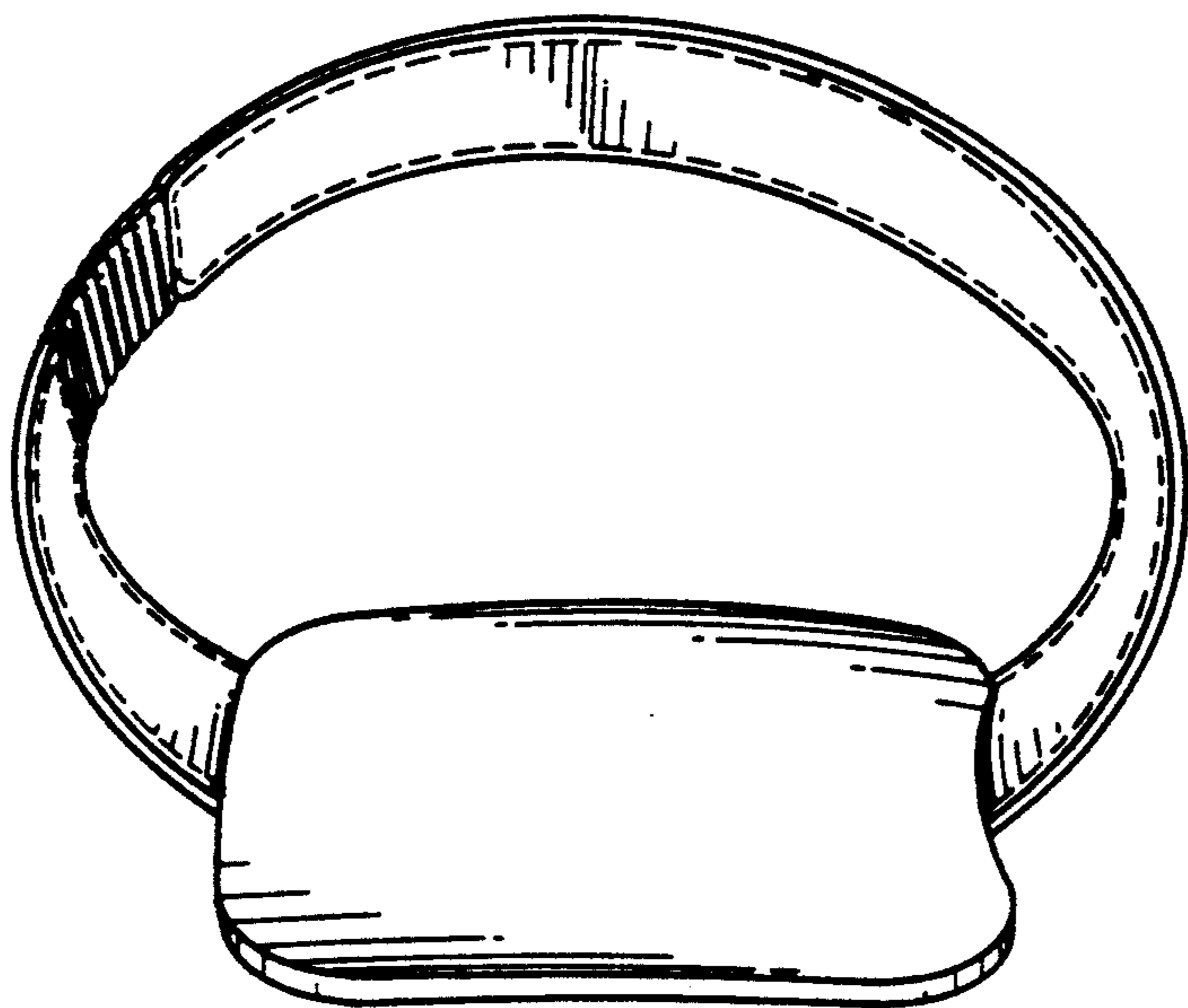
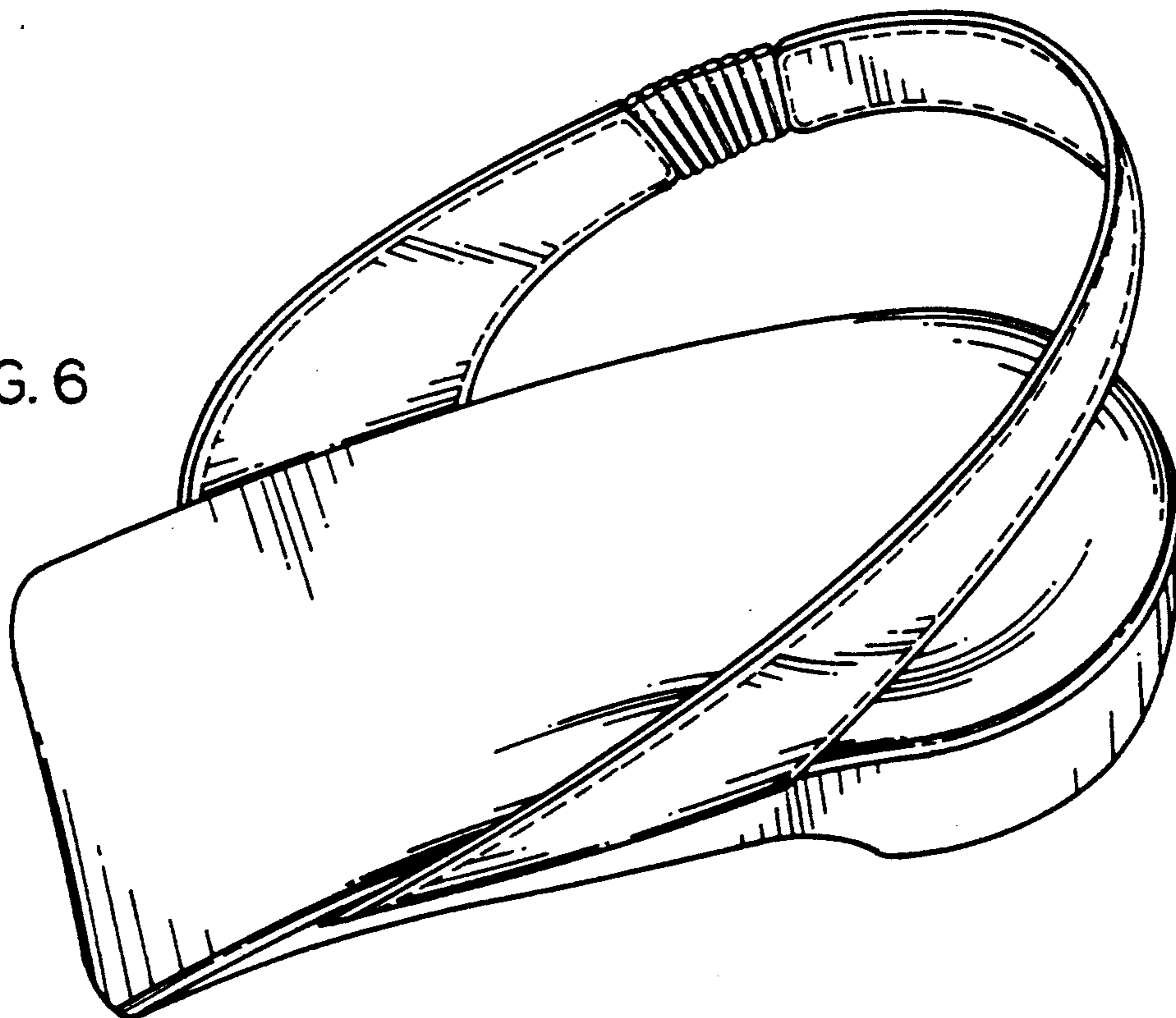


FIG. 5

FIG. 6



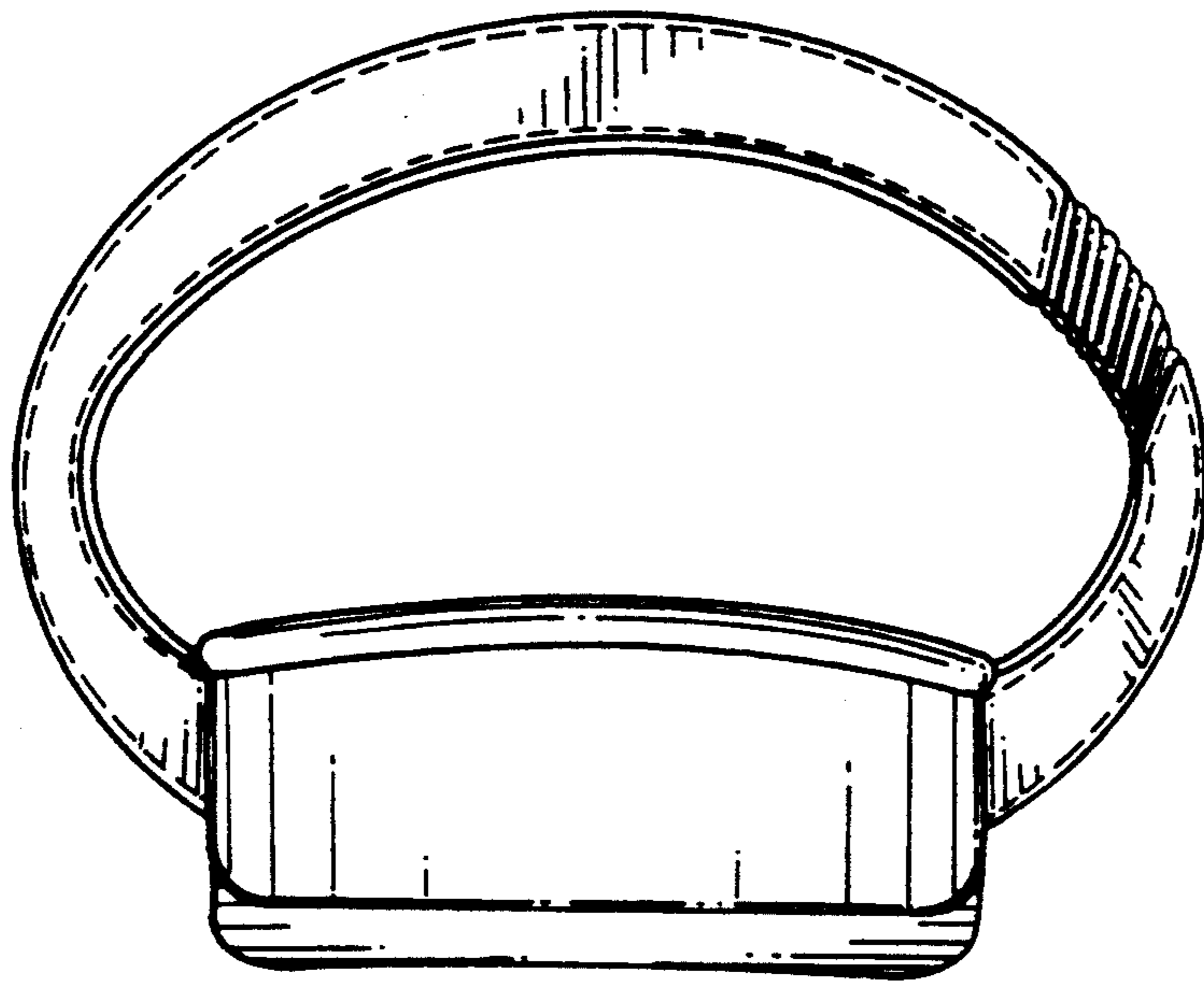


FIG. 7