



US00D345437S

United States Patent [19]

[11] Patent Number: **Des. 345,437**

Bruno

[45] Date of Patent: **** Mar. 22, 1994**

[54] ASHTRAY

| | | | | |
|------------|--------|-------------|-------|-------------|
| D. 303,298 | 9/1989 | Grant | | D27/135 X |
| 2,504,597 | 4/1950 | Sewald, Jr. | | 131/235.1 X |
| 3,952,753 | 4/1976 | Klingler | | 131/235.1 |
| 4,534,369 | 8/1985 | Jenkins | | 131/235.1 |

[75] Inventor: **Robert Bruno, Avon, Conn.**

[73] Assignee: **Pollenex Corporation, Kansas City, Mo.**

[**] Term: **14 Years**

Primary Examiner—Wallace R. Burke
Assistant Examiner—H. Baynham
Attorney, Agent, or Firm—Laff, Whitesel, Conte & Saret

[21] Appl. No.: **900,248**

[57] **CLAIM**

The ornamental design for an ashtray, as shown.

[22] Filed: **Jun. 17, 1992**

[52] U.S. Cl. **D27/105**

DESCRIPTION

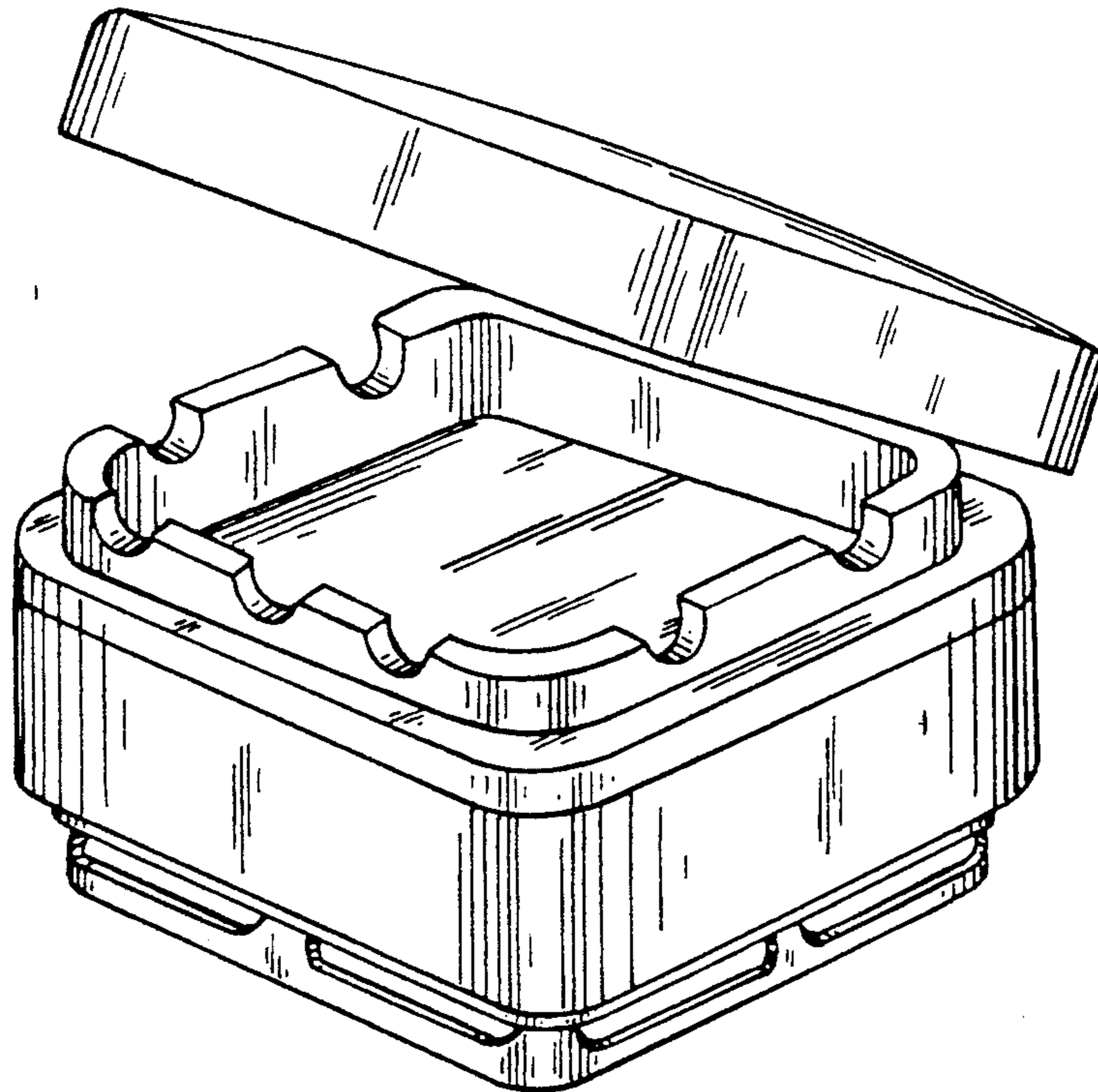
[58] Field of Search 131/235.1, 256;
D27/105, 135, 127

FIG. 1 is the front elevation of the ashtray;
FIG. 2 is a left side elevation of the ashtray;
FIG. 3 is a right side elevation of the ashtray;
FIG. 4 is a top plan view the ashtray;
FIG. 5 is a bottom plan view of the ashtray;
FIG. 6 is a back elevation of the ashtray; and,
FIG. 7 is a three-quarter perspective view taken from the front right of the ashtray.

[56] **References Cited**

U.S. PATENT DOCUMENTS

| | | | | |
|------------|---------|---------|-------|---------|
| D. 156,577 | 12/1949 | Strange | | D27/127 |
| D. 157,884 | 3/1950 | McNair | | D27/135 |
| D. 201,738 | 7/1965 | Karbo | | D27/135 |



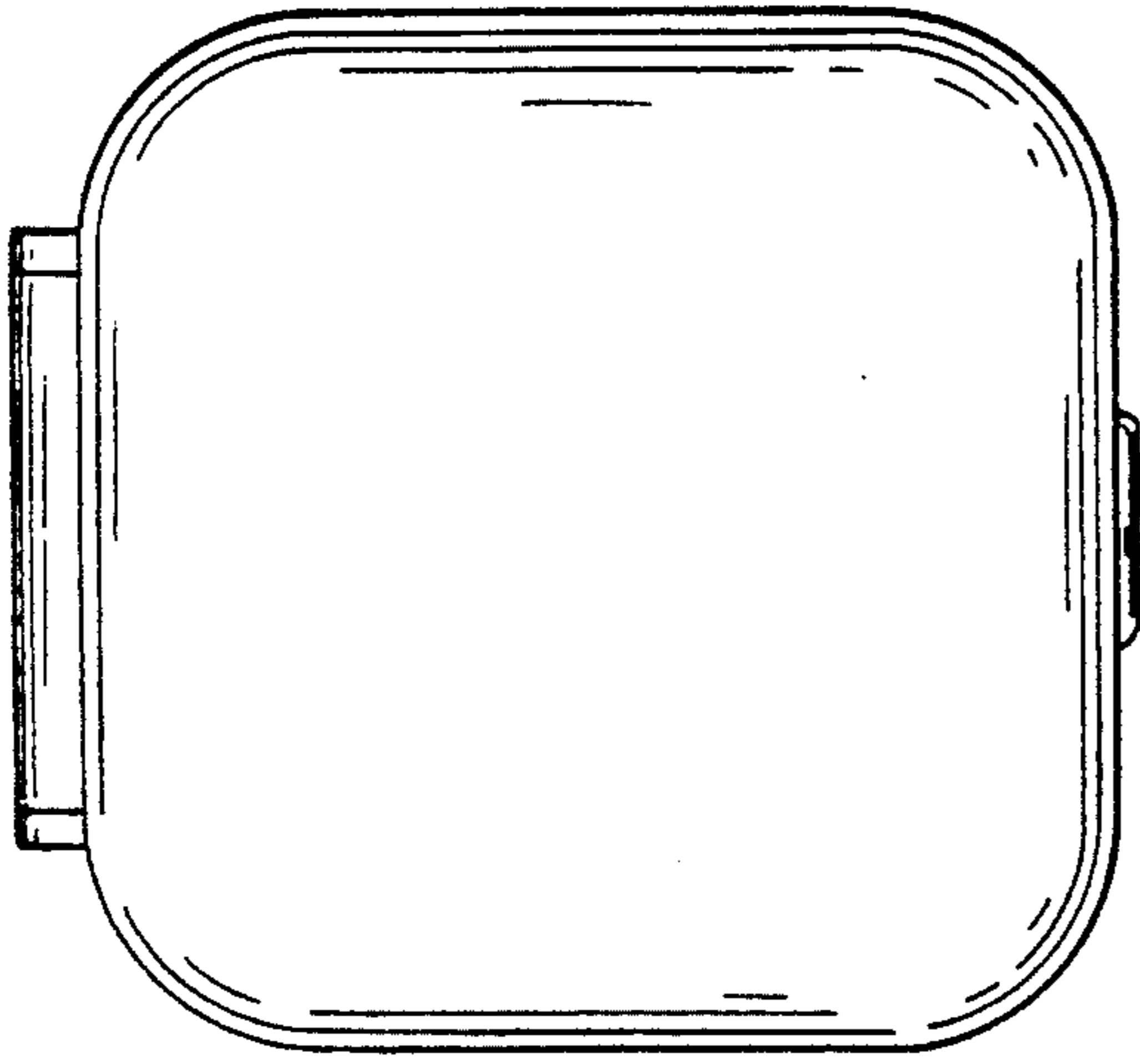


FIG. 4

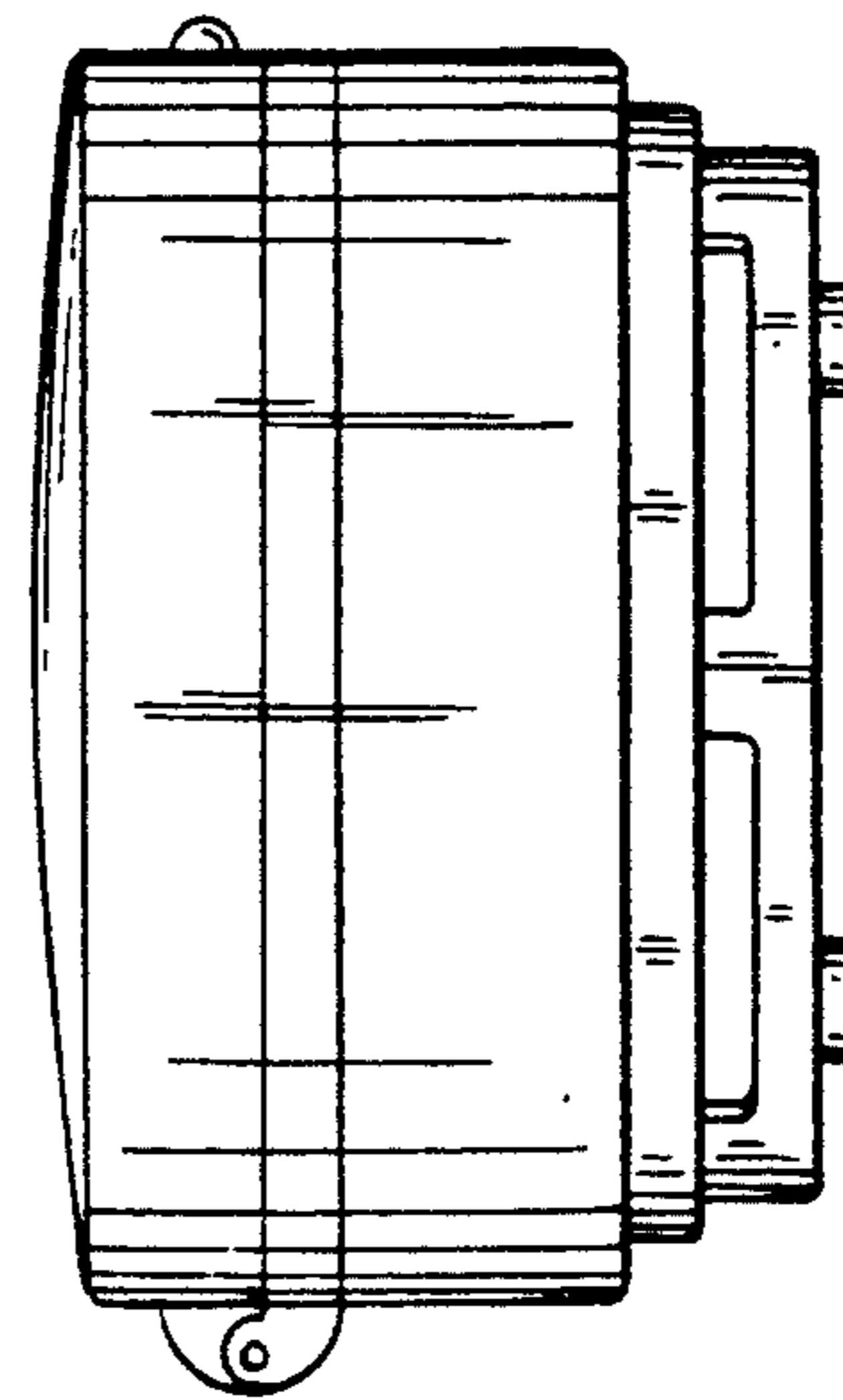


FIG. 2

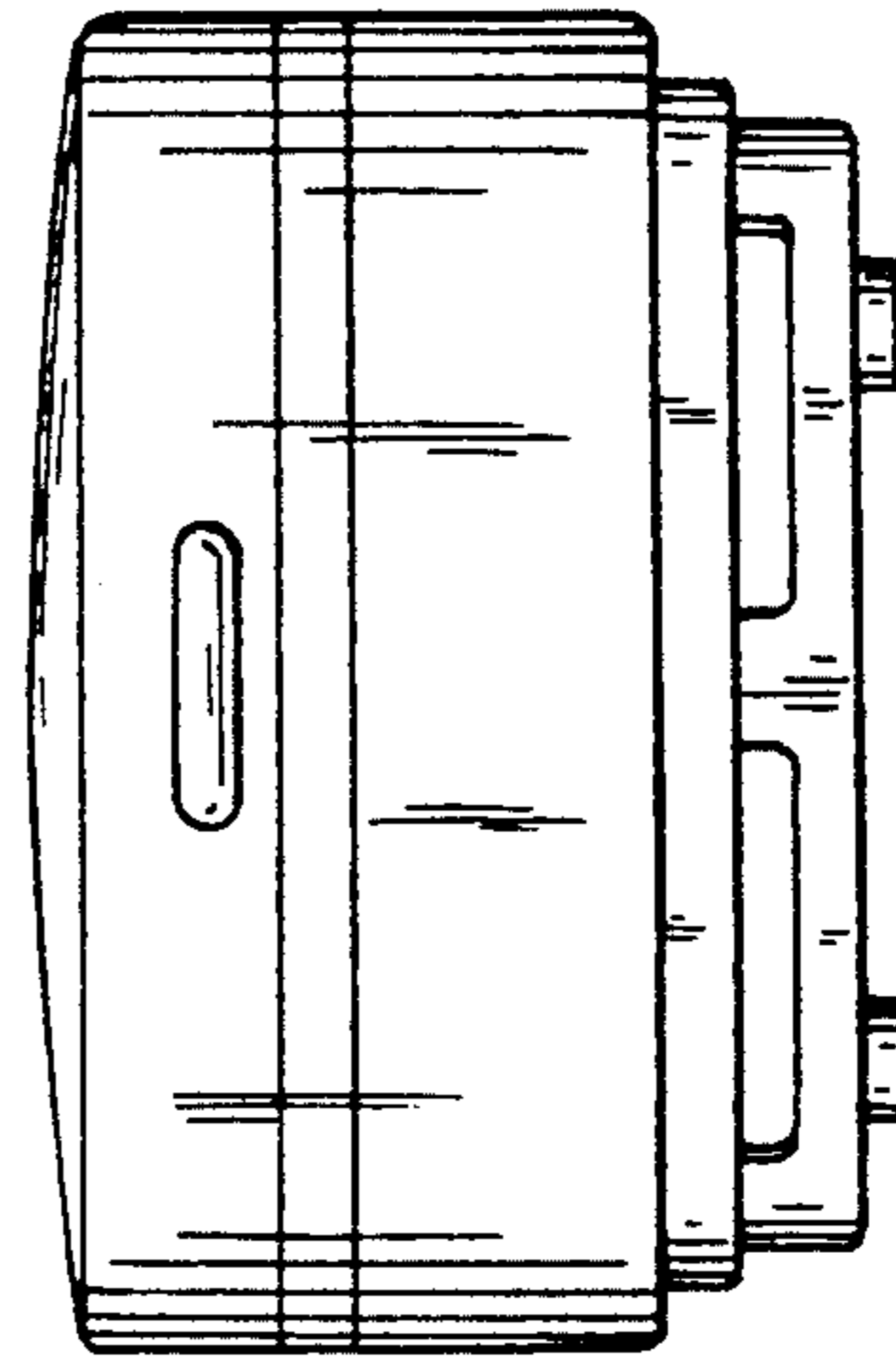


FIG. 1

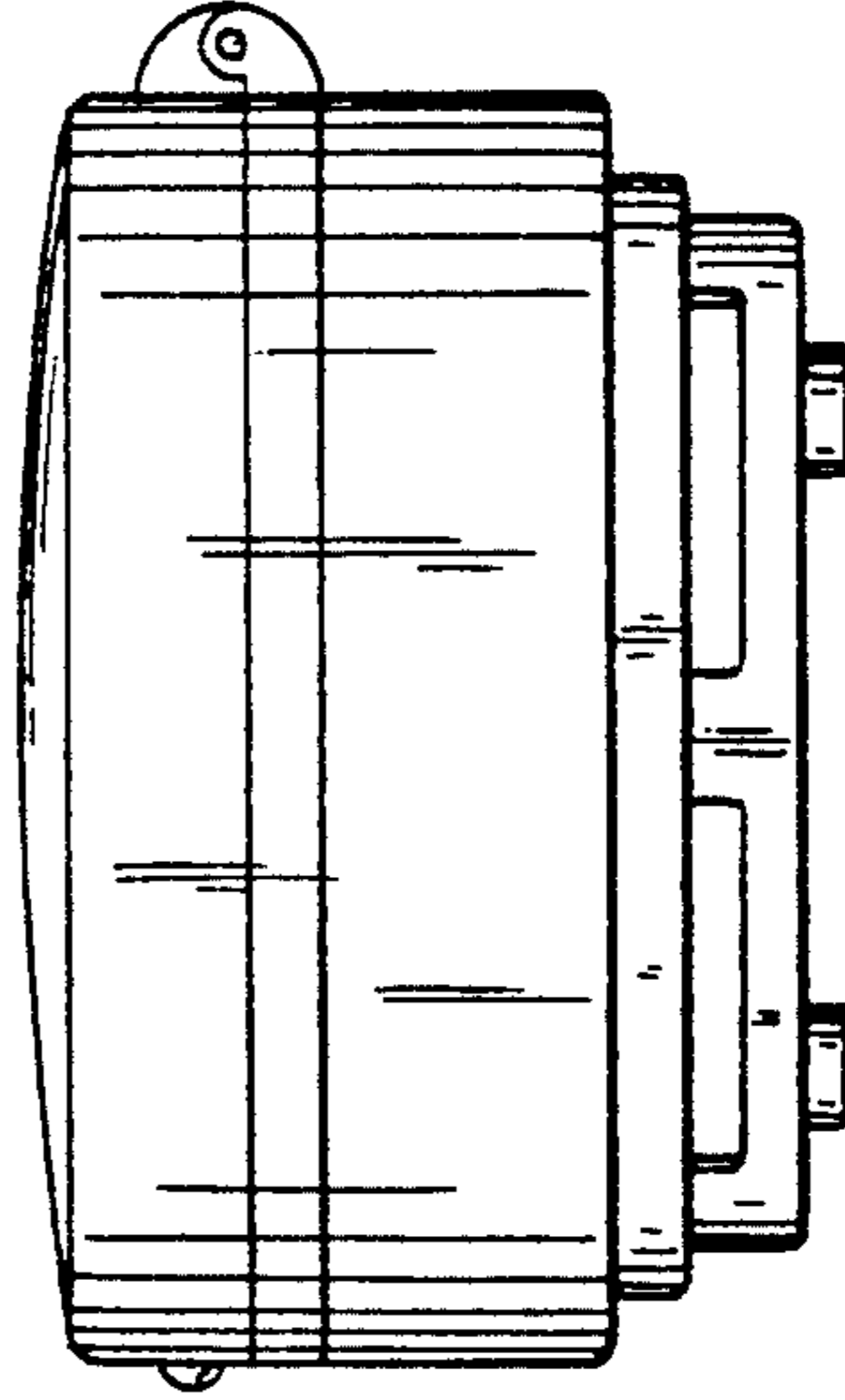


FIG. 3

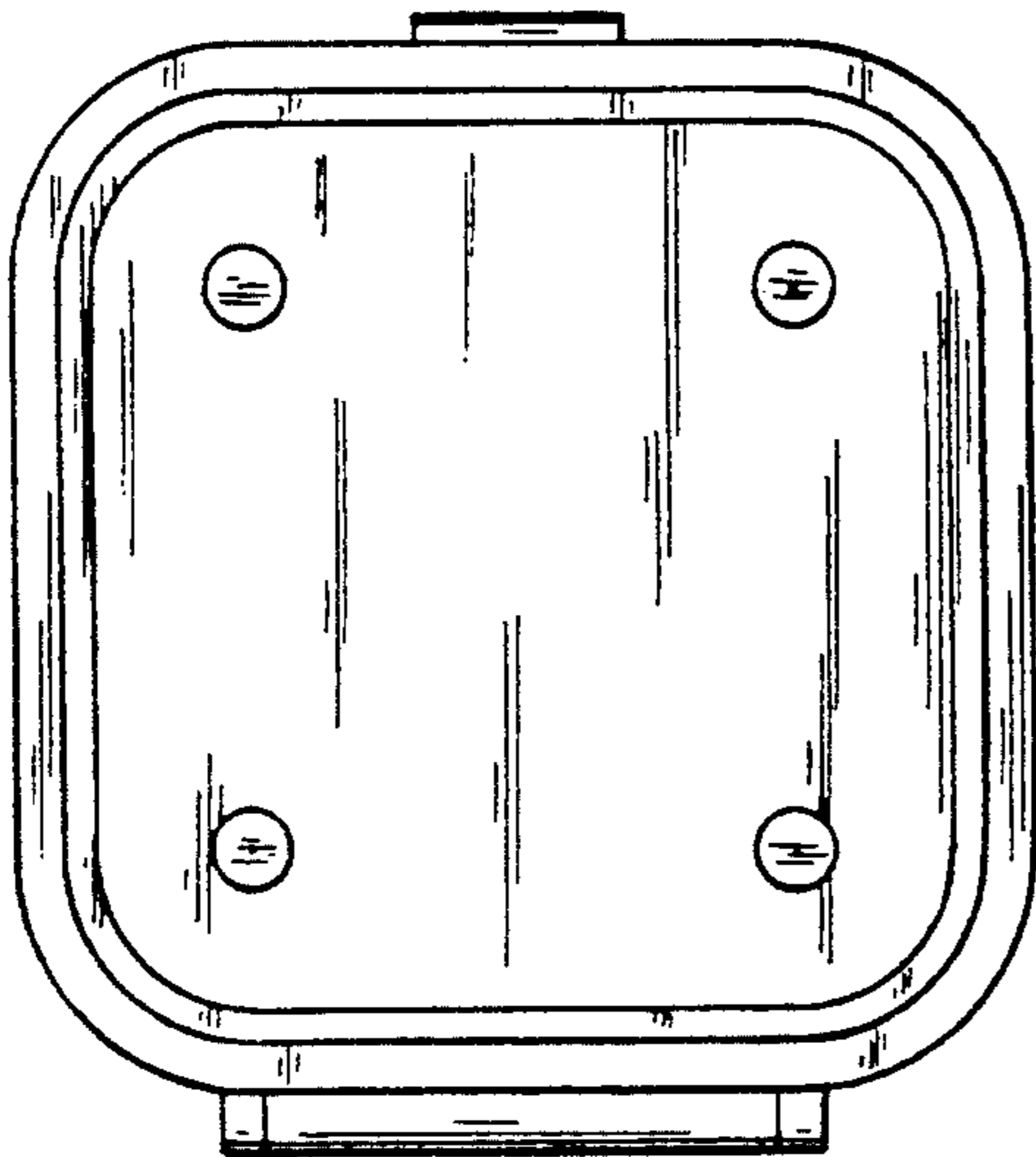


FIG. 5

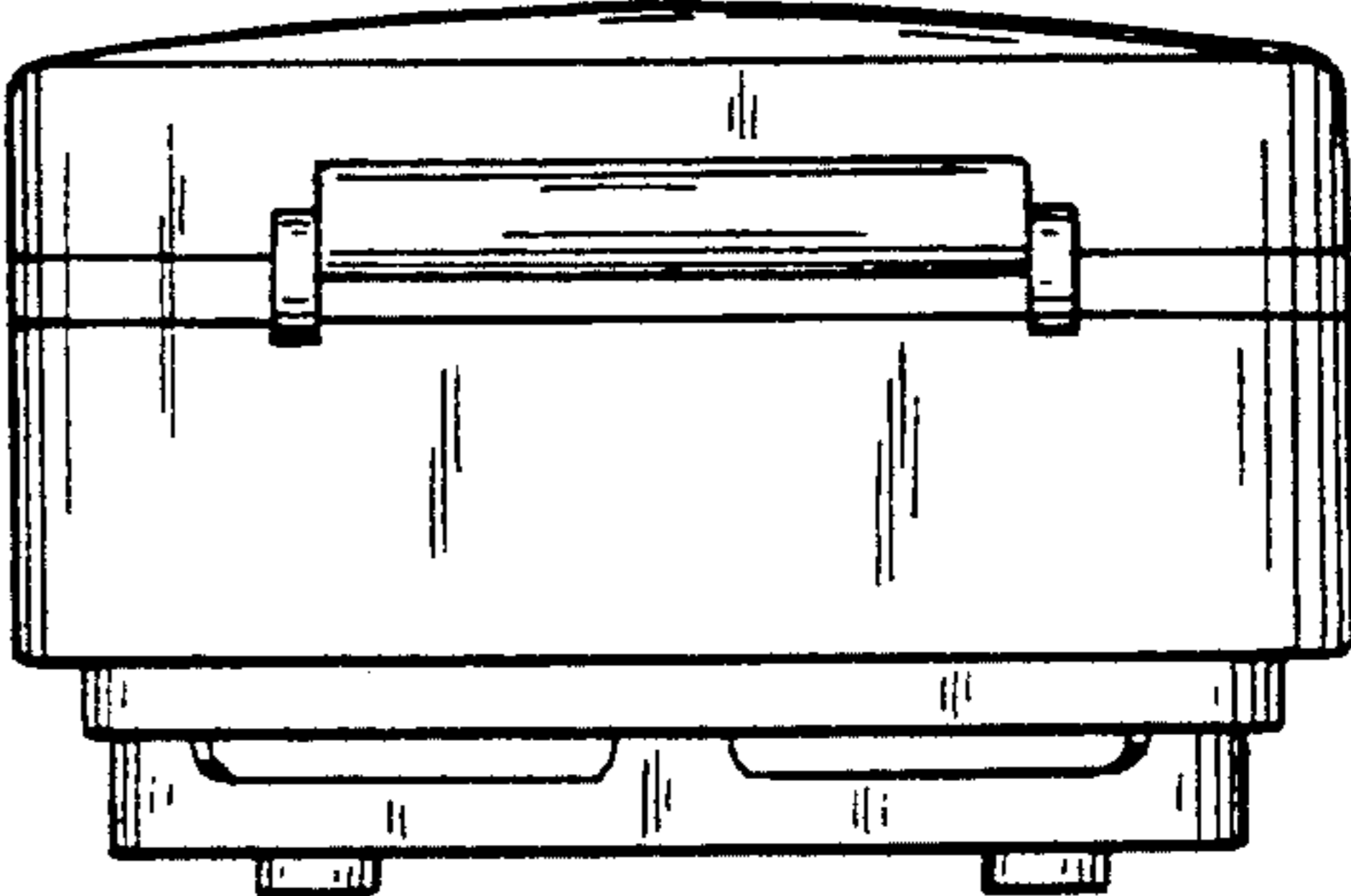


FIG. 6

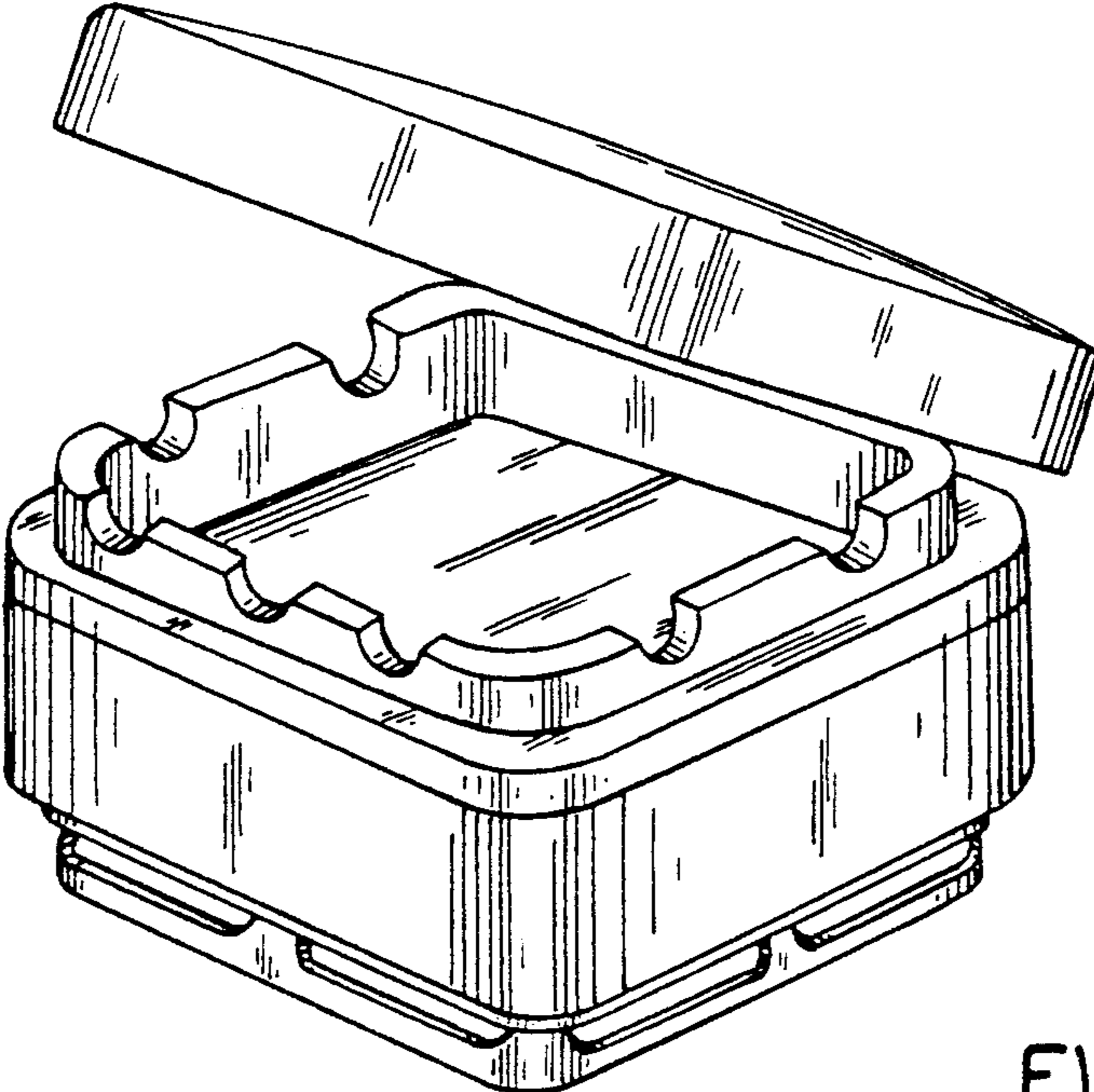


FIG. 7