



US00D345433S

United States Patent [19]

Gruber et al.

[11] Patent Number: Des. 345,433

[45] Date of Patent: ** Mar. 22, 1994

[54] SUSPENDED LUMINAIRE

[75] Inventors: **Harold T. Gruber**, Summit Station;
Bonnie J. Brohard, Newark; **William W. Belisle**, Newark; **Herbert A. Fouke**, Newark, all of Ohio

[73] Assignee: **Holophane Lighting, Inc.**, Newark, Ohio

[**] Term: **14 Years**

[21] Appl. No.: **842,948**

[22] Filed: **Feb. 27, 1992**

[52] U.S. Cl. **D26/88**

[58] Field of Search **362/147, 404-408; D26/72, 80-92**

[56] References Cited

U.S. PATENT DOCUMENTS

D. 105,452 7/1937 Poling D26/88
2,333,918 11/1943 Claspy 362/408

FOREIGN PATENT DOCUMENTS

463883 4/1937 United Kingdom 362/363

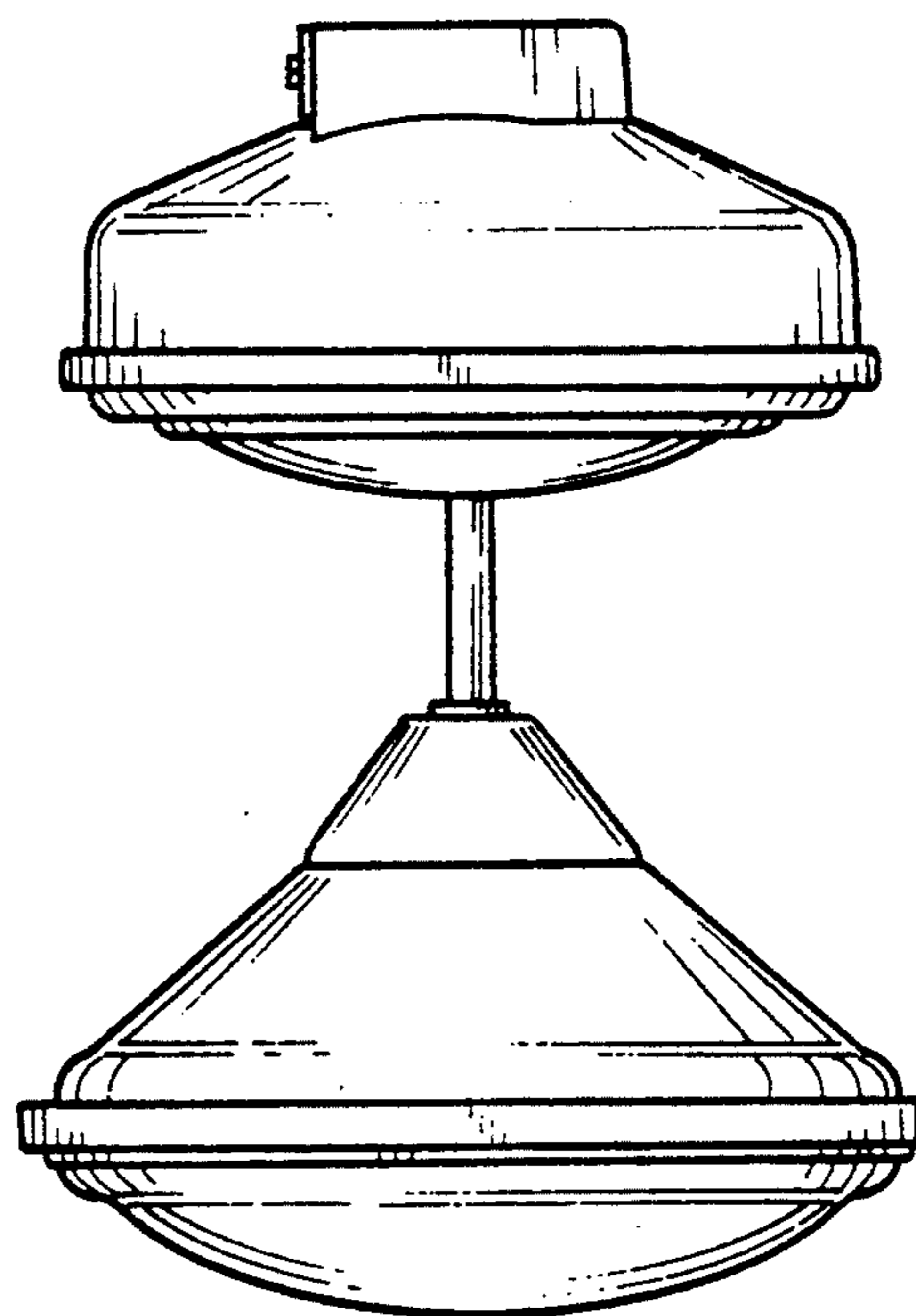
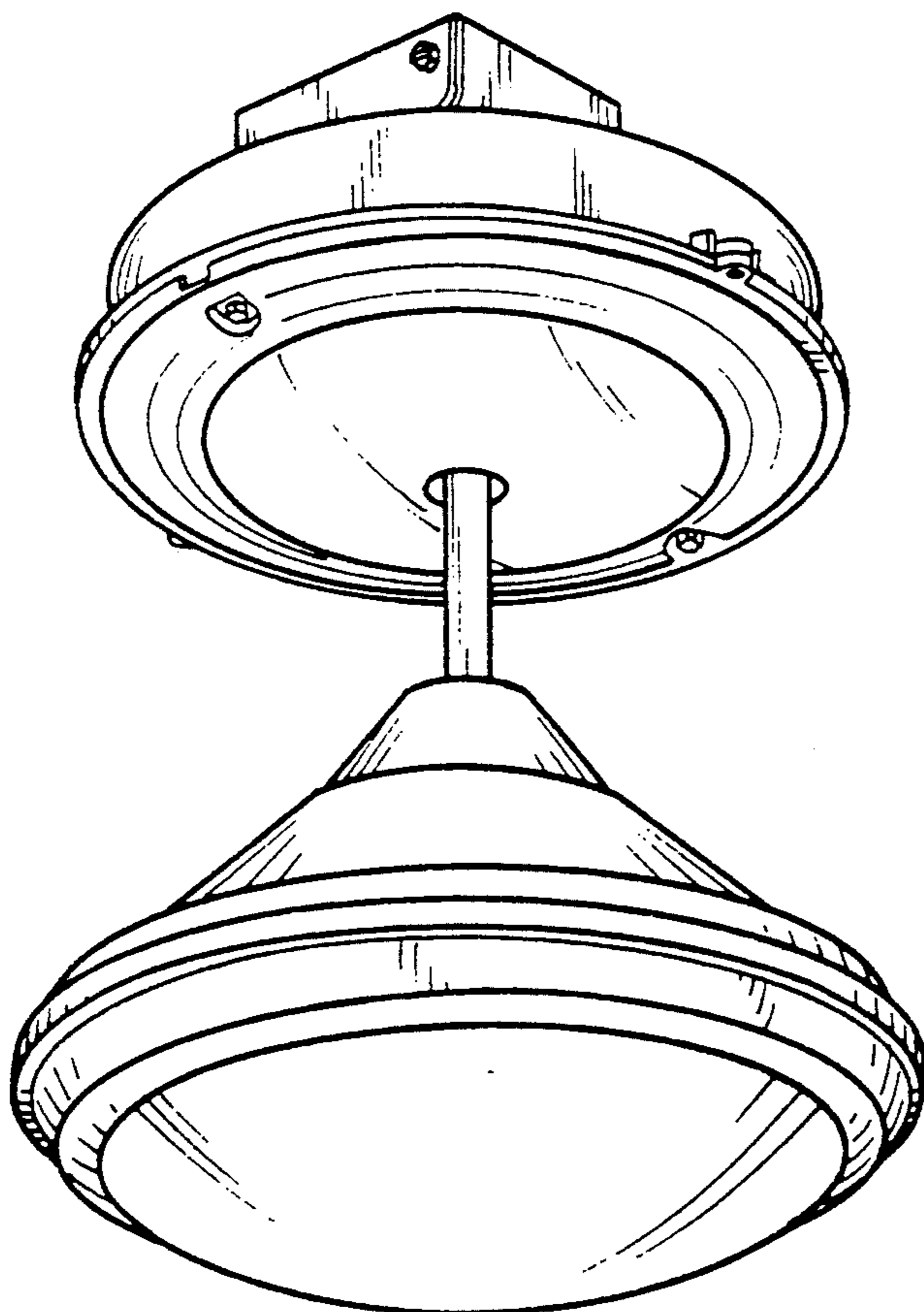
Primary Examiner—Susan J. Lucas
Attorney, Agent, or Firm—Brooks & Kushman

[57] CLAIM

The ornamental design for a suspended luminaire, as shown.

DESCRIPTION

FIG. 1 is a perspective view of our new design;
FIG. 2 is a right side elevational view;
FIG. 3 is a front elevational view thereof;
FIG. 4 is a top plan view;
FIG. 5 is a bottom plan view; and,
FIG. 6 is a rear elevational view.



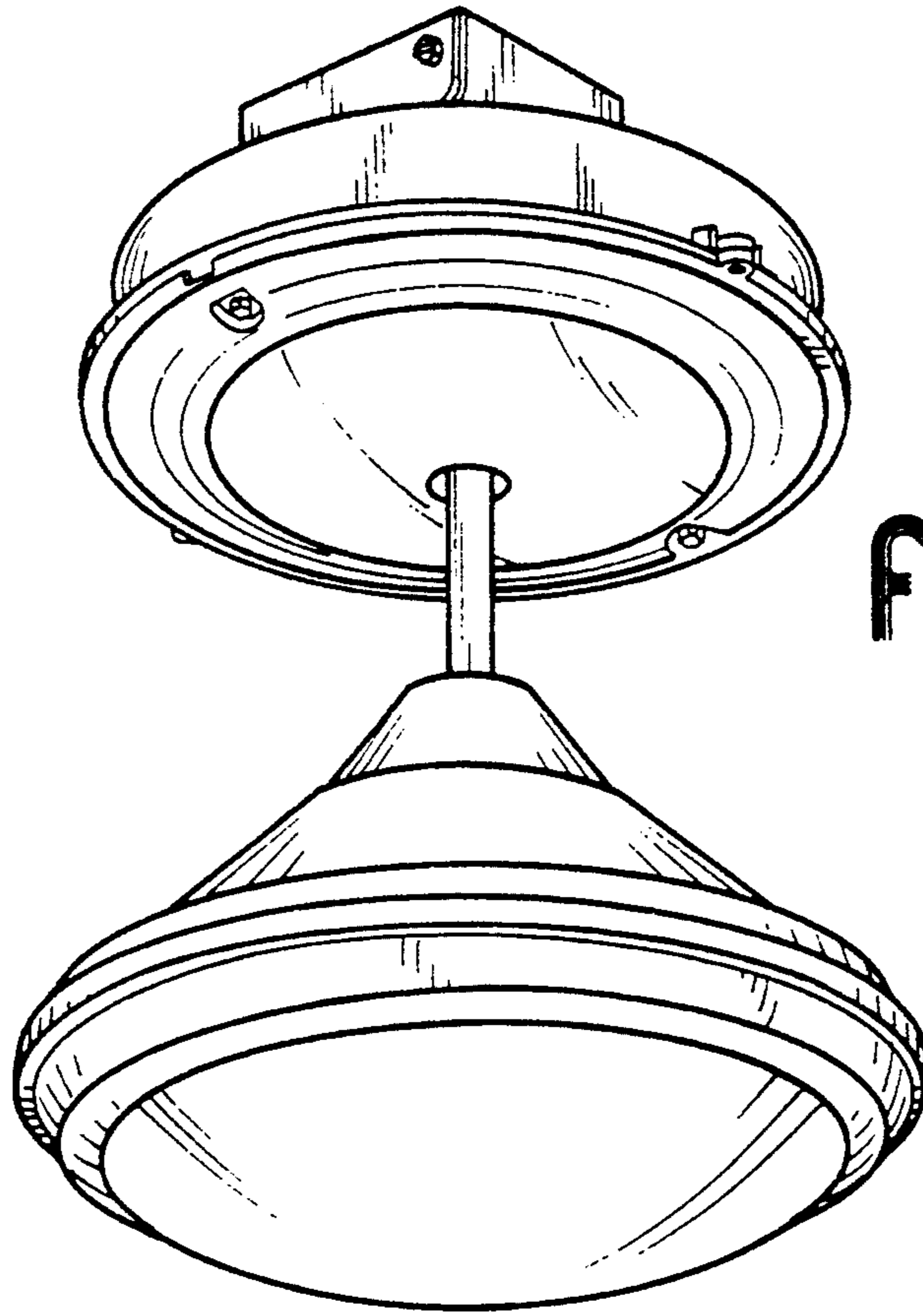


Fig-1

Fig-2

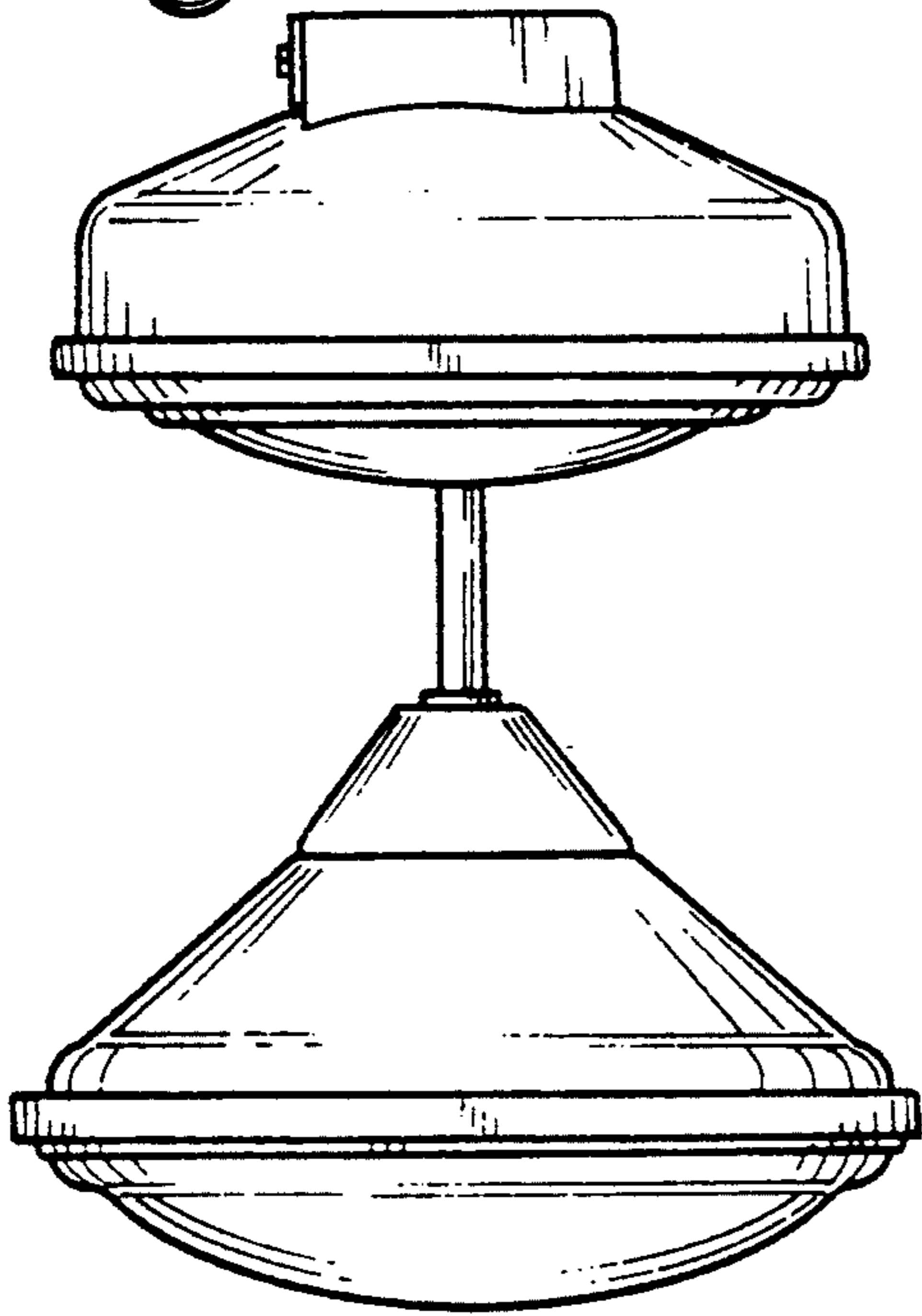
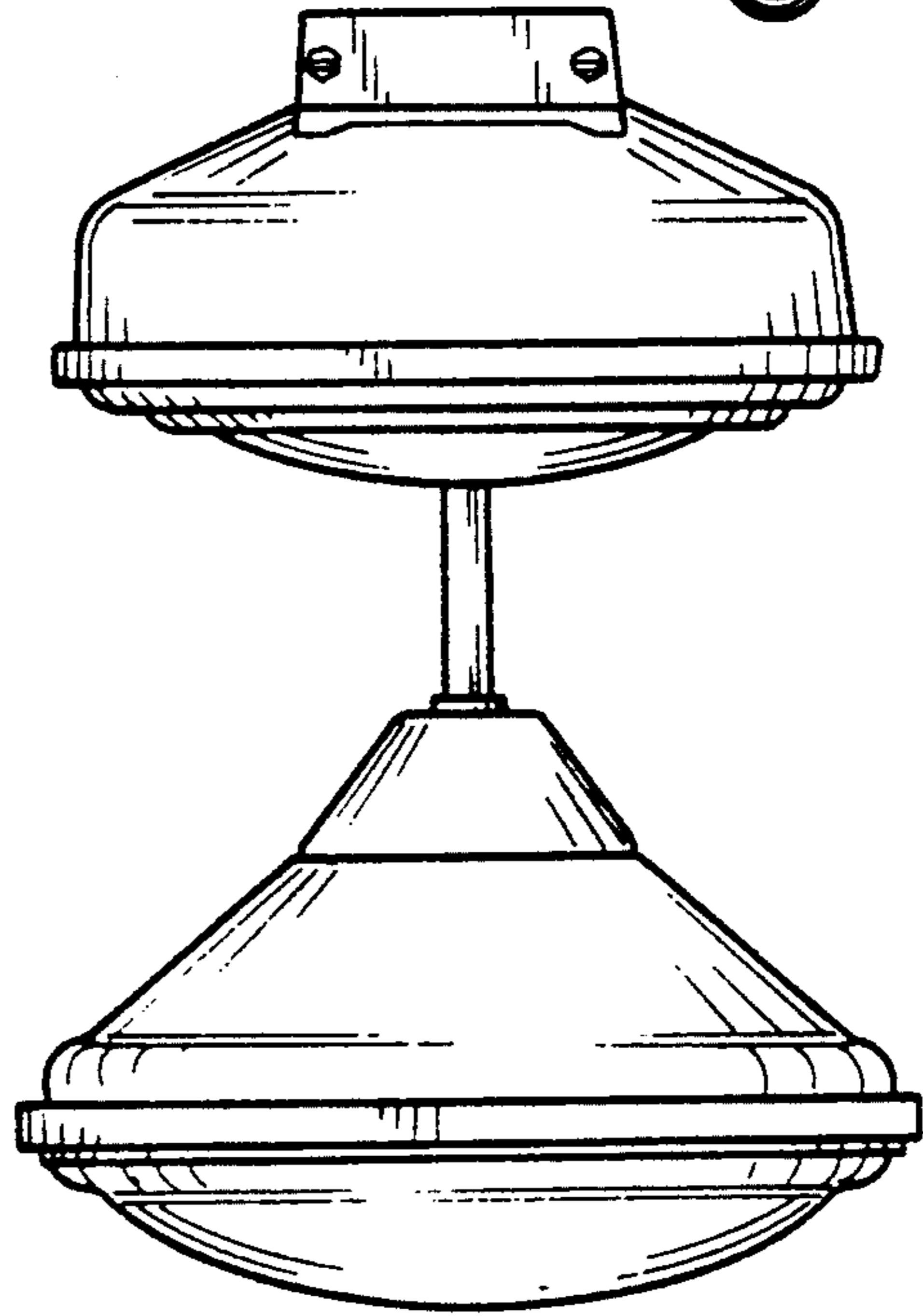


Fig-3



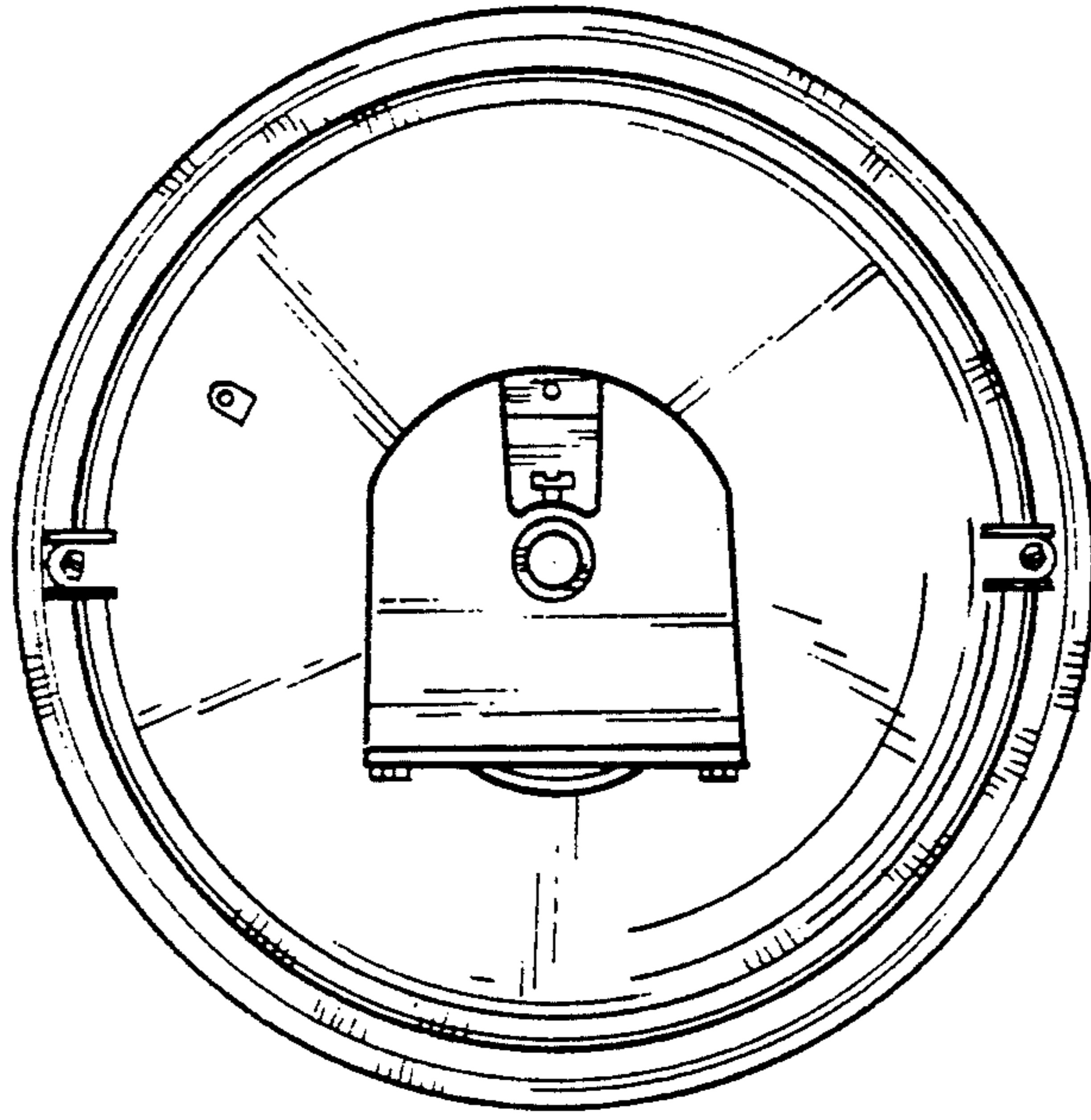


Fig-4

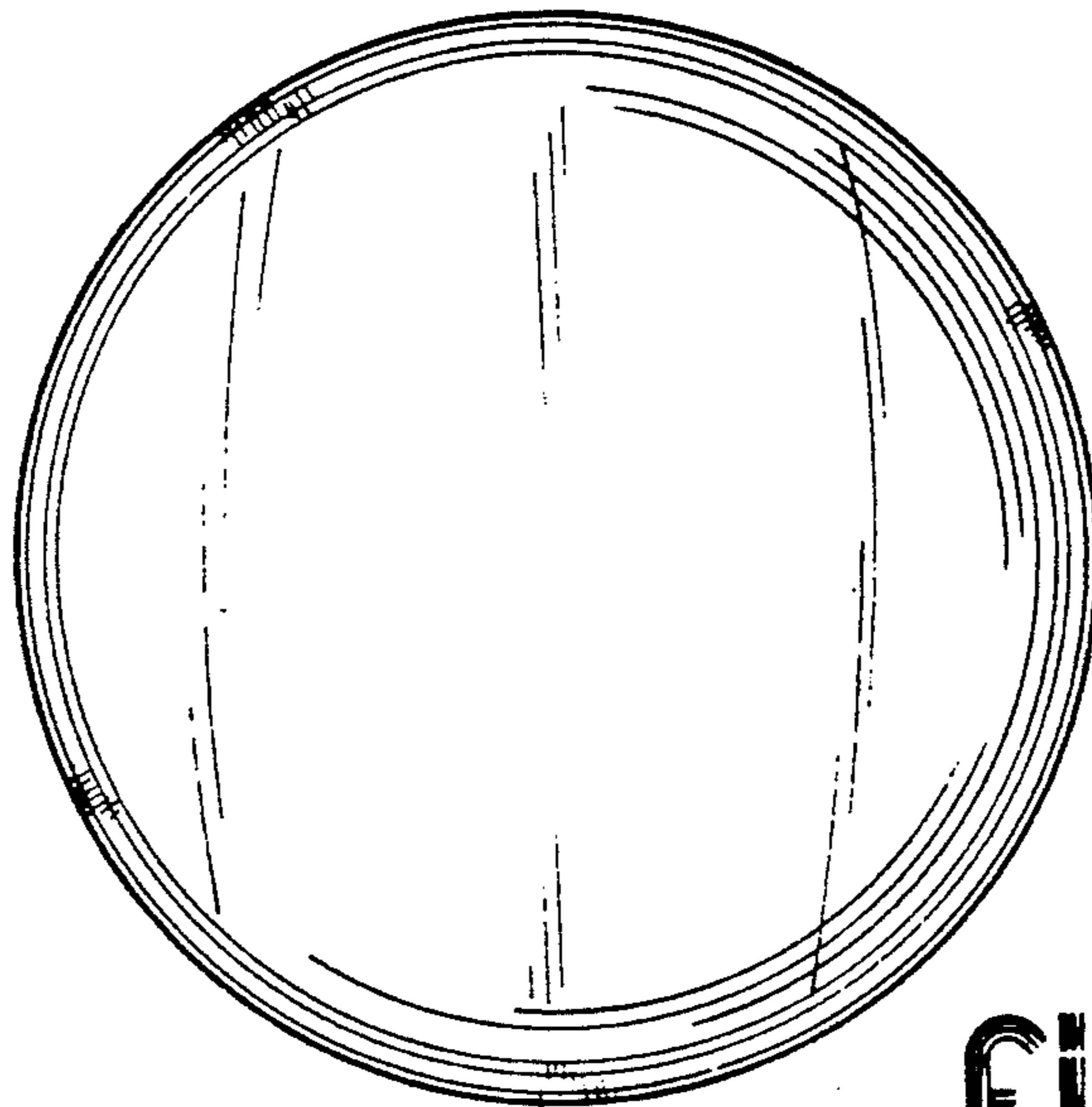


Fig-5

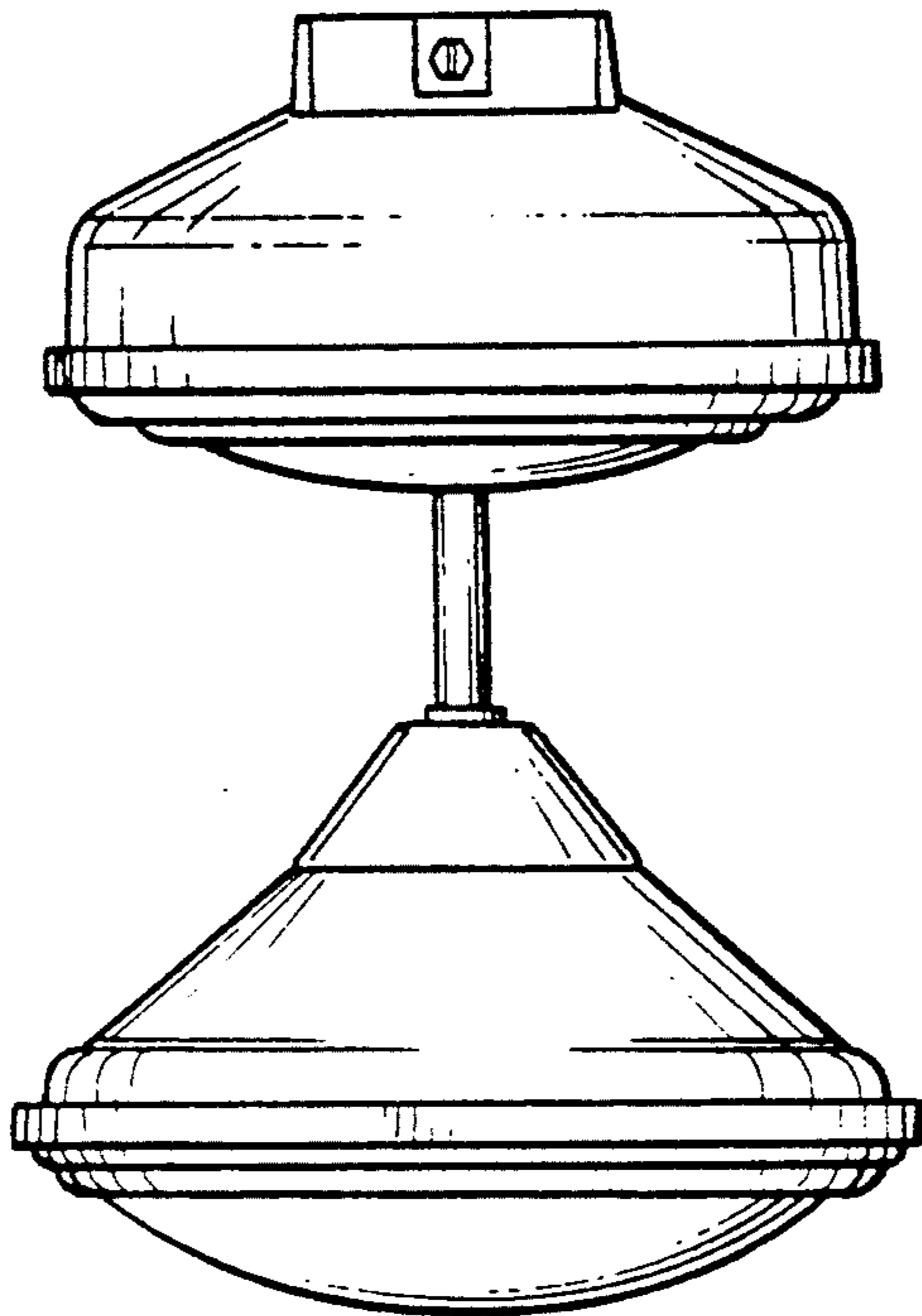


Fig-6