



US00D345429S

United States Patent [19]

Bancroft

[11] Patent Number: Des. 345,429

[45] Date of Patent: ** Mar. 22, 1994

[54] SILL EXTERIOR TRIM

[76] Inventor: Joseph C. Bancroft, 134 Harmony La., McComb, Miss. 39648

[**] Term: 14 Years

[21] Appl. No.: 940,831

[22] Filed: Sep. 8, 1992

[52] U.S. Cl. D25/119

[58] Field of Search 49/504, DIG. 2; D25/52, D25/119

[56] References Cited

U.S. PATENT DOCUMENTS

D. 252,044	6/1979	O'Shaughnessy	D25/119
D. 286,035	10/1986	Fisher	D25/119
D. 288,615	3/1987	Hardy	D25/119
2,687,194	8/1954	Kelly	49/504
5,022,204	6/1991	Anderson	49/504

Primary Examiner—A. Hugo Word

Assistant Examiner—Doris Clark

Attorney, Agent, or Firm—Macdonald J. Wiggins

[57] CLAIM

The ornamental design for a sill exterior trim, as shown and described.

DESCRIPTION

FIG. 1 is a fragmentary top perspective view of the sill exterior trim showing my design;

FIG. 2 is a top plan view thereof broken away to indicate indeterminate length;

FIG. 3 is a bottom plan view thereof broken away to indicate indeterminate length;

FIG. 4 is a front elevational view thereof in which the rear elevational view is a mirror image of the front view;

FIG. 5 is a right elevational view thereof broken away to indicate indeterminate length; and,

FIG. 6 is a left elevational view thereof broken away to indicate indeterminate length.

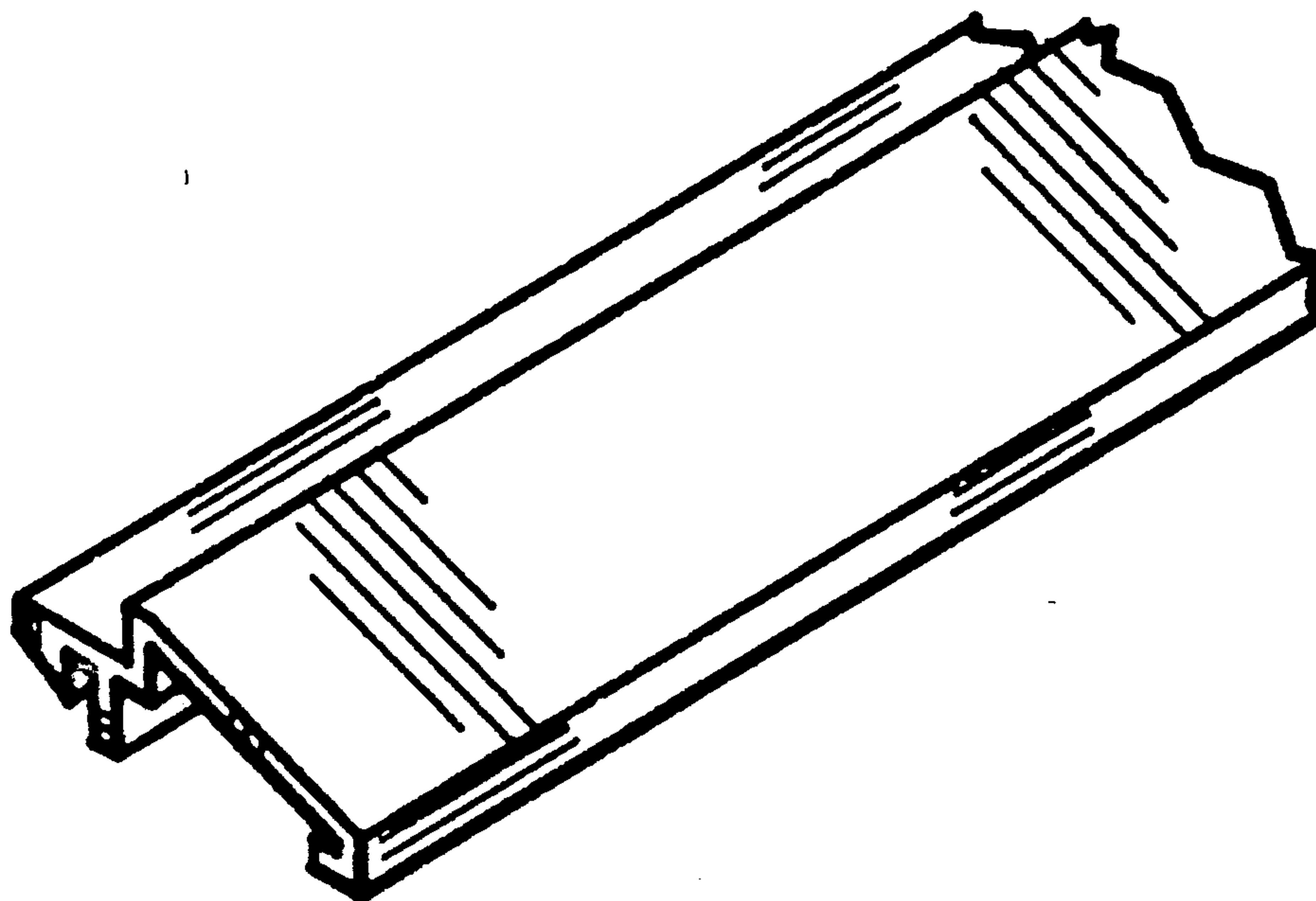


FIG. 2

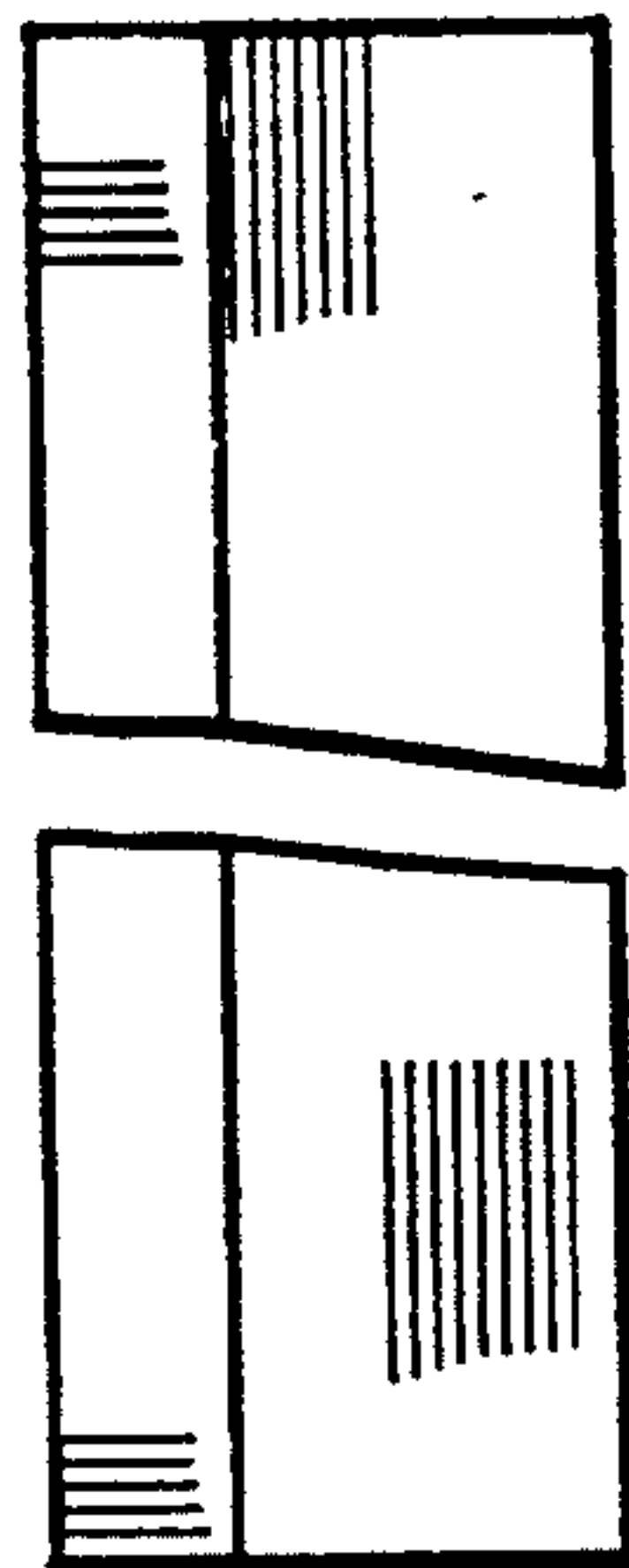


FIG. 1

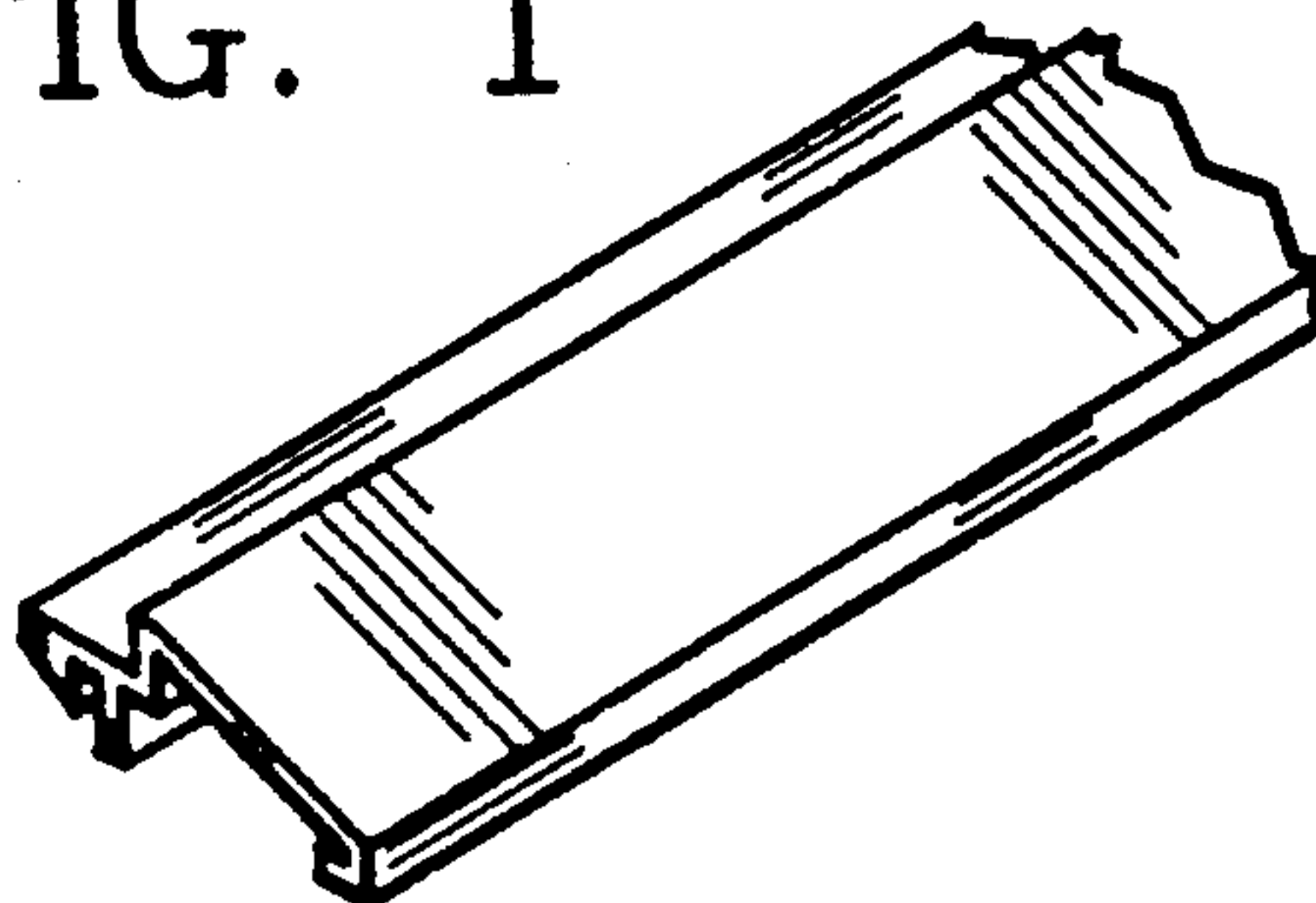


FIG. 3

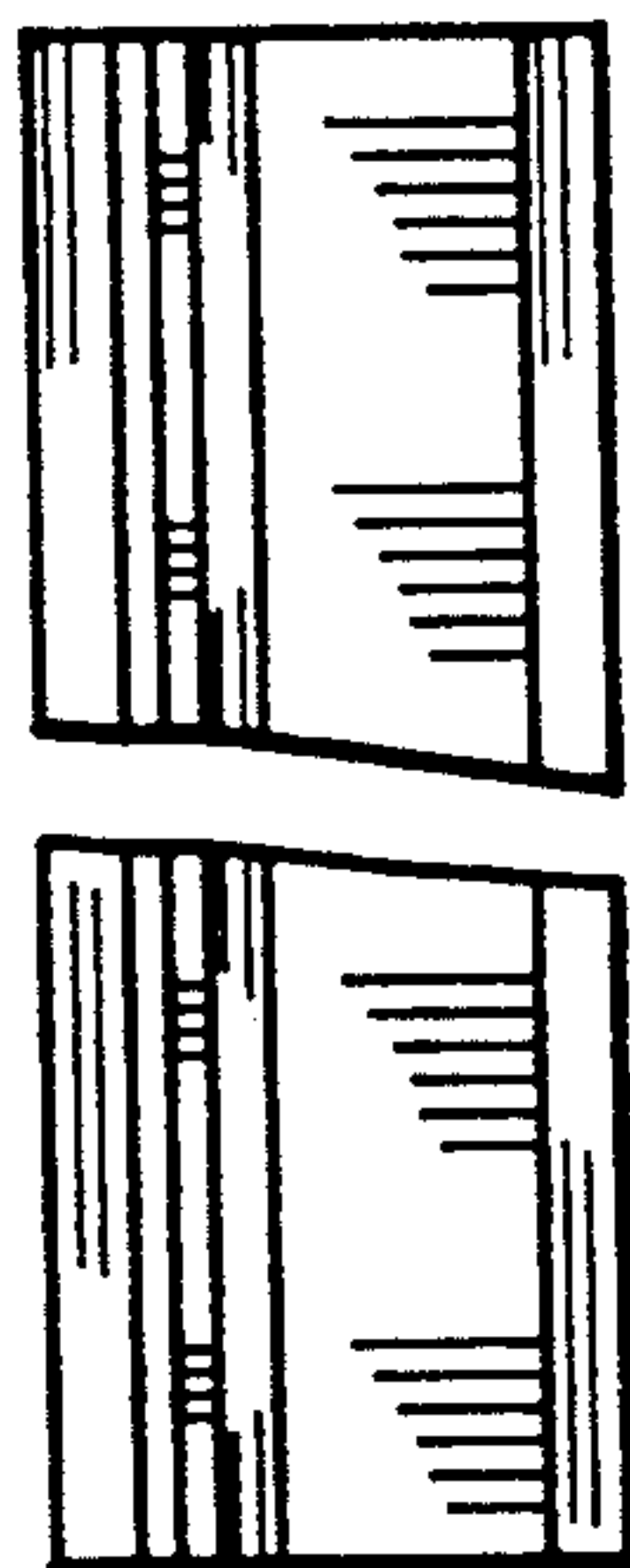


FIG. 5



FIG. 4



FIG. 6

