



US00D345428S

**United States Patent** [19]  
**Bancroft**

[11] **Patent Number: Des. 345,428**

[45] **Date of Patent: \*\* Mar. 22, 1994**

[54] **GLAZING BEAD**

[76] **Inventor: Joseph C. Bancroft, 134 Harmony La., McComb, Miss. 39648**

[\*\*] **Term: 14 Years**

[21] **Appl. No.: 940,829**

[22] **Filed: Sep. 8, 1992**

[52] **U.S. Cl. .... D25/119**

[58] **Field of Search ..... 49/504, DIG. 2; D25/52, D25/119**

[56] **References Cited**

**U.S. PATENT DOCUMENTS**

- D. 306,490 3/1990 Reisinger et al. .... 125/119
- 2,119,685 6/1938 Deremi et al. .... D25/119
- 4,259,813 4/1981 Dinner et al. .... 49/504

*Primary Examiner*—A. Hugo Word  
*Assistant Examiner*—Doris Clark

*Attorney, Agent, or Firm*—Macdonald J. Wiggins

[57] **CLAIM**

The ornamental design for a glazing bead, as shown and described.

**DESCRIPTION**

FIG. 1 is a fragmentary top perspective view of the glazing bead showing my design;  
 FIG. 2 is a top plan view thereof broken away to indicate indeterminate length;  
 FIG. 3 is bottom plan view thereof broken away to indicate indeterminate length;  
 FIG. 4 is a front elevational view thereof in which the rear elevational view is a mirror image of the front view;  
 FIG. 5 a right elevational view thereof broken away to indicate indeterminate length; and,  
 FIG. 6 is a left elevational view thereof broken away to indicate indeterminate length.

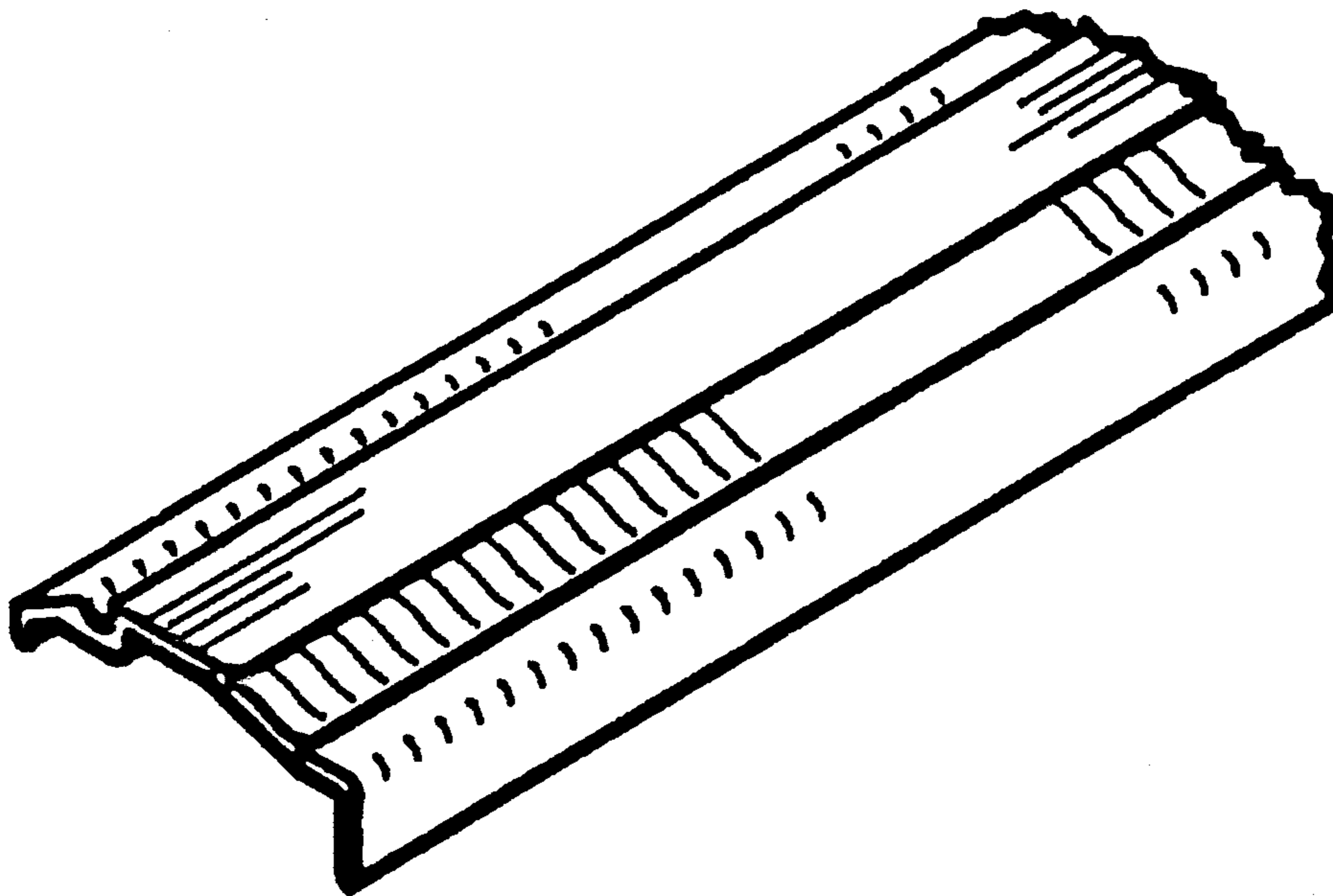


FIG. 2

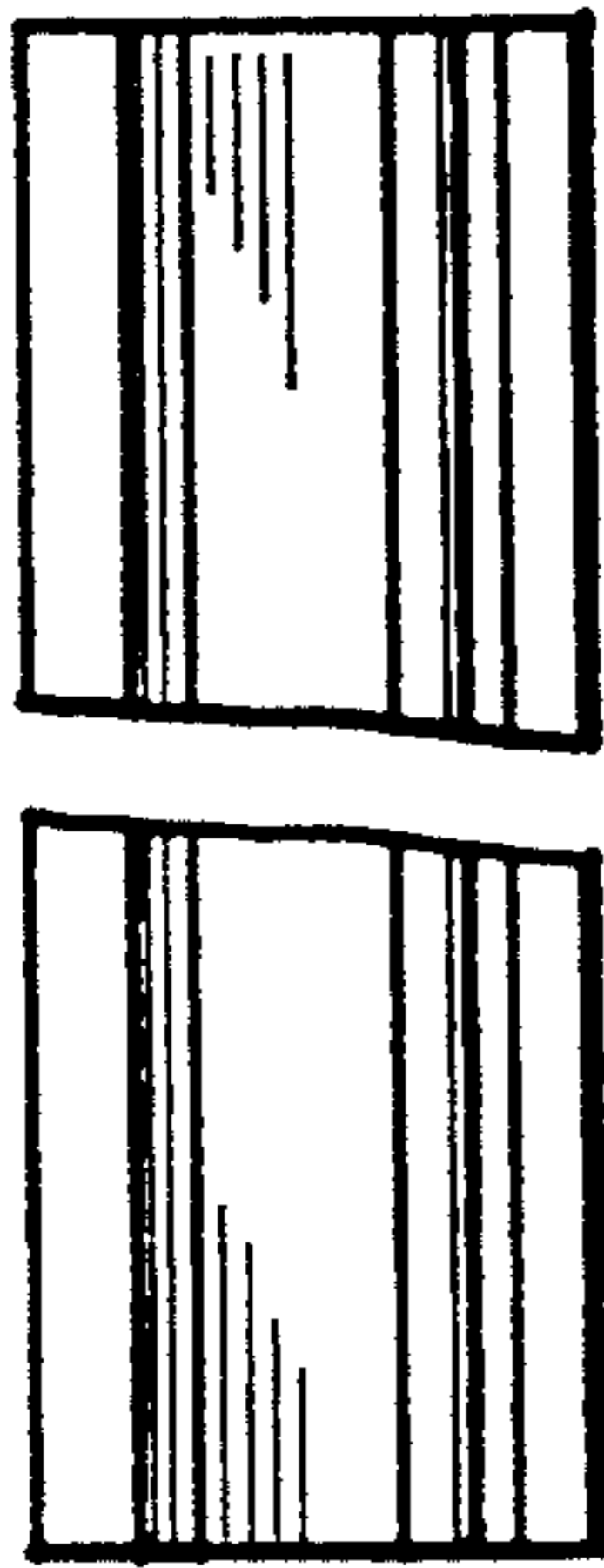


FIG. 1

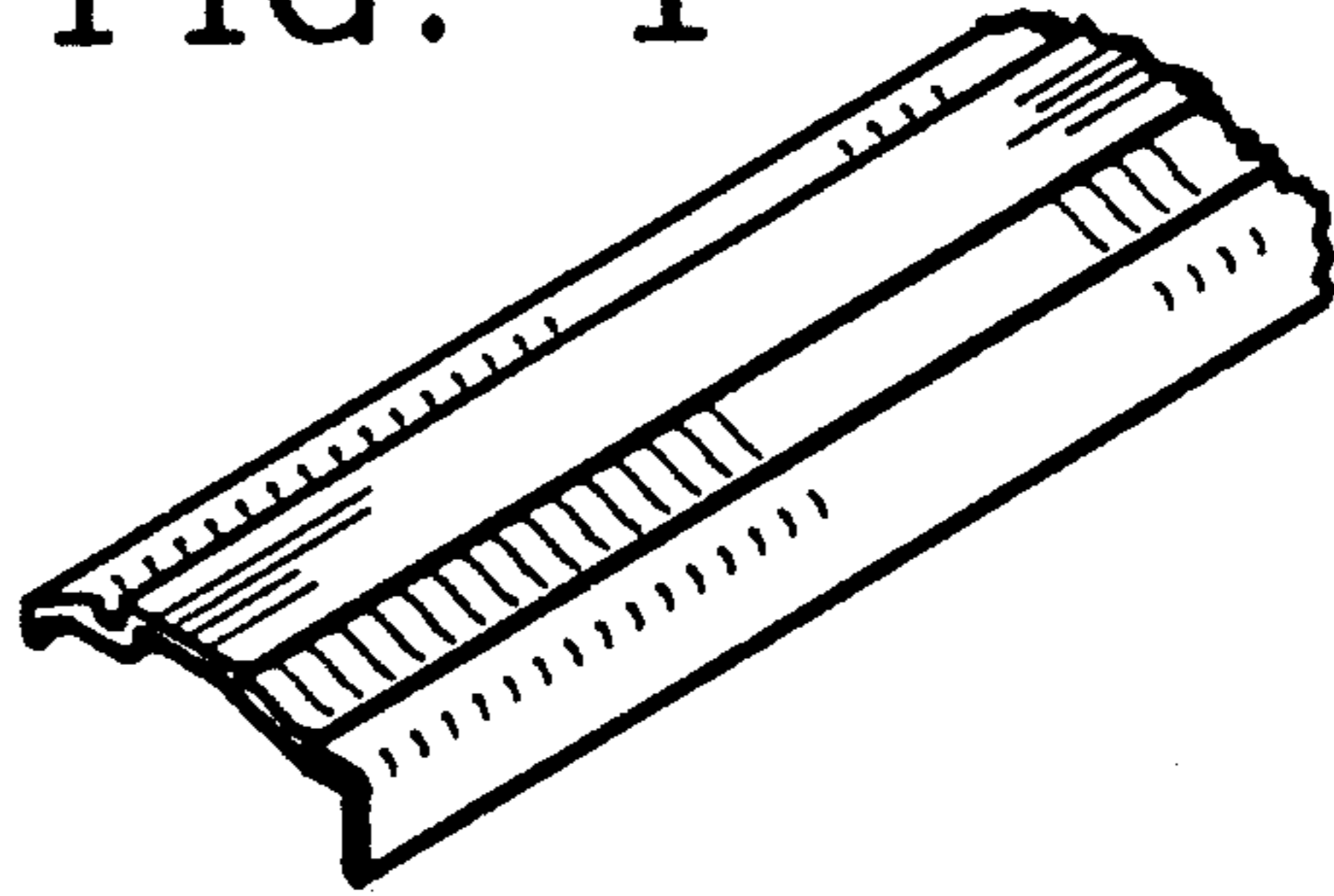


FIG. 3

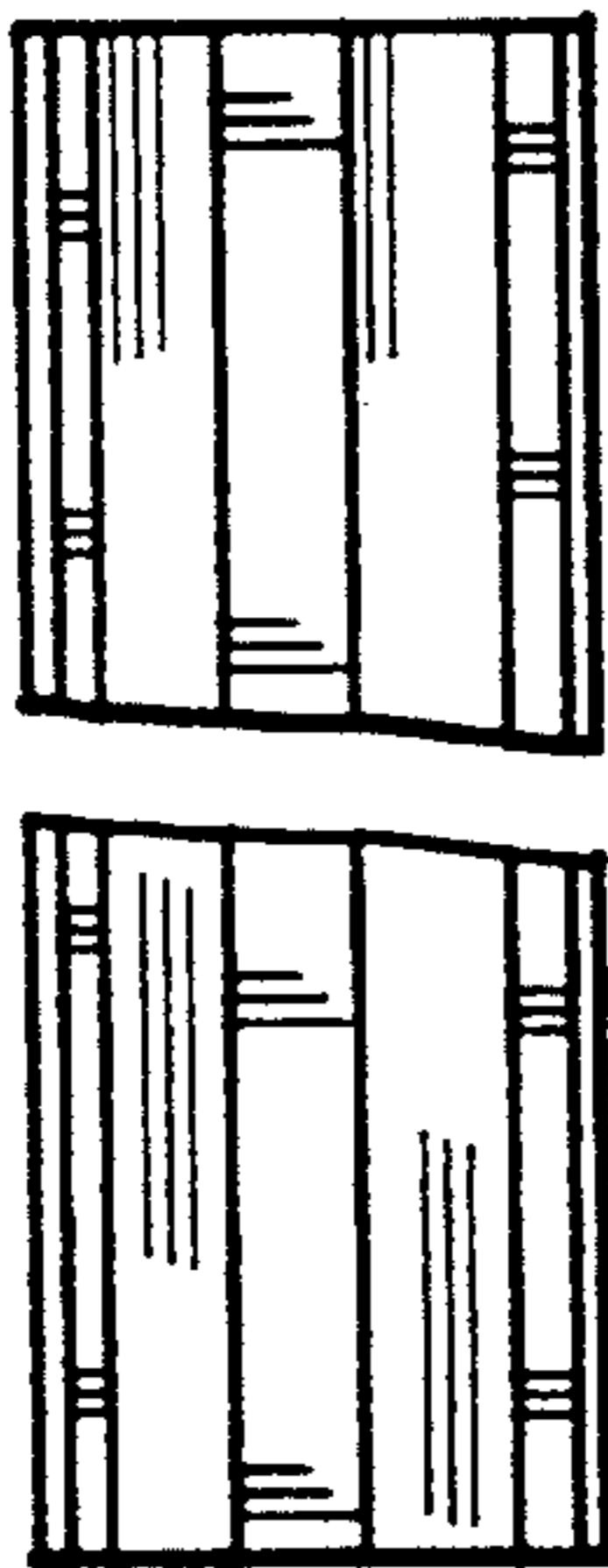


FIG. 5



FIG. 4



FIG. 6

