



US00D345420S

United States Patent [19]

[11] Patent Number: **Des. 345,420**

Stewart, Sr.

[45] Date of Patent: **** Mar. 22, 1994**

[54] **COMPACT POWER-ACTUATED MALE IMPOTENCY TREATMENT PUMP**

4,741,329	5/1988	Marcune .	
4,856,499	8/1989	Kelly	600/38
4,892,517	1/1990	Yuan et al. .	
5,020,522	6/1991	Stewart	D24/143

[76] Inventor: **Edward T. Stewart, Sr.**, 107 Plaza Ter., Dodge City, Kans. 67801

Primary Examiner—A. Hugo Word
Assistant Examiner—I. Simmons
Attorney, Agent, or Firm—Hovey, Williams, Timmons & Collins

[**] Term: **14 Years**

[21] Appl. No.: **890,463**

[22] Filed: **May 28, 1992**

[52] U.S. Cl. **D24/143; D15/7**

[58] Field of Search 128/79; 600/38, 39, 600/41; D24/143; D15/7

[57] **CLAIM**

The ornamental design for a compact power-actuated male impotency treatment pump, as shown and described.

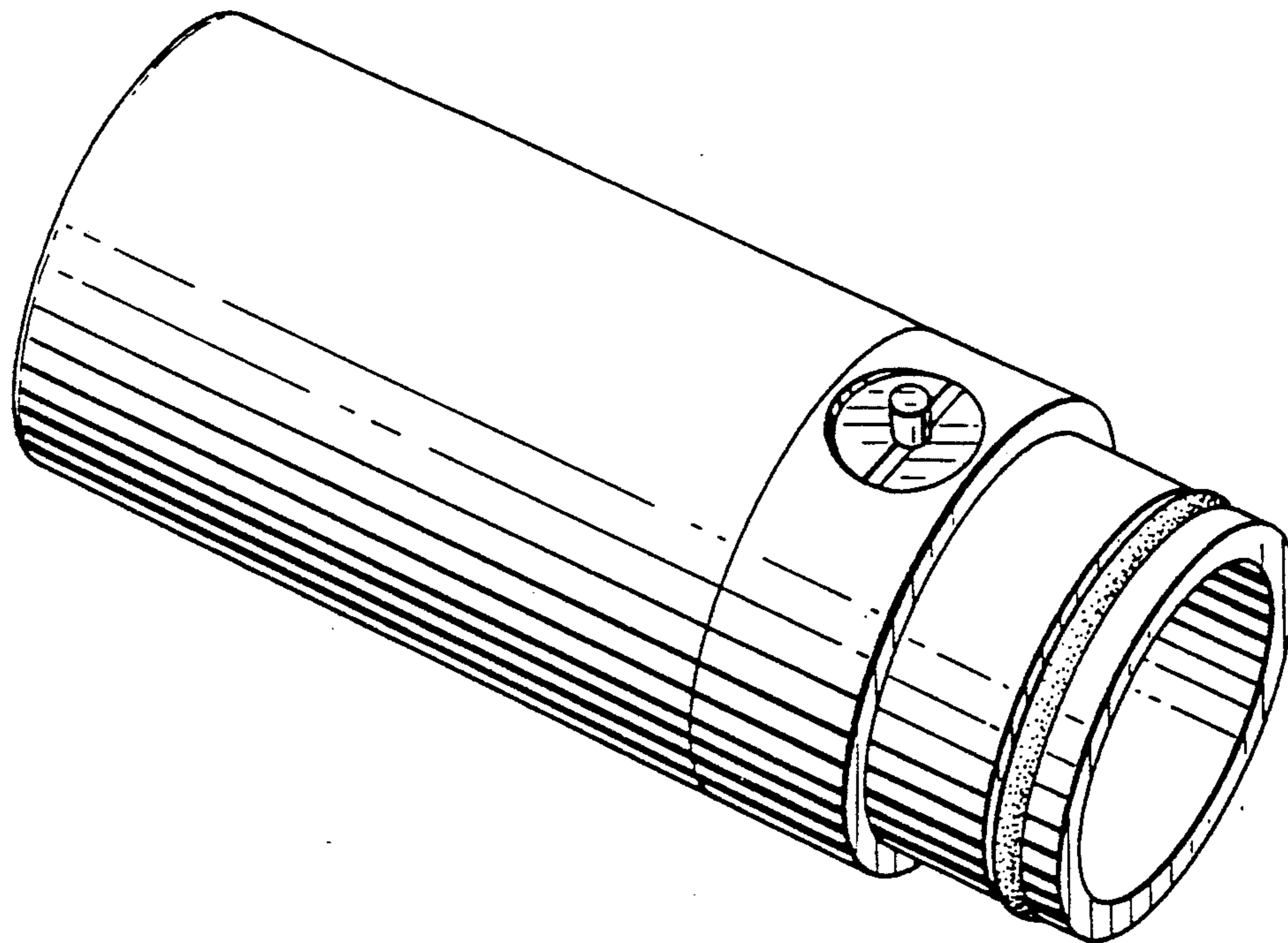
[56] **References Cited**

U.S. PATENT DOCUMENTS

D. 330,081	10/1992	Walsh	D24/143
1,225,341	5/1917	Lederer .	
2,874,698	2/1959	Sell .	
3,421,504	1/1969	Gibbons .	
3,631,853	1/1972	Burdette, Jr. .	
3,744,486	7/1973	Wilson .	

DESCRIPTION

FIG. 1 is a top front perspective view of a compact power-actuated male impotency treatment pump; FIG. 2 is a side elevational view thereof; FIG. 3 is a front end elevational view thereof; FIG. 4 is a rear end elevational view thereof; and, FIG. 5 is a bottom plan view thereof.



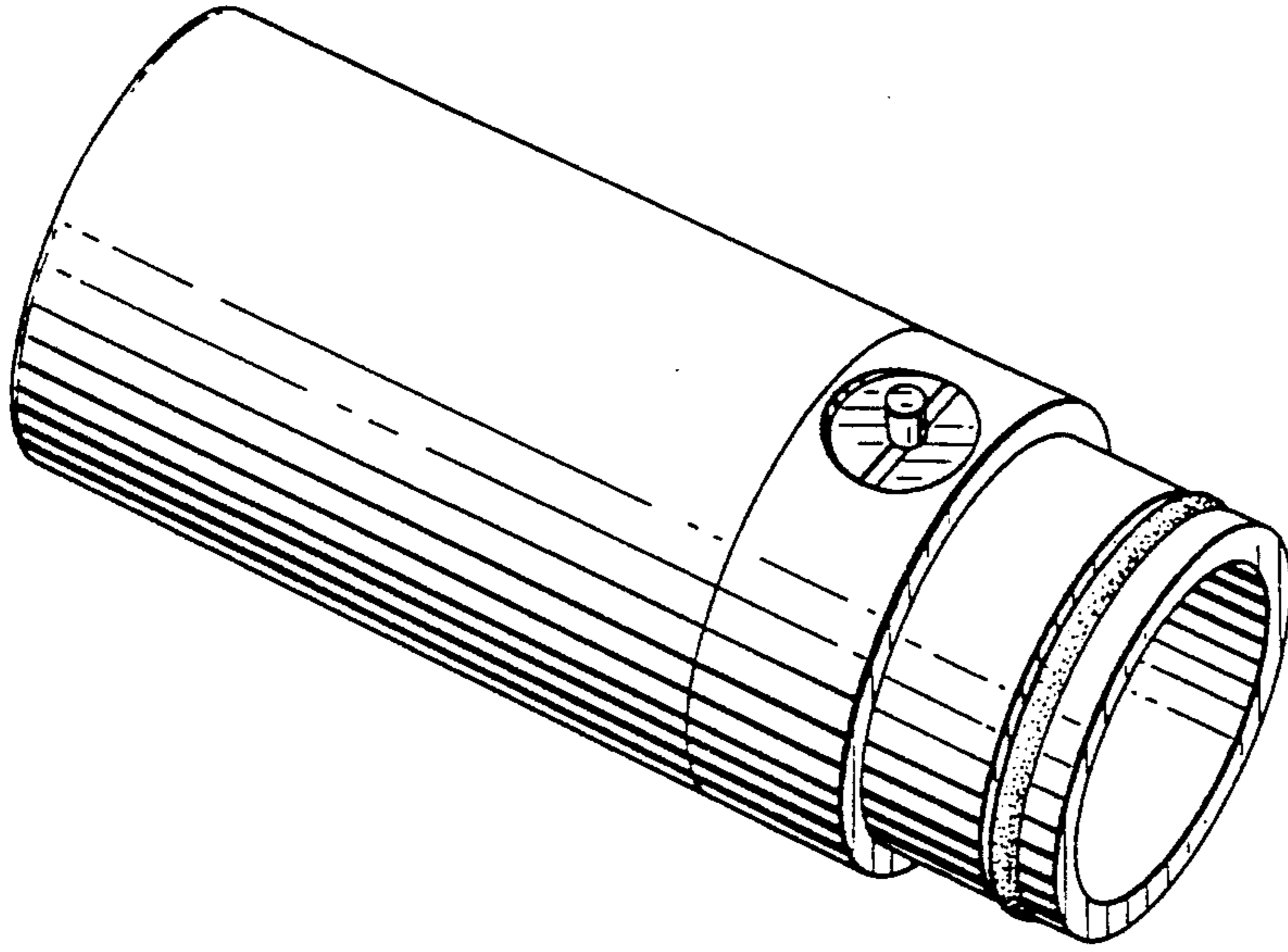


Fig. 1.

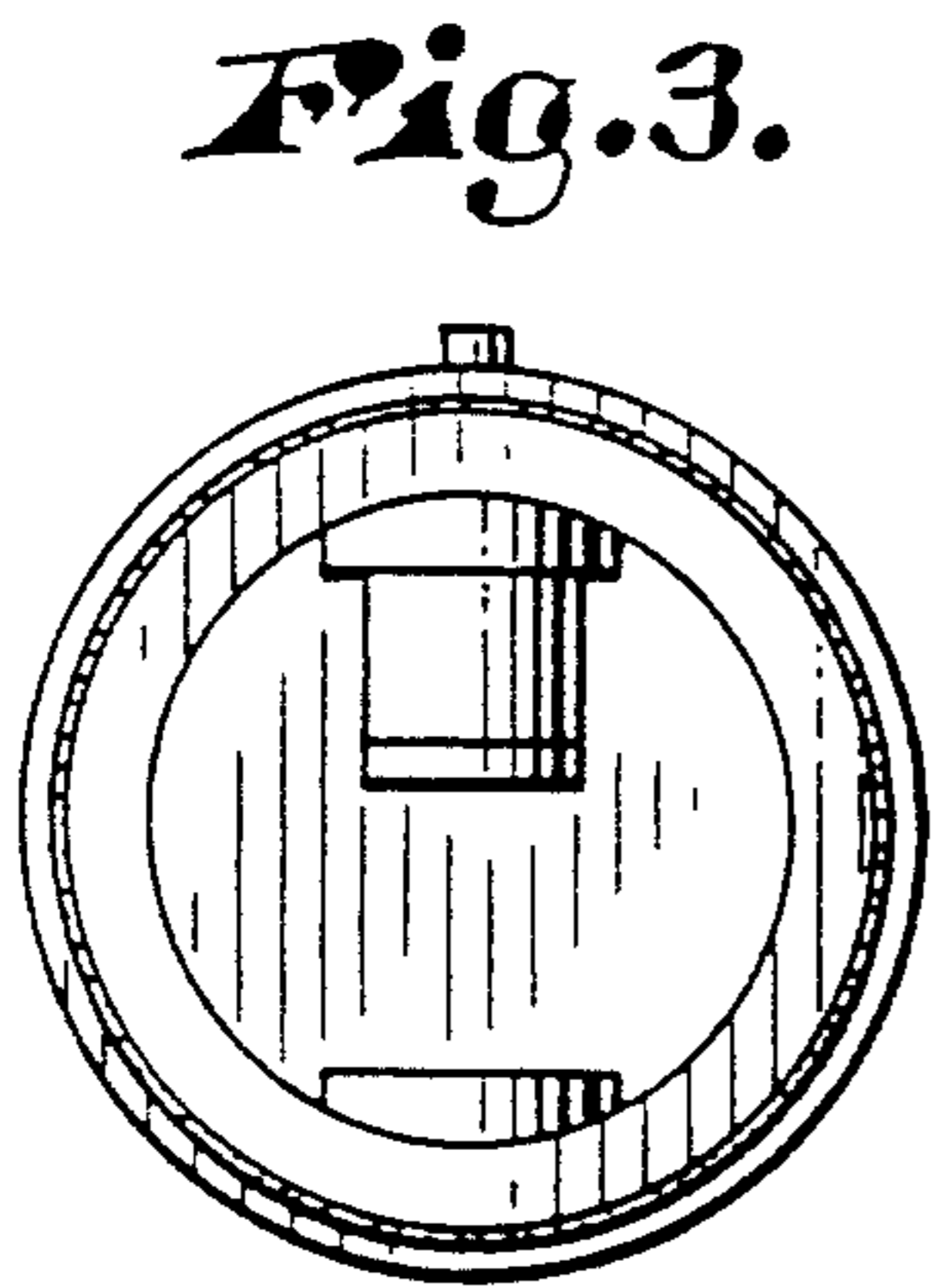


Fig. 3.

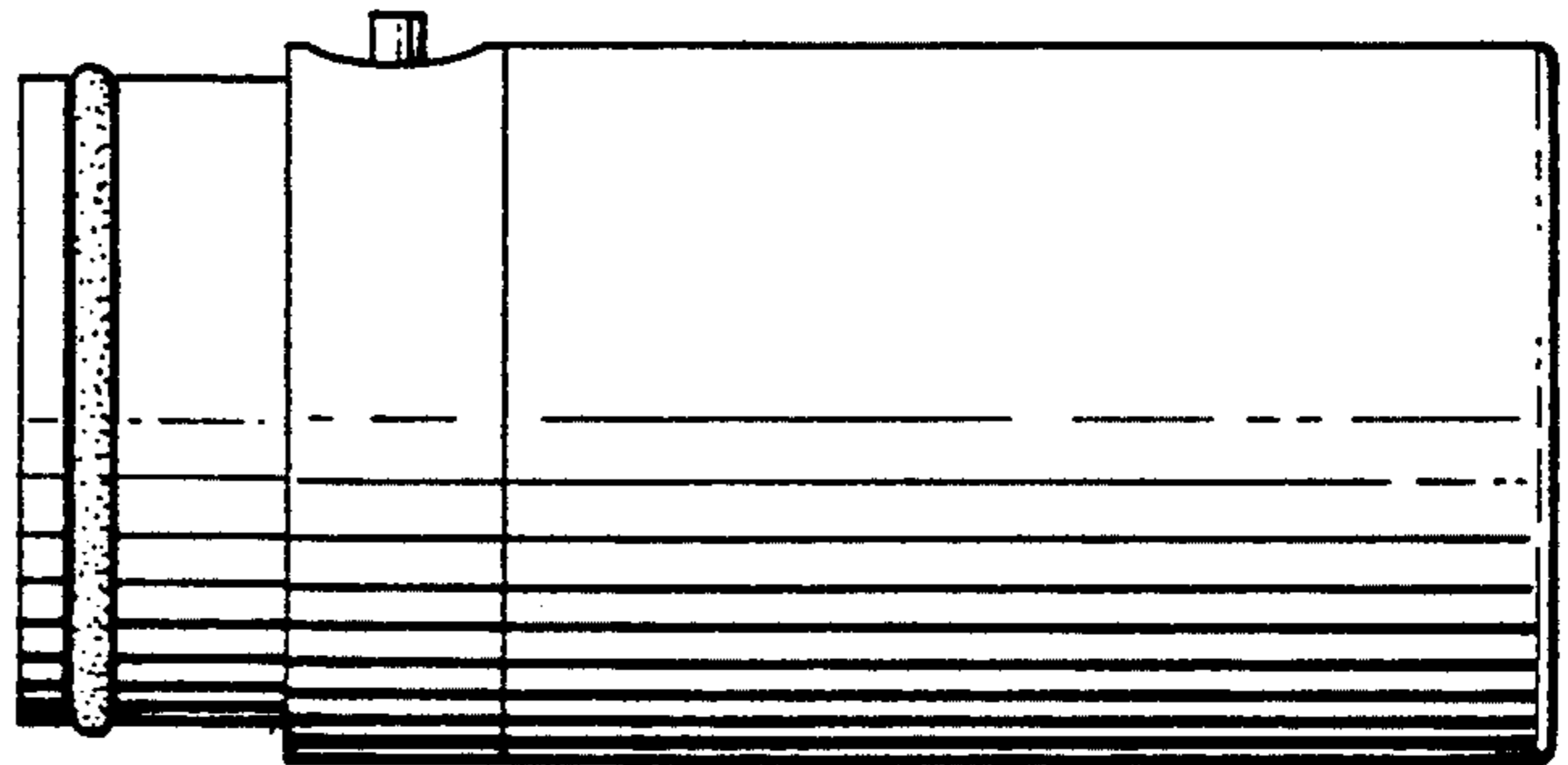


Fig. 2.

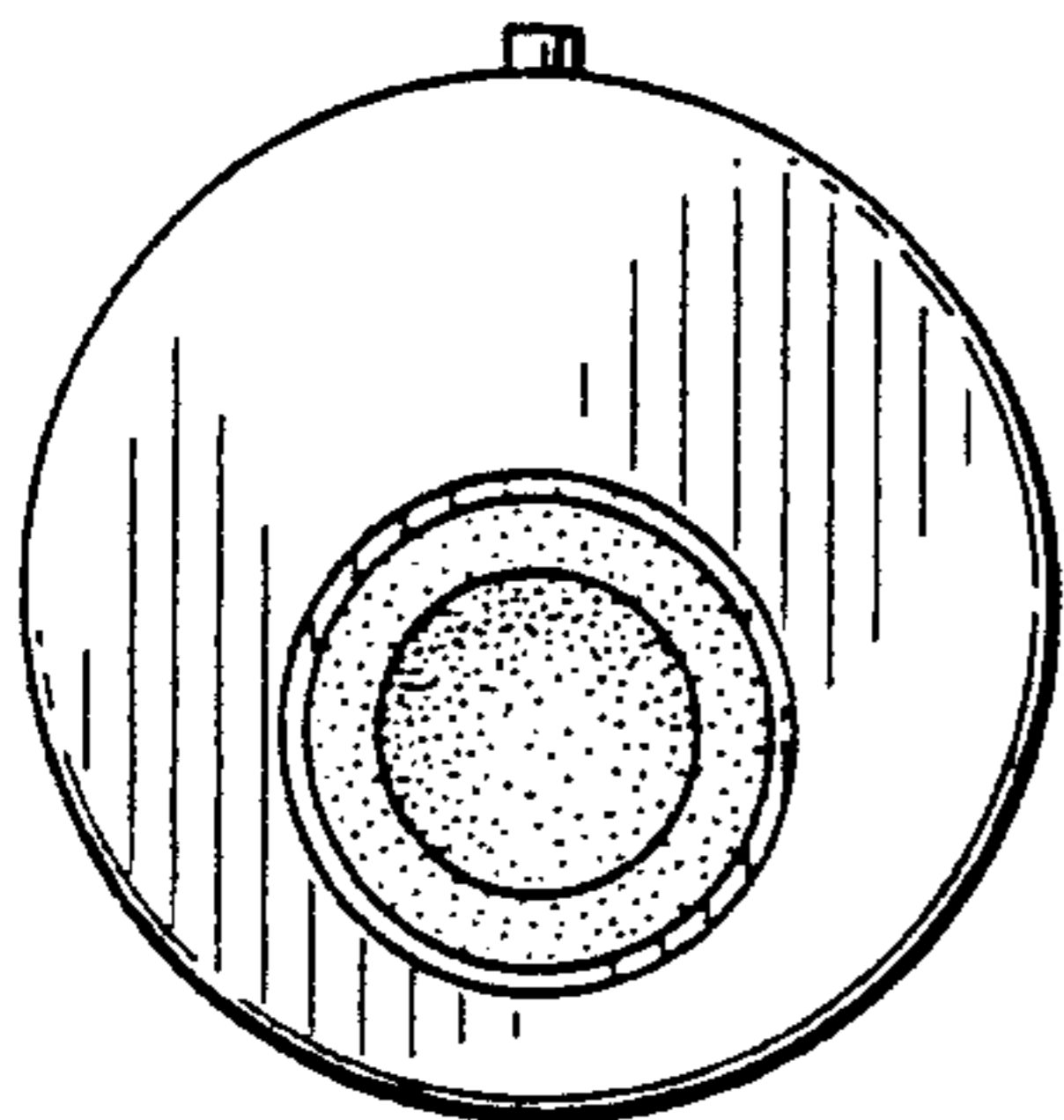


Fig. 4.

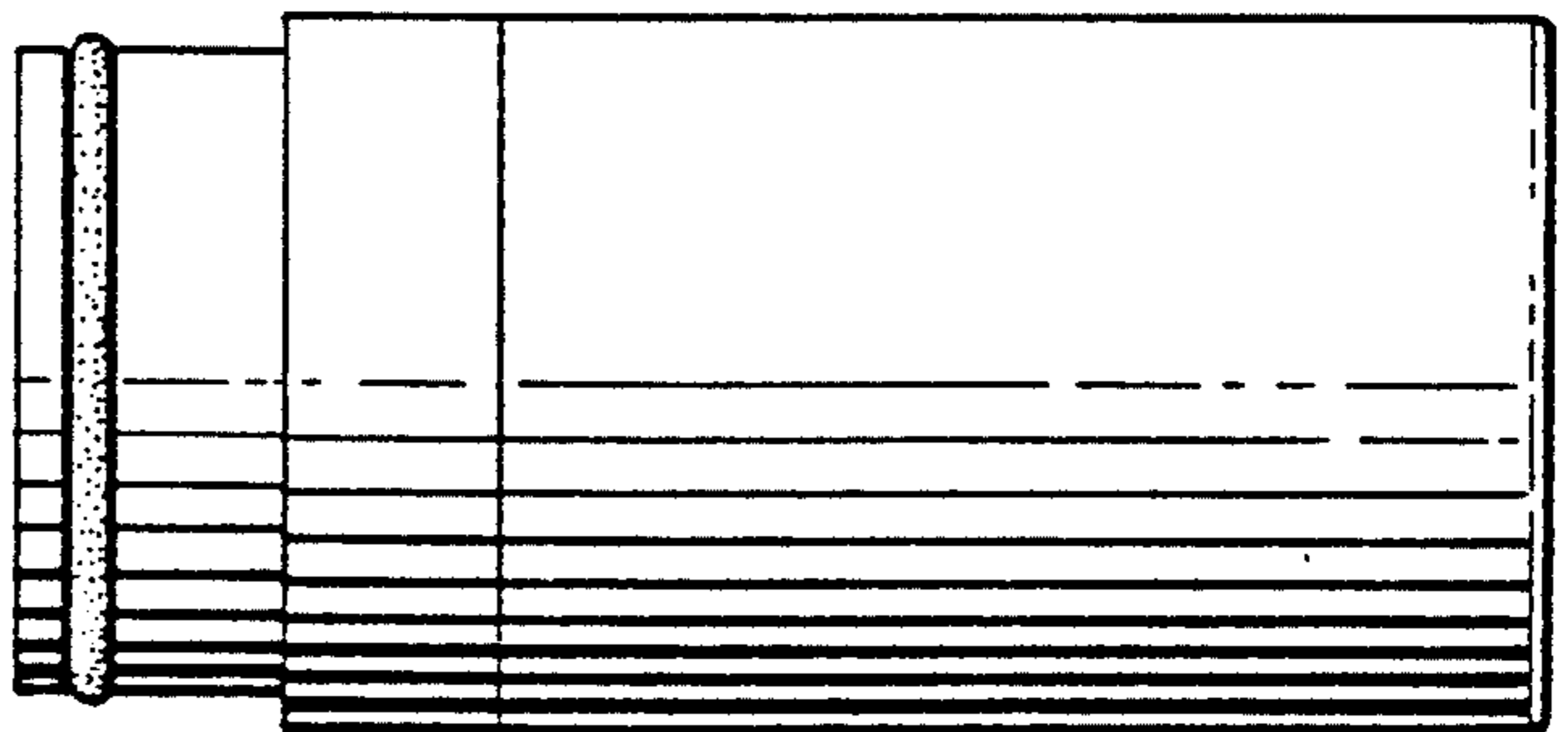


Fig. 5.