



US00D345418S

United States Patent [19]

[11] Patent Number: **Des. 345,418**

Fenton

[45] Date of Patent: **** Mar. 22, 1994**

[54] **BODY MOUNTING FLANGE FOR AN OSTOMY POUCH**

FOREIGN PATENT DOCUMENTS

[75] Inventor: **Leonard Fenton, Beachwood, Ohio**

0098718	1/1984	European Pat. Off.	604/342
2813708	10/1978	Fed. Rep. of Germany	604/344
8503427	8/1985	PCT Int'l Appl.	604/342
2183481	6/1987	United Kingdom	604/342

[73] Assignee: **Marlen Manufacturing and Development Co., Inc., Bedford, Ohio**

[**] Term: **14 Years**

Primary Examiner—A. Hugo Word
Assistant Examiner—I. Simmons
Attorney, Agent, or Firm—Pearne, Gordon, McCoy & Granger

[21] Appl. No.: **904,545**

[22] Filed: **Jun. 26, 1992**

[52] U.S. Cl. **D24/129; D24/118; D24/122**

[57] CLAIM

[58] Field of Search **604/342, 343, 344, 332; D24/108, 118, 129, 112**

The ornamental design for a body mounting flange for an ostomy pouch, as shown and described.

DESCRIPTION

[56] References Cited

U.S. PATENT DOCUMENTS

D. 323,213	1/1992	Iacone	D24/129
3,351,061	11/1967	Nolan	604/344 X
4,642,107	2/1987	Arnone et al.	604/342

FIG. 1 is a front elevational view of a body mounting flange for an ostomy pouch, showing my new design; FIG. 2 is a cross sectional view, the plane of the section being indicated by the line 2—2 in FIG. 1; and, FIG. 3 is a rear elevational view thereof.

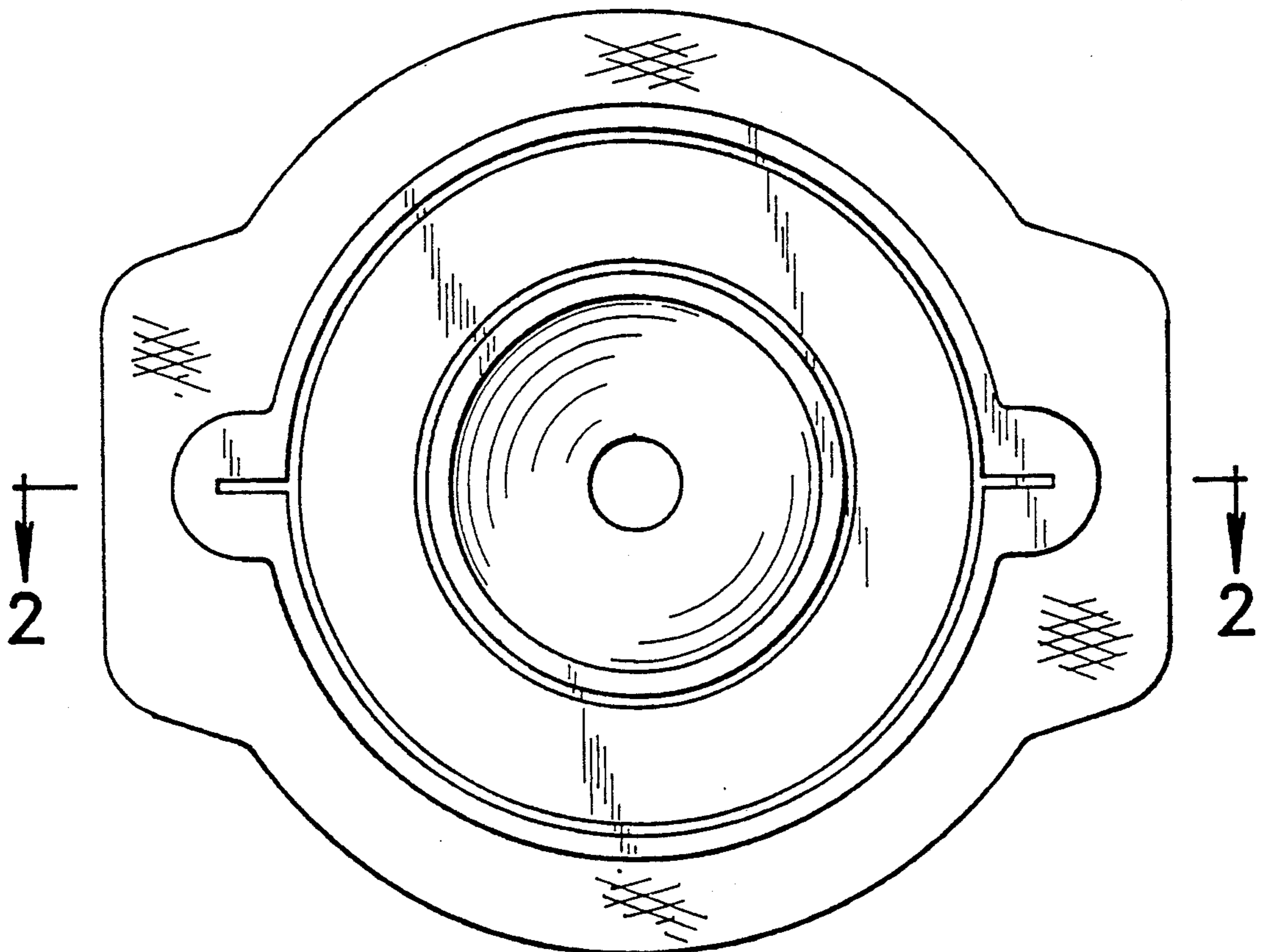


Fig. 1

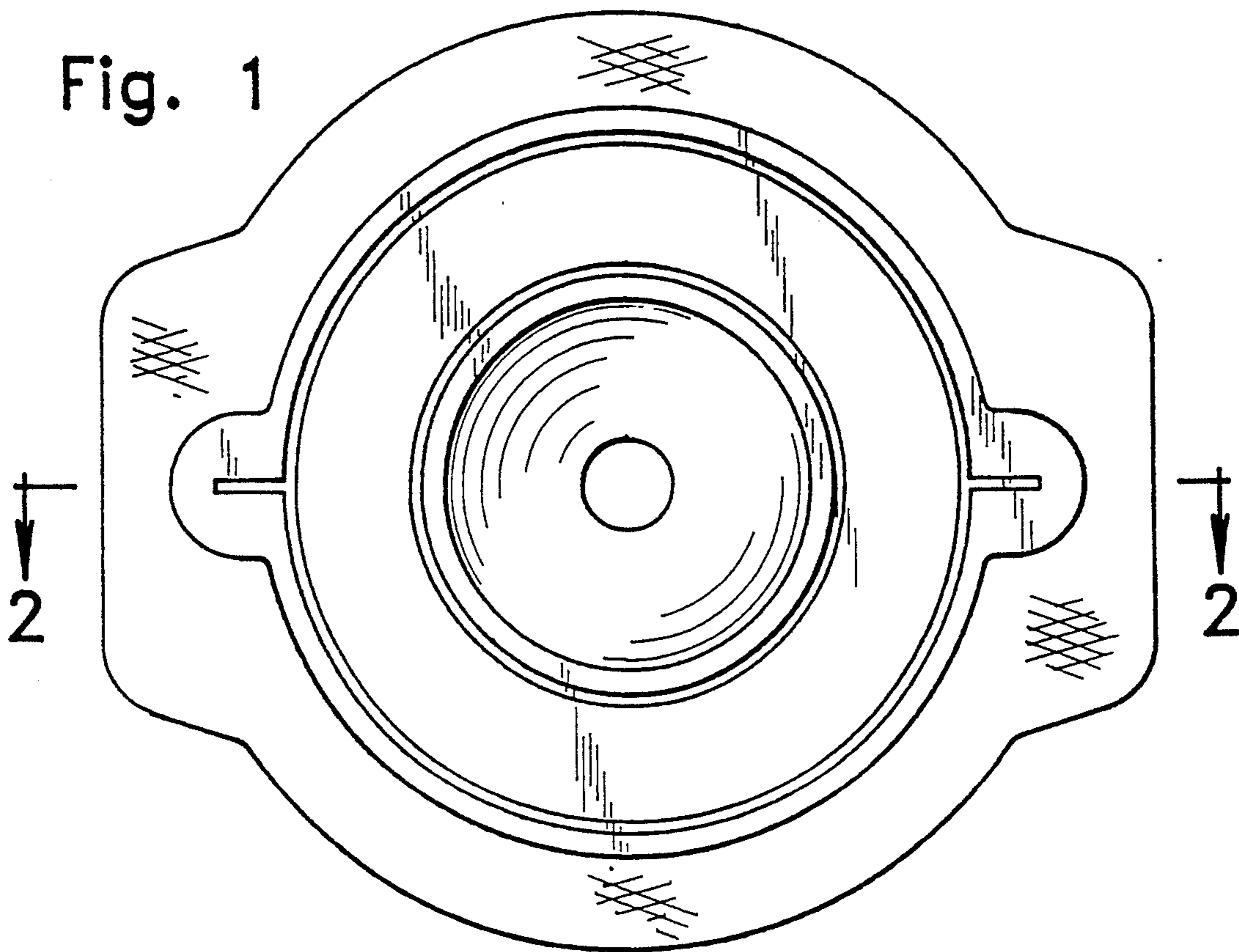
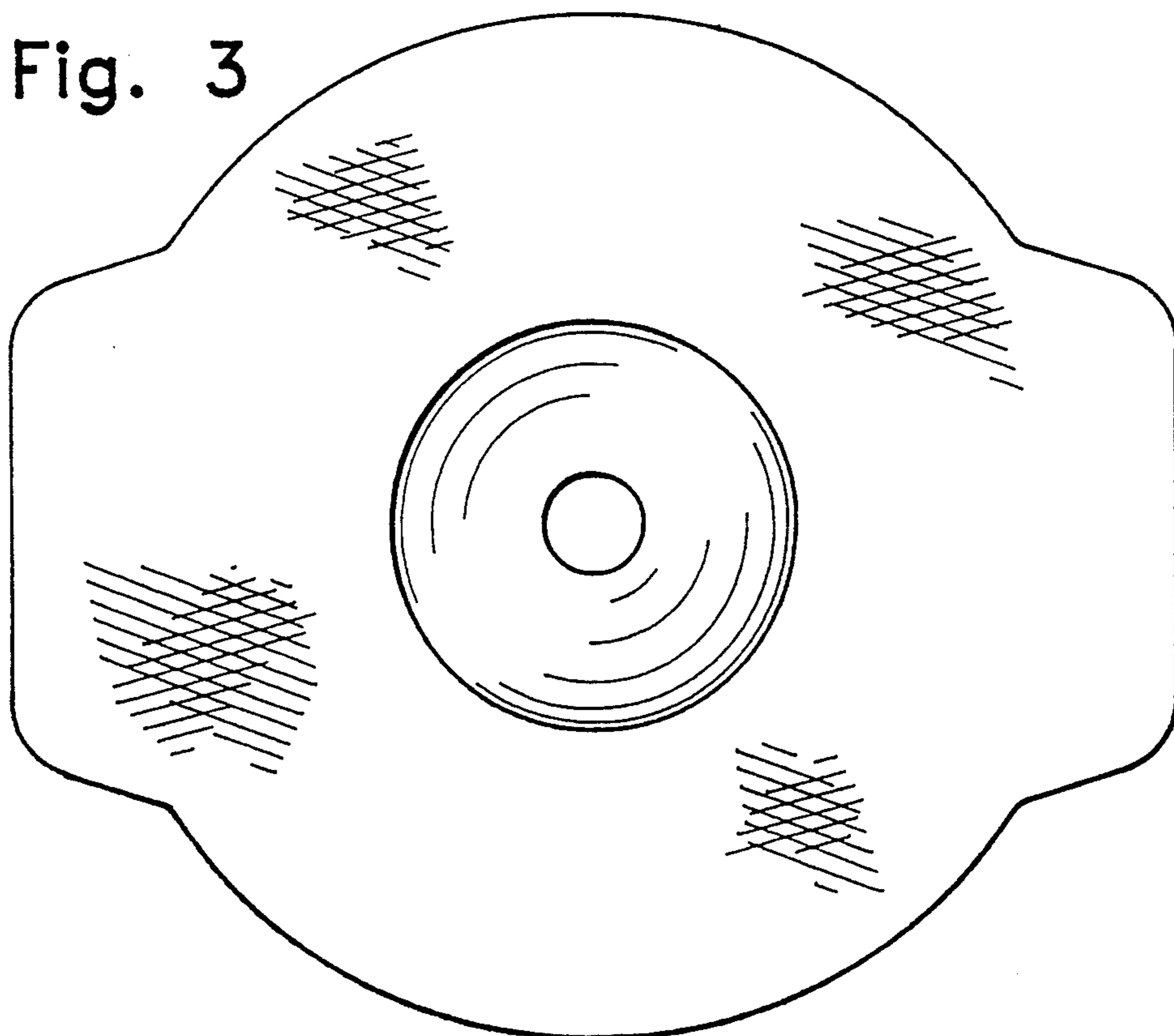


Fig. 3



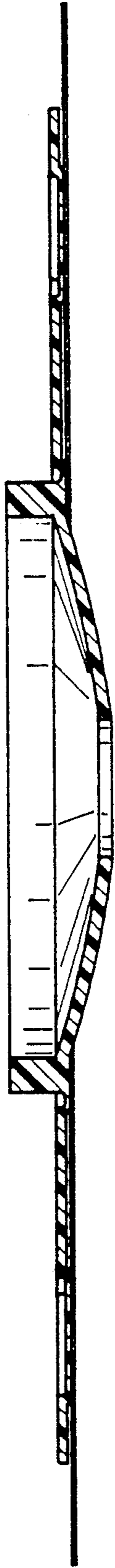


Fig. 2