



US00D345416S

United States Patent [19]

[11] Patent Number: **Des. 345,416**

Steele et al.

[45] Date of Patent: **** Mar. 22, 1994**

[54] **COMBINED SECOND GRATE AND BACKPANEL FOR ATTACHMENT TO A PRIMARY FIREPLACE GRATE**

4,759,340 7/1988 Chong 126/152 B
4,771,760 9/1988 Whiteley 126/163 R

[75] Inventors: **Richard E. Steele, Columbus; John B. Grot, P.O. Box 7186, Columbus, Ga. 31908**

FOREIGN PATENT DOCUMENTS

355055 6/1922 Fed. Rep. of Germany .

[73] Assignee: **John B. Grot**

Primary Examiner—Wallace R. Burke
Assistant Examiner—Lisa Lichtenstein
Attorney, Agent, or Firm—Jones & Askew

[**] Term: **14 Years**

[57] CLAIM

[21] Appl. No.: **865,111**

The ornamental design for a combined second grate and backpanel for attachment to a primary fireplace grate, as shown and described.

[22] Filed: **Apr. 8, 1992**

[52] U.S. Cl. **D23/398**

[58] Field of Search 126/152 B, 152 A, 298, 126/541, 540; D23/398, 399

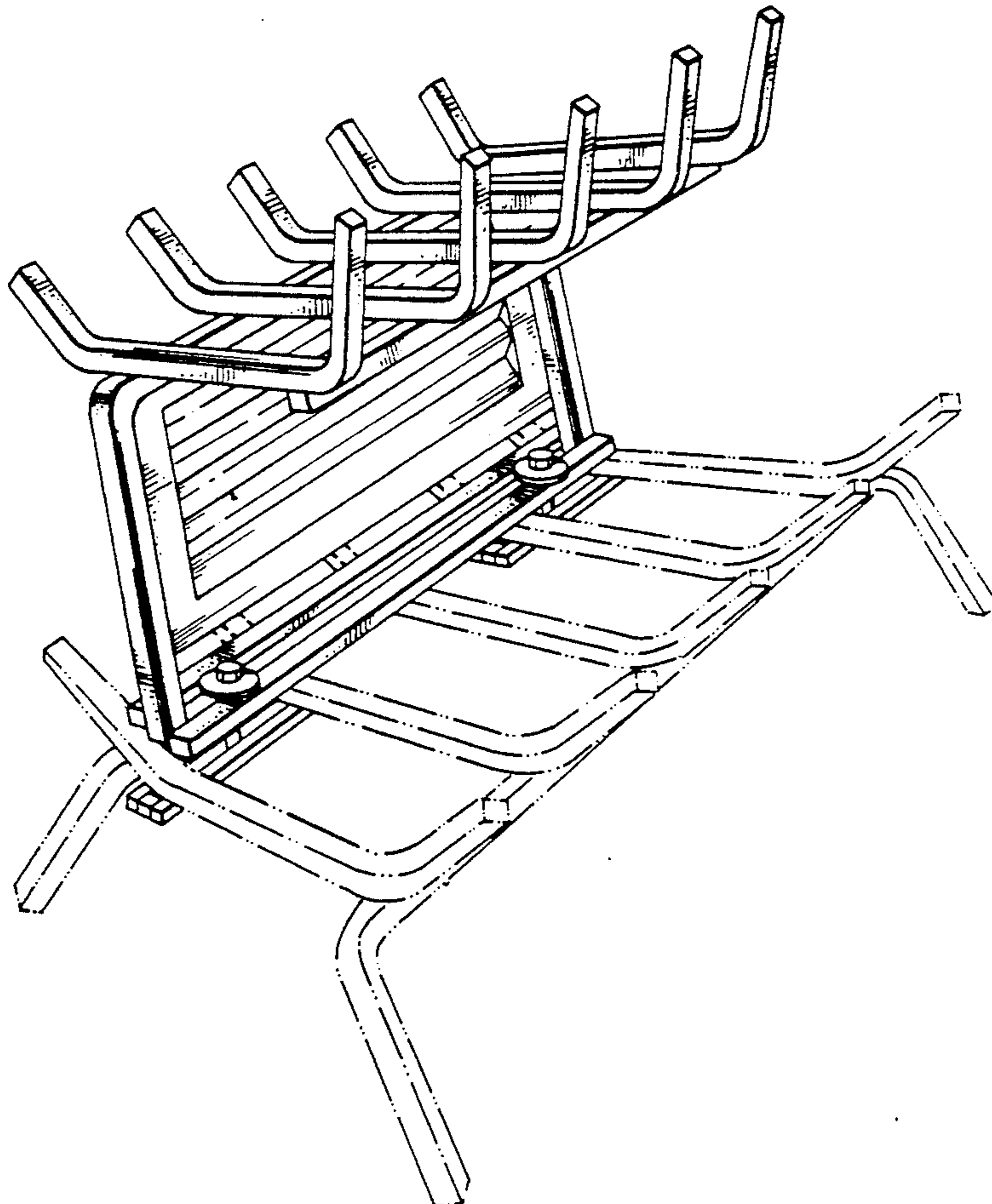
DESCRIPTION

[56] References Cited

U.S. PATENT DOCUMENTS

36,639	10/1862	Bickel	126/77
D. 197,102	12/1963	Pryor	D23/398
D. 209,258	11/1967	McDonald	D23/398
D. 247,343	2/1978	Smith	D23/398
4,257,391	3/1981	Carin	126/126 R
4,305,375	12/1981	George	126/540
4,328,785	5/1982	Kishiyama	126/505
4,441,481	4/1984	Verhaegen	126/522
4,526,159	7/1985	Vroome	126/298

FIG. 1 is a perspective view of our new combined second grate and backpanel for attachment to a primary fireplace grate;
FIG. 2 is top view thereof;
FIG. 3 is a front view thereof;
FIG. 4 is a side view thereof, the opposite side being a mirror image of that shown;
FIG. 5 is a bottom view thereof; and,
FIG. 6 is a rear view thereof.
The broken lines showing of the primary fireplace grate is for illustrative purposes only and forms no part of the claimed design.



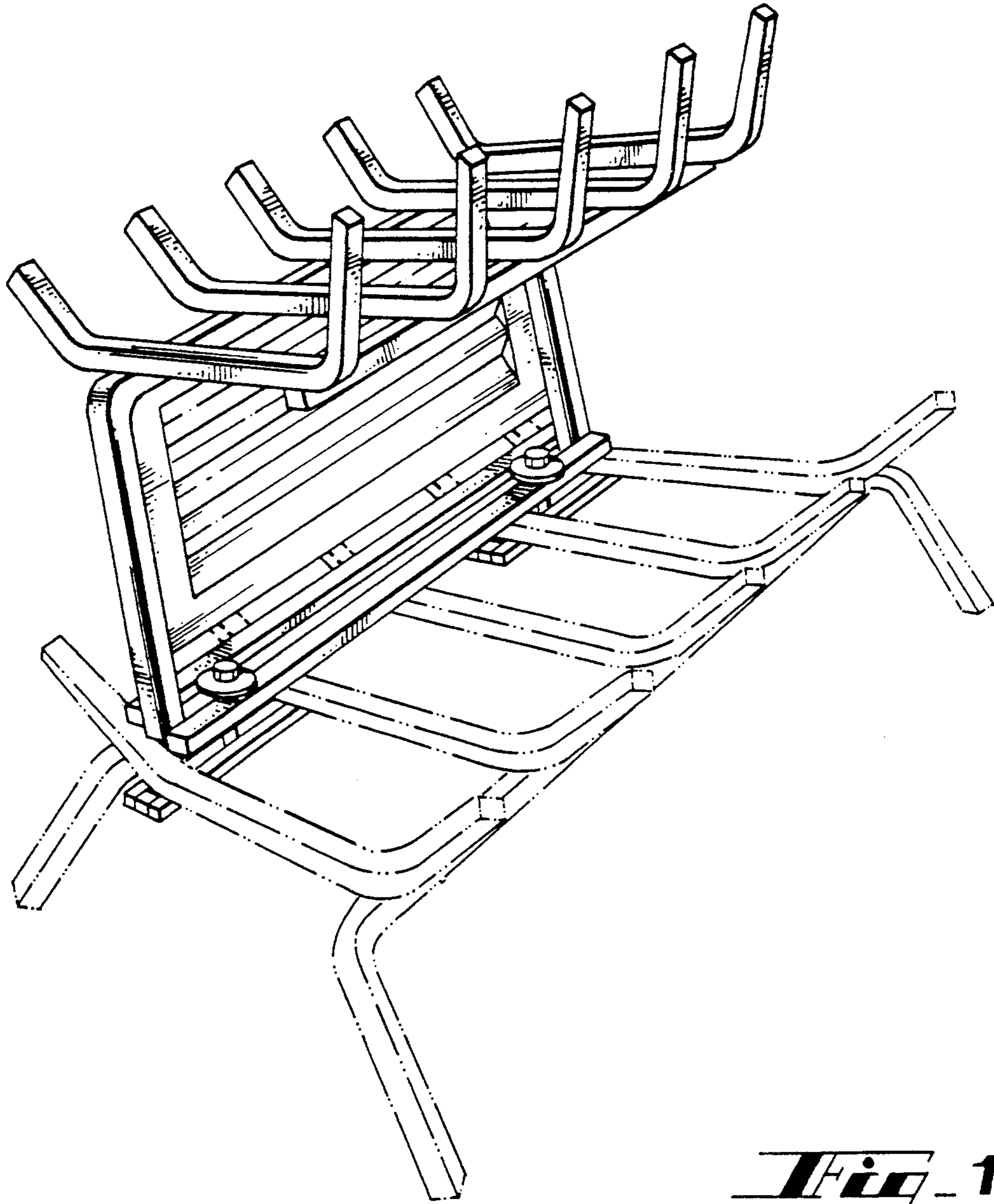


Fig. 1

Fig. 2

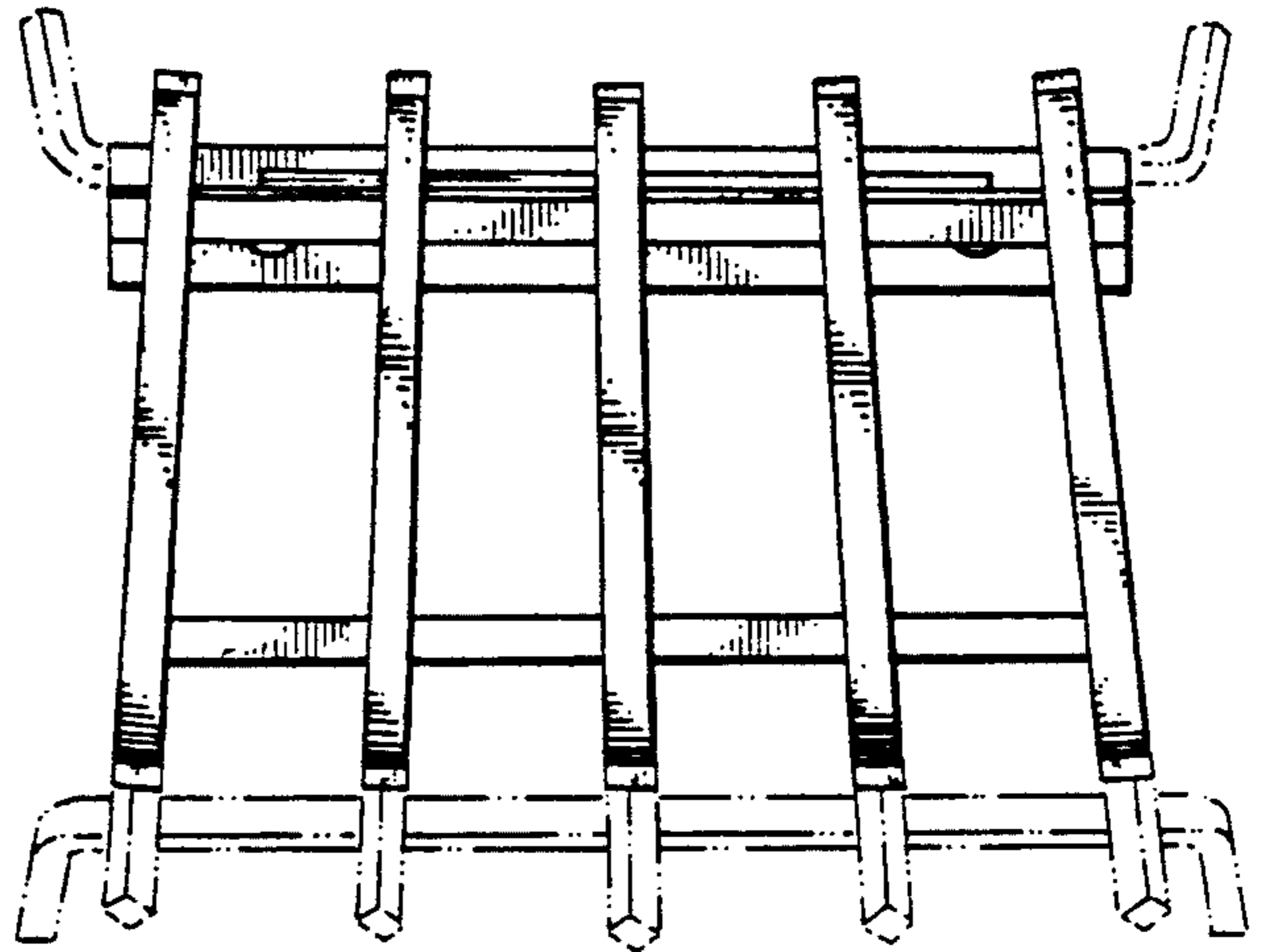


Fig. 4

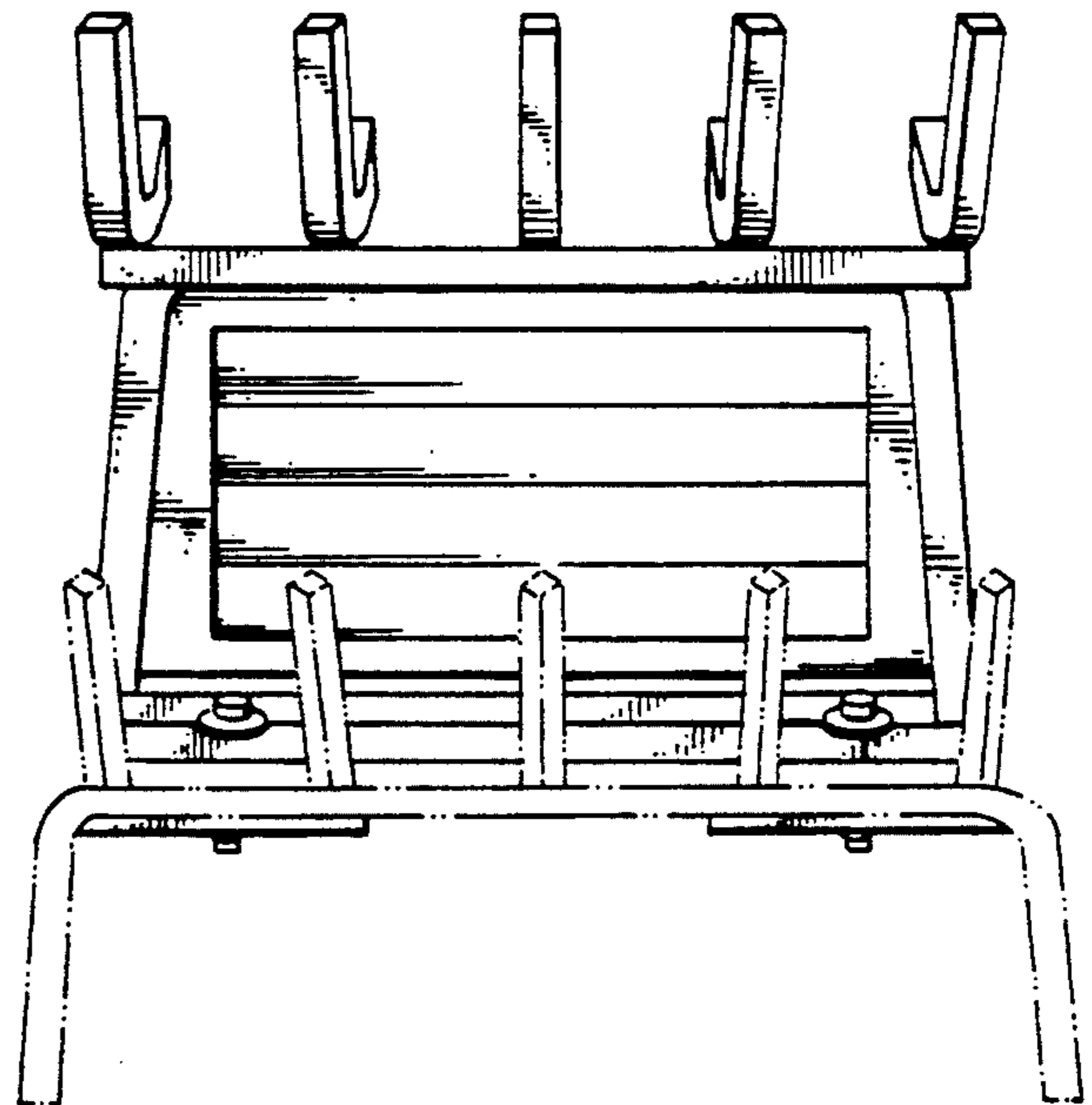
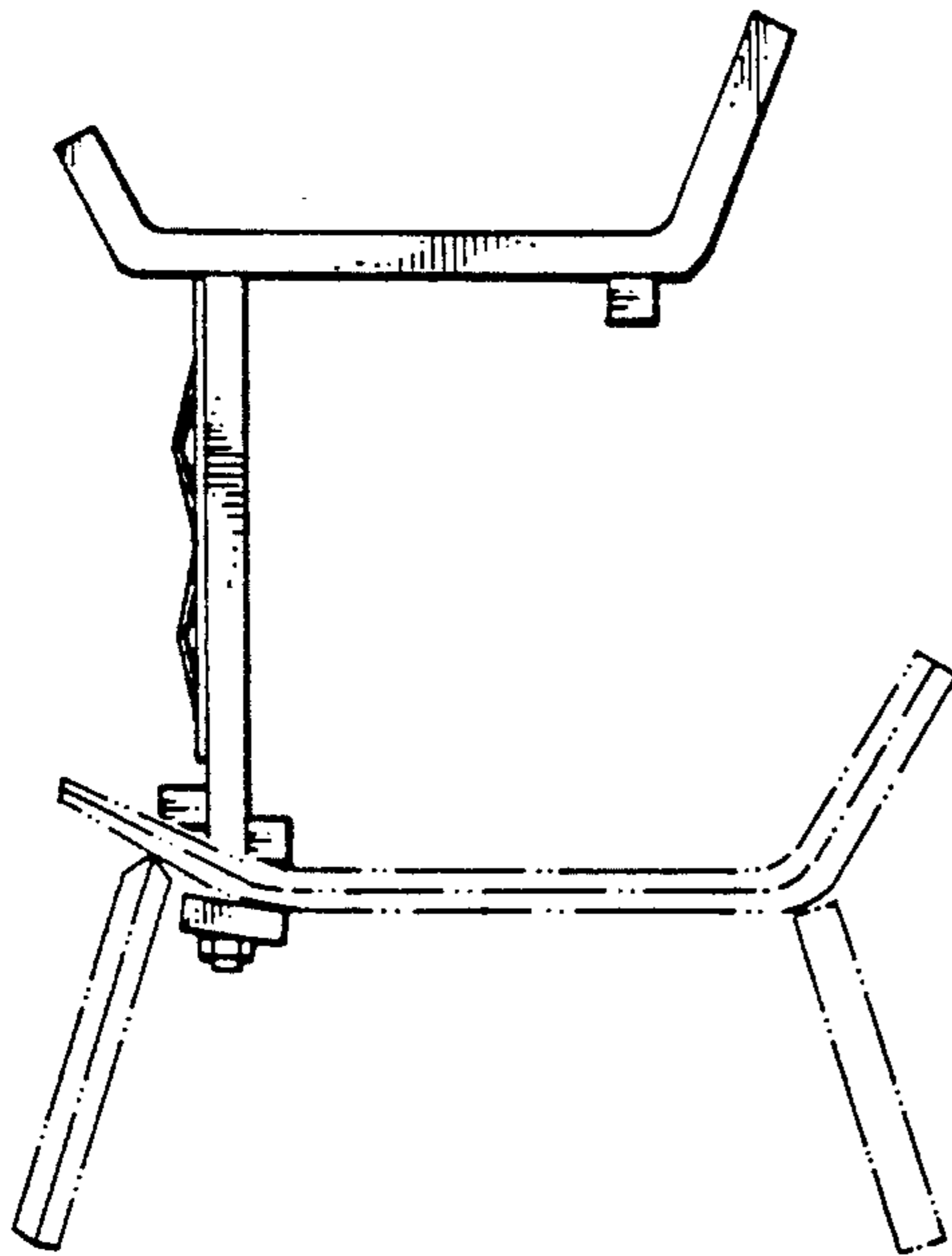


Fig. 3

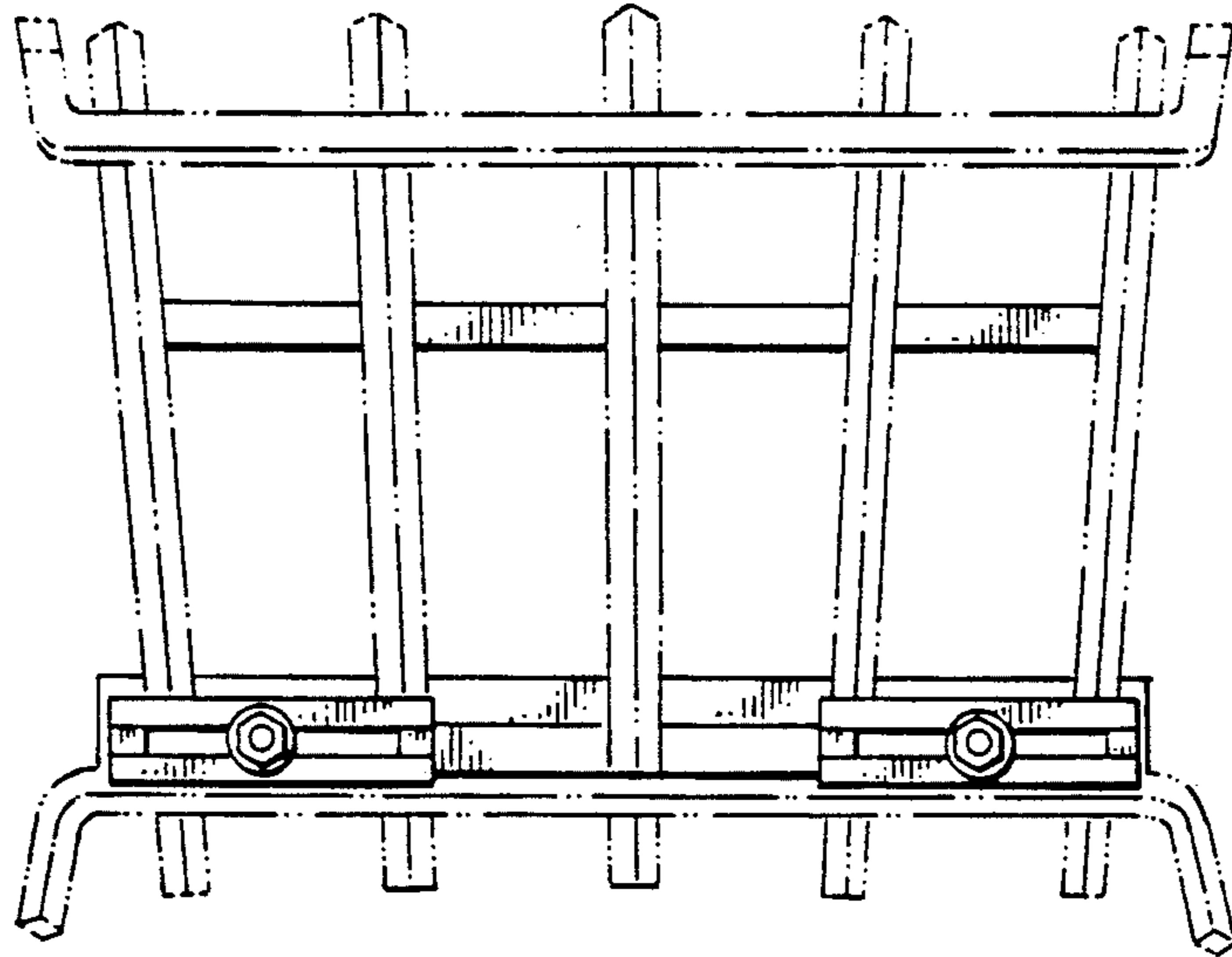


Fig. 5

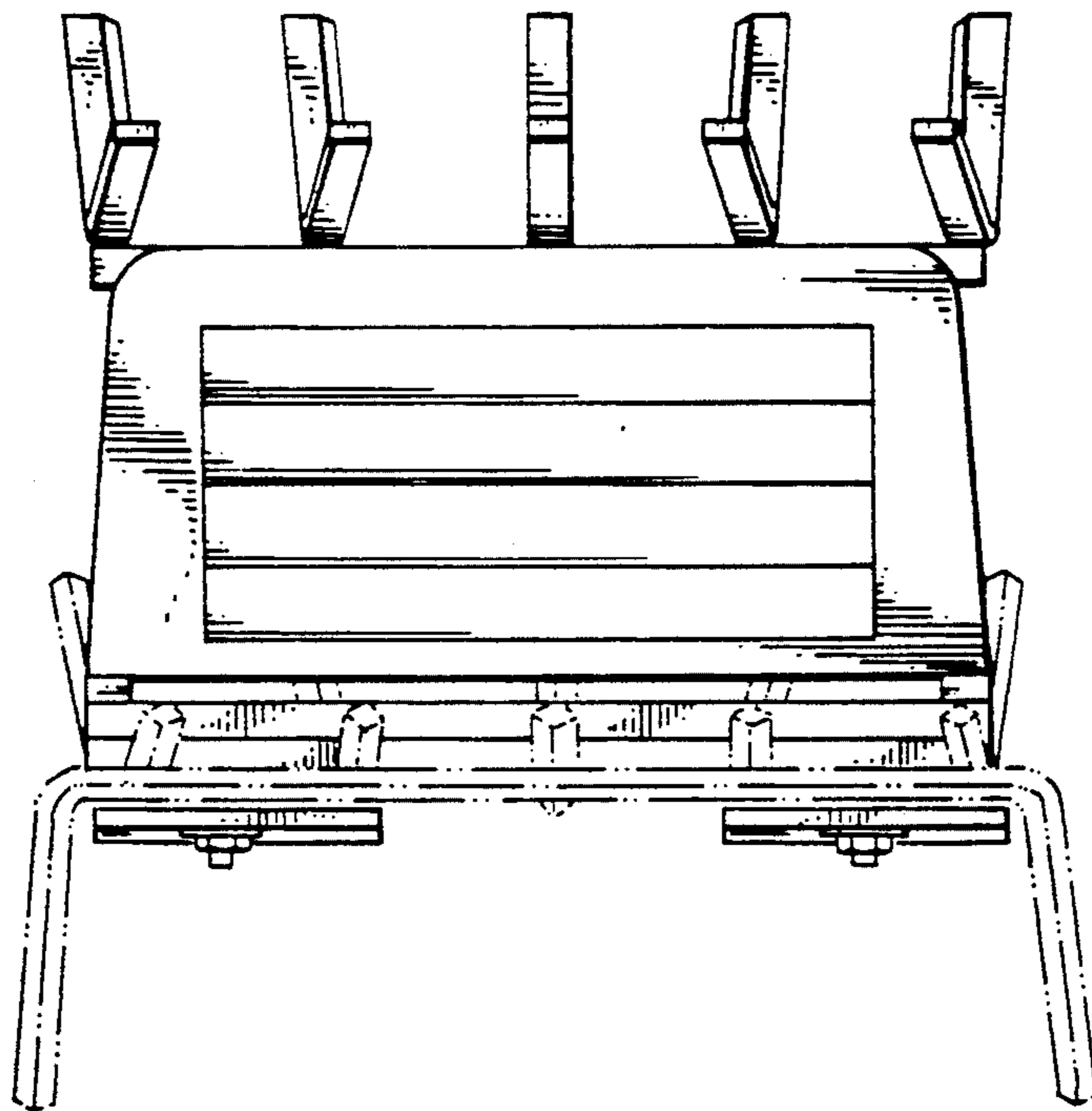


Fig. 6