



US00D345415S

# United States Patent [19]

[11] Patent Number: **Des. 345,415**

Bremer

[45] Date of Patent: **\*\* Mar. 22, 1994**

[54] **RESISTIVE WATER HEATER ELEMENT**

[76] Inventor: **Richard W. Bremer, P.O. Box 1395, Hemet, Calif. 92343**

[\*\*] Term: **14 Years**

[21] Appl. No.: **641,355**

[22] Filed: **Jan. 15, 1991**

[52] U.S. Cl. .... **D23/322**

[58] Field of Search ..... 392/308, 370, 392, 430, 392/441, 451, 453, 455, 485; D23/318-322

[56] **References Cited**

**U.S. PATENT DOCUMENTS**

1,323,643	4/1919	Mulvany et al. ....	451/392
1,408,634	3/1922	Passmore et al. ....	308/392
1,815,088	7/1931	Allen et al. ....	310/392
1,879,880	9/1932	Lindsey .....	38/126
1,937,059	11/1933	Fountain .....	219/38
2,304,302	12/1942	Crupi .....	219/37
3,527,260	9/1970	Kimmel .....	122/136
3,687,128	8/1972	Williams .....	126/350 R
3,738,351	6/1973	Watts .....	126/350 R
3,768,458	10/1973	Williams .....	126/350 R
3,802,397	4/1974	Wariner .....	122/136
3,943,328	3/1976	Cunningham .....	219/335
4,093,816	6/1978	Case .....	13/2 R
4,152,578	5/1979	Jacobs .....	219/336
4,240,362	12/1980	Wigdahl .....	110/234

4,310,746	1/1982	Elkern et al. ....	219/326
4,401,101	8/1983	Lunde .....	126/367
4,587,401	5/1986	Ekman .....	392/308

**FOREIGN PATENT DOCUMENTS**

2244926 3/1974 Fed. Rep. of Germany .

**OTHER PUBLICATIONS**

Trailer Life, p. 103, Hot Rod ©, upper right side of page.

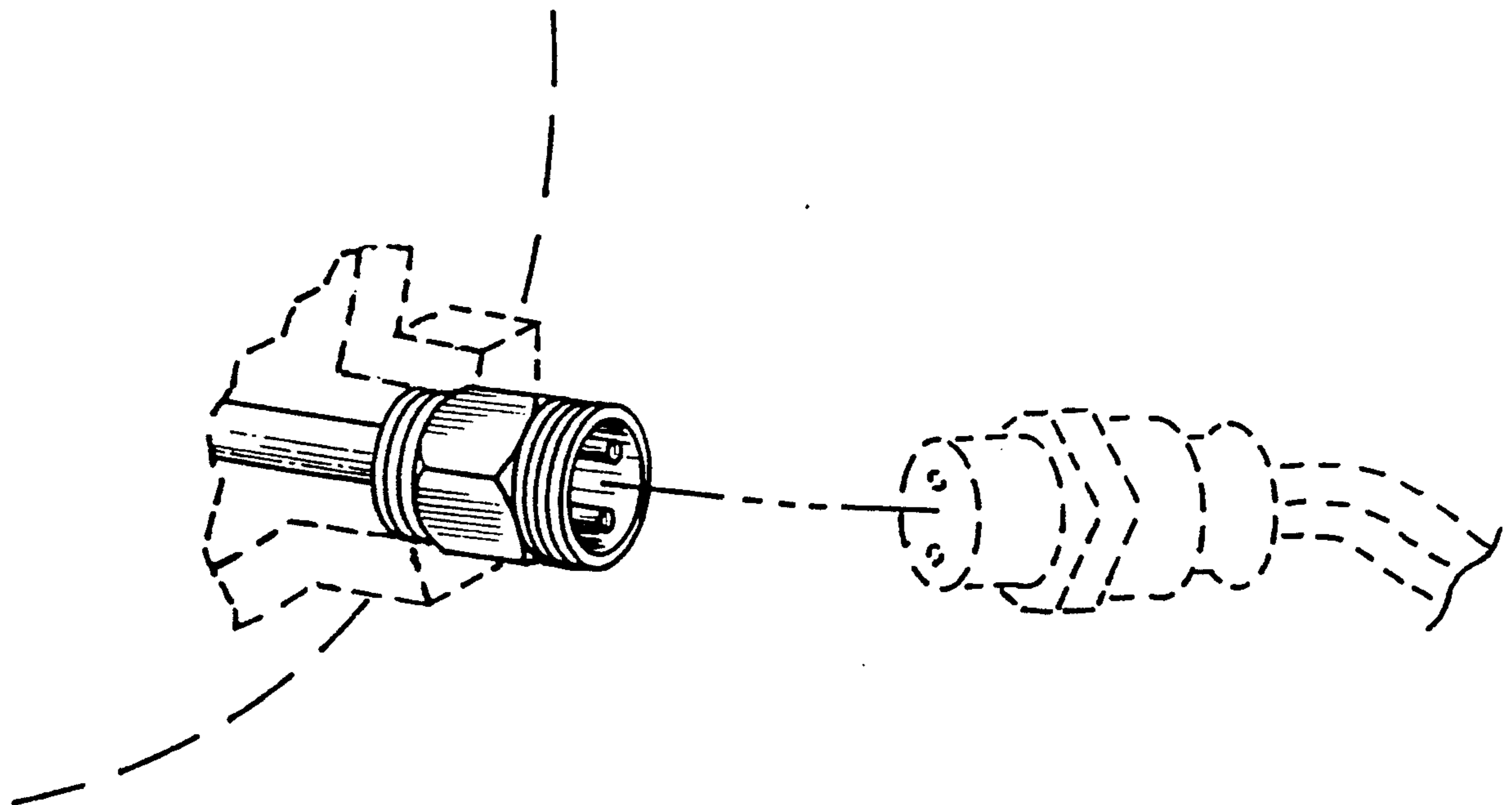
*Primary Examiner*—Wallace R. Burke  
*Assistant Examiner*—Lisa Lichtenstein  
*Attorney, Agent, or Firm*—Bernhard Kreten

[57] **CLAIM**

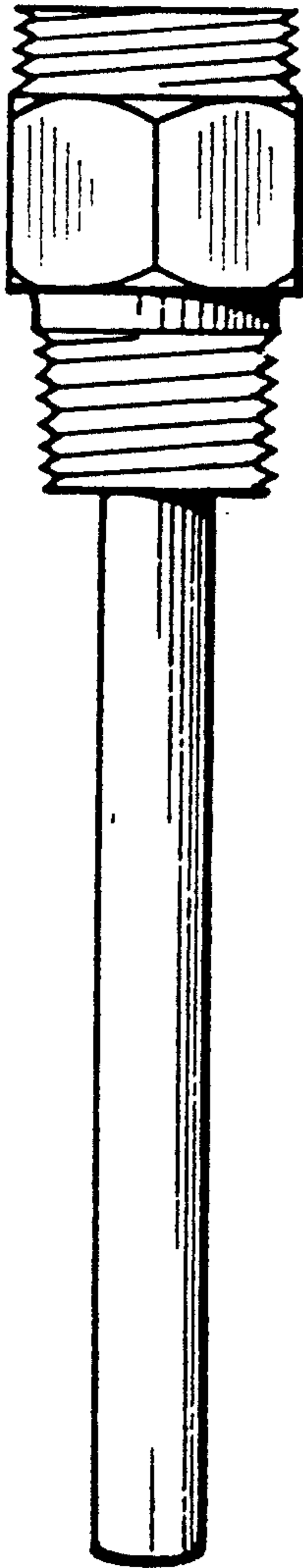
The ornamental design for a resistive water heater element, as shown and described.

**DESCRIPTION**

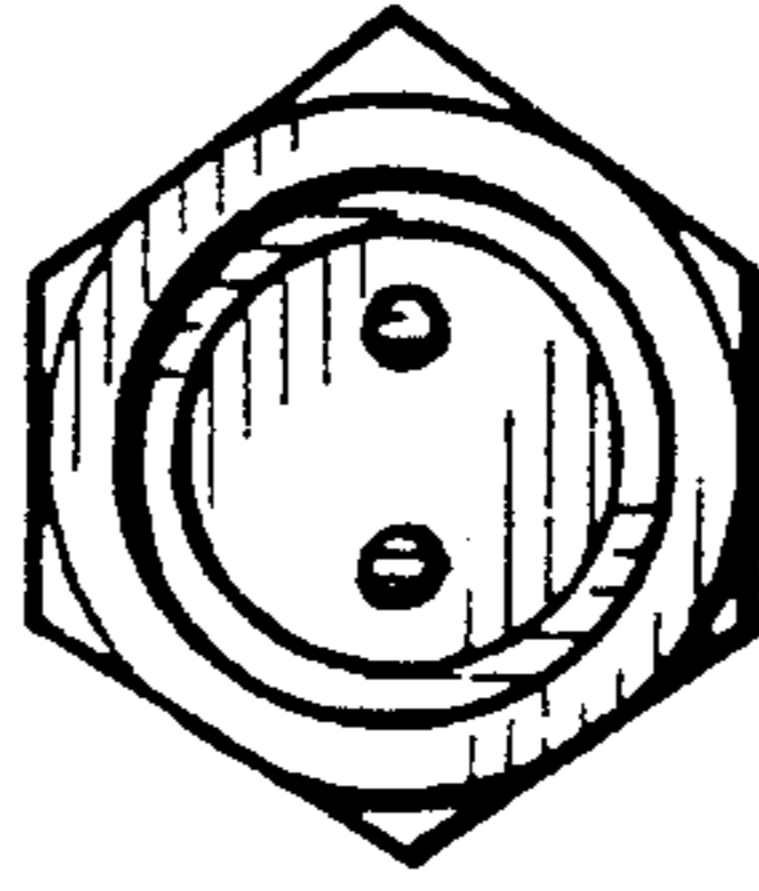
FIG. 1 is a side view of a resistive water heater element showing my new design, wherein both sides of the resistive water heater element are the same; FIG. 2 is a top view thereof; FIG. 3 is a bottom view thereof; and, FIG. 4 is a perspective view in the intended environment. The broken-line showing of environmental structure in FIG. 4 is for illustrative purposes only and forms no part of the claimed design.



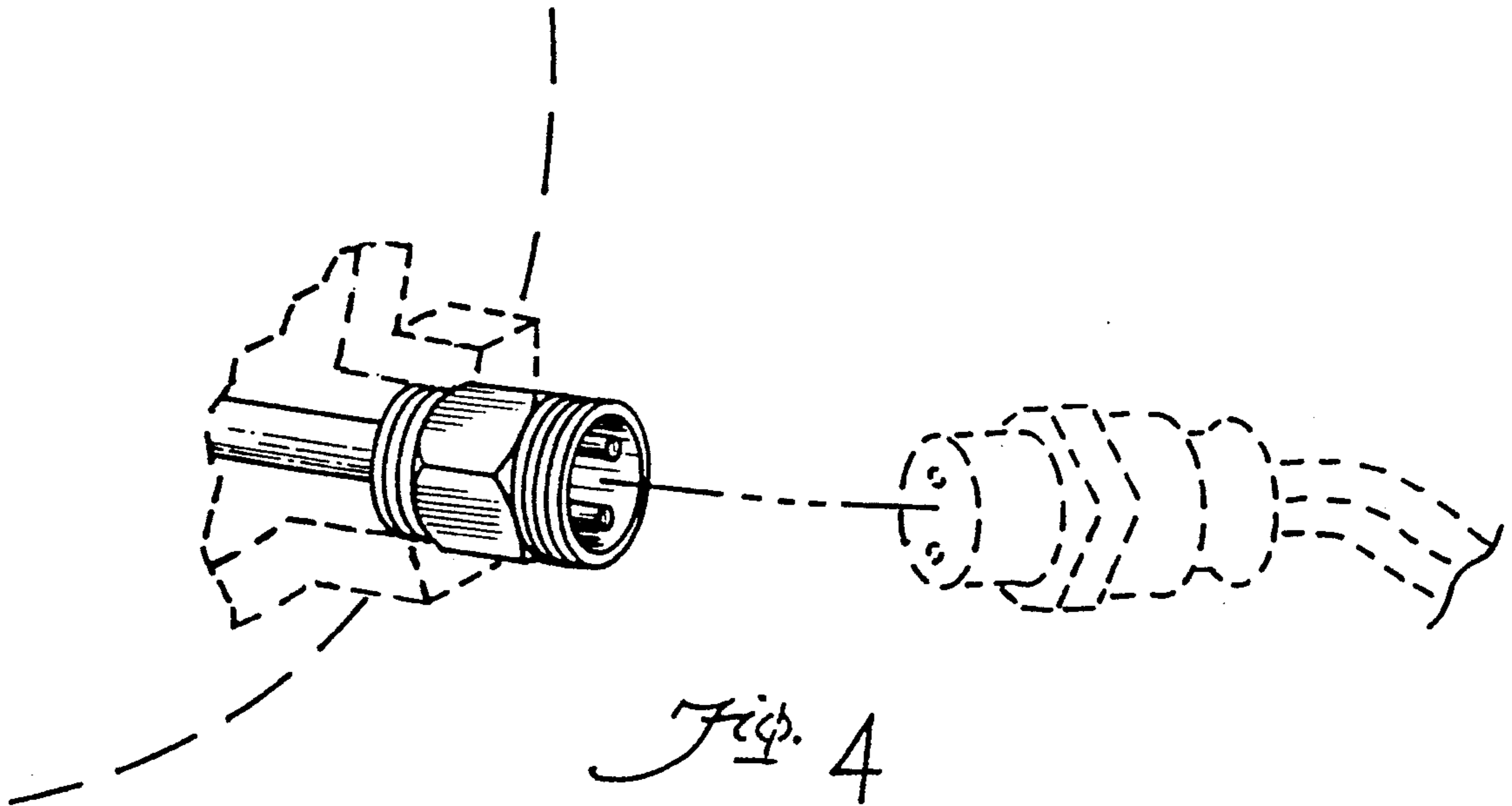
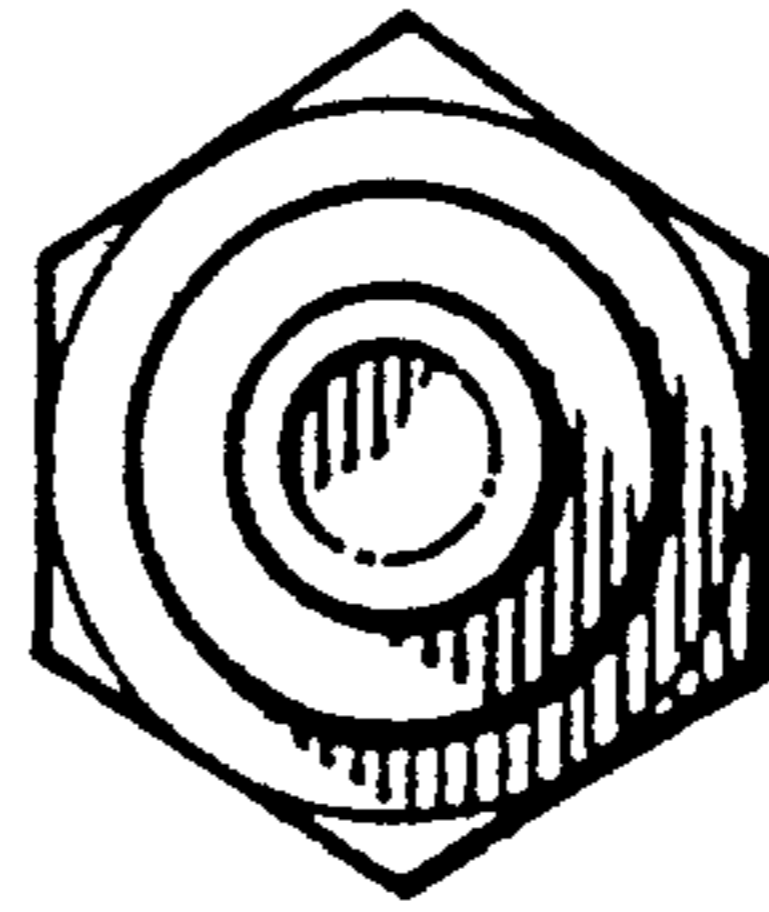
*Fig. 1*



*Fig. 2*



*Fig. 3*



*Fig. 4*