



US00D345414S

United States Patent [19]

Douglas

[11] Patent Number: **Des. 345,414**

[45] Date of Patent: **** Mar. 22, 1994**

[54] **PORTABLE TOILET SEAT FOR A CHILD**

[76] Inventor: **Jeffrey Douglas**, 5857 Harrell St.,
Detroit, Mich. 48213

[**] Term: **14 Years**

[21] Appl. No.: **882,105**

[22] Filed: **May 14, 1992**

[52] U.S. Cl. **D23/296**

[58] Field of Search 4/235, 239, 449, 476-479,
4/483; D23/295-301, 309-312

3,340,546	9/1967	Moore et al.	4/239
3,343,179	9/1967	Sellors, Jr. et al.	4/276
3,371,356	3/1968	Benjamin	4/239
3,579,663	5/1971	Leiter .	
4,193,144	3/1980	McNally .	
4,525,880	7/1985	Bass .	

Primary Examiner—James R. Largen
Attorney, Agent, or Firm—Terry M. Gernstein

[57] CLAIM

I claim the ornamental design for a portable toilet seat for a child, as shown and described.

DESCRIPTION

FIG. 1 is a top, front and side perspective view of the portable toilet seat for a child embodying the design of the present invention;

FIG. 2 is a front elevational view thereof;

FIG. 3 is a rear elevational view thereof;

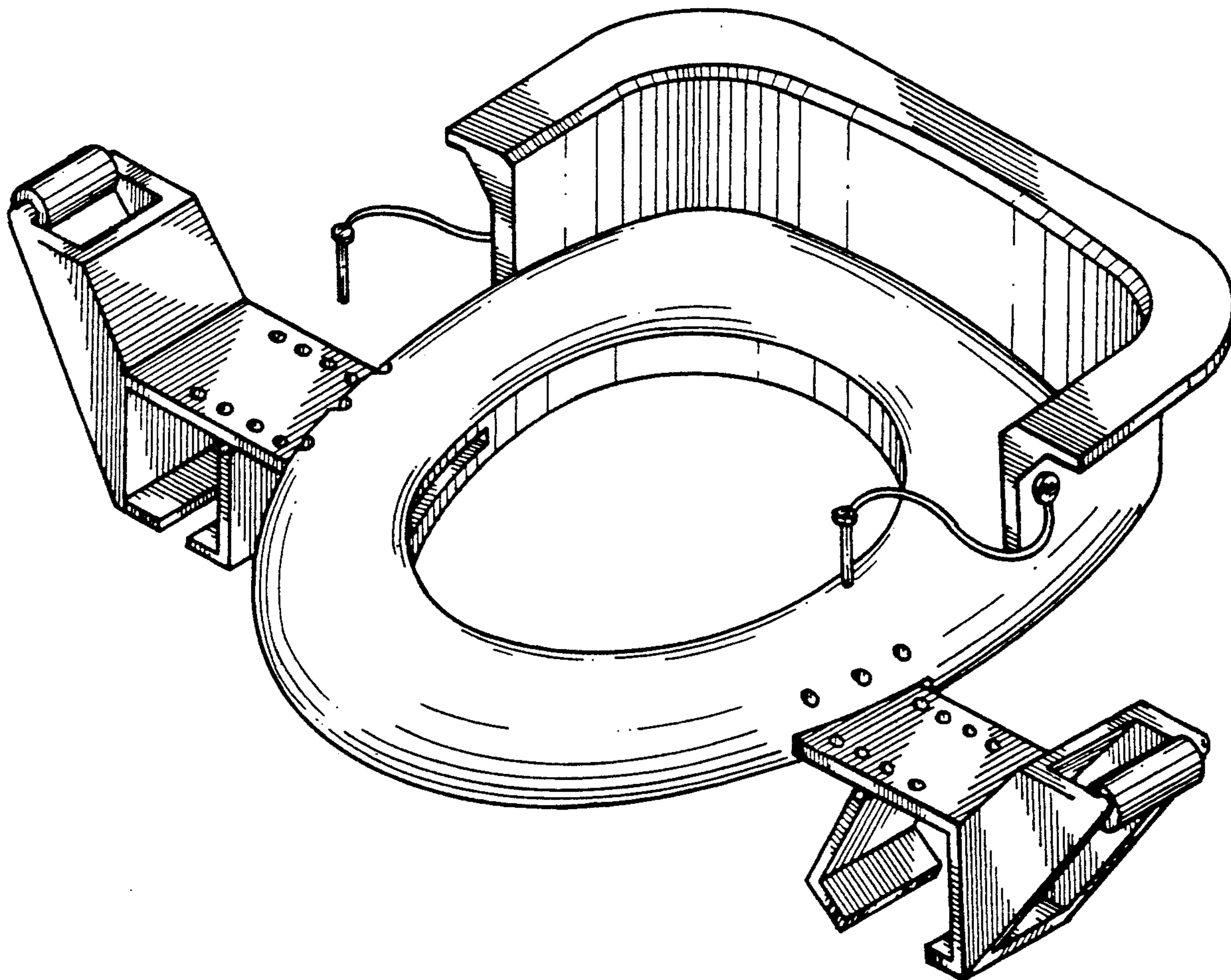
FIG. 4 is a right side elevational view thereof; the left side being a mirror image of the right side;

FIG. 5 is a top plan view thereof; and,

FIG. 6 is a bottom view thereof.

[56] References Cited U.S. PATENT DOCUMENTS

D. 93,774	11/1934	Kroll et al.	D23/296
D. 163,556	6/1951	Baldanza	D23/296
D. 184,408	2/1959	Pearl	D23/296
D. 188,454	7/1960	Zapolski	D23/296
D. 202,692	11/1965	Forsman et al.	D23/296
D. 204,185	3/1966	Benjamin	D23/296
D. 231,830	6/1974	Panicci	D23/296
2,767,408	10/1956	Reibman	7/239



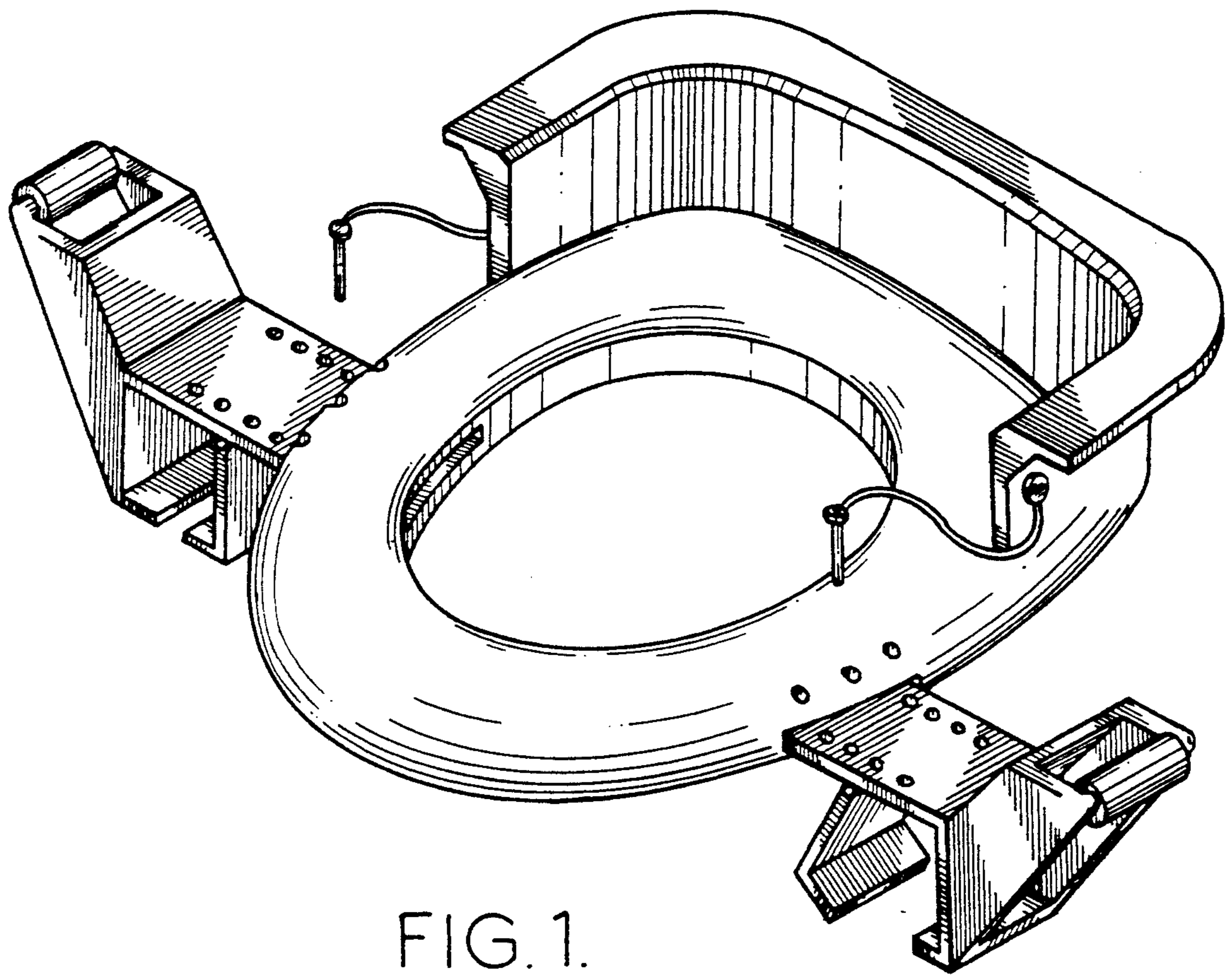


FIG. 1.

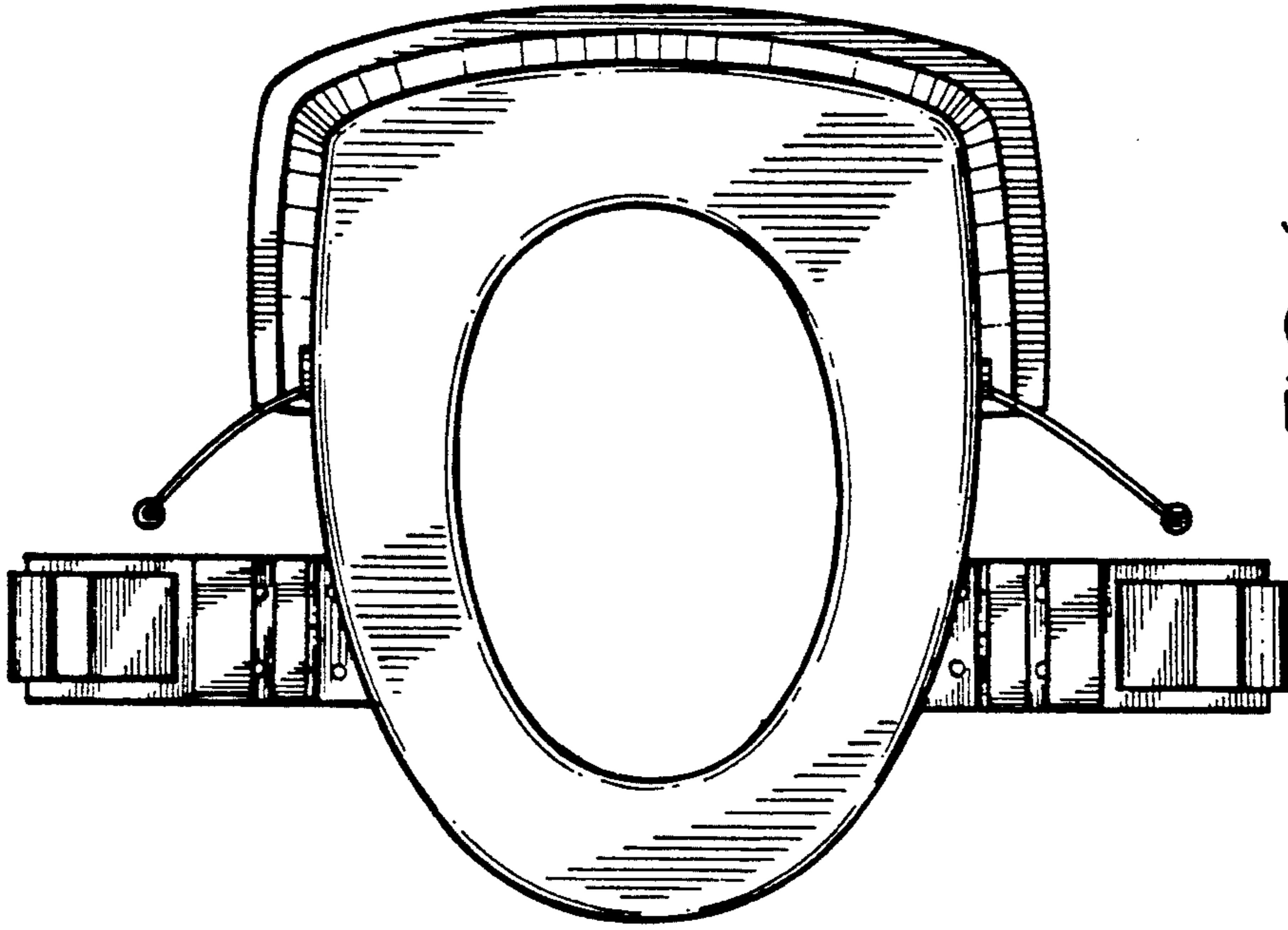


FIG. 6.

FIG. 2.

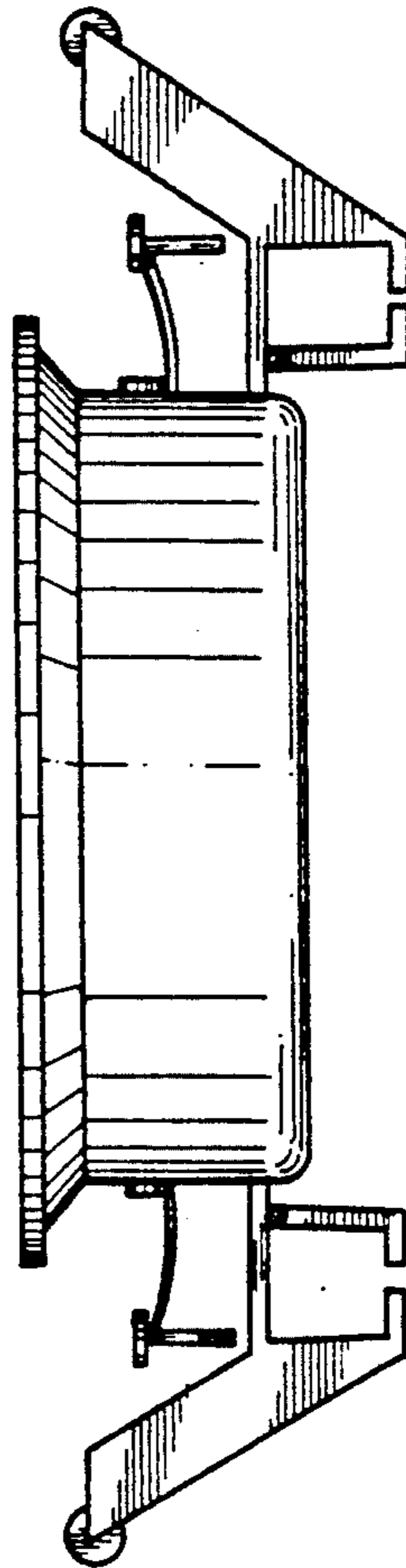
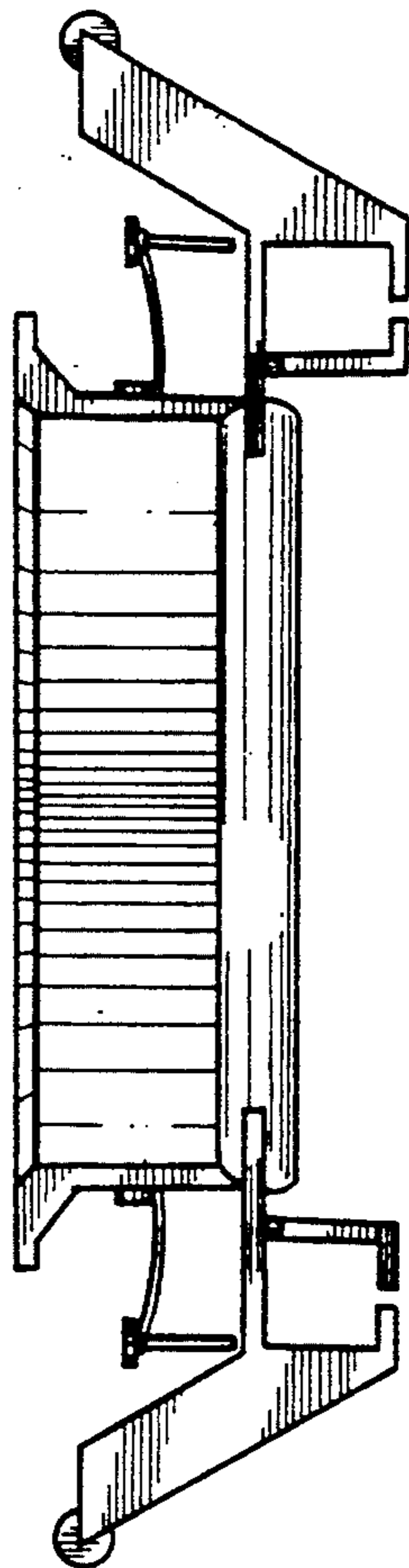


FIG. 3.

