



US00D345413S

United States Patent [19]

[11] Patent Number: **Des. 345,413**

Brown

[45] Date of Patent: **** Mar. 22, 1994**

[54] **ELBOW**

[75] Inventor: **Brad Brown, Toronto, Canada**

[73] Assignee: **HMI Incorporated, Rexdale, Canada**

[**] Term: **14 Years**

[21] Appl. No.: **679,551**

[22] Filed: **Apr. 2, 1991**

[52] U.S. Cl. **D23/263**

[58] Field of Search **285/177-179;**
D23/259, 262-265

2,581,047 1/1952 Salmond et al. 285/181
 3,263,244 8/1966 Katz 285/179 XV
 4,181,330 1/1980 Kojima 285/177

Primary Examiner—James R. Largen
Attorney, Agent, or Firm—Riches, McKenzie & Herbert

[57] CLAIM

The ornamental design for an elbow, substantially as shown.

DESCRIPTION

FIG. 1 is a perspective view taken from the top, front and left side thereof;
 FIG. 2 is a front elevational view thereof;
 FIG. 3 is a right side elevational view thereof;
 FIG. 4 is a left side elevational view thereof;
 FIG. 5 is a top plan view thereof;
 FIG. 6 is a bottom plan view thereof; and,
 FIG. 7 is a rear elevational view thereof.

[56] **References Cited**

U.S. PATENT DOCUMENTS

D. 283,833 5/1986 Macintyre D23/263
 977,740 12/1910 Higgins 285/179 XV
 1,868,696 7/1932 Crary 285/181
 2,011,721 8/1935 Luff 285/179

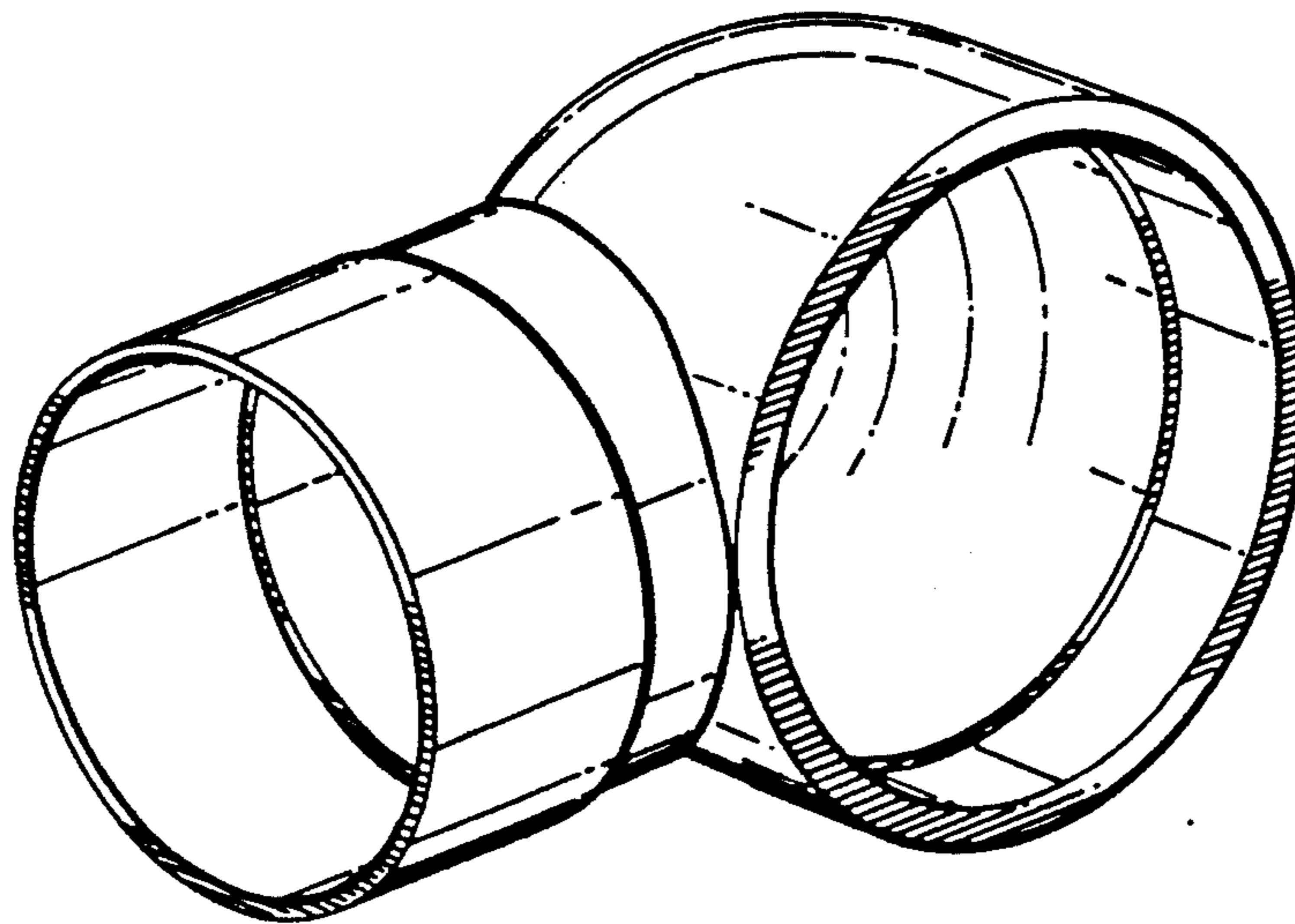


FIG. 1.

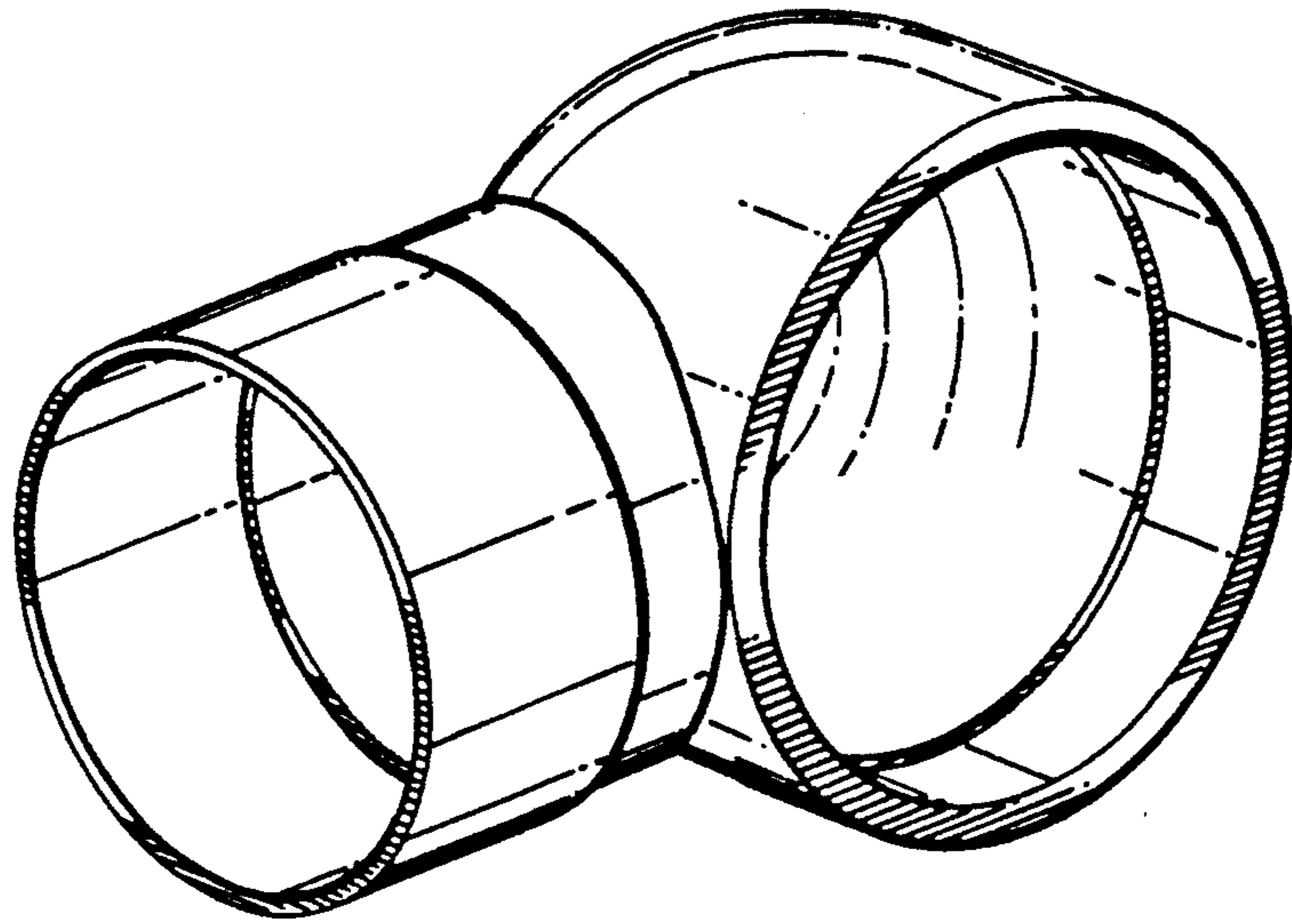


FIG. 2.

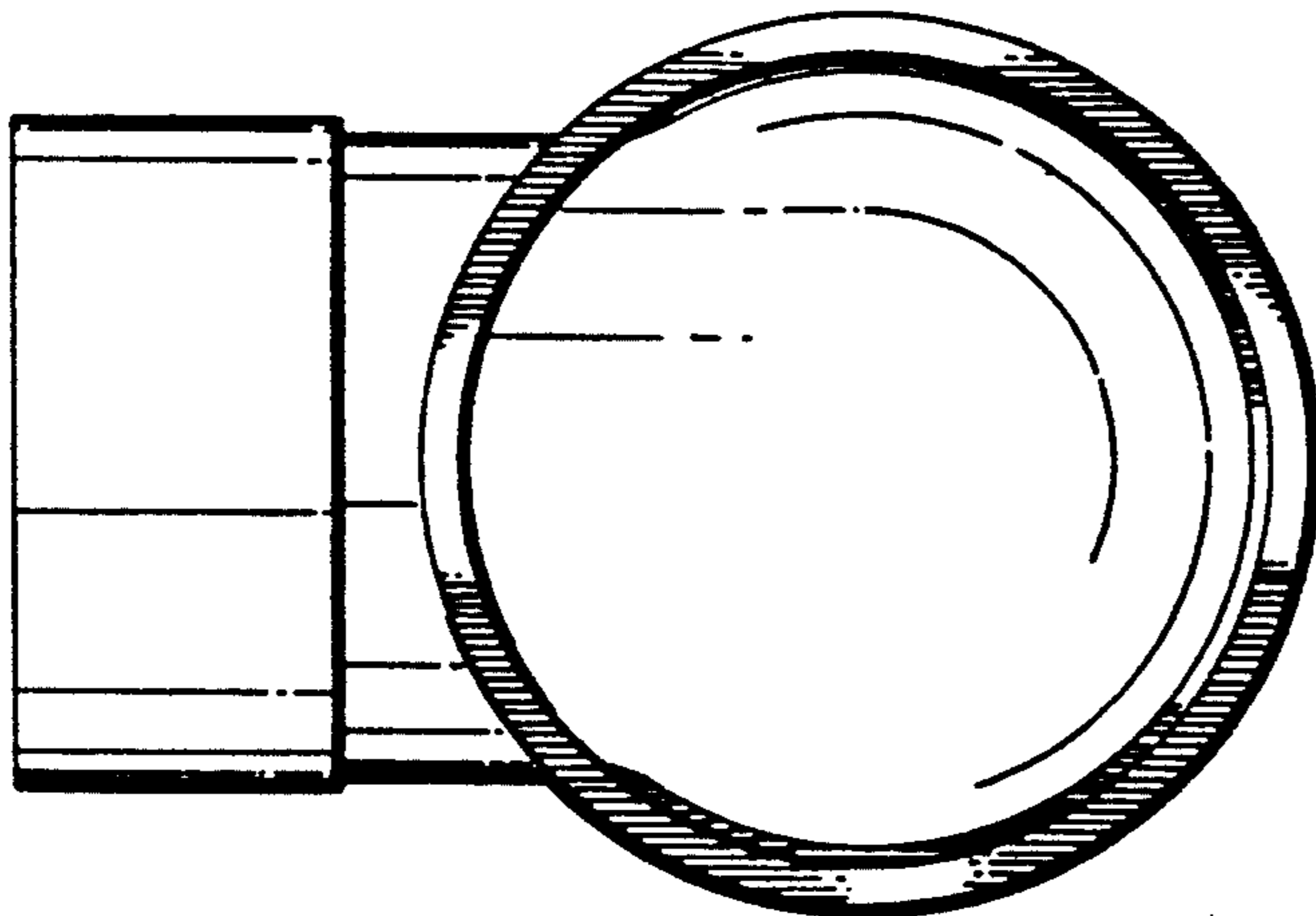


FIG. 4.

FIG. 3.

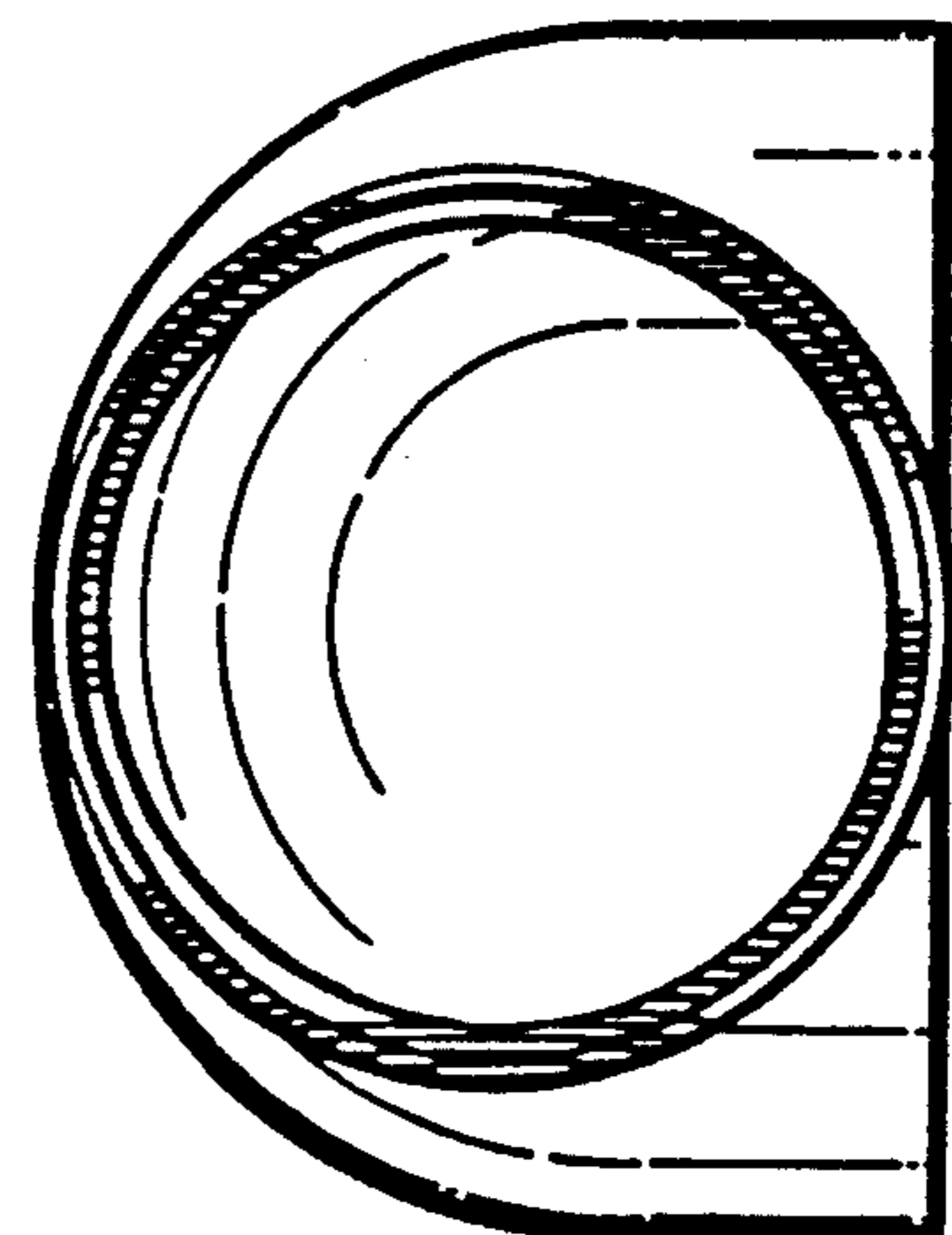
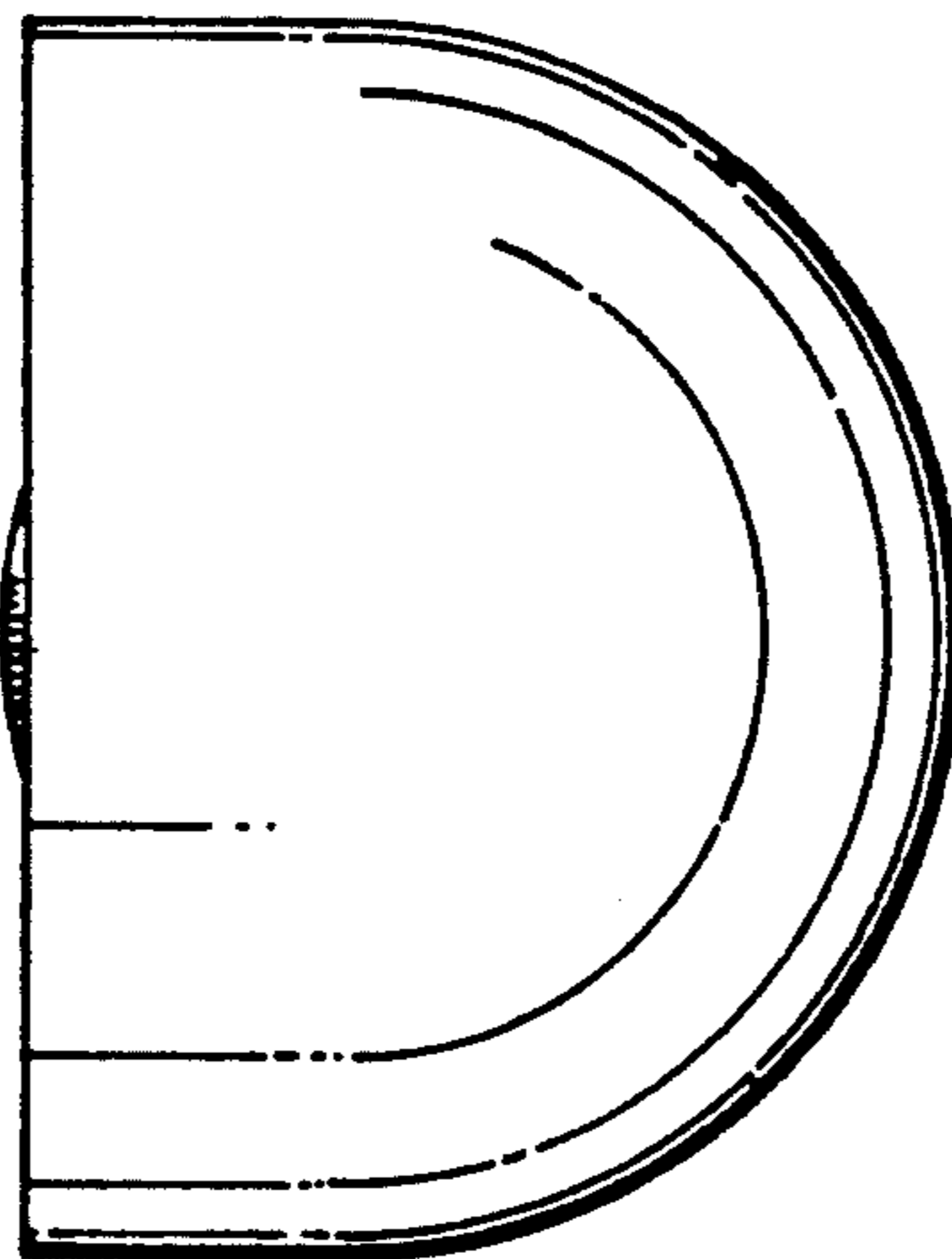


FIG. 5.

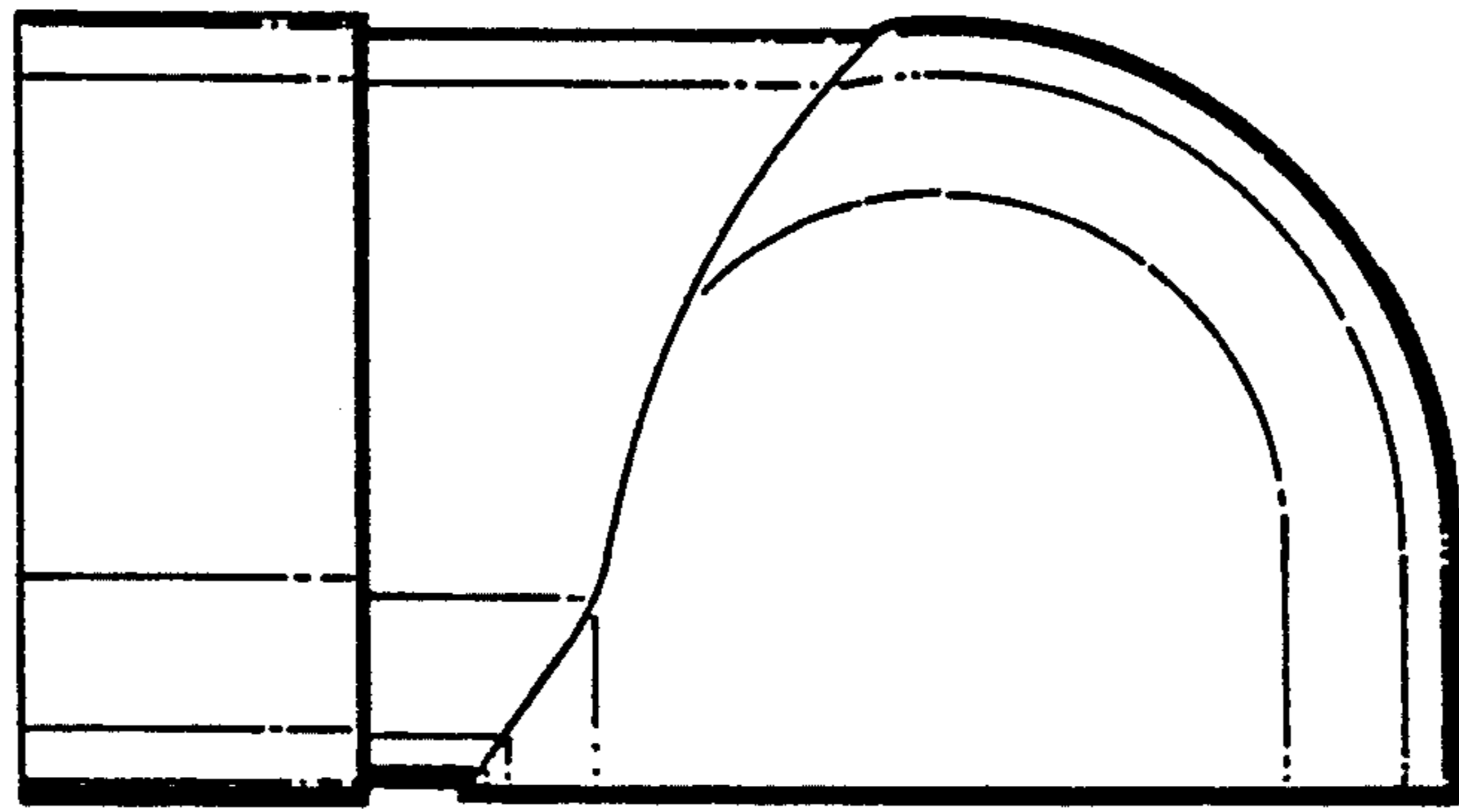


FIG. 6.

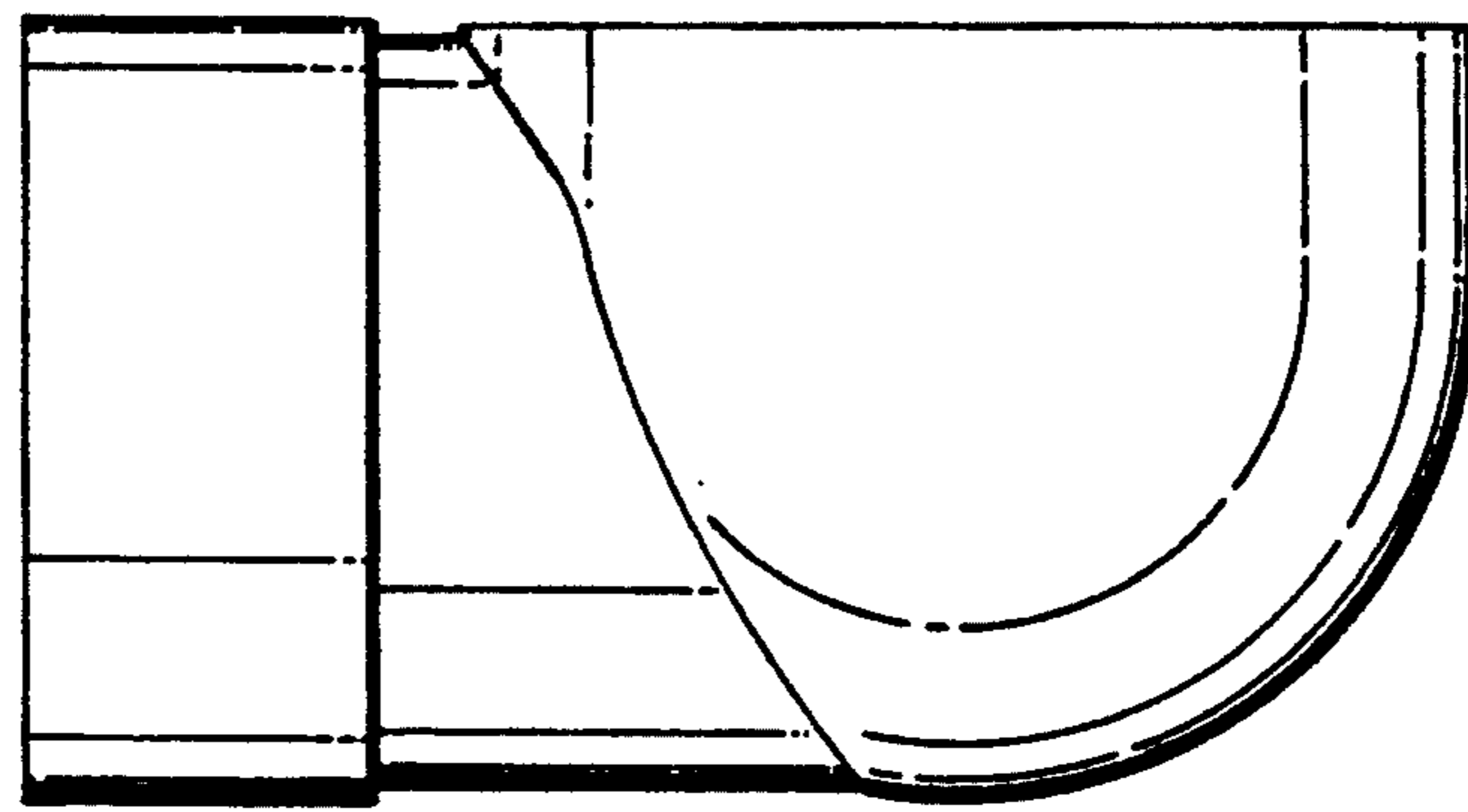


FIG. 7.

