



US00D345411S

United States Patent [19]

[11] Patent Number: **Des. 345,411**

Jernigan, Sr.

[45] Date of Patent: **** Mar. 22, 1994**

[54] **CHEMICAL DISPENSING LAWN WATERER**

4,333,493	6/1982	Beiswenger et al.	239/310 X
4,340,179	7/1982	Knapp	239/310
4,824,019	4/1989	Lew	239/201
4,846,403	7/1989	Mivelaz	239/201

[76] Inventor: **Billy T. Jernigan, Sr., 913 Swann Dr., Lakeland, Fla. 33809**

[**] Term: **14 Years**

Primary Examiner—Wallace R. Burke
Assistant Examiner—M. H. Tung
Attorney, Agent, or Firm—Terry M. Gernstein

[21] Appl. No.: **846,418**

[22] Filed: **Mar. 6, 1992**

[57] **CLAIM**

[52] U.S. Cl. **D23/207**

The ornamental design for a chemical dispensing lawn waterer, as shown and described.

[58] **Field of Search** 239/201, 309-310, 239/317-318, 302, 154, 375, 526, 583; 210/169, 205, 242.1, 416.2, 193, 198.1; 222/54, 56, 67, 82; 141/310, 330; D23/200, 207-208

DESCRIPTION

[56] **References Cited**

U.S. PATENT DOCUMENTS

D. 291,112	7/1987	Franco et al.	D23/207
D. 309,652	7/1990	Chalberg et al.	D23/207
3,618,539	11/1971	Daniels	239/310 X
3,770,205	11/1973	Proctor et al.	239/317
3,833,177	9/1974	Pasley	239/201

FIG. 1 is a perspective view of the chemical dispensing lawn waterer embodying the design of the present invention;

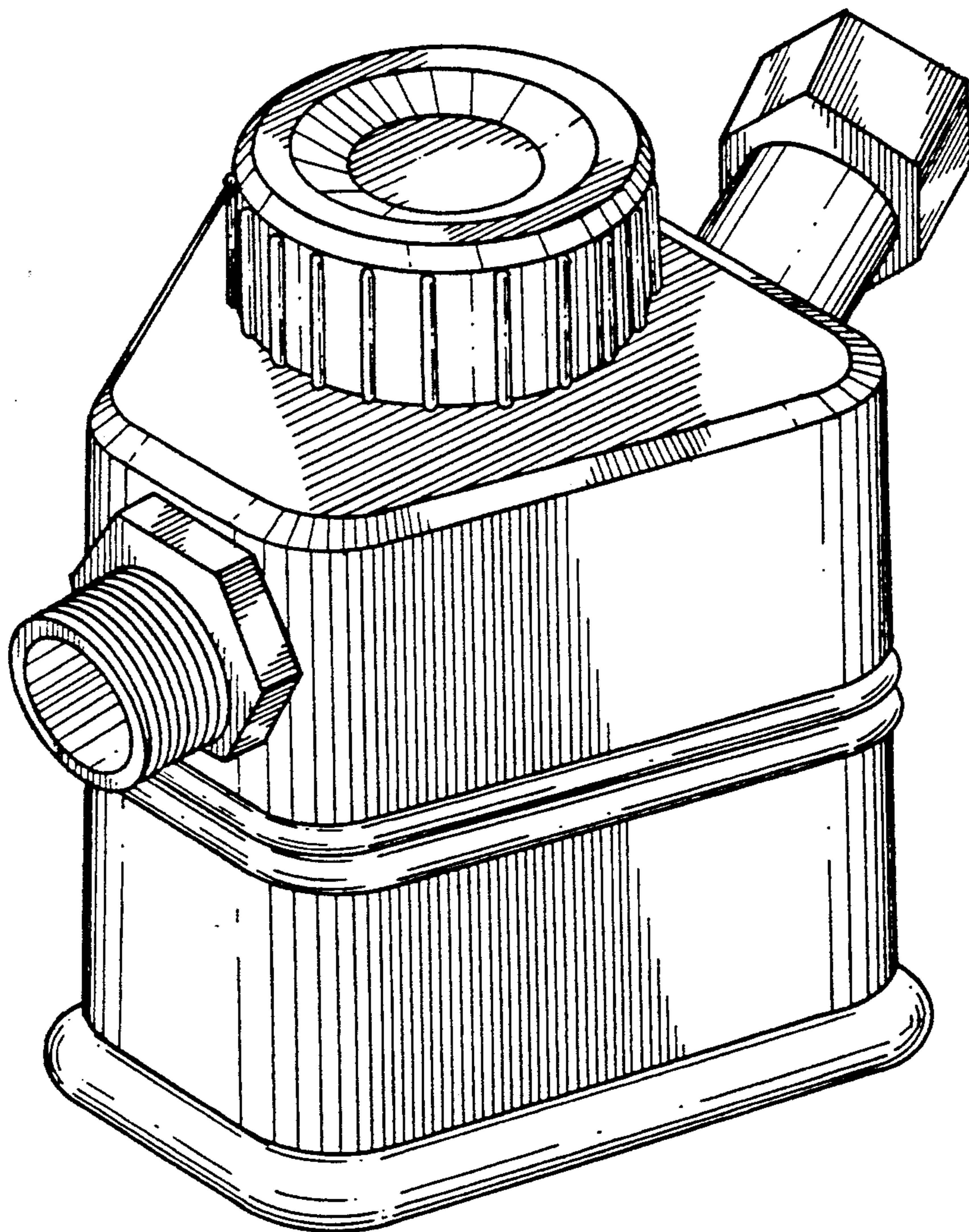
FIG. 2 is a front elevational view thereof;

FIG. 3 is a rear elevational view thereof;

FIG. 4 is a side elevational view thereof, the side opposite being a mirror image of the side shown in FIG. 4;

FIG. 5 is a top plan view thereof; and,

FIG. 6 is a bottom view thereof.



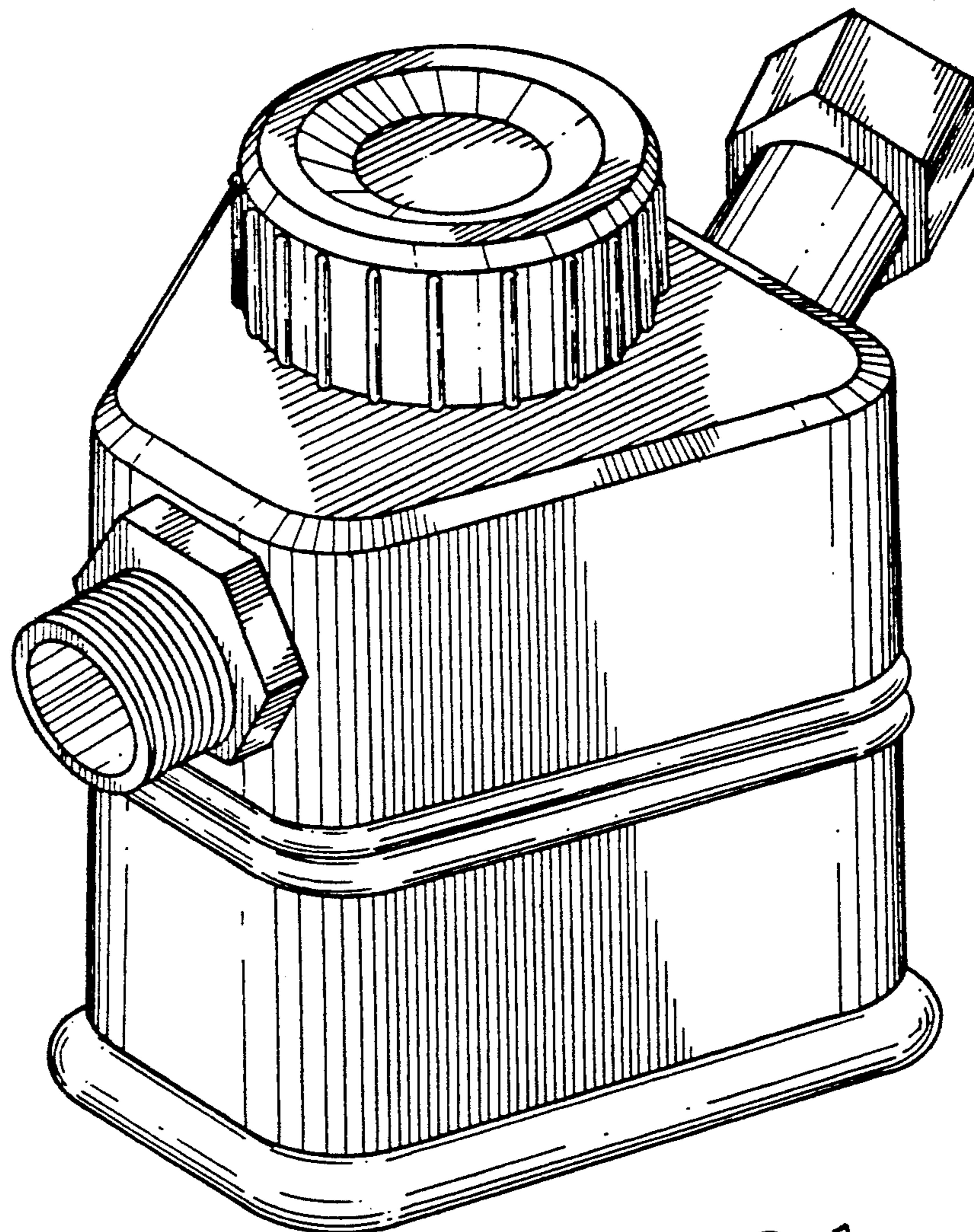


FIG. 1.

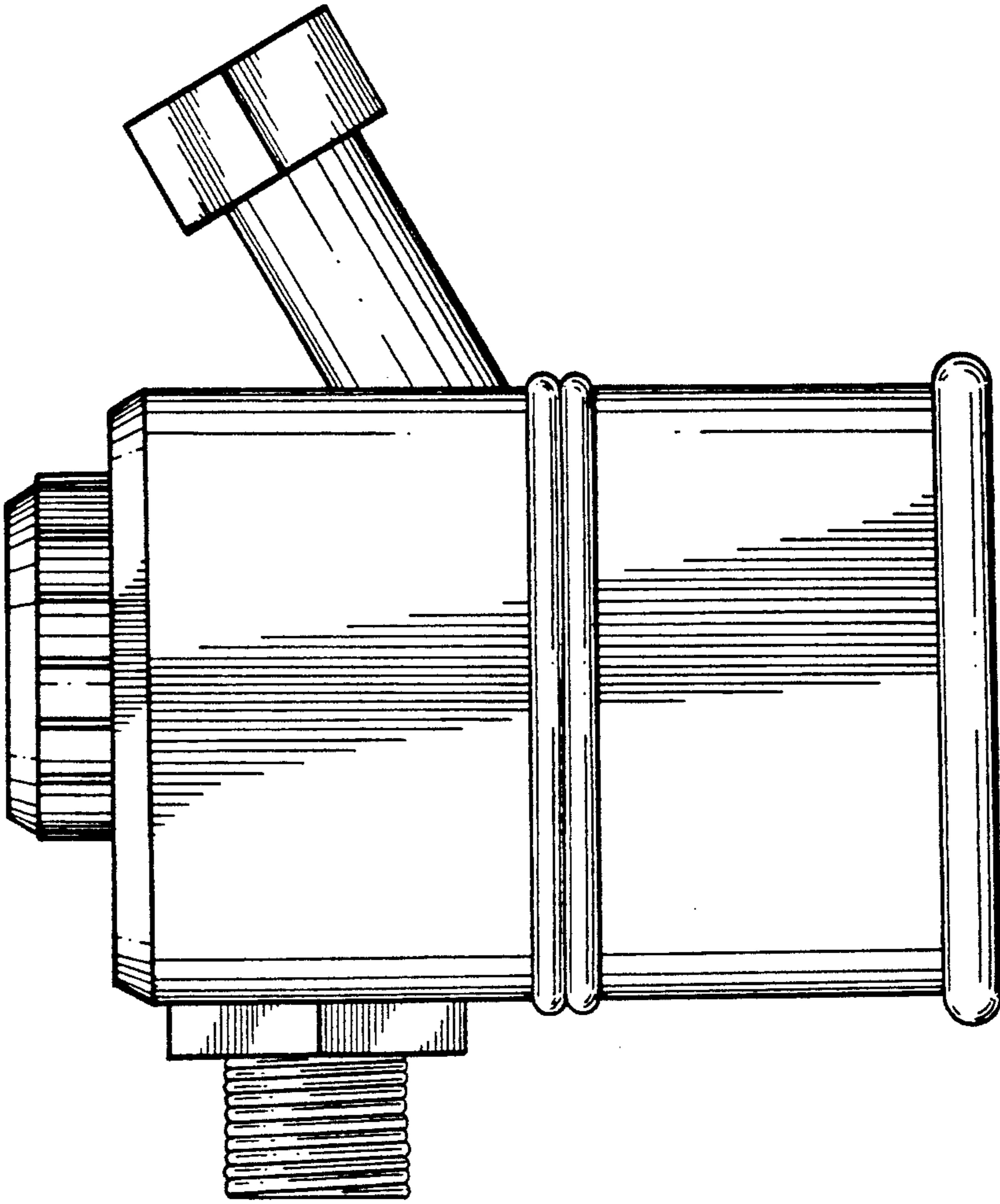


FIG. 4.

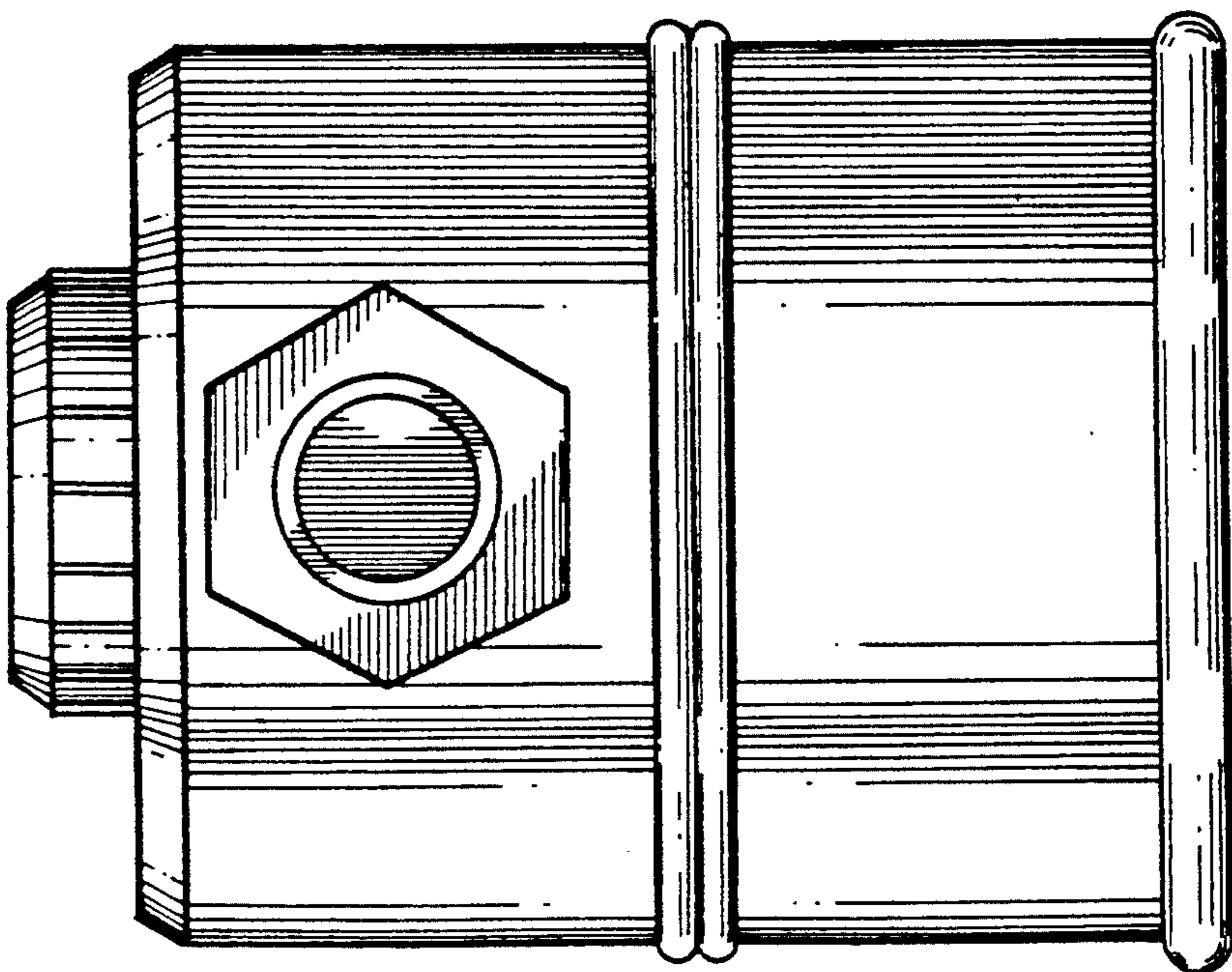


FIG. 2.

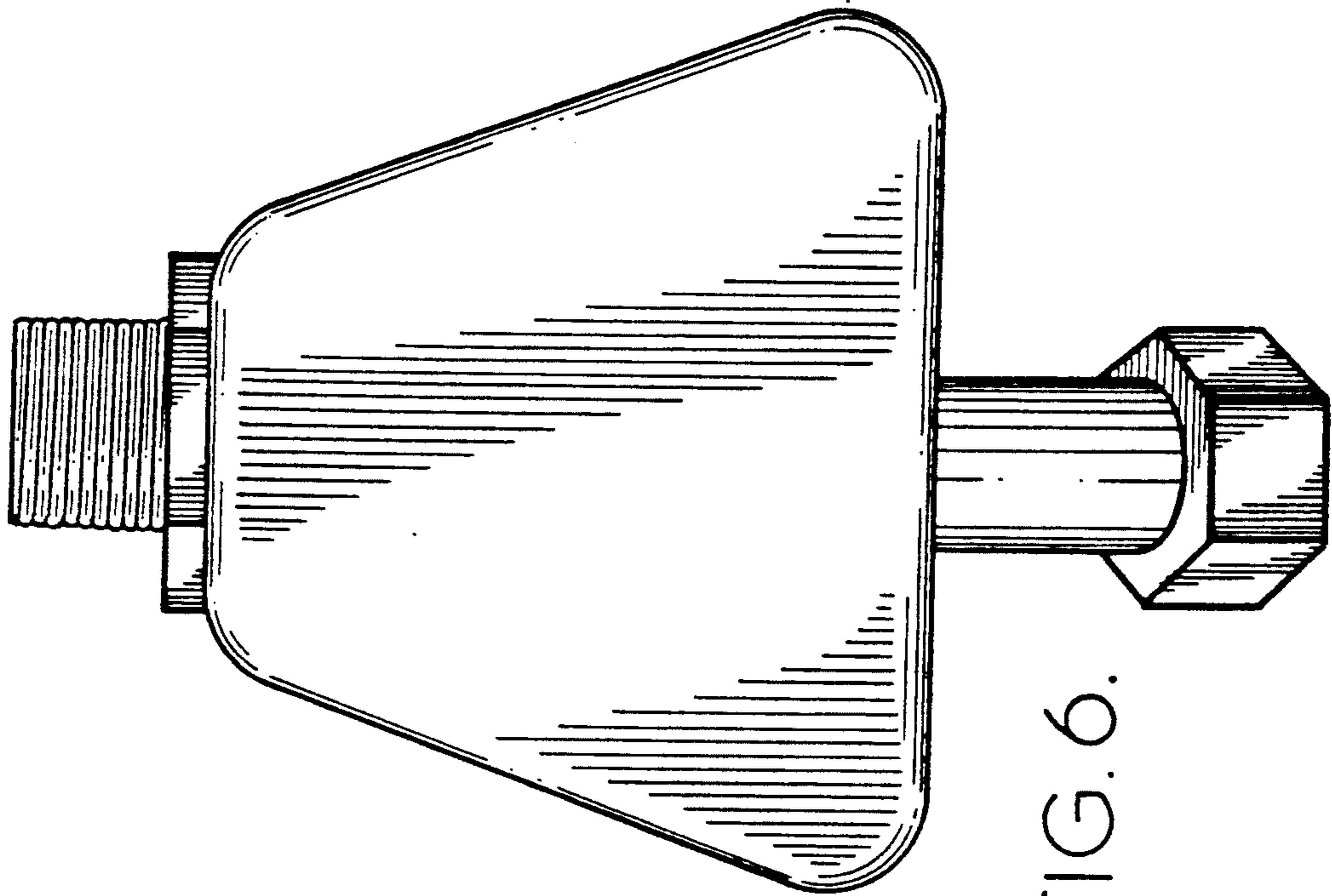


FIG. 6.

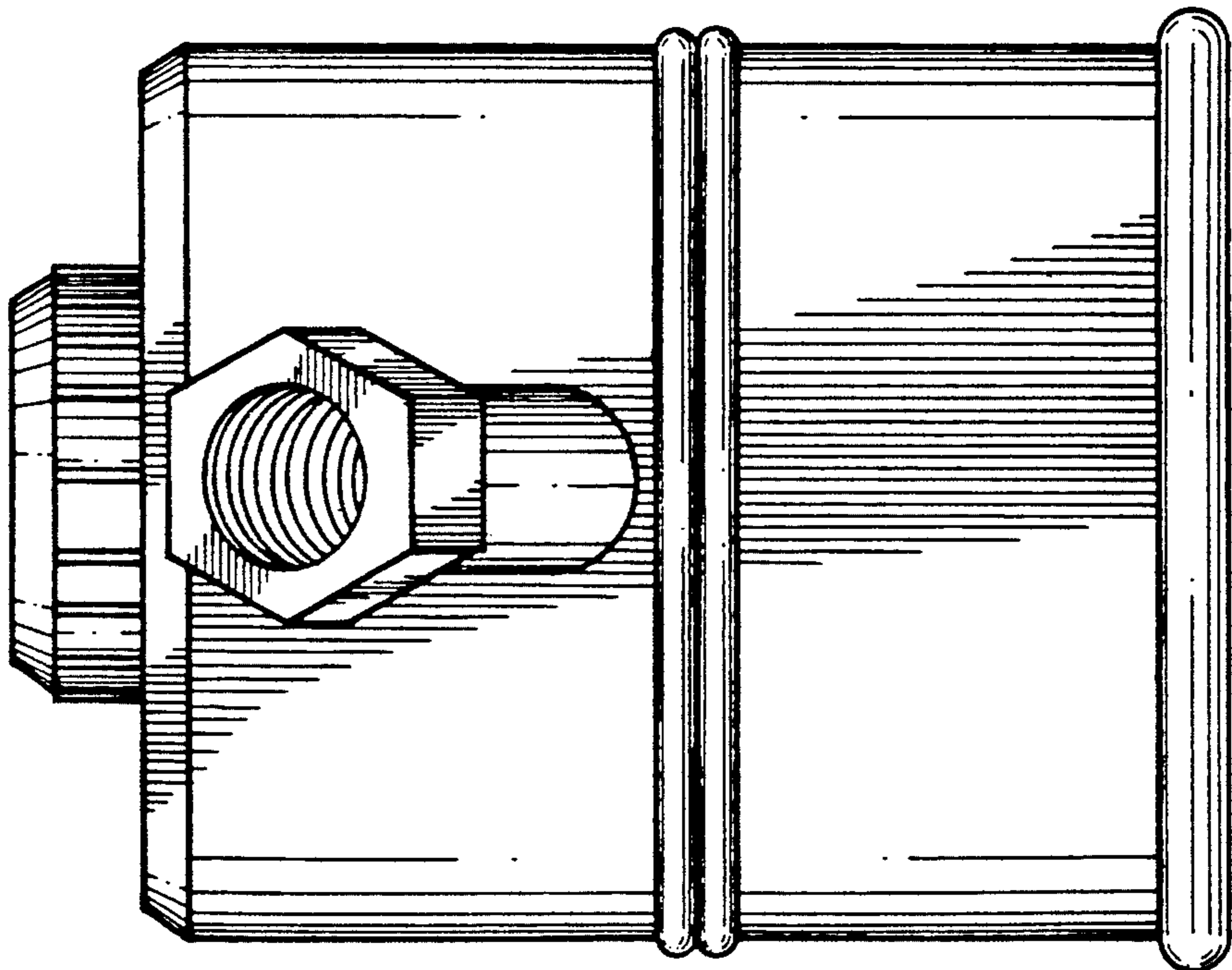


FIG. 3.

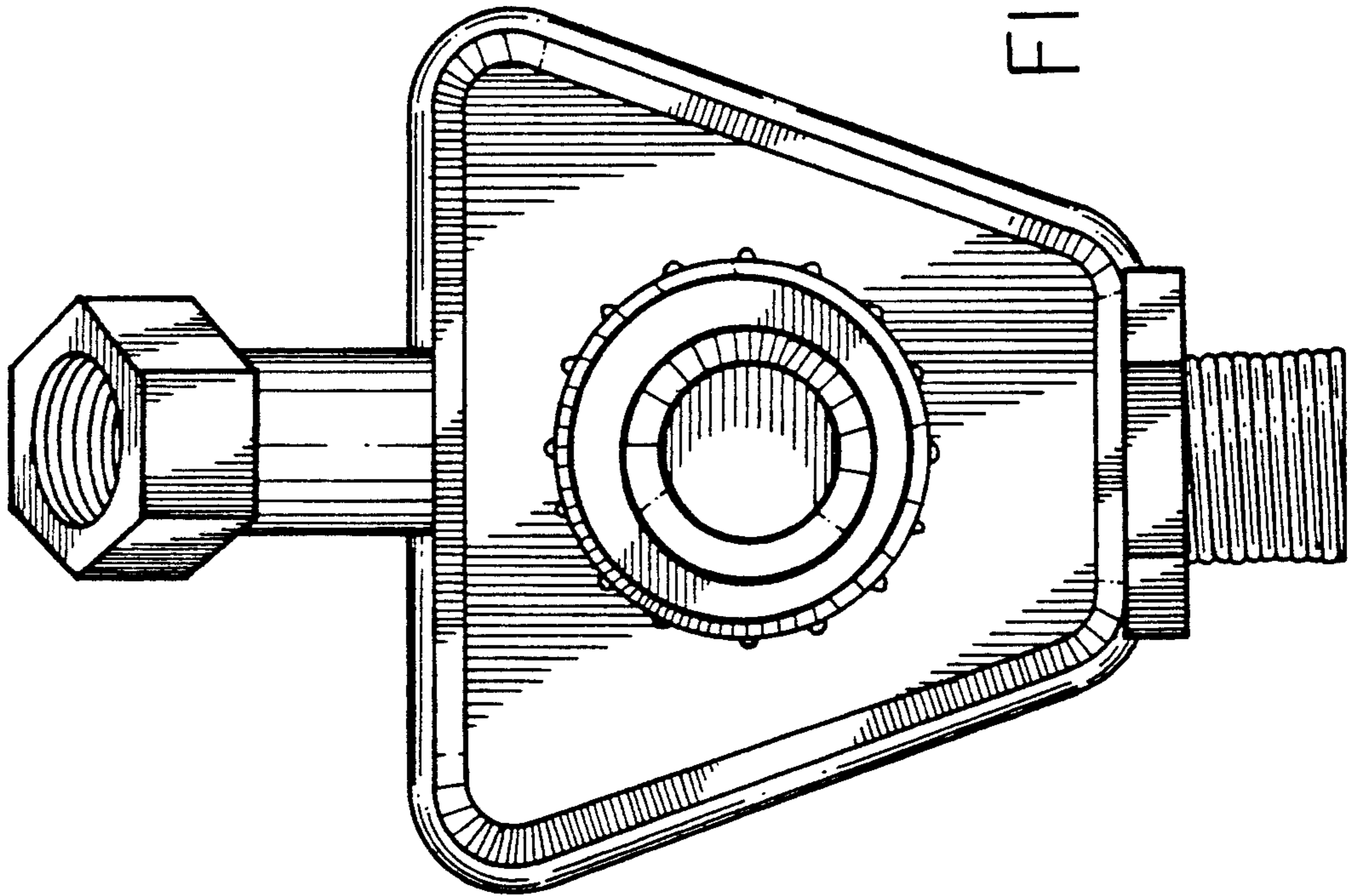


FIG. 5.