



US00D345407S

United States Patent [19] Ruger

[11] Patent Number: Des. 345,407
[45] Date of Patent: ** Mar. 22, 1994

[54] COMPACT PISTOL
[76] Inventor: William B. Ruger, Croydon
Turnpike, Croydon, N.H. 03773
[**] Term: 14 Years
[21] Appl. No.: 880,319
[22] Filed: May 6, 1992
[52] U.S. Cl. D22/104
[58] Field of Search 42/59, 78-79,
42/75.02, 75.03; D22/104, 108

4,742,634 5/1988 Swenson 42/71.02
4,800,665 1/1989 Schumaker 42/71.02

Primary Examiner—A. Hugo Word
Assistant Examiner—R. Seifert

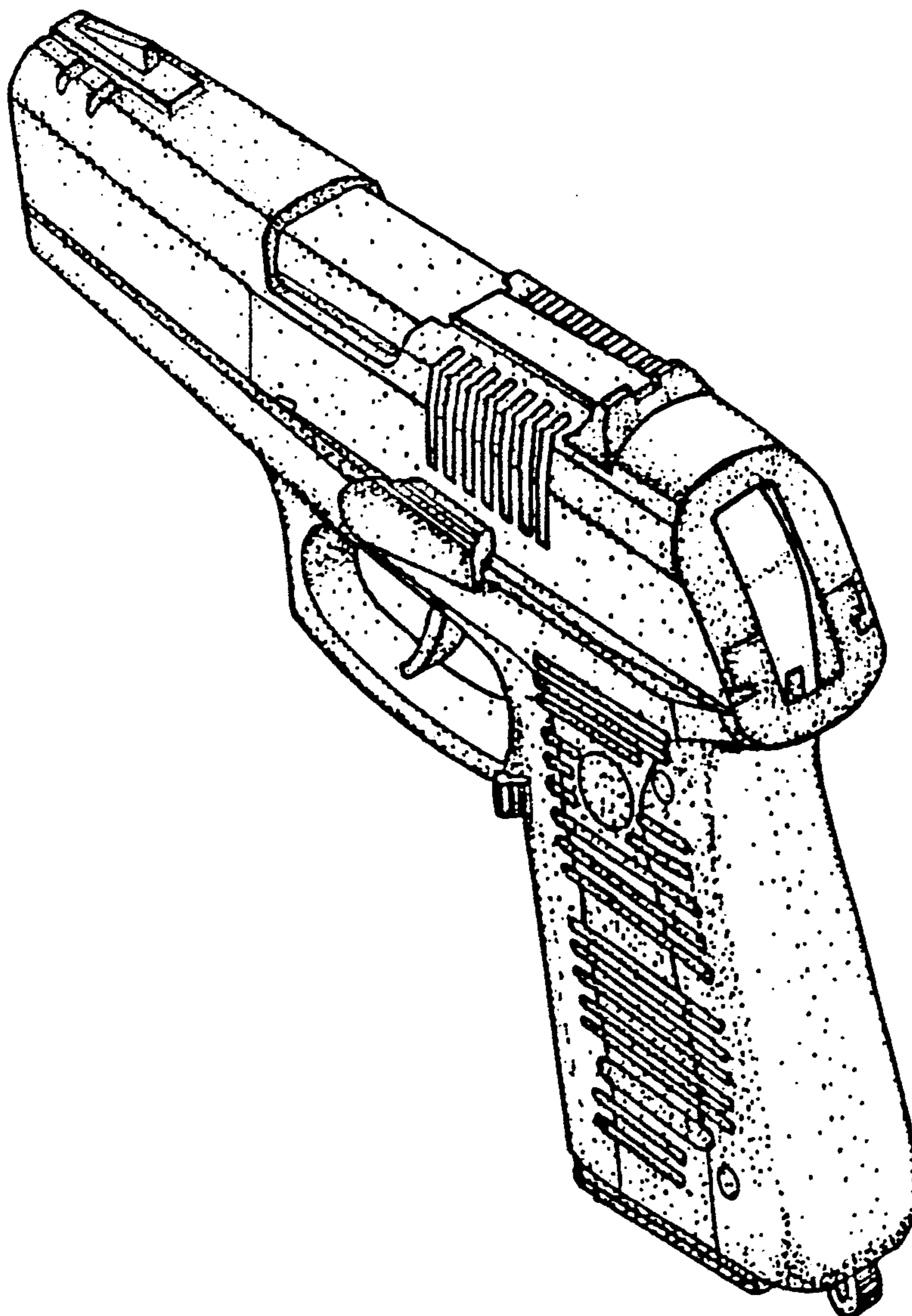
[57] CLAIM

The ornamental design for a compact pistol, as shown and described.

DESCRIPTION

FIG. 1 is a perspective view of the compact pistol of the present invention;
FIG. 2 is a right side elevational view thereof;
FIG. 3 is a left side elevational view thereof;
FIG. 4 is a bottom view thereof;
FIG. 5 is a plan view thereof;
FIG. 6 is a front view thereof; and,
FIG. 7 is a rear view thereof.

[56] References Cited
U.S. PATENT DOCUMENTS
D. 293,357 12/1987 Ruger et al. D22/108
3,159,086 12/1964 Freed D22/108
3,901,125 8/1975 Raville 42/71.02
4,549,465 10/1985 Charron D22/104



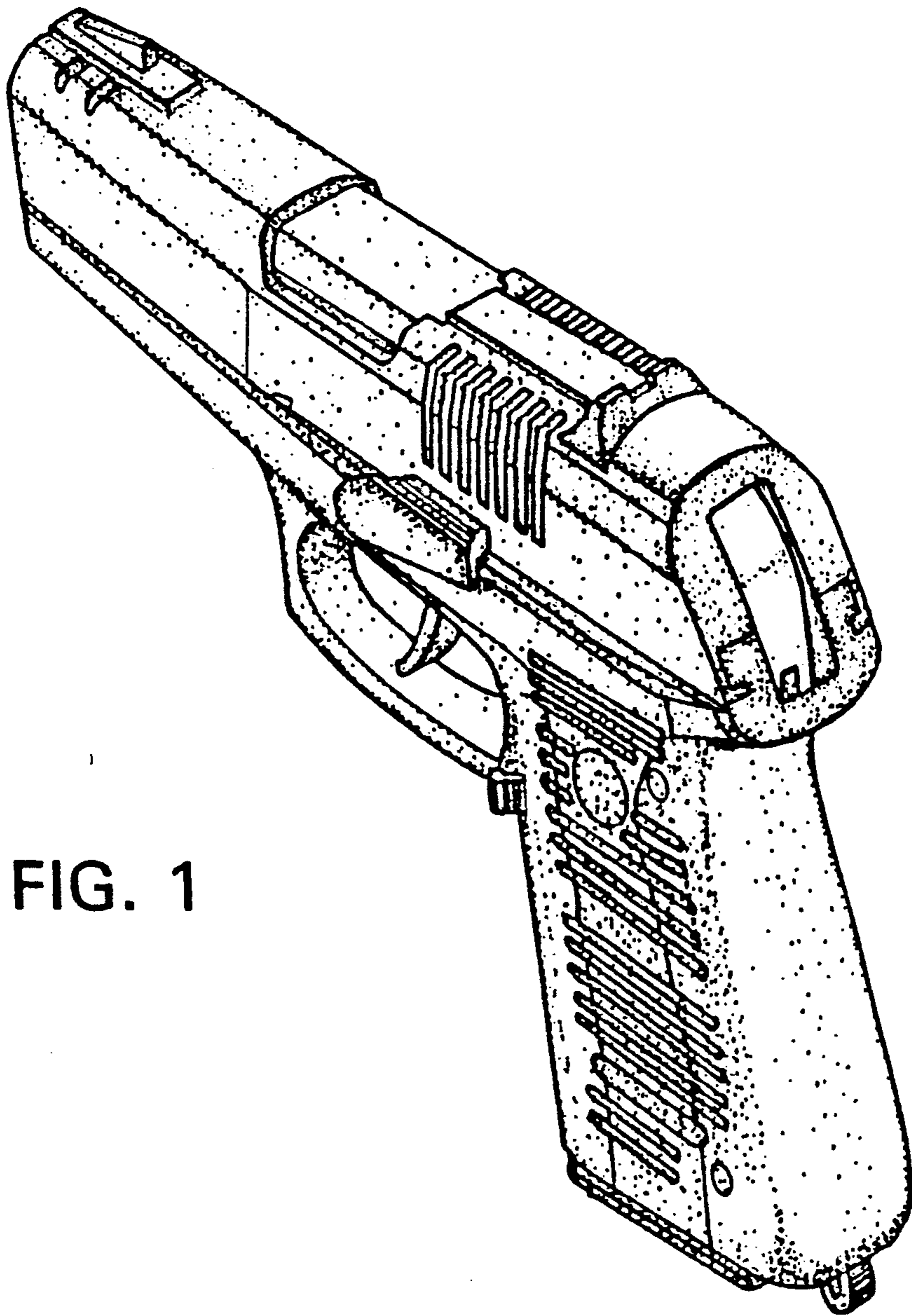


FIG. 1

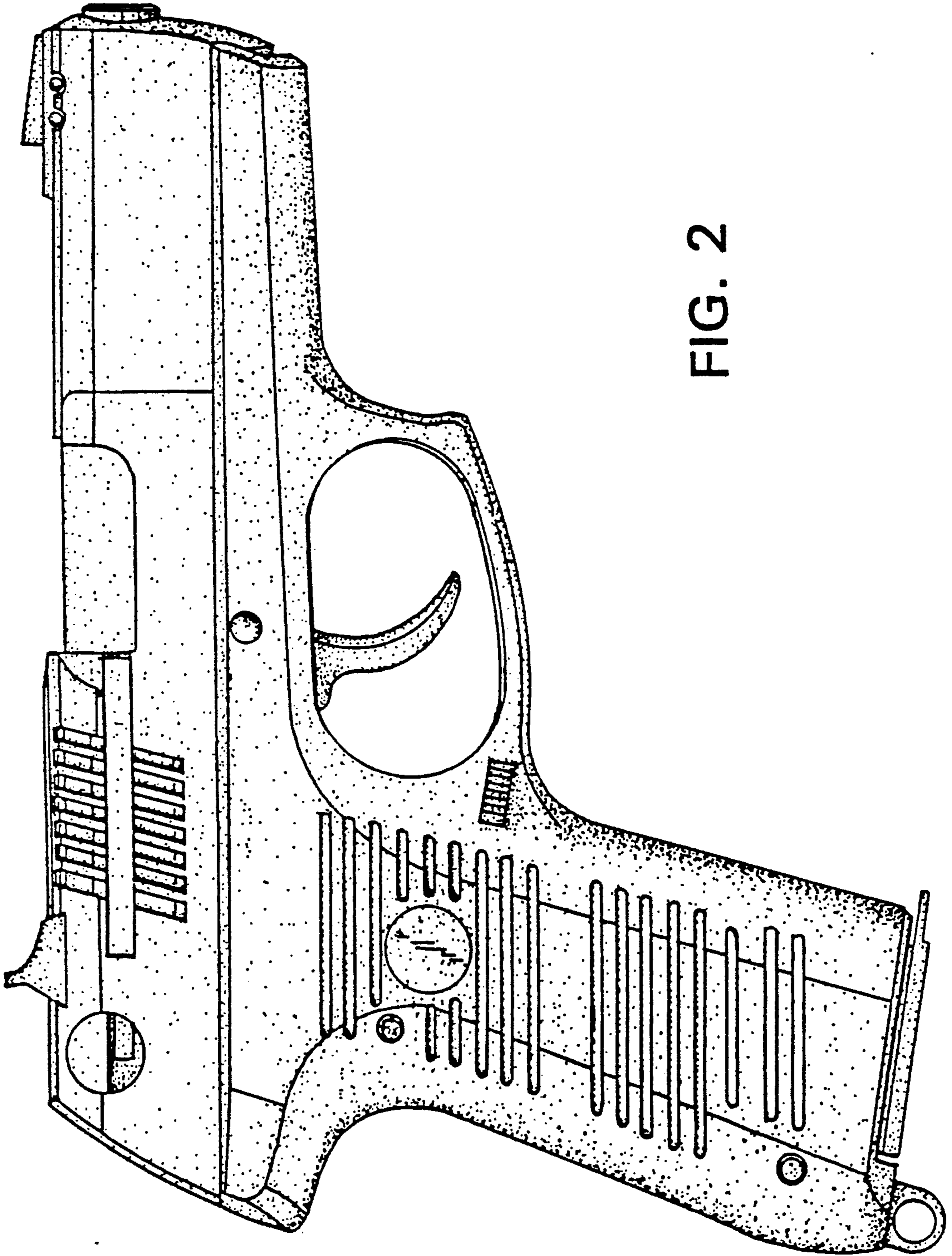


FIG. 2

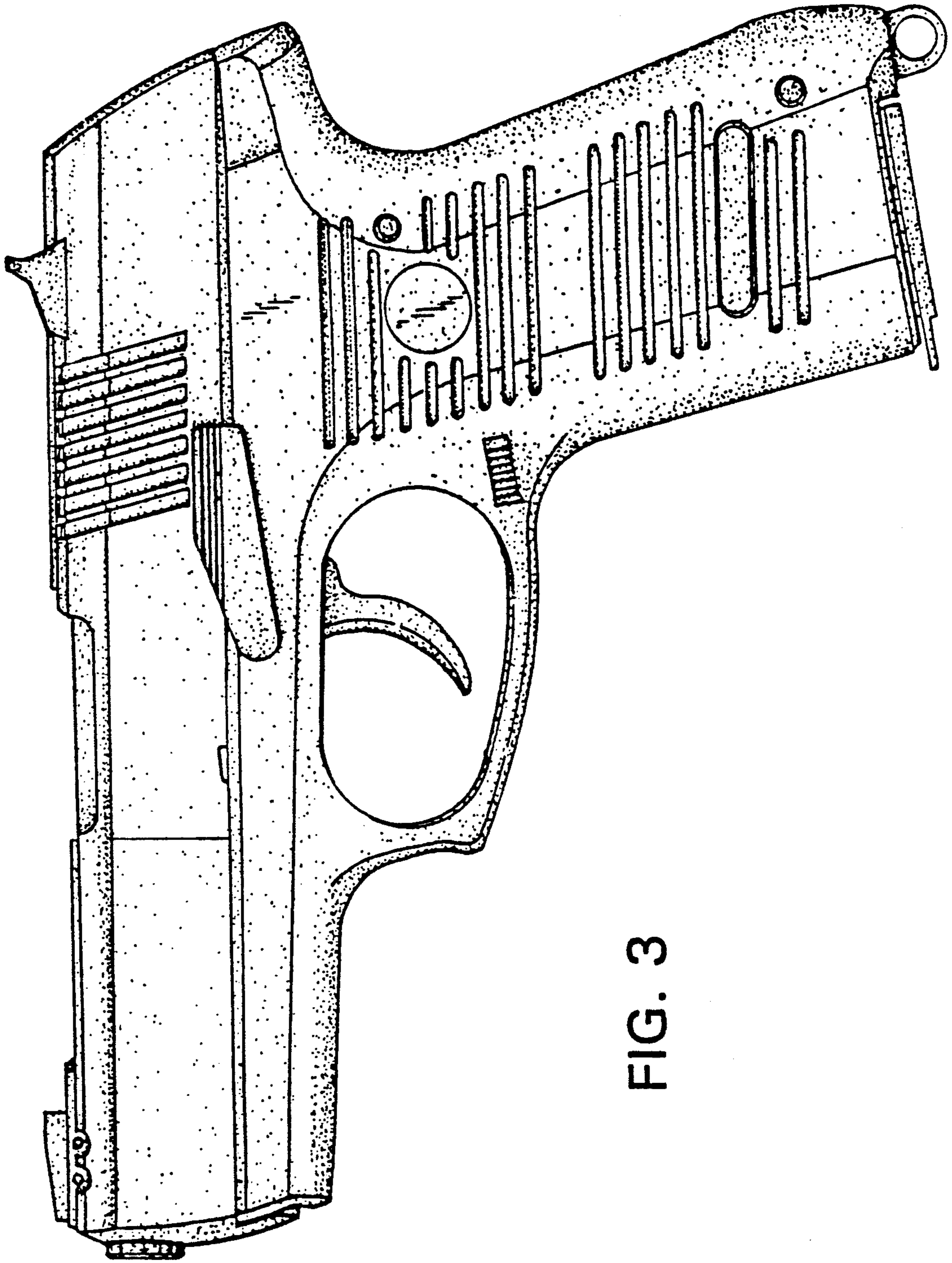


FIG. 3

FIG. 4

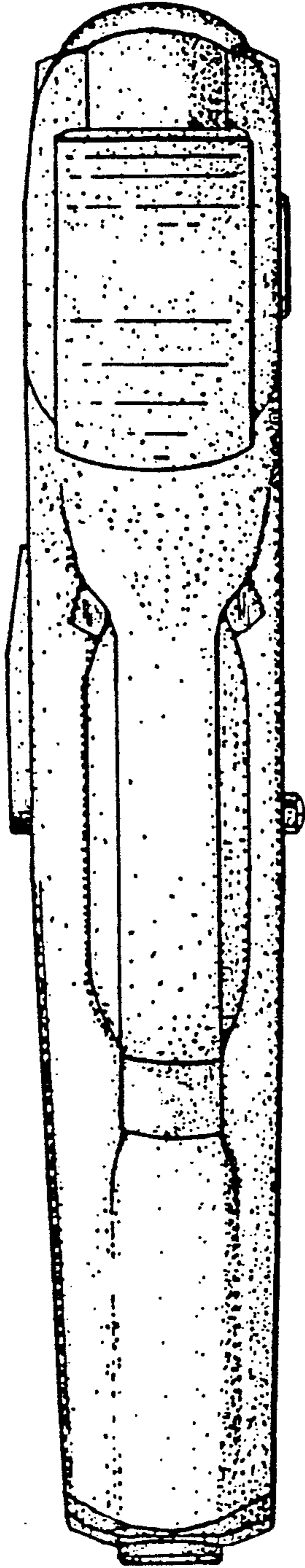
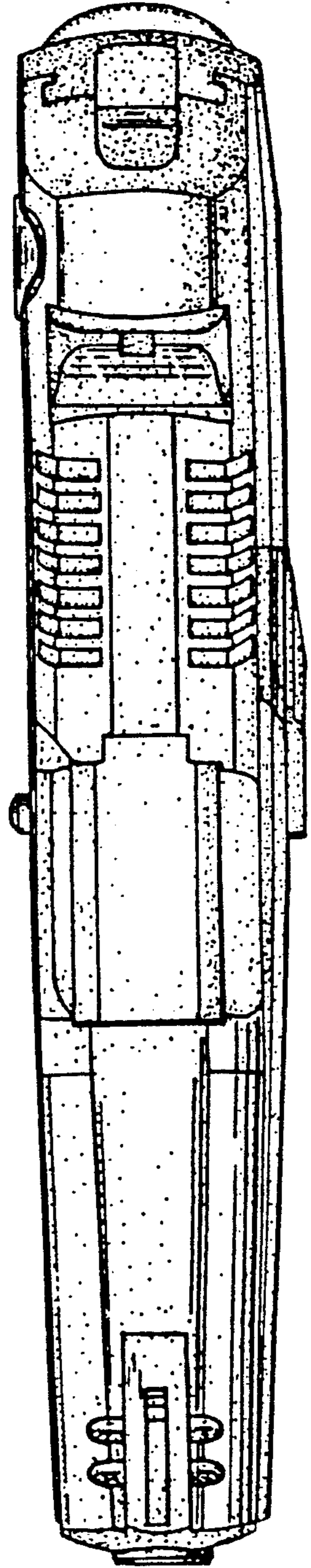


FIG. 5



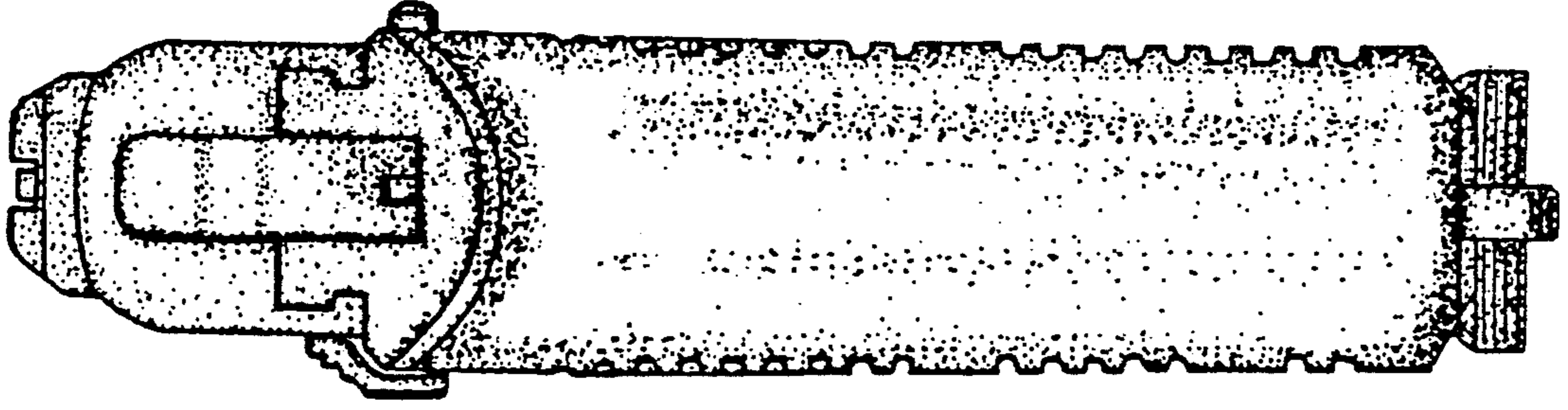


FIG. 7

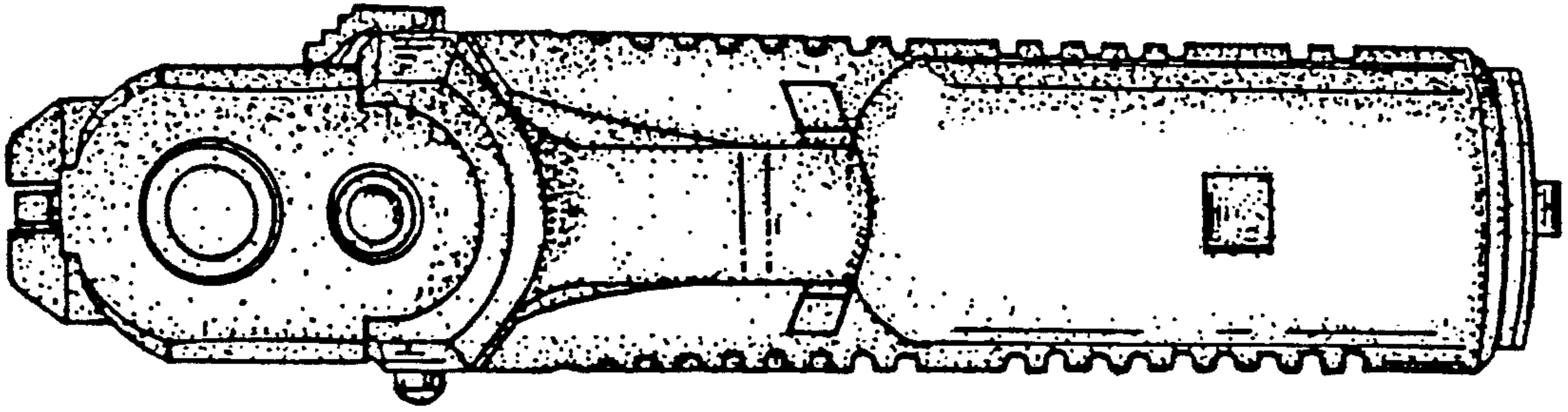


FIG. 6

UNITED STATES PATENT AND TRADEMARK OFFICE
CERTIFICATE OF CORRECTION

PATENT NO. : Des. 345,407
DATED : March 22, 1994
INVENTOR(S) : William B. Ruger

It is certified that error appears in the above-identified patent and that said Letters Patent is hereby corrected as shown below:

On the Title page, item [73], Assignee: should be -- STURM, RUGER &
COMPANY, INC., South
Connecticut--.

Signed and Sealed this
Ninth Day of August, 1994



BRUCE LEHMAN

Commissioner of Patents and Trademarks

Attest:

Attesting Officer