



US00D345406S

United States Patent [19]

[11] Patent Number: **Des. 345,406**

Shankland et al.

[45] Date of Patent: **** Mar. 22, 1994**

[54] SKATEBOARD FOR SIMULATING SURFING

3,827,706	8/1974	Milliman	280/11.1 BT
4,029,330	6/1977	Runyan, Jr.	280/87.04 A
4,143,728	3/1979	Shiber	180/1 G
4,289,325	9/1981	Whitacre	280/87.04 A

[76] Inventors: **Scott Shankland; Timothy Oates,**
both of 763-b Foothill #263, San
Luis Obispo, Calif. 93405

[**] Term: **14 Years**

[21] Appl. No.: **920,150**

[22] Filed: **Jul. 23, 1992**

[52] U.S. Cl. **D21/227**

[58] Field of Search 280/87.041, 87.042,
280/11.2, 11.18, 7.12, 7.14; 446/431; D21/224,
225, 227, 228, 236; D12/6, 11

[56] **References Cited**

U.S. PATENT DOCUMENTS

D. 213,928	4/1969	Mooneyhan	D21/228
D. 221,262	7/1971	Marshall	D21/228
D. 242,735	12/1976	Candler	D34/15 AJ
D. 243,206	1/1977	Sherwood	D21/227
D. 246,065	10/1977	Saul	D21/227
3,137,873	6/1964	Garrolini	D21/228
3,235,282	2/1966	Bostick	280/87.04
3,771,811	11/1973	Bueno	280/87.04 A

OTHER PUBLICATIONS

"Playthings" Feb. 1976 p. 184.

"Skateboarder" Aug. 1878, p. 155.

Primary Examiner—Bernard Ansher

Assistant Examiner—R. Barkai

Attorney, Agent, or Firm—Macro Search

[57] **CLAIM**

The ornamental design for a skateboard for simulating surfing, as shown and described.

DESCRIPTION

FIG. 1 is a perspective view of the invention;

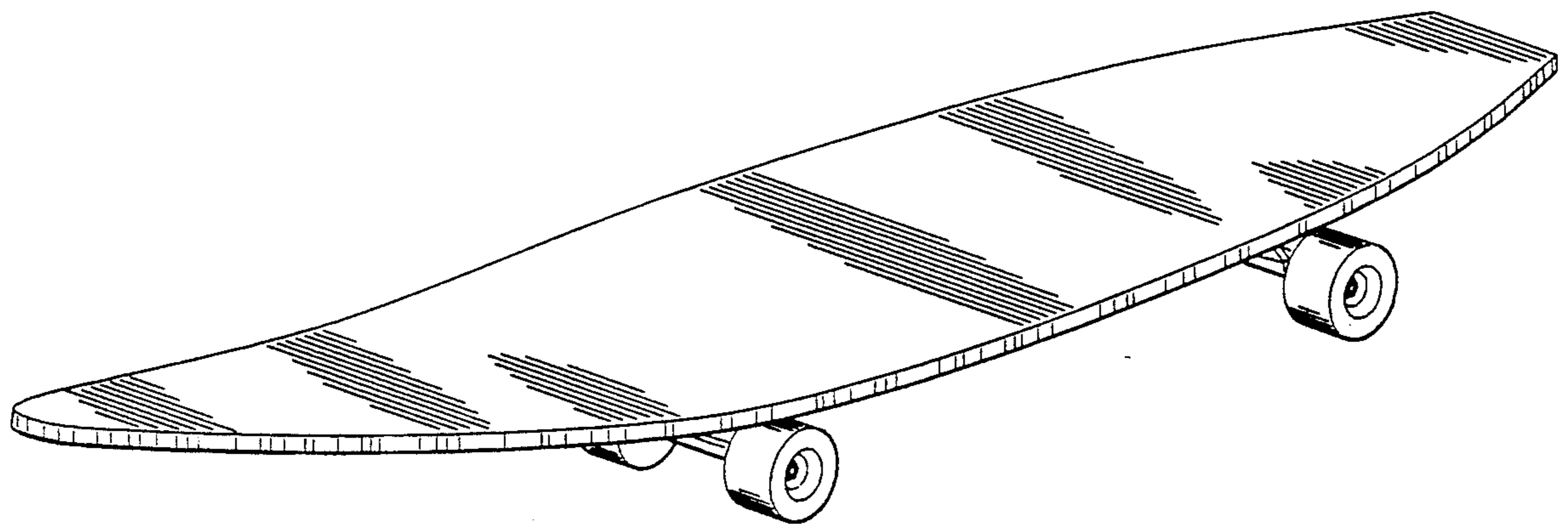
FIG. 2 is a top plan view of the invention;

FIG. 3 is a bottom plan view of the invention;

FIG. 4 is a left side elevation view of the invention, the right side elevation view being a mirror image thereof;

FIG. 5 is a front elevation view of the invention; and,

FIG. 6 is a rear elevation view of the invention.



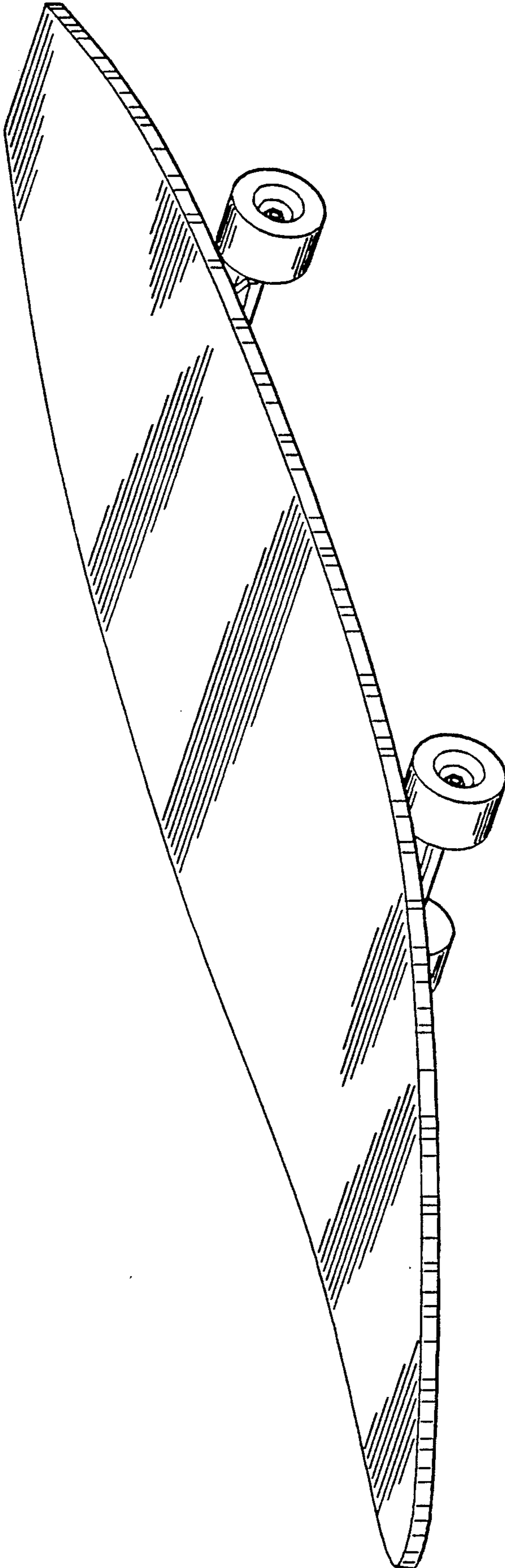


FIG 1

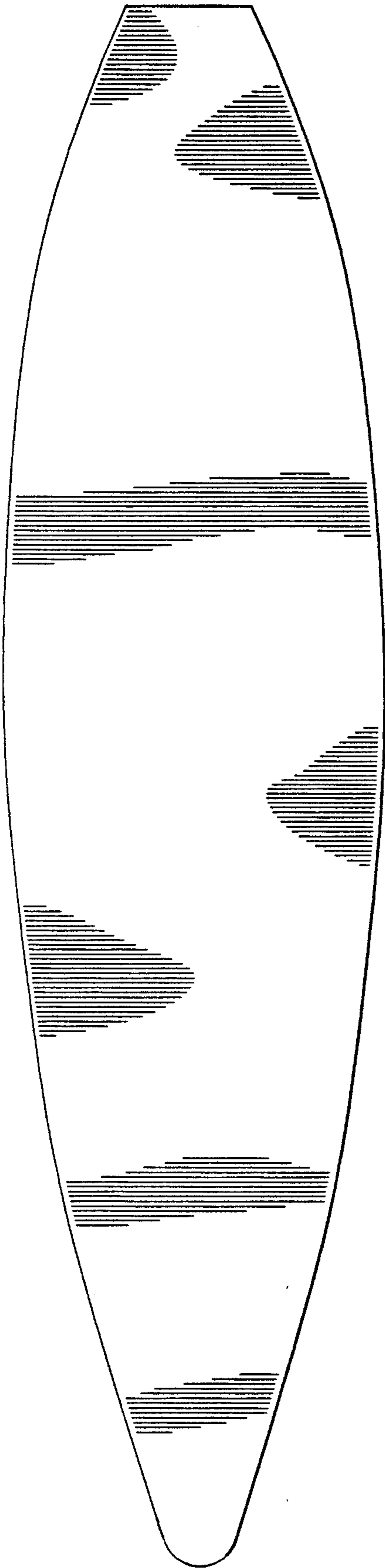


FIG 2

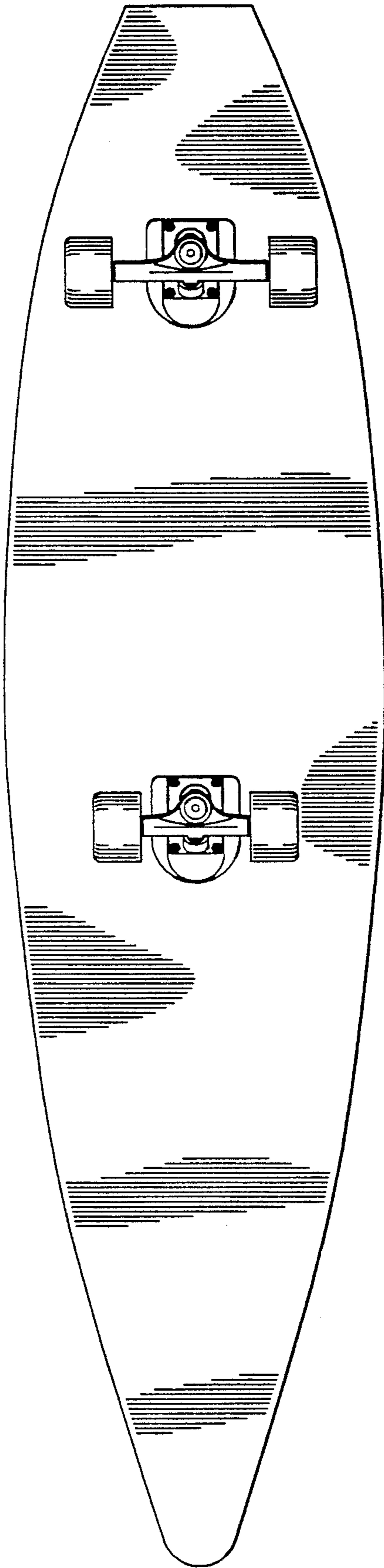


FIG 3

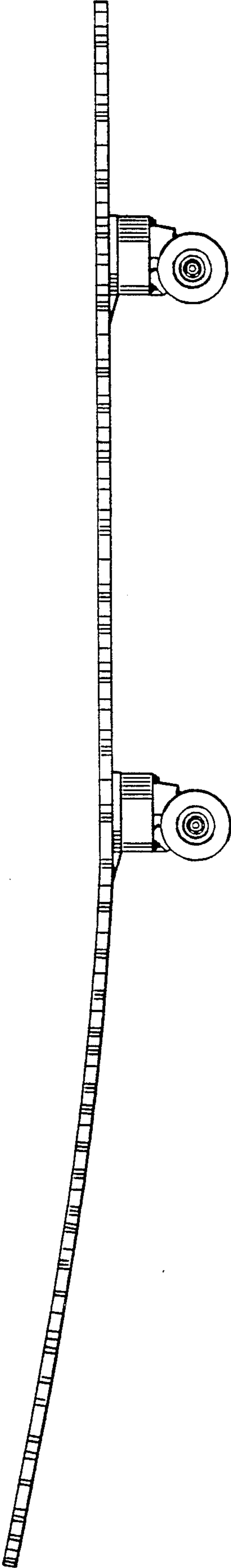


FIG 4

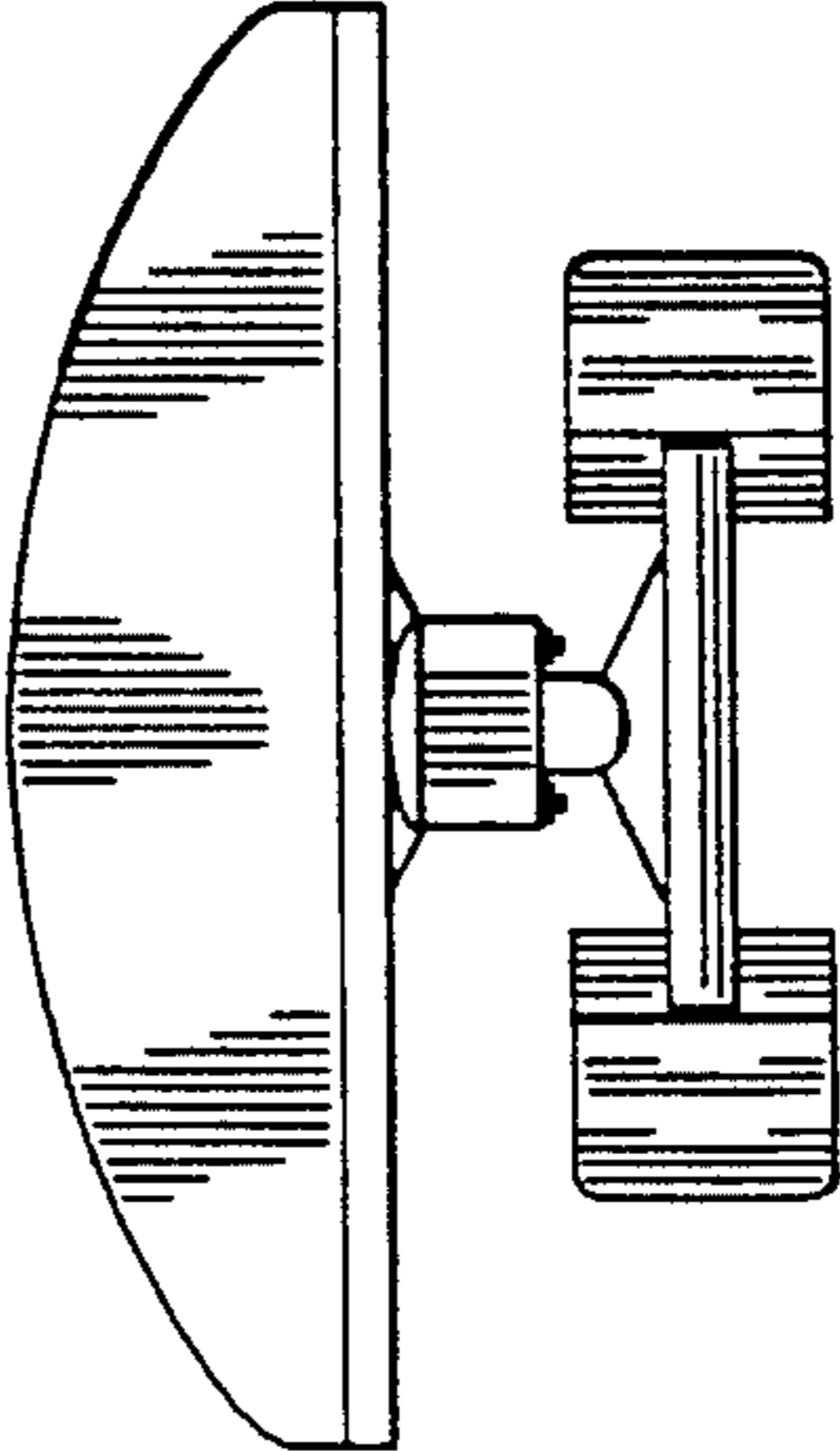


FIG 6

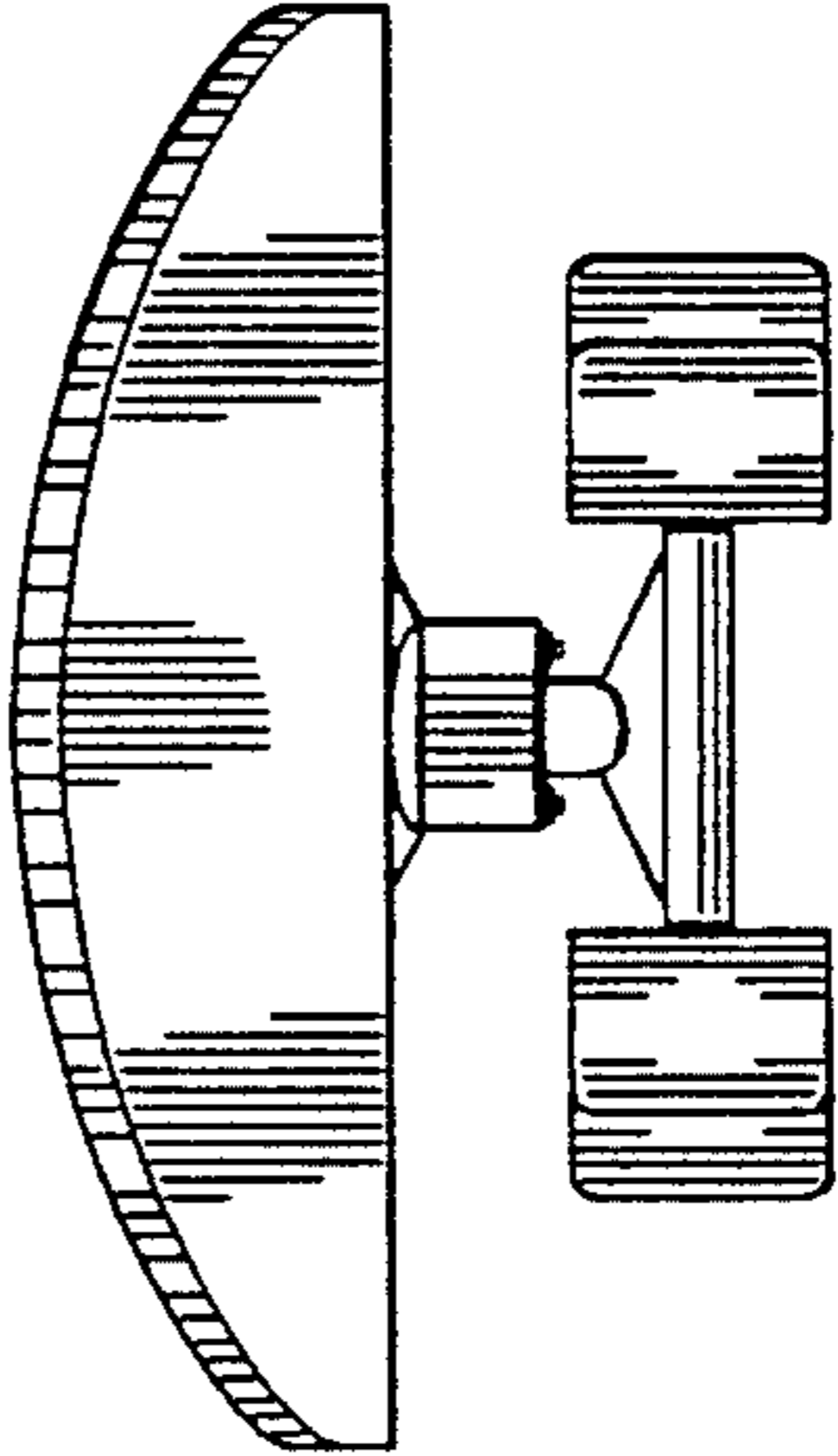


FIG 5