



US00D345404S

United States Patent [19]

[11] Patent Number: **Des. 345,404**

Meeks

[45] Date of Patent: **** Mar. 22, 1994**

[54] **GOLF PUTTER HEAD**

[75] Inventor: **Donnie R. Meeks, Macon, Ga.**

[73] Assignee: **Overspin Golf, Inc., Savannah, Ga.**

[**] Term: **14 Years**

[21] Appl. No.: **898,738**

[22] Filed: **Jun. 15, 1992**

[52] U.S. Cl. **D21/219**

[58] Field of Search **273/164.1, 167-175;
D21/214-220**

[56] **References Cited**

U.S. PATENT DOCUMENTS

- D. 239,186 3/1976 Meissler D21/217
- D. 302,285 7/1989 MacFarlane D21/217

OTHER PUBLICATIONS

Golf World, Jun. 27, 1986, p. "F" of Pro Report, middle right, Titleist putter.

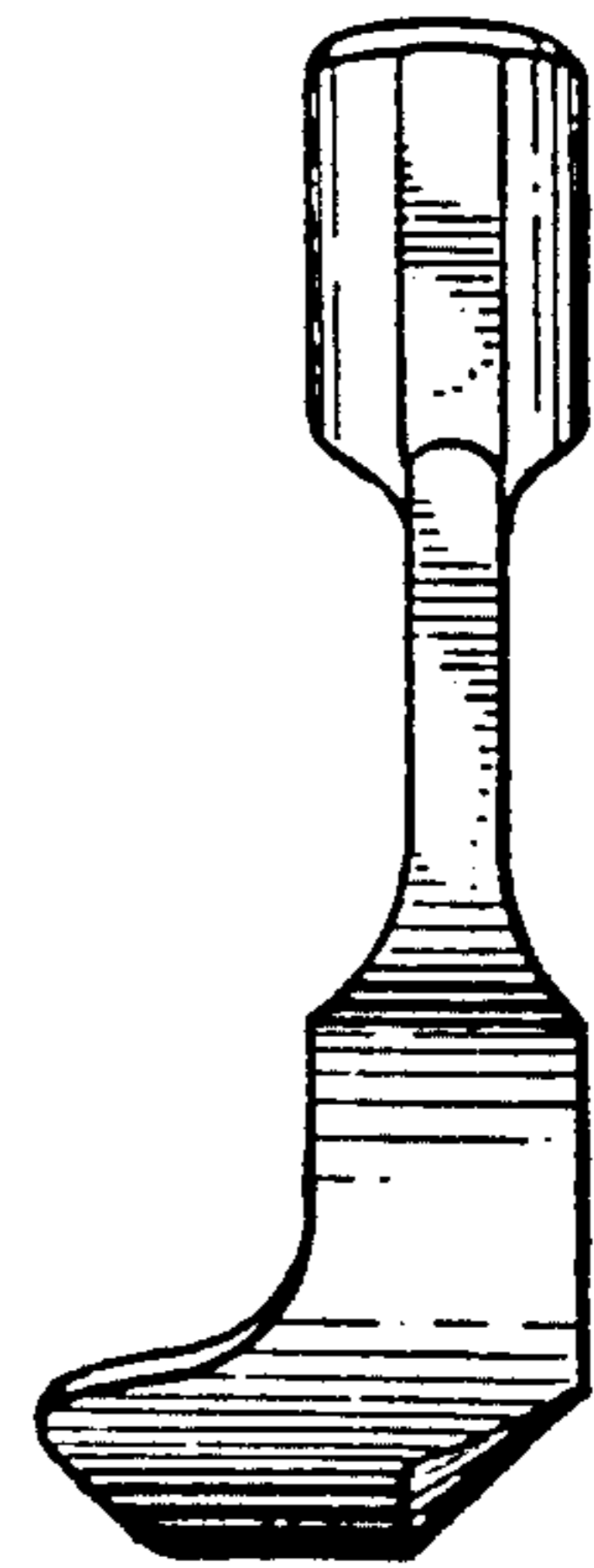
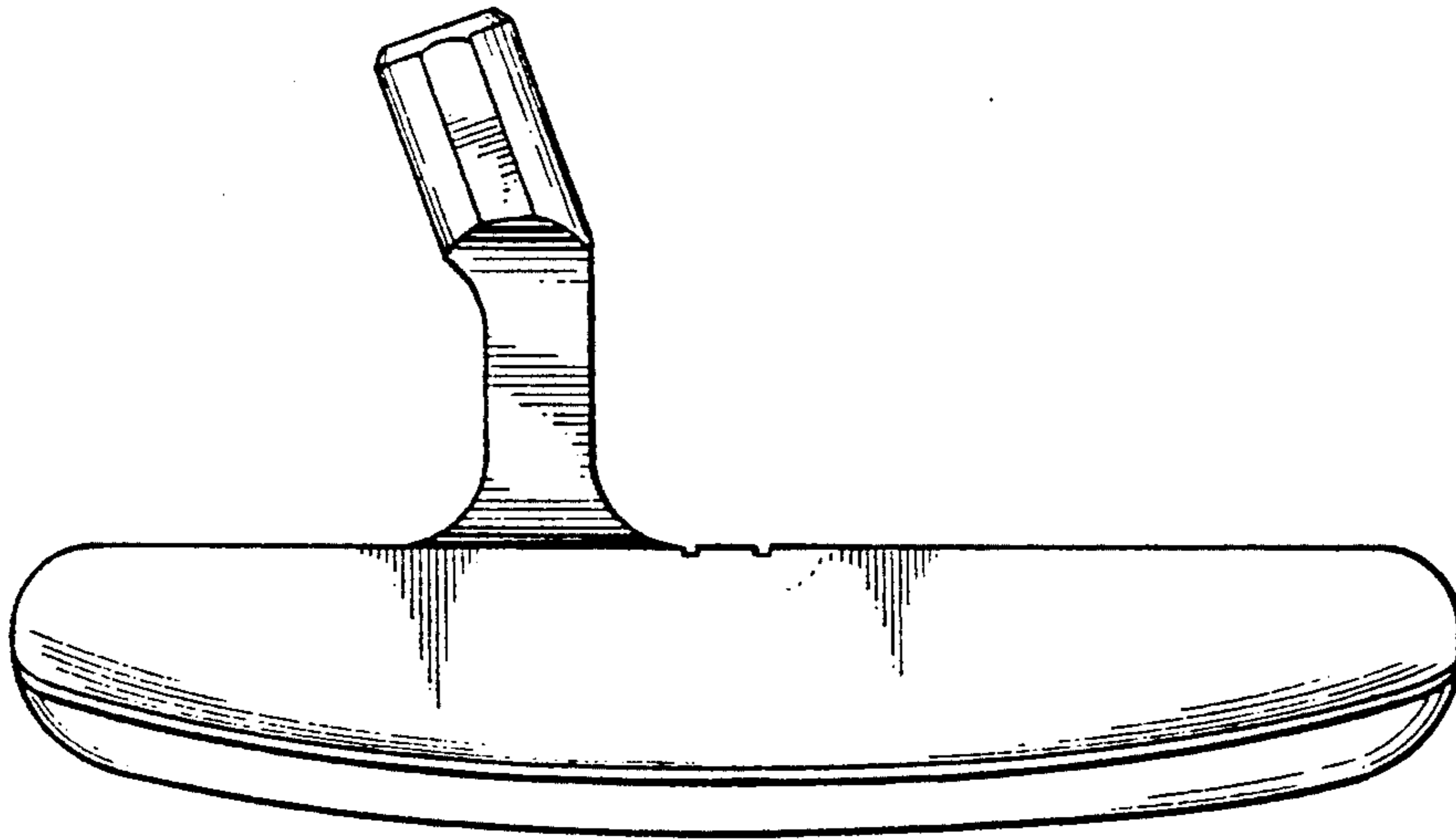
Primary Examiner—Melvin B. Feifer
Attorney, Agent, or Firm—James A. Hinkle

[57] **CLAIM**

The ornamental design for golf putter head, as shown.

DESCRIPTION

FIG. 1 is a rear perspective view of a golf putter head showing my new design;
 FIG. 2 is a top view;
 FIG. 3 is a rear elevation view;
 FIG. 4 is a left side elevation view;
 FIG. 5 is a front elevation view;
 FIG. 6 is a right side elevation view; and,
 FIG. 7 is a bottom view thereof.



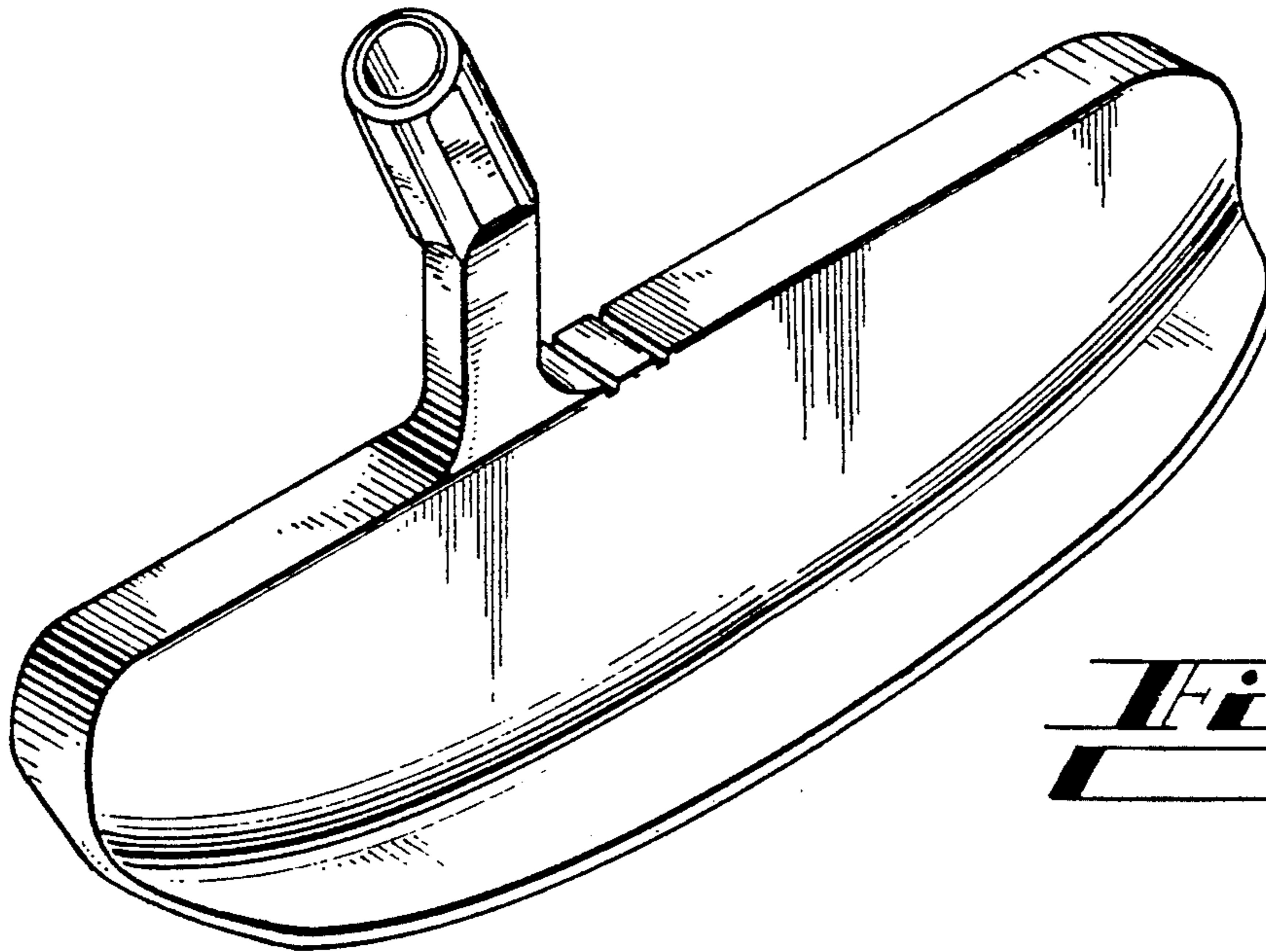


Fig. 1

Fig. 2

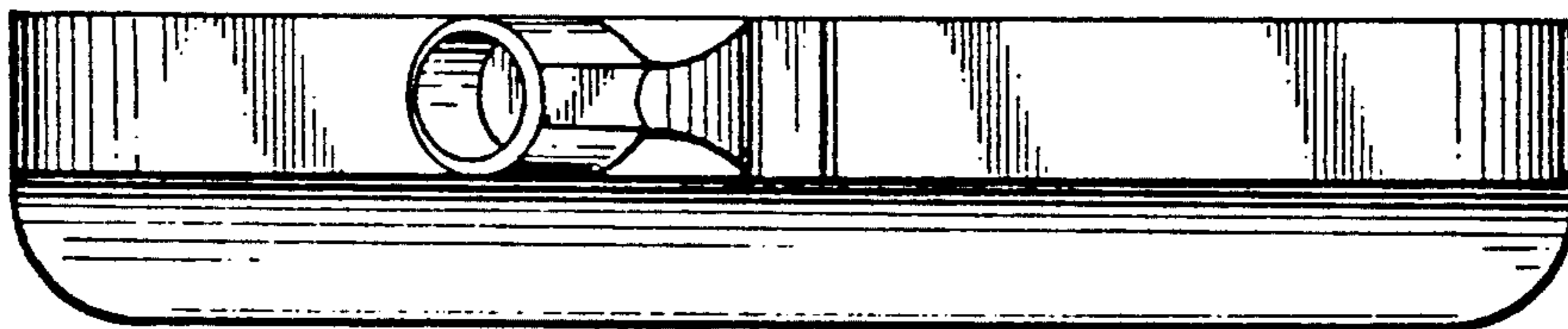


Fig. 3

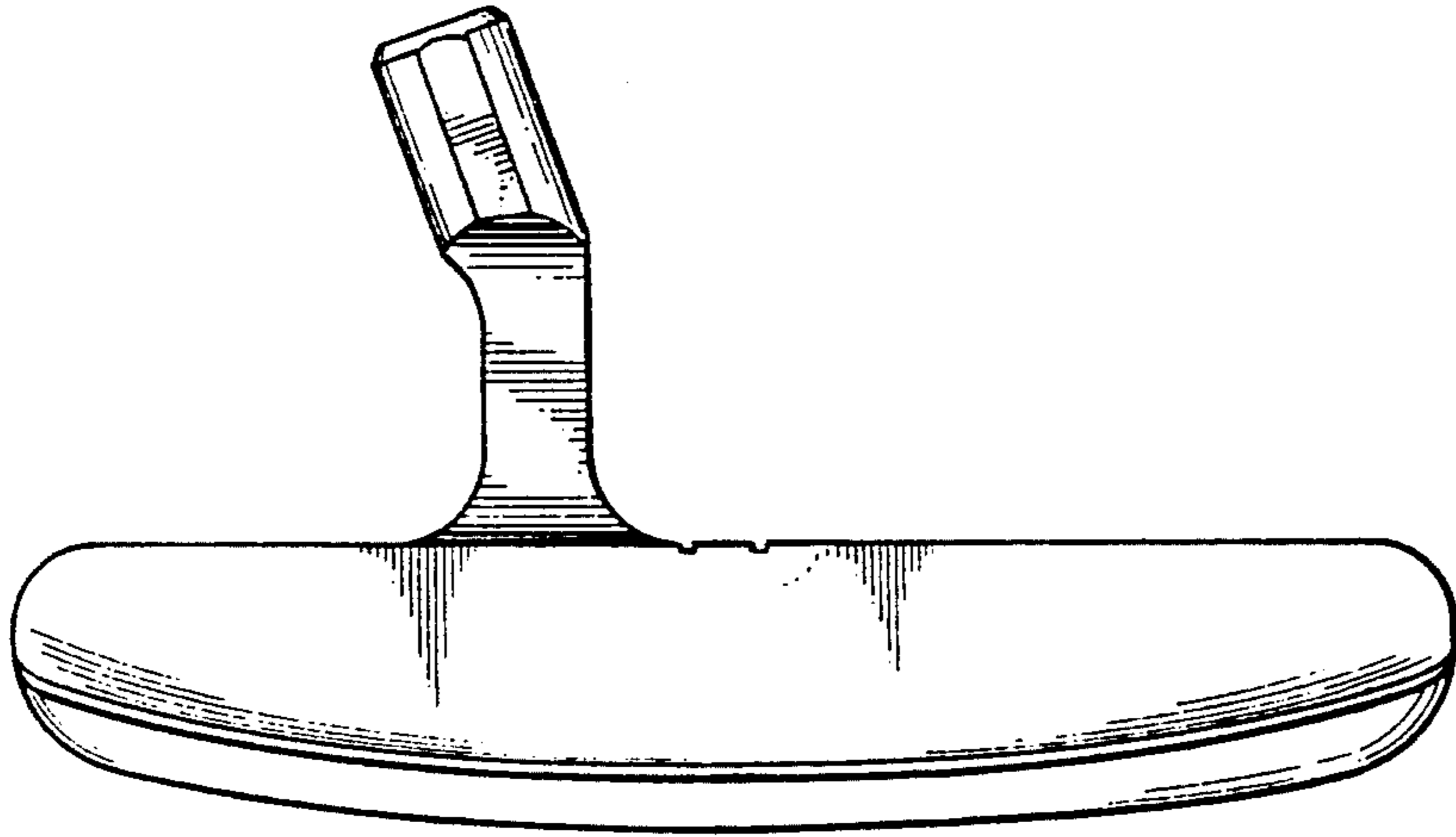


Fig. 4

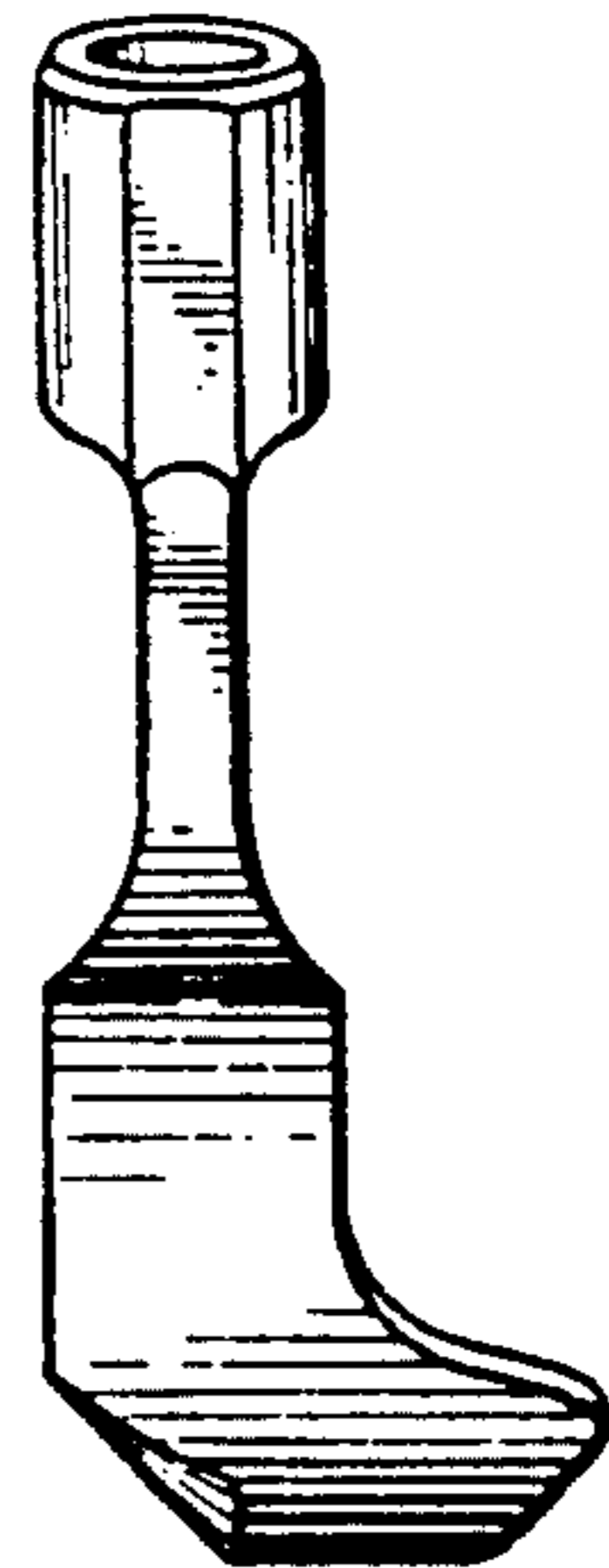
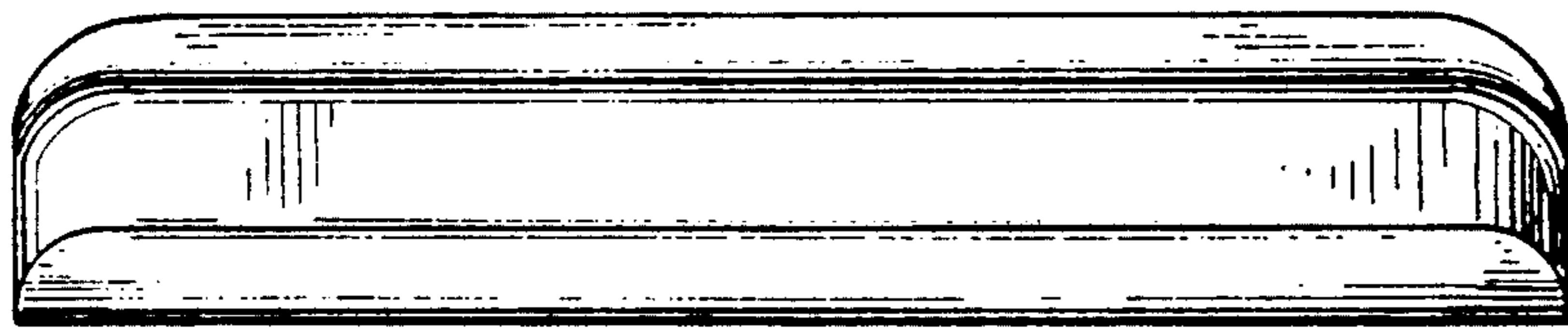
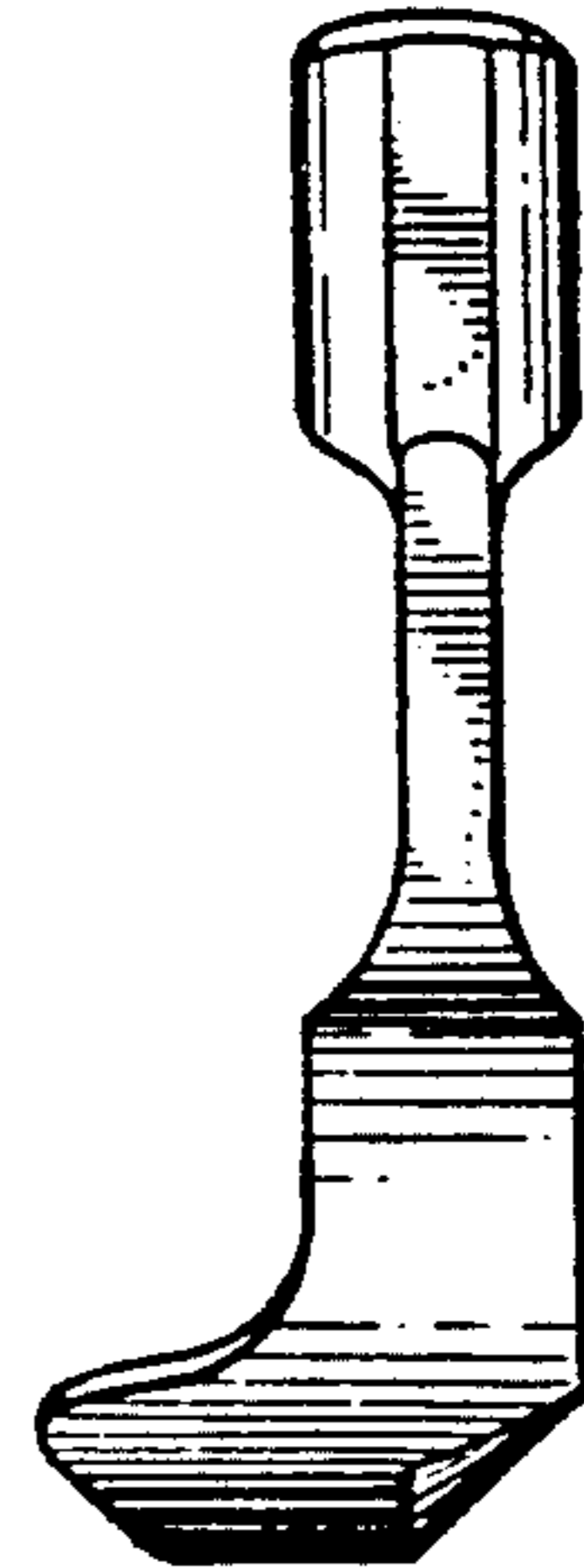


Fig. 7

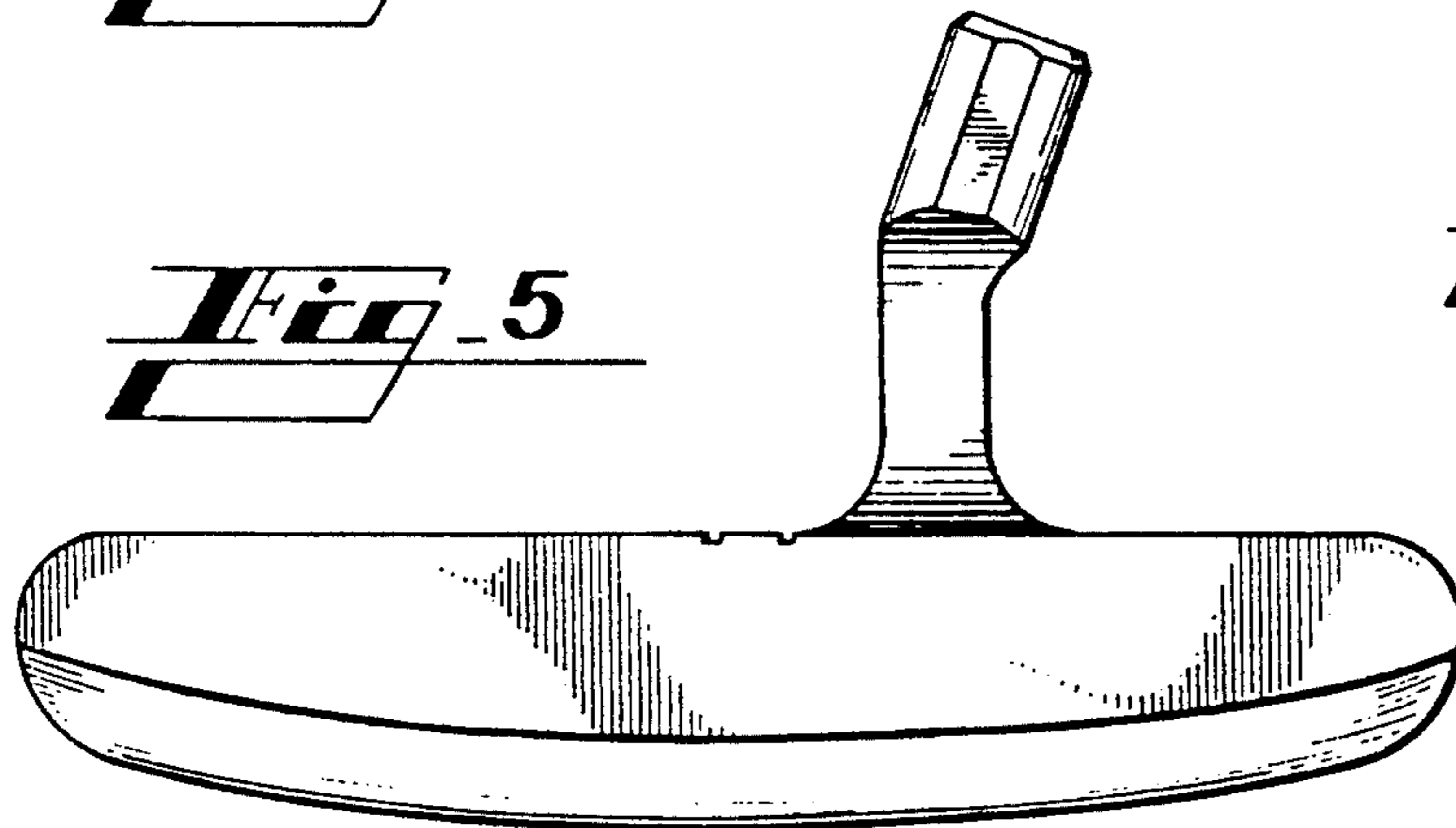


Fig. 6