



US00D345403S

United States Patent [19]

[11] Patent Number: **Des. 345,403**

Sanchez

[45] Date of Patent: **** Mar. 22, 1994**

[54] GOLF CLUB HEAD

[75] Inventor: **Philippe Sanchez**, San Clemente, Calif.

[73] Assignee: **Taylor Made Golf Company**, Carlsbad, Calif.

[**] Term: **14 Years**

[21] Appl. No.: **817,832**

[22] Filed: **Jan. 8, 1992**

[52] U.S. Cl. **D21/214**

[58] Field of Search **273/167 A, 167 H, 174; D21/214**

[56] References Cited

U.S. PATENT DOCUMENTS

D. 307,783	5/1990	Iinuma	D21/214
D. 310,254	8/1990	Take et al.	D21/214
2,041,676	5/1936	Gallagher	273/167 A

OTHER PUBLICATIONS

Golf Digest, Dec. 1989, p. 106, center bottom, First Flight SD901 club.

Primary Examiner—Melvin B. Feifer
Attorney, Agent, or Firm—Pollock, Vande Sande & Priddy

[57] CLAIM

The ornamental design for golf club head, as shown and described.

DESCRIPTION

FIG. 1 is a bottom plan view of the golf club head according to my design.

FIG. 2 is a left side view thereof;

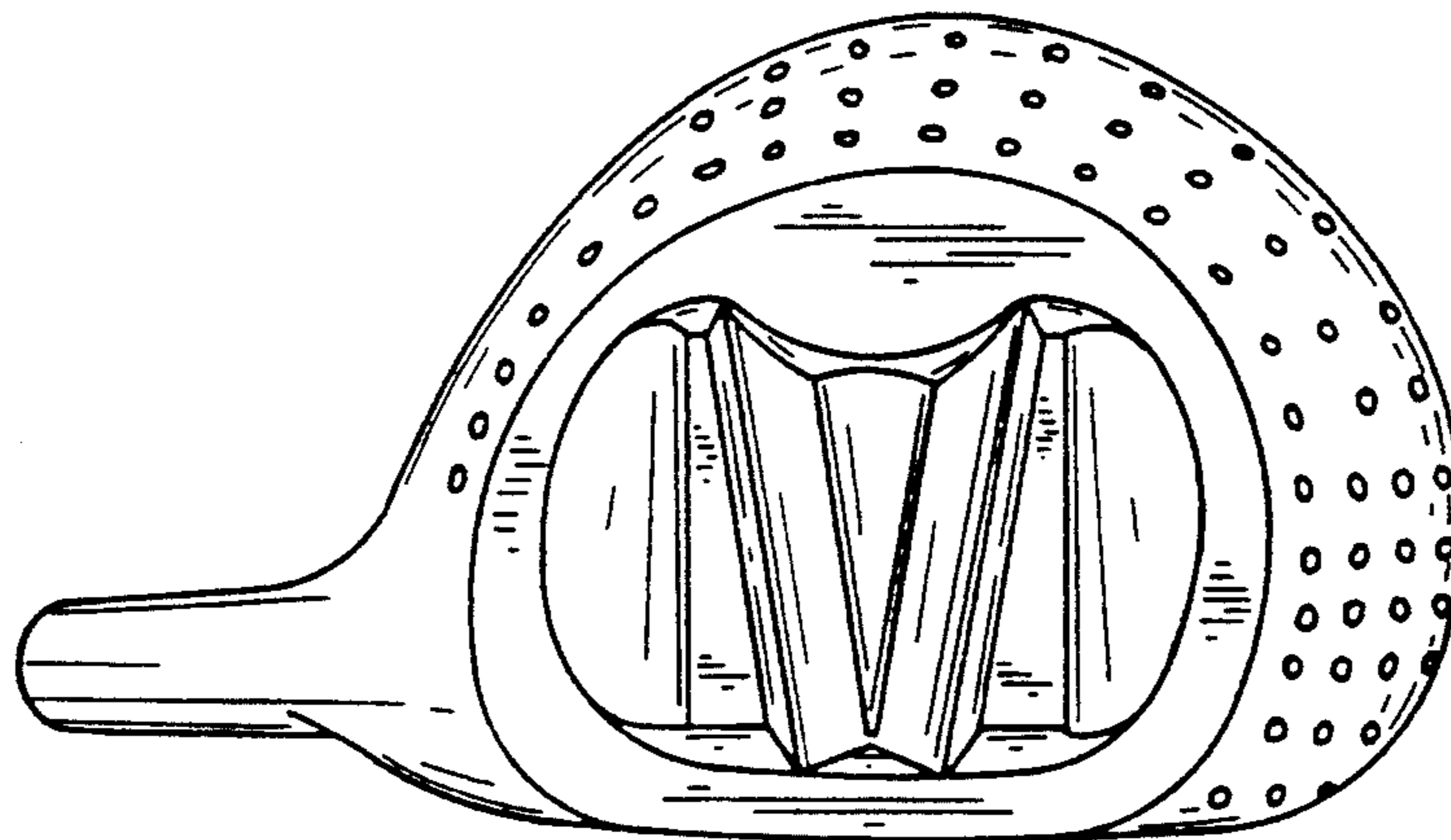
FIG. 3 is a right side view thereof;

FIG. 4 is a top plan view thereof;

FIG. 5 is a bottom perspective view thereof;

FIG. 6 is a rear elevation thereof; and,

FIG. 7 is a front elevation thereof.



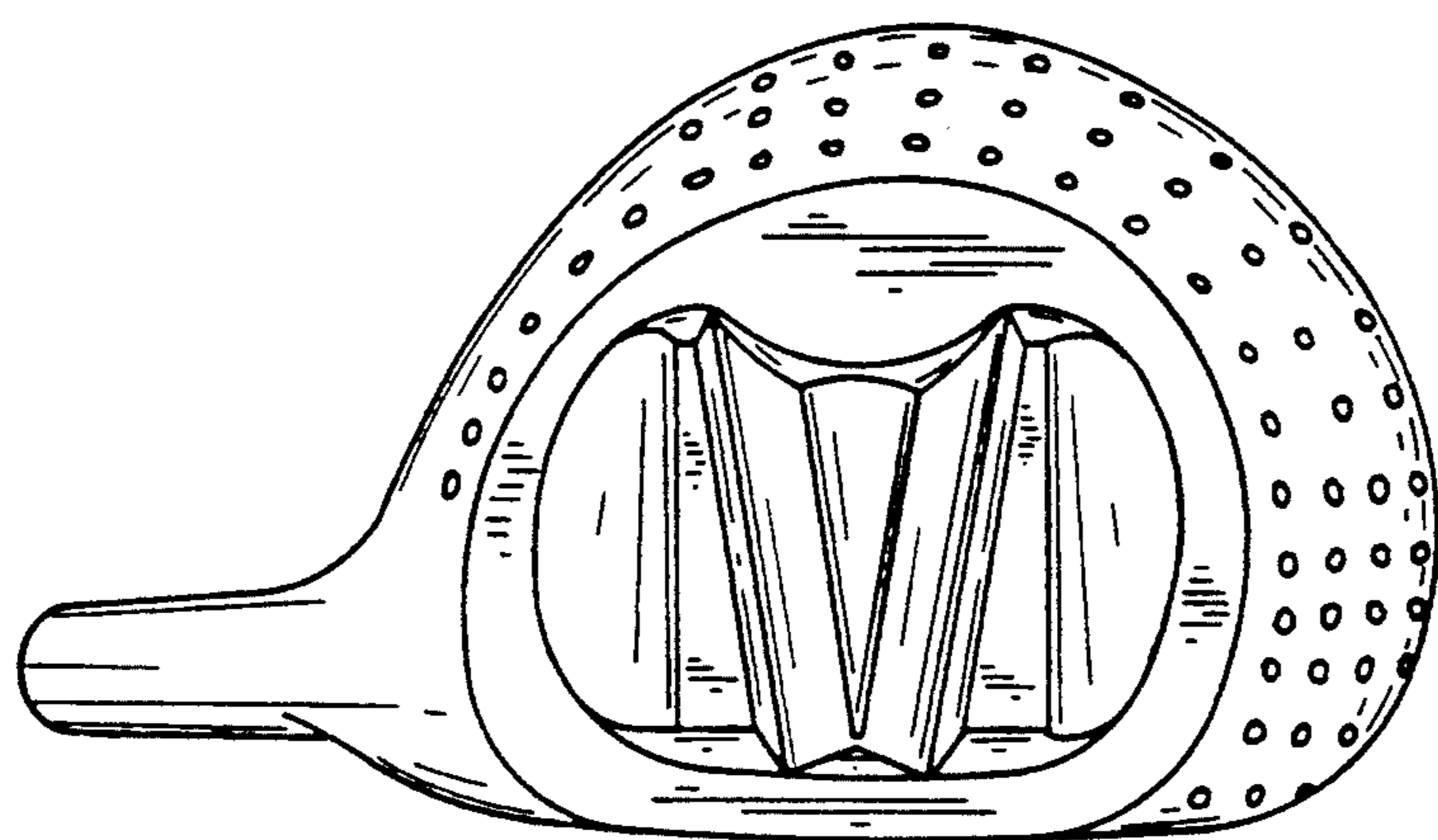


FIG. 1

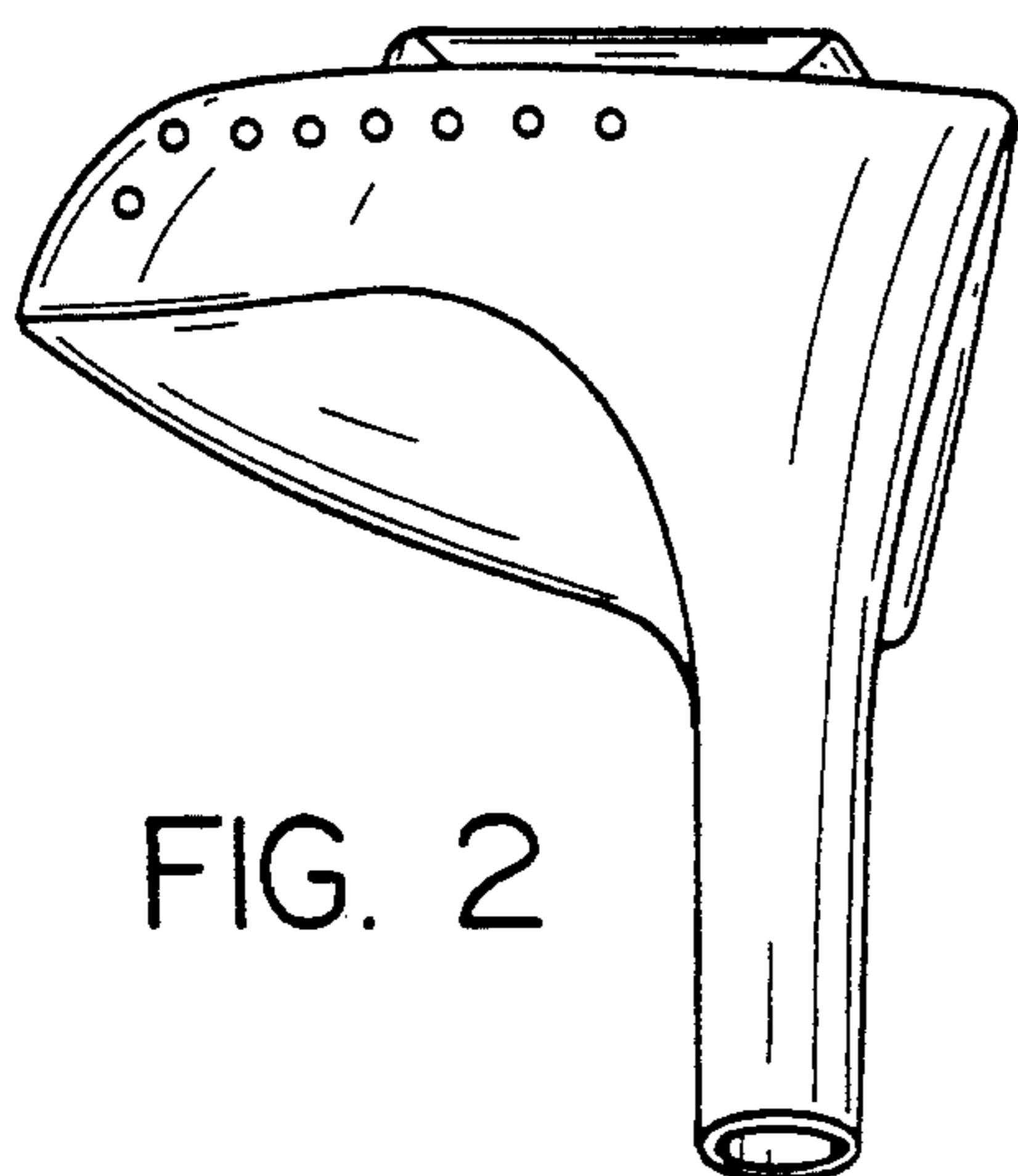


FIG. 2

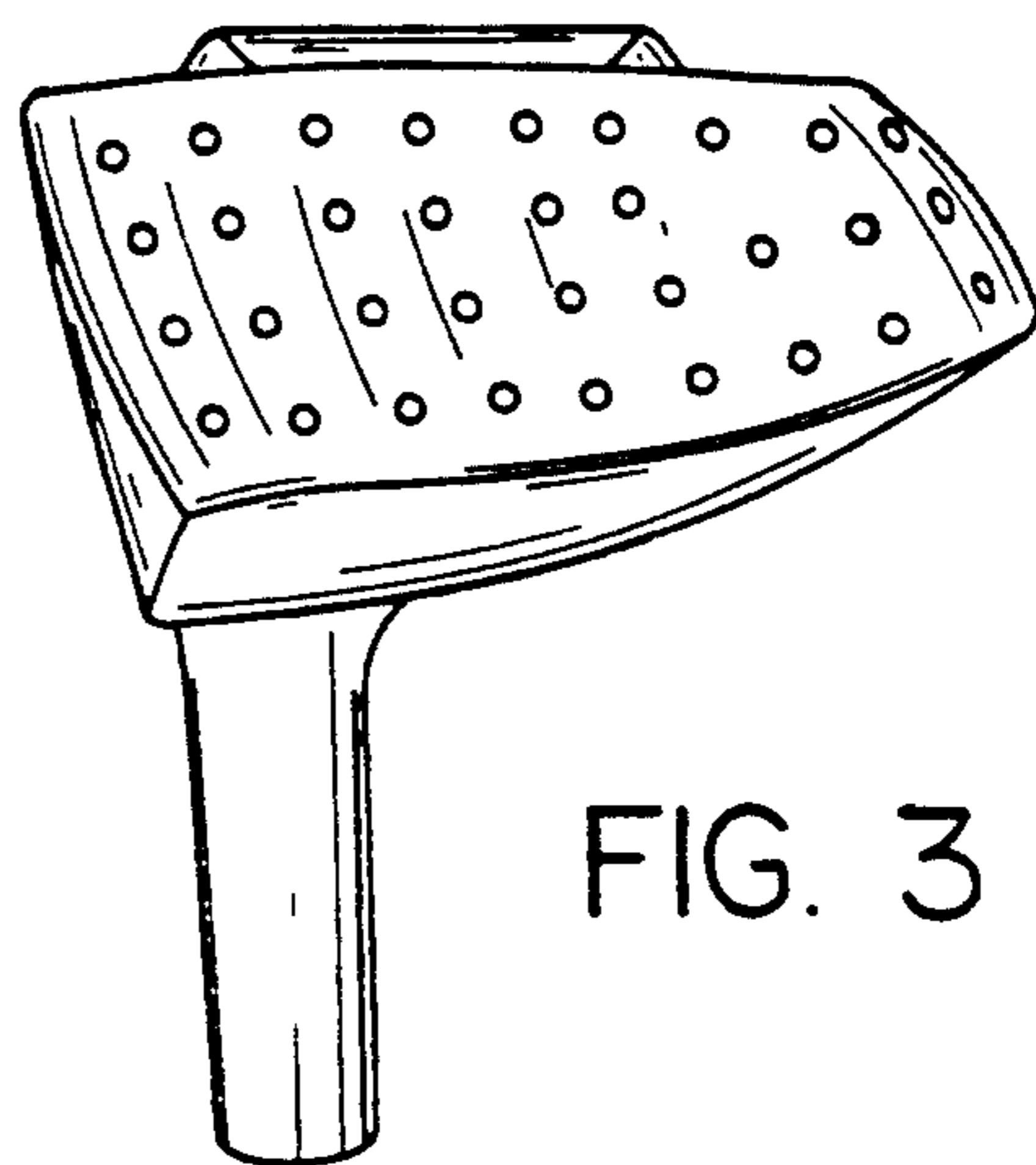


FIG. 3

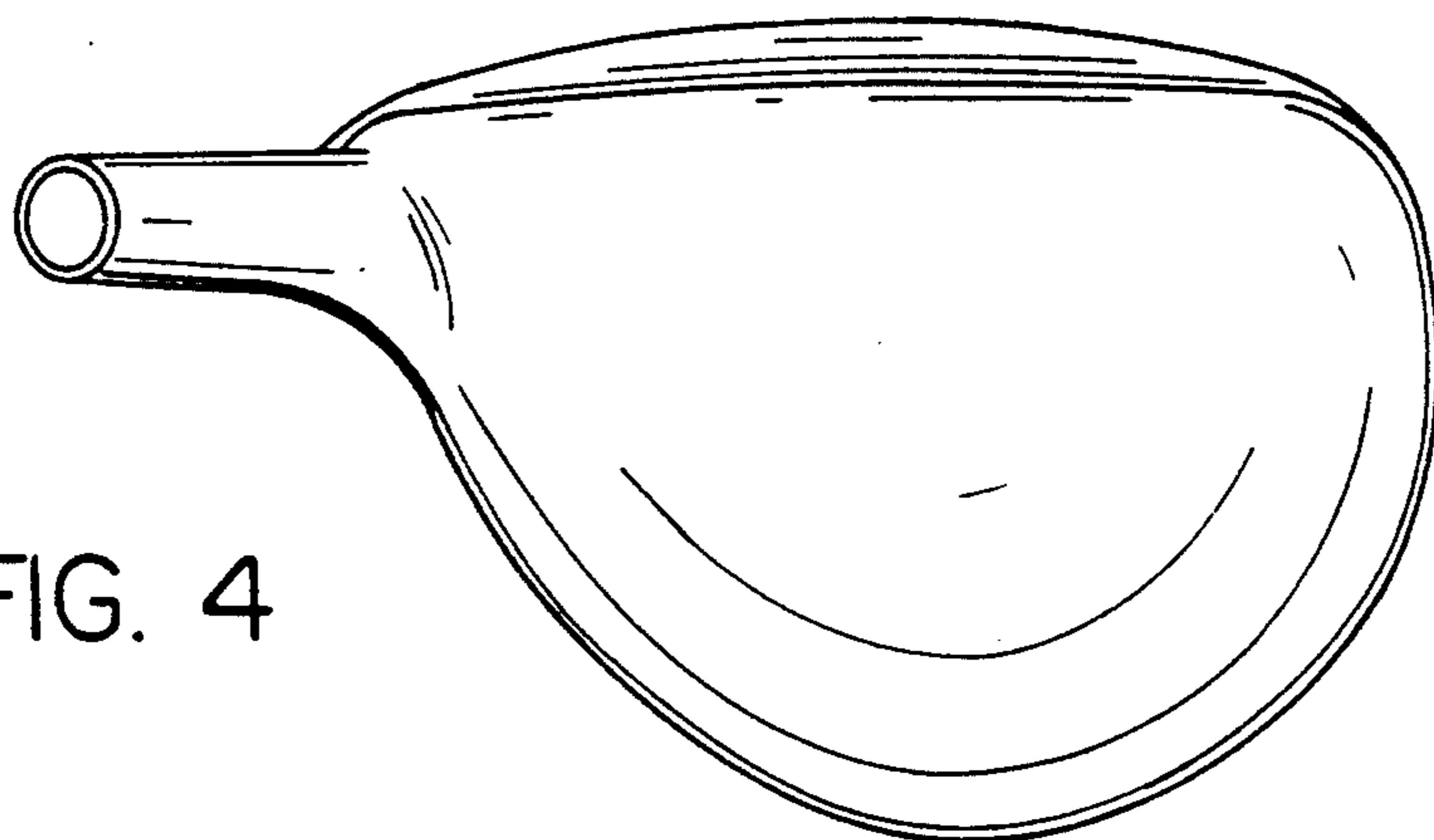


FIG. 4

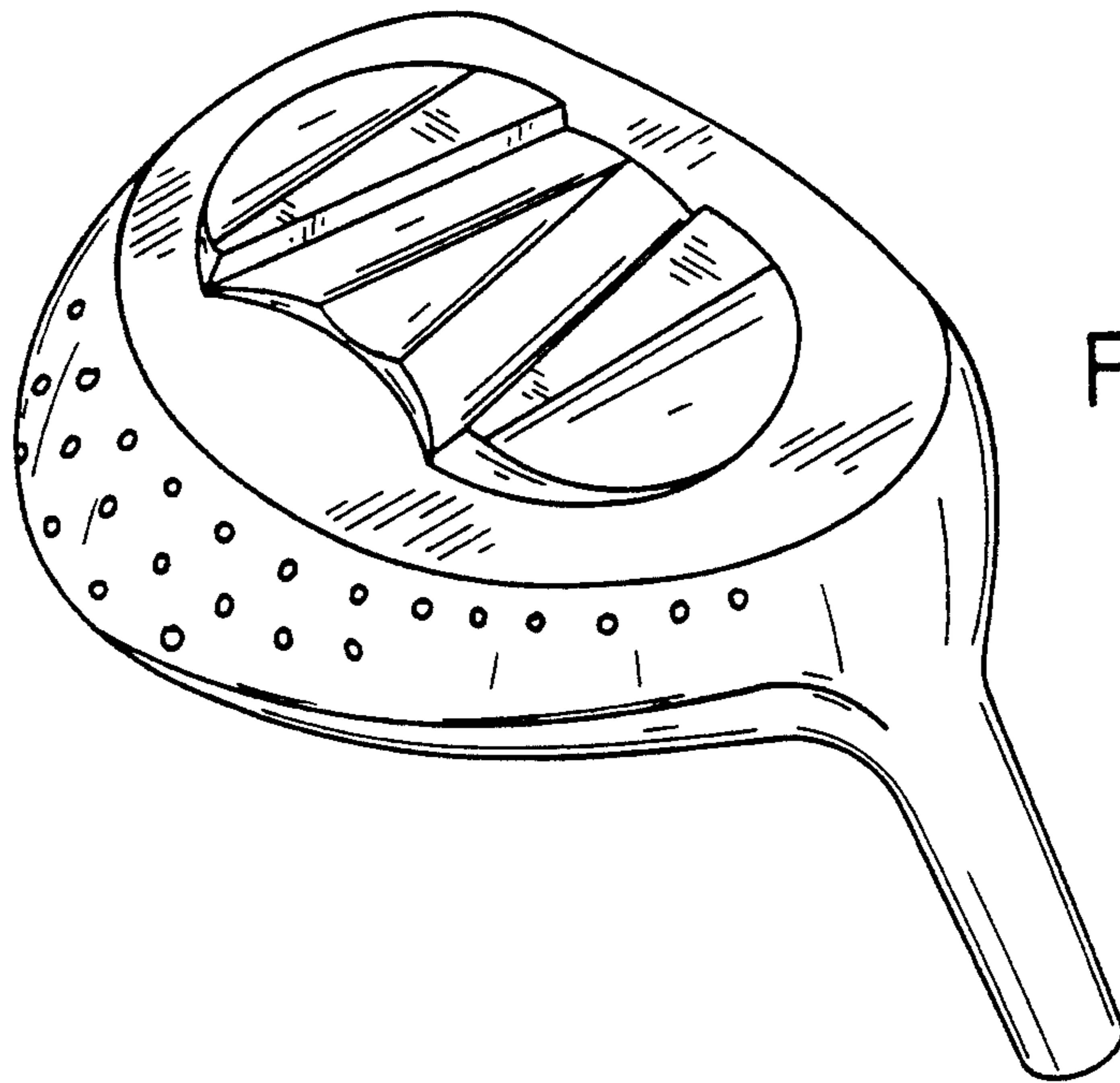


FIG. 5

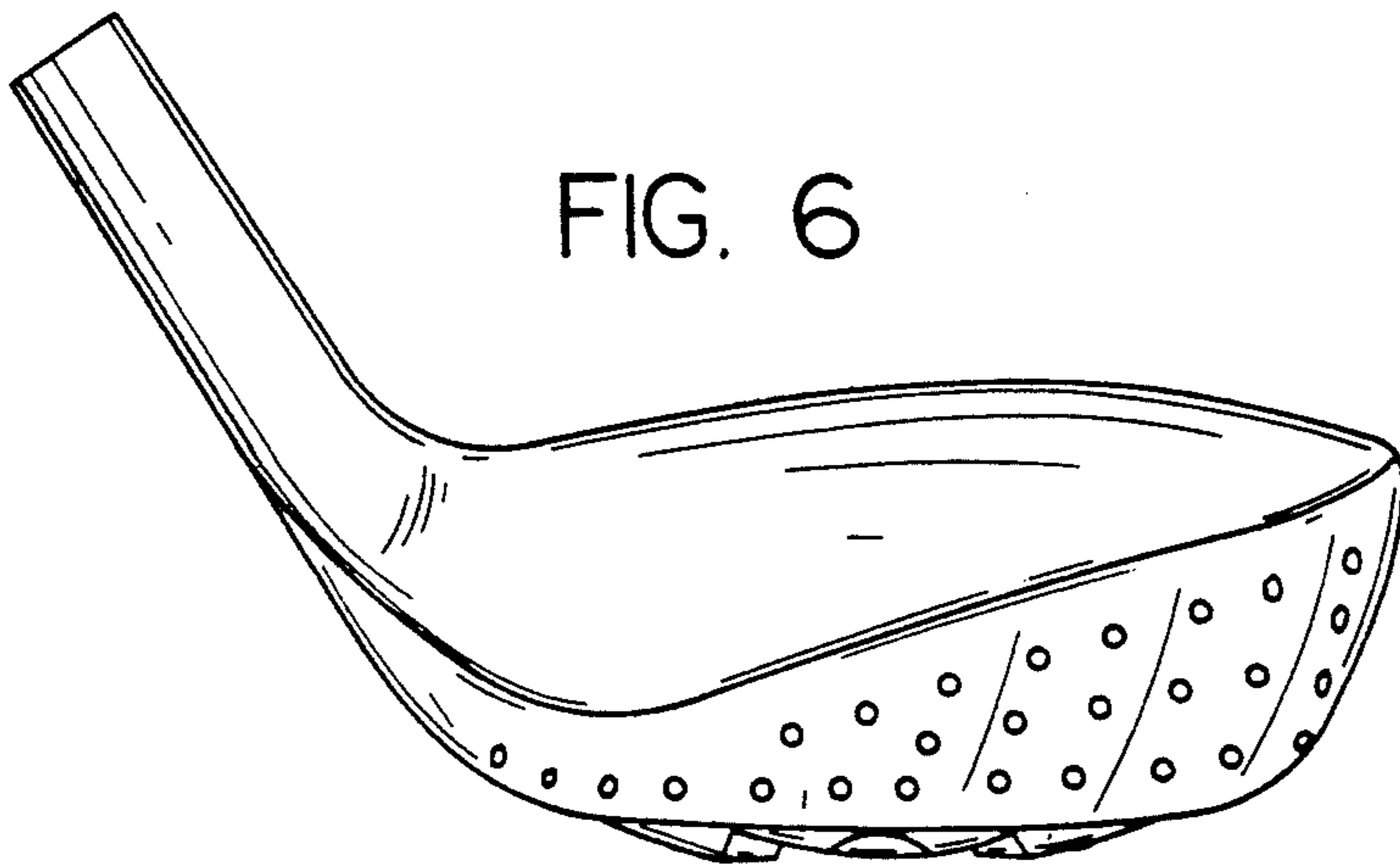


FIG. 6

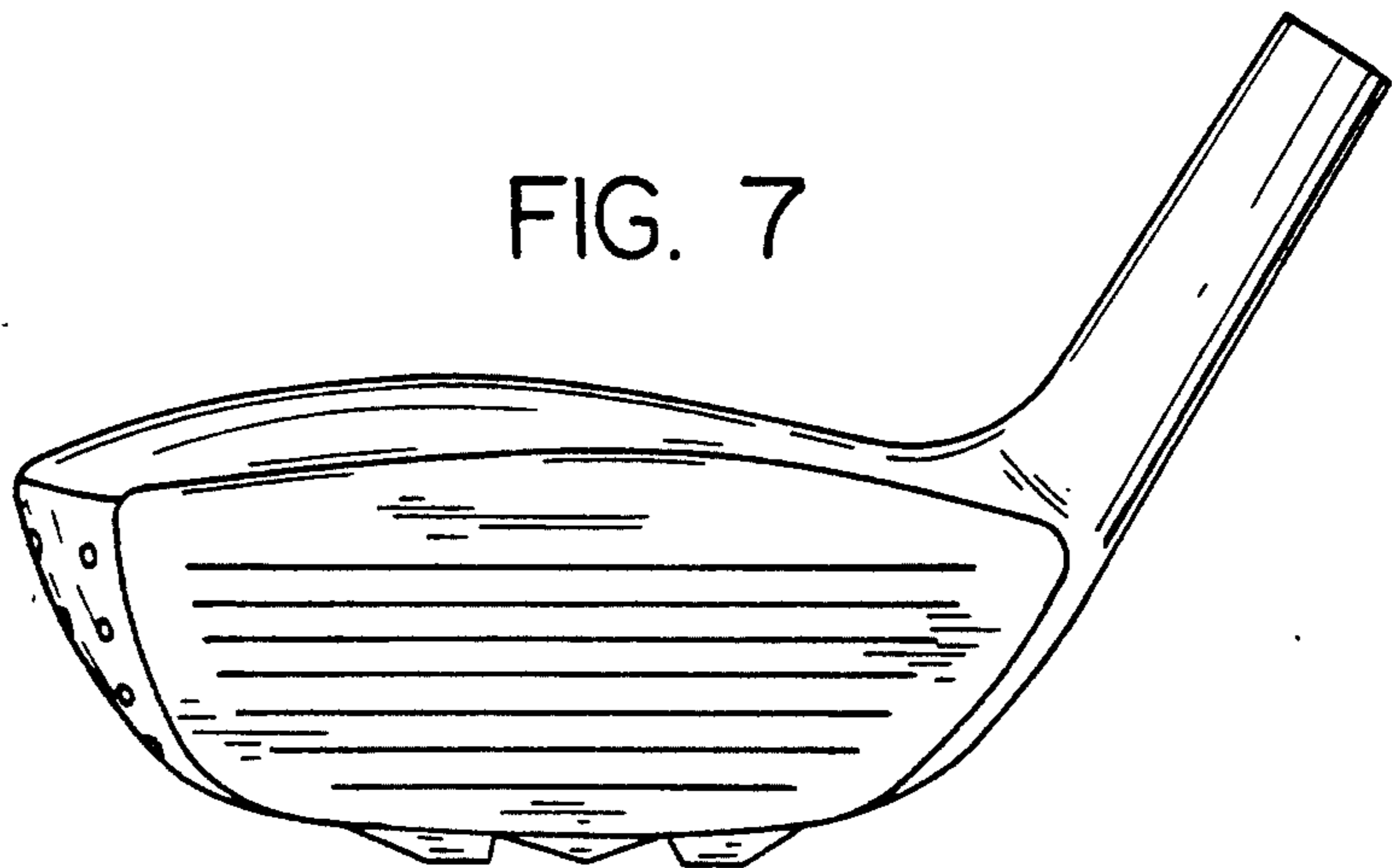


FIG. 7